



US00D962692S

(12) **United States Design Patent**
Wang

(10) **Patent No.:** **US D962,692 S**

(45) **Date of Patent:** **** Sep. 6, 2022**

(54) **CHAIR BACK**

(71) Applicant: **Qiang Wang**, Guangzhou (CN)

(72) Inventor: **Qiang Wang**, Guangzhou (CN)

(**) Term: **15 Years**

(21) Appl. No.: **29/790,419**

(22) Filed: **Nov. 25, 2021**

(51) **LOC (13) Cl.** **06-06**

(52) **U.S. Cl.**

USPC **D6/716.4**

(58) **Field of Classification Search**

USPC D6/334-336, 364, 365, 366, 367, 374,
D6/379, 380, 716, 716.1, 716.4

CPC A47C 7/004; A47C 7/006; A47C 7/18;
A47C 7/24; A47C 7/282; A47C 7/285;
A47C 7/40; A47C 7/46; A47C 7/462

See application file for complete search history.

(56) **References Cited**

U.S. PATENT DOCUMENTS

D516,828 S *	3/2006	Tsai	D6/366
D558,492 S *	1/2008	Lu	D6/366
D573,361 S *	7/2008	Kung	D6/366
D651,424 S *	1/2012	Lee	D6/366
D876,142 S *	2/2020	Cassaday	D6/716.4

D910,359 S	2/2021	Wu et al.	
D916,478 S *	4/2021	Tu D6/366
D919,997 S	5/2021	Cardinale et al.	
D927,909 S *	8/2021	Guo D6/716.4
D929,165 S *	8/2021	Guo D6/716.4
D937,593 S *	12/2021	Ni D6/366
D953,085 S *	5/2022	Ruan D6/716.4

* cited by examiner

Primary Examiner — Mimoso De

(74) *Attorney, Agent, or Firm* — Jeenam Park

(57) **CLAIM**

The ornamental design for an chair back, as shown and described.

DESCRIPTION

FIG. 1 is a perspective view of a chair back, showing my new design;

FIG. 2 is another perspective view thereof;

FIG. 3 is a front view thereof;

FIG. 4 is a rear view thereof;

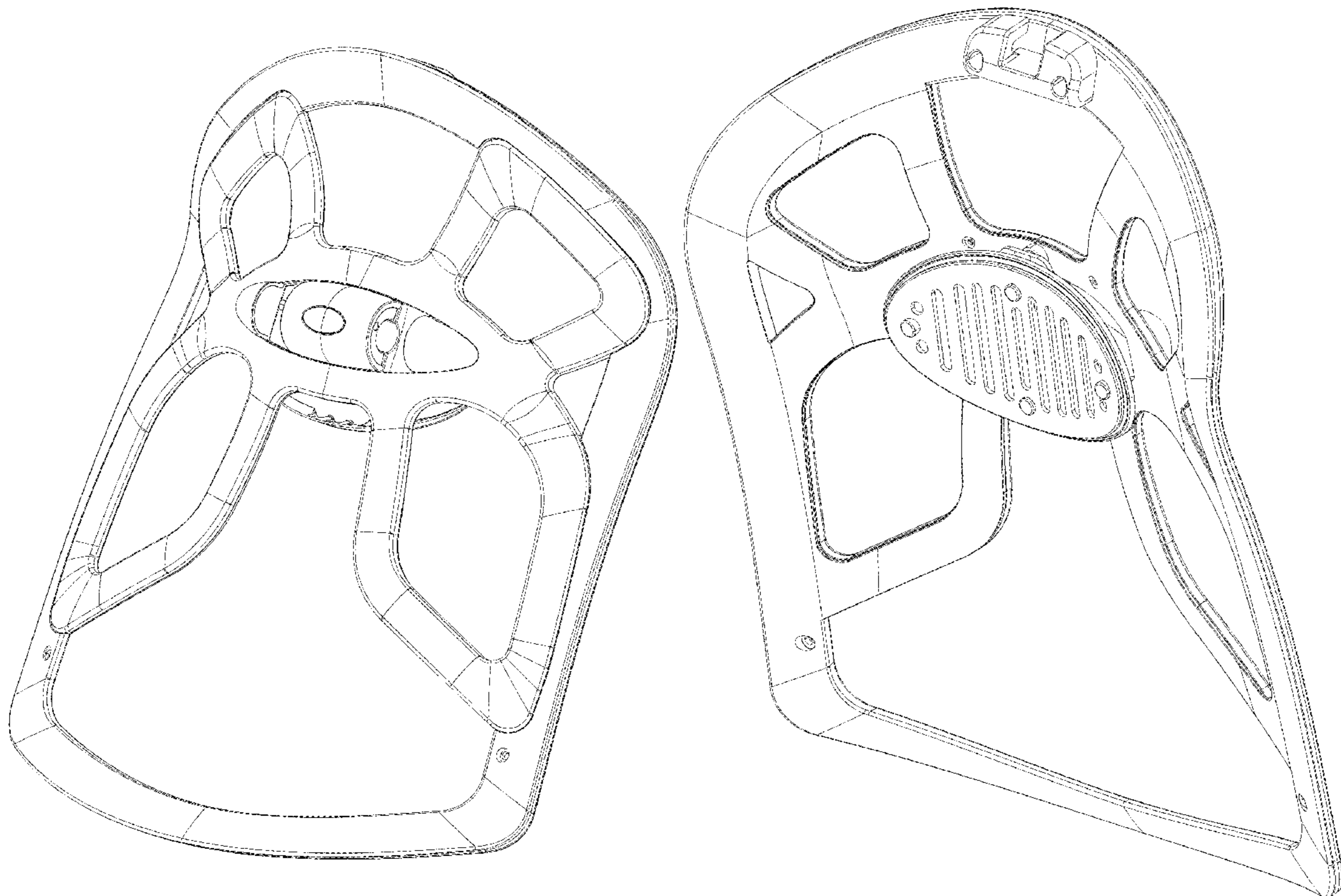
FIG. 5 is a left side view thereof;

FIG. 6 is a right side view thereof;

FIG. 7 is a top plan view thereof; and,

FIG. 8 is a bottom plan view thereof.

1 Claim, 8 Drawing Sheets



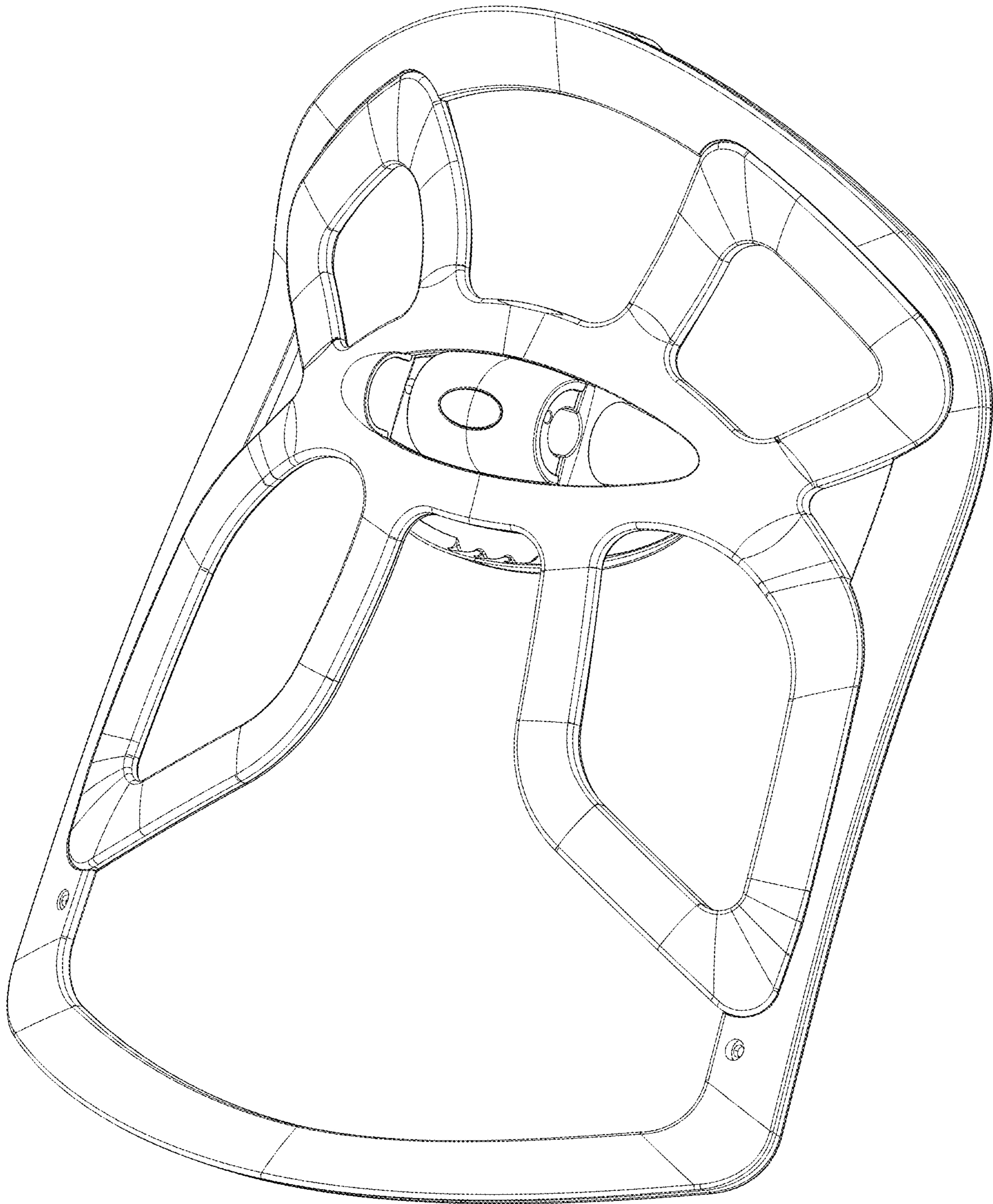


FIG. 1

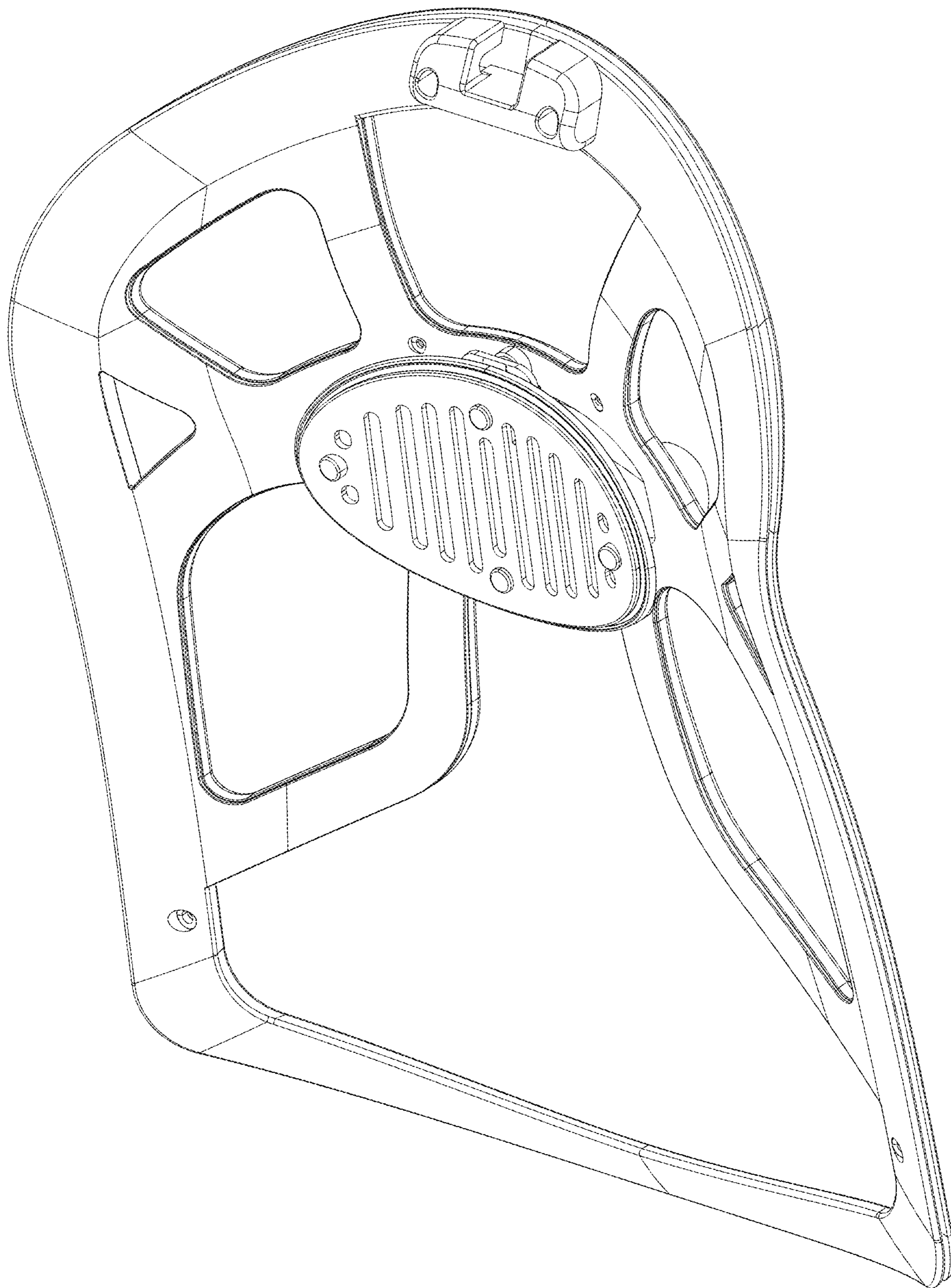


FIG. 2

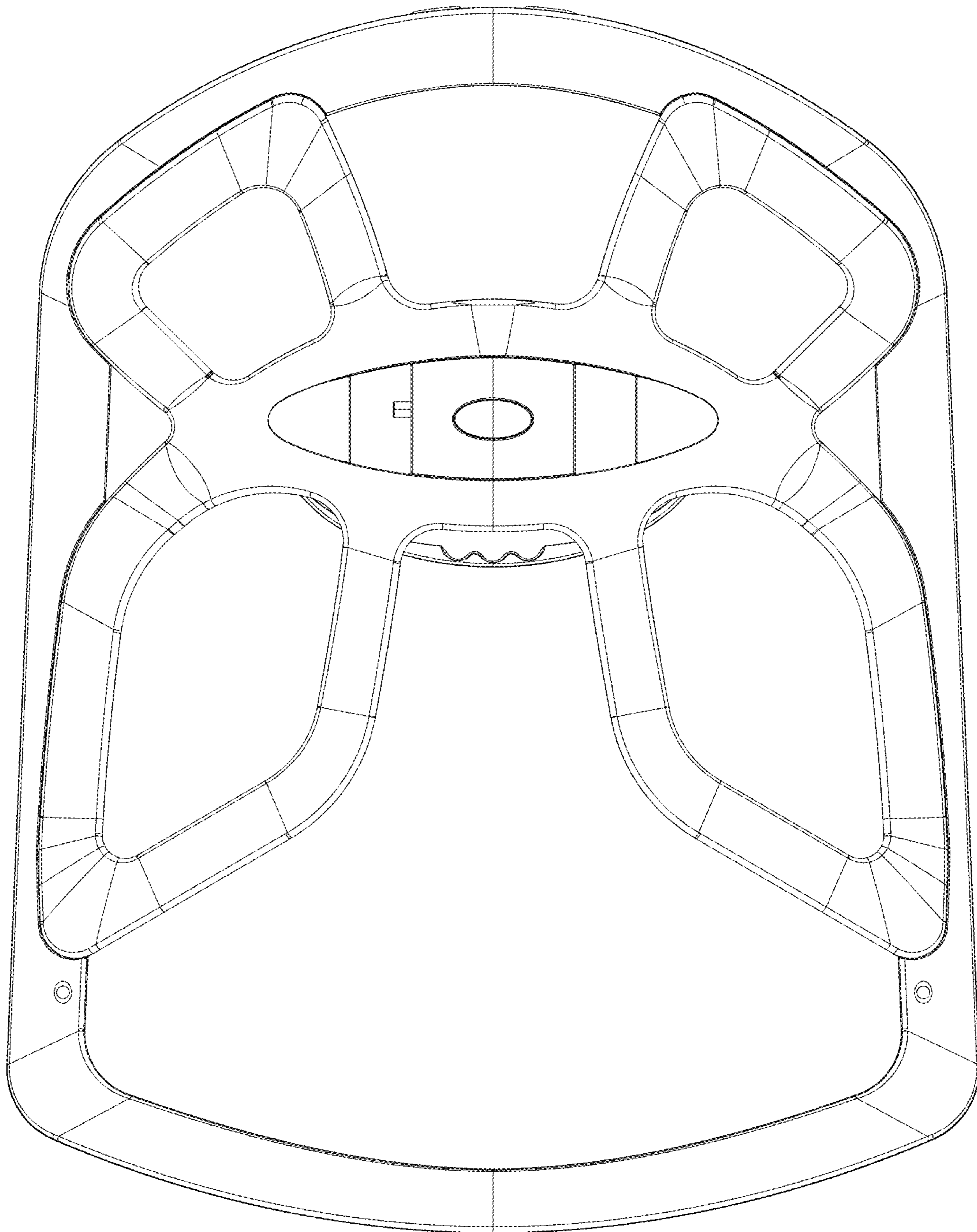


FIG. 3

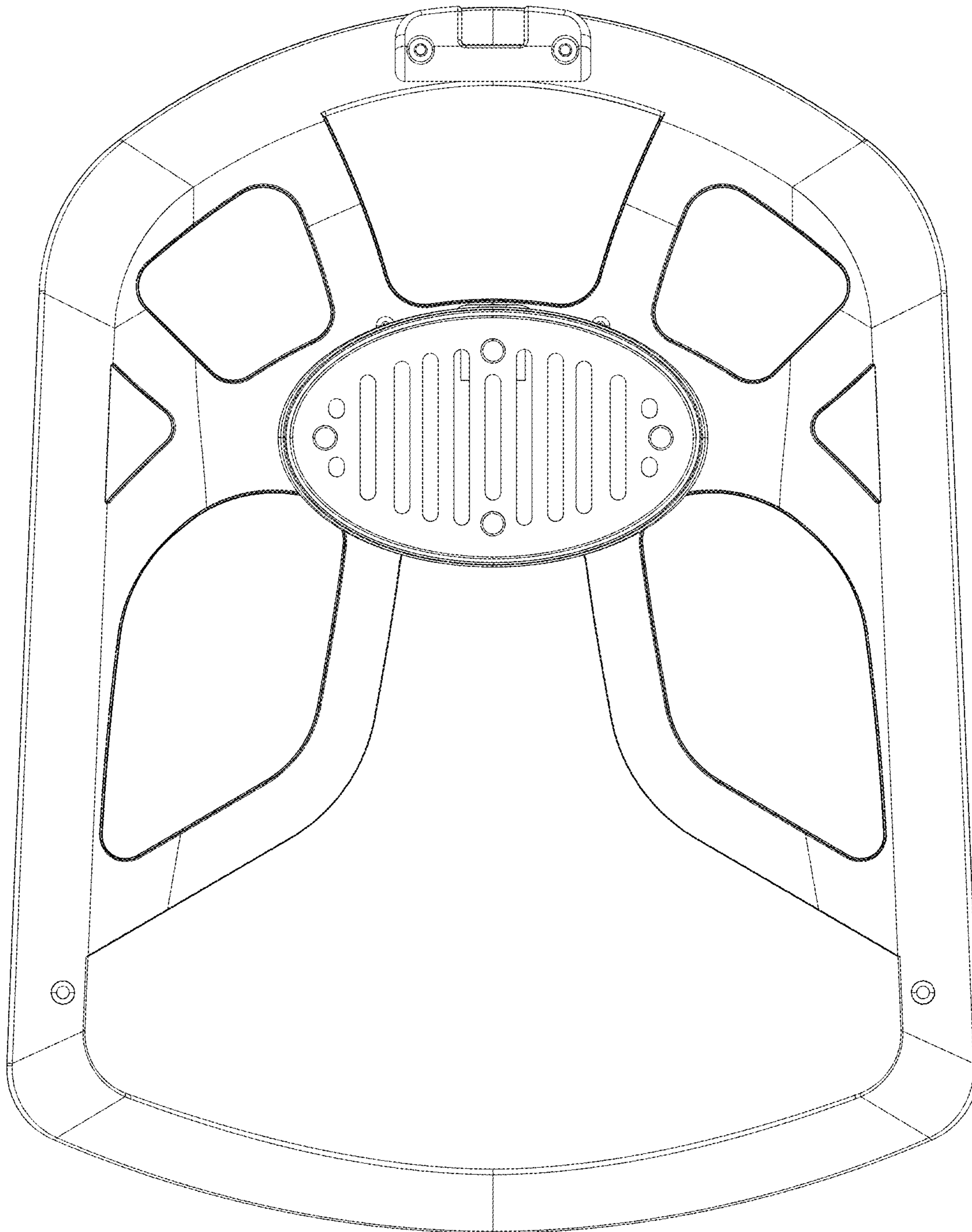


FIG. 4

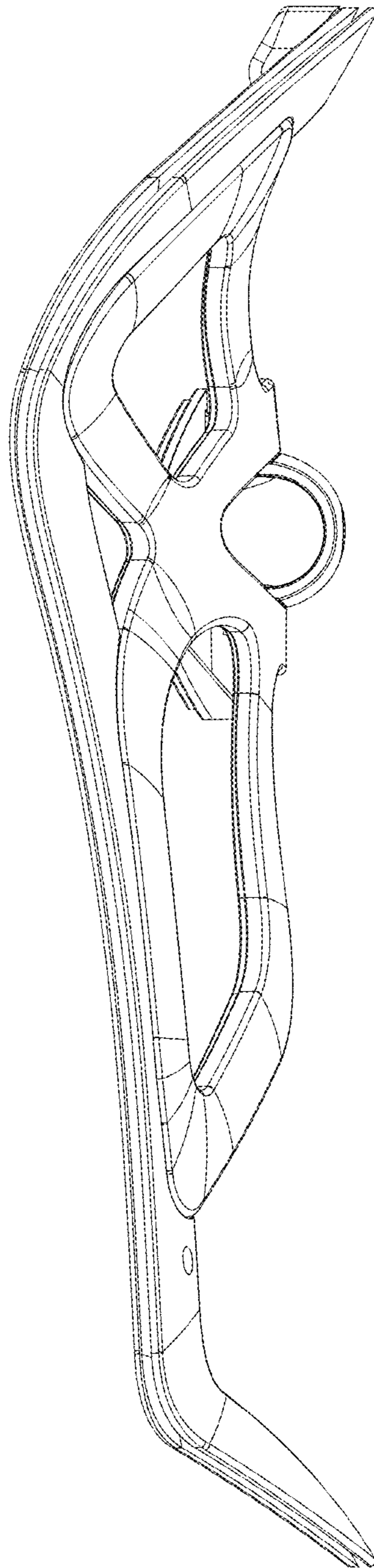


FIG. 5

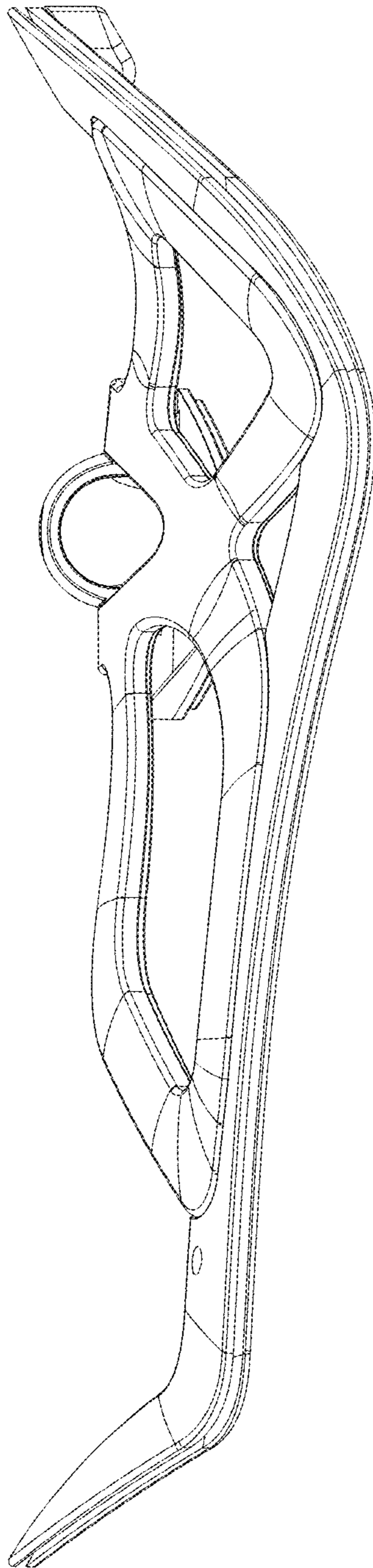


FIG. 6

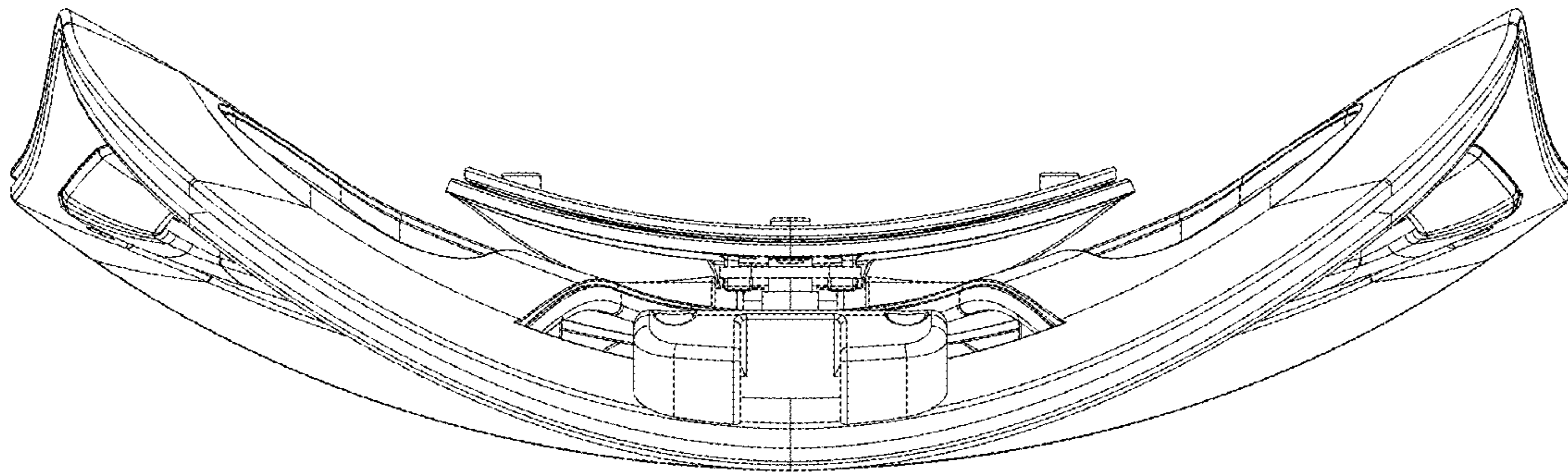


FIG. 7

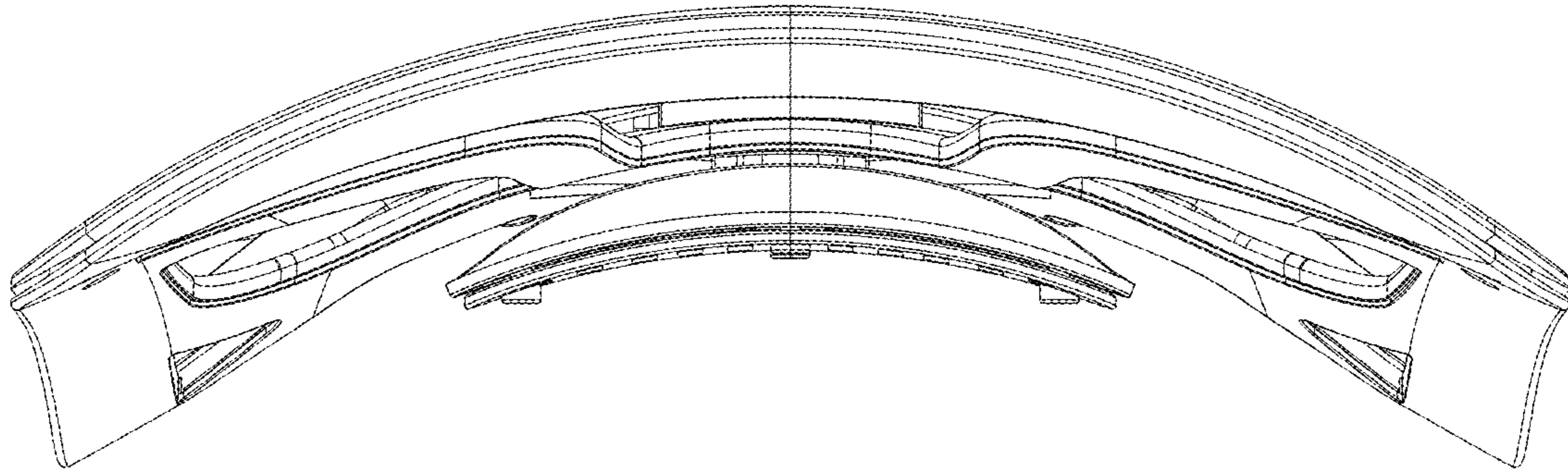


FIG. 8