



US00D962691S

(12) **United States Design Patent**
Xiao

(10) **Patent No.:** **US D962,691 S**

(45) **Date of Patent:** **** Sep. 6, 2022**

(54) **CHAIR**

(71) Applicant: **Anji Judor Furniture Co., Ltd.,**
Huzhou (CN)

(72) Inventor: **Qi Xiao,** Huzhou (CN)

(73) Assignee: **Anji Judor Furniture Co., Ltd.,**
Zhejiang (CN)

(**) Term: **15 Years**

(21) Appl. No.: **29/772,838**

(22) Filed: **Mar. 4, 2021**

(30) **Foreign Application Priority Data**

Feb. 2, 2021 (CN) 202130074748.7

(51) **LOC (13) Cl.** **06-01**

(52) **U.S. Cl.**
USPC **D6/716.1**

(58) **Field of Classification Search**
USPC D6/334, 344, 348, 356, 367, 716.1
CPC A47C 1/031; A47C 1/036; A47C 3/02;
A47C 3/021; A47C 3/023; A47C 3/025;
A47C 3/026; A47C 3/029; A47C 3/12;
A47C 3/02; A47C 7/002; A47C 7/18;
A47C 7/24; A47C 7/46; A47C 7/462

See application file for complete search history.

(56) **References Cited**

U.S. PATENT DOCUMENTS

D336,791 S *	6/1993	Stidd	D12/318
D566,437 S *	4/2008	Egger	D6/366
D576,413 S *	9/2008	Arnaout	D6/356
D651,002 S *	12/2011	Fleming	D6/356
D655,096 S *	3/2012	Shindou	D6/356
D688,888 S *	9/2013	Huang	D6/366
D706,048 S *	6/2014	Wang	D6/366
D953,050 S *	5/2022	Bhakta	D6/366

* cited by examiner

Primary Examiner — R. Johnson

(74) *Attorney, Agent, or Firm* — Bentley J. Olive

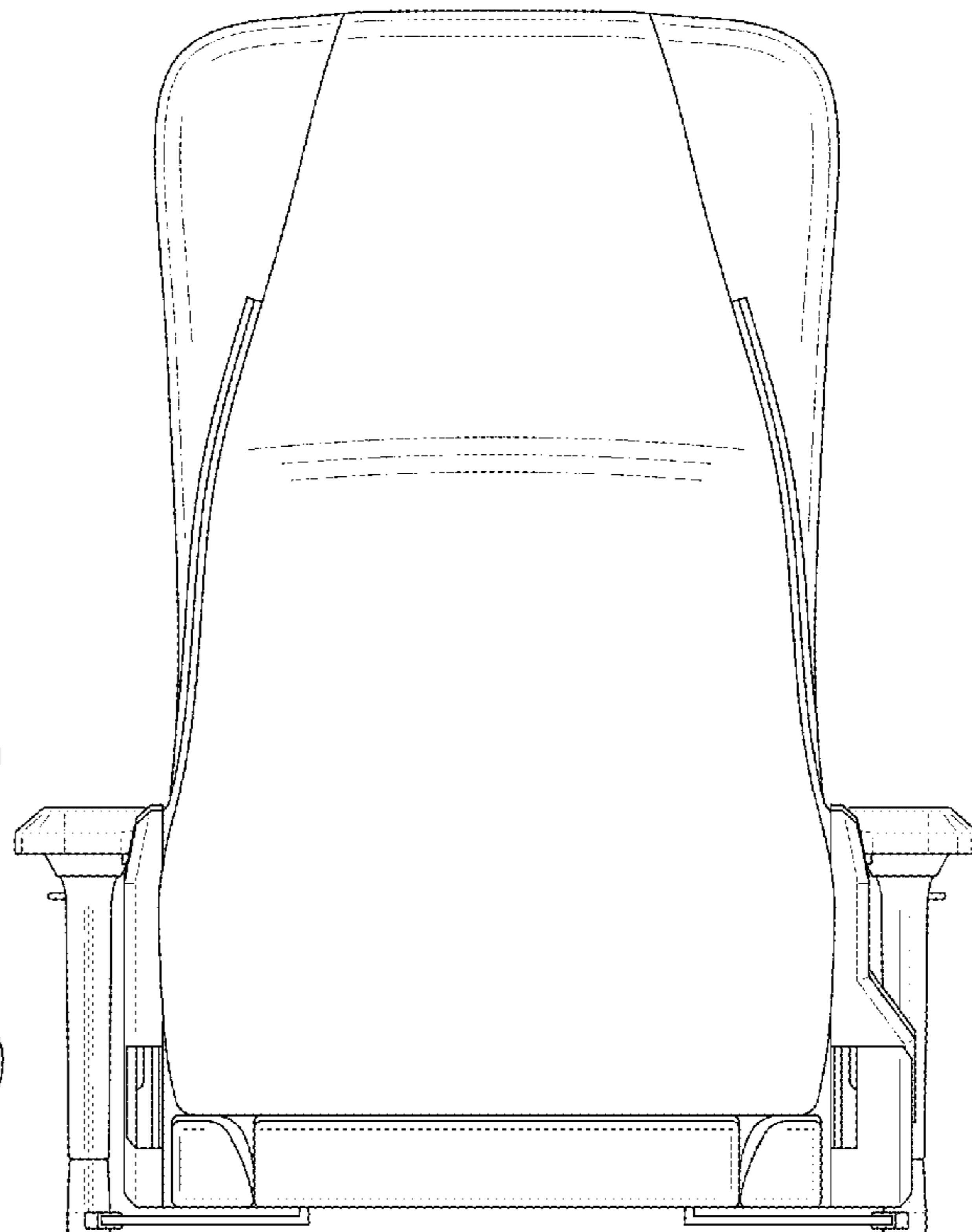
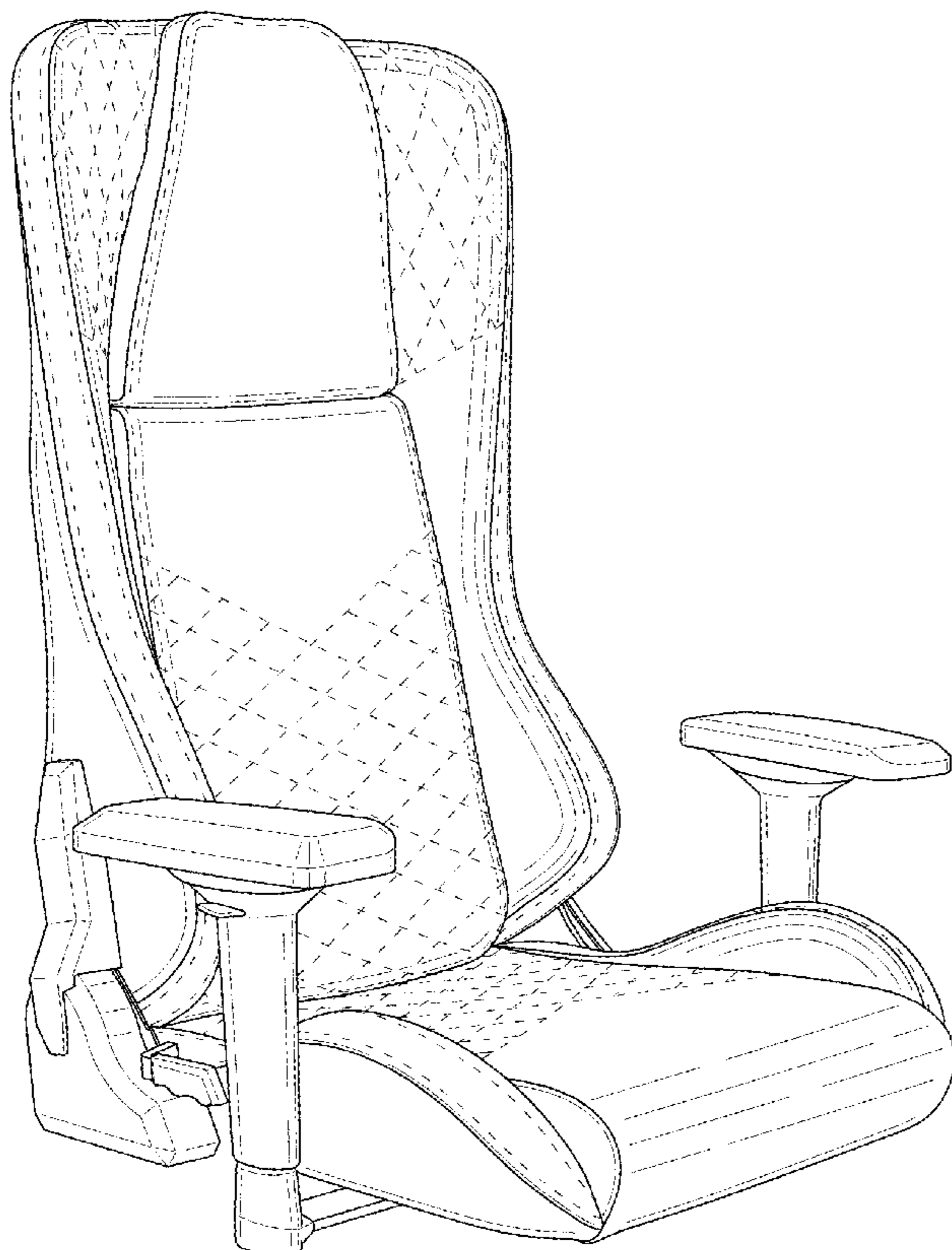
(57) **CLAIM**

The ornamental design for a chair, as shown and described.

DESCRIPTION

FIG. 1 is a front perspective view of a chair;
FIG. 2 is a front view thereof;
FIG. 3 is a rear view thereof;
FIG. 4 is a left side view thereof;
FIG. 5 is a right side view thereof; and,
FIG. 6 is a top view thereof.
The broken lines in the drawings depict unclaimed subject matter and form no part of the claimed design. The bottom view is not seen during normal use. Therefore, it is omitted.

1 Claim, 6 Drawing Sheets



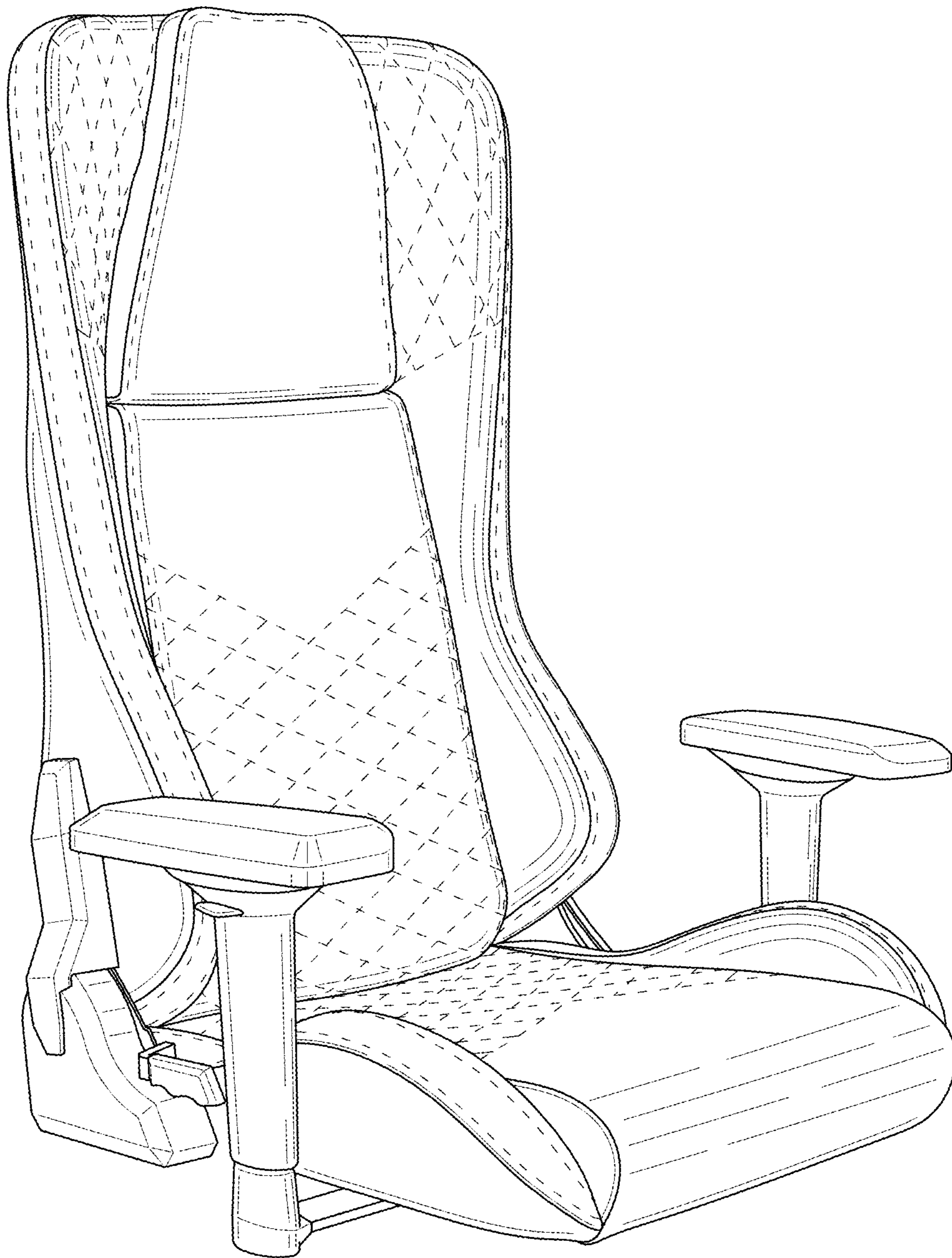


FIG. 1

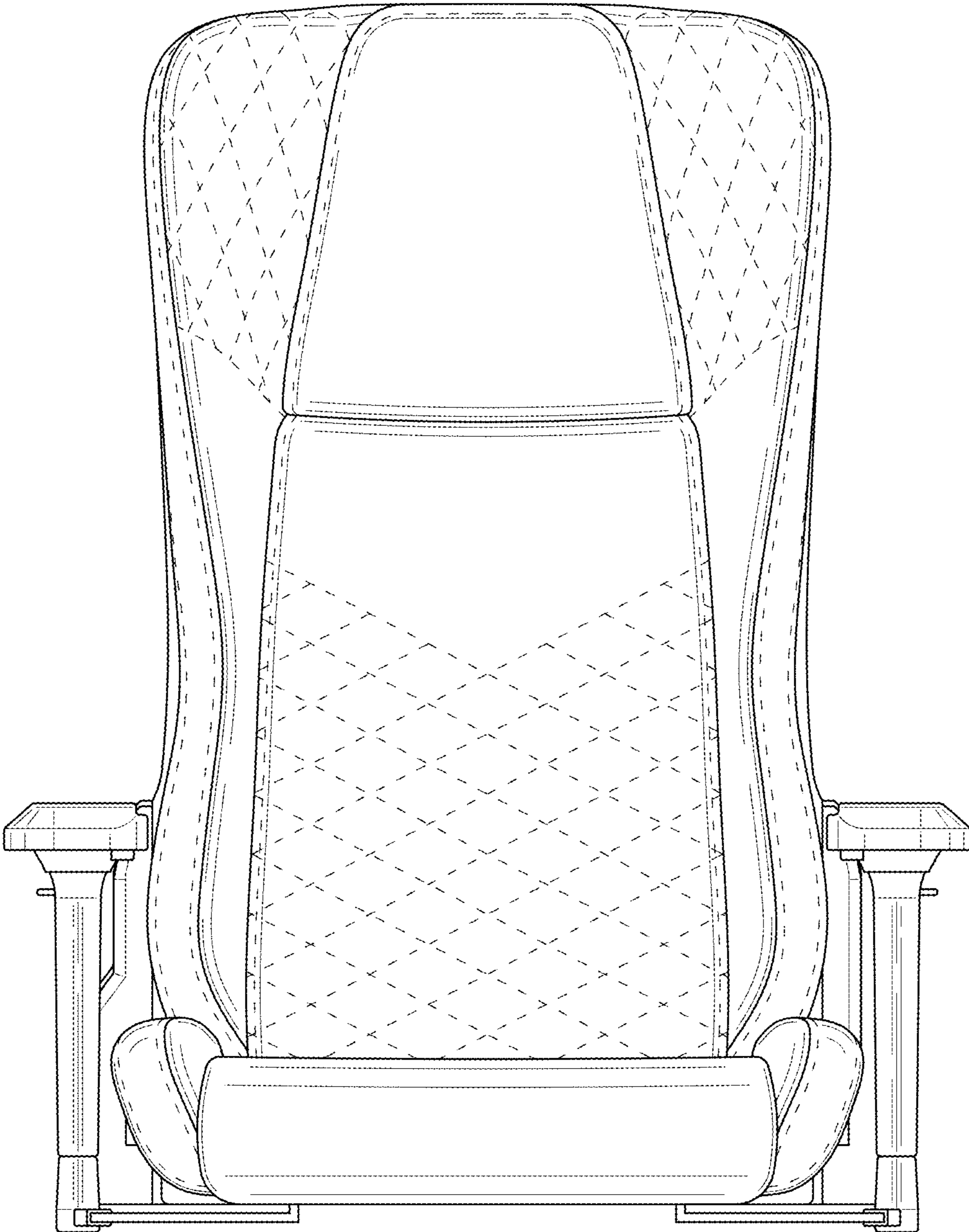


FIG. 2

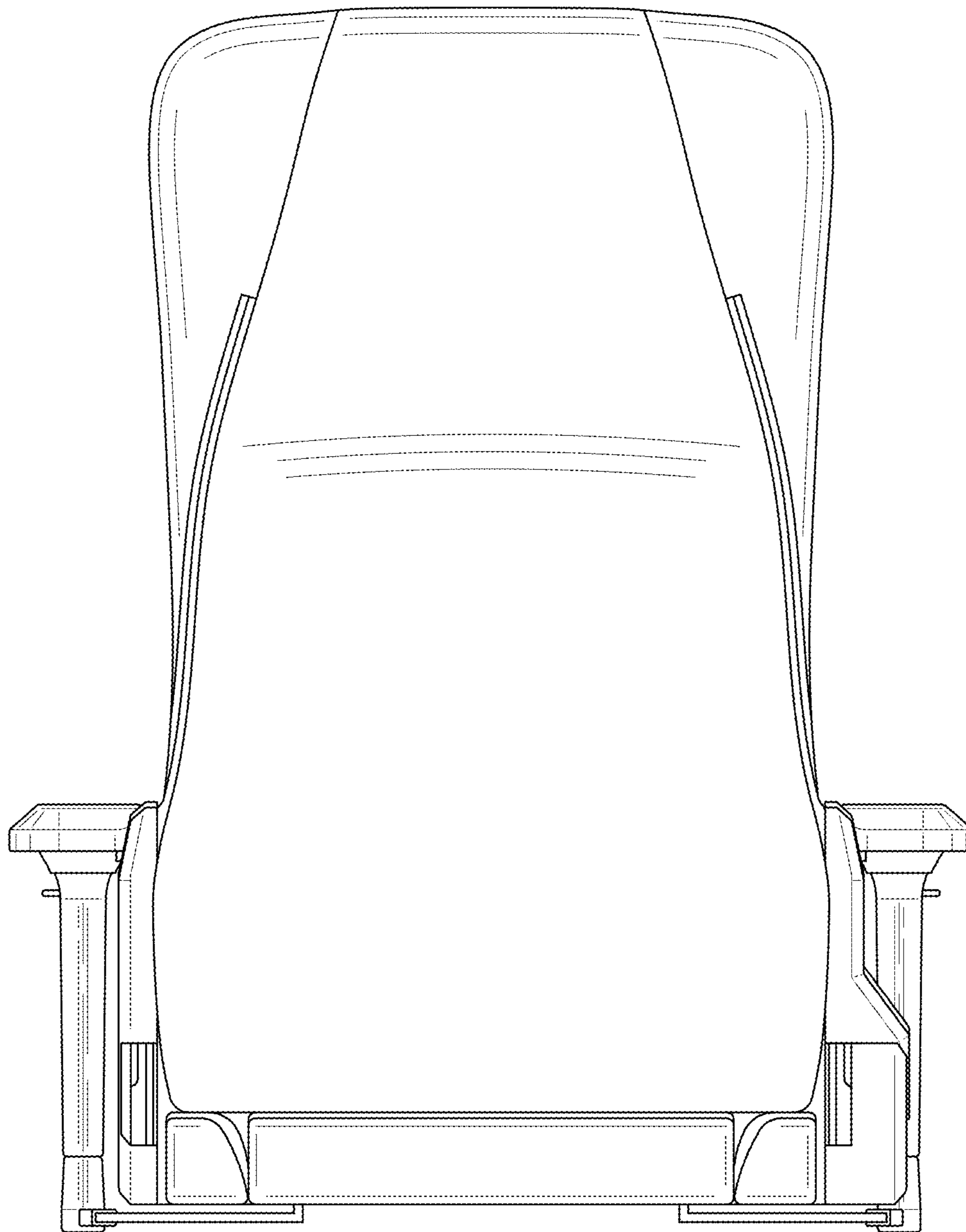


FIG. 3

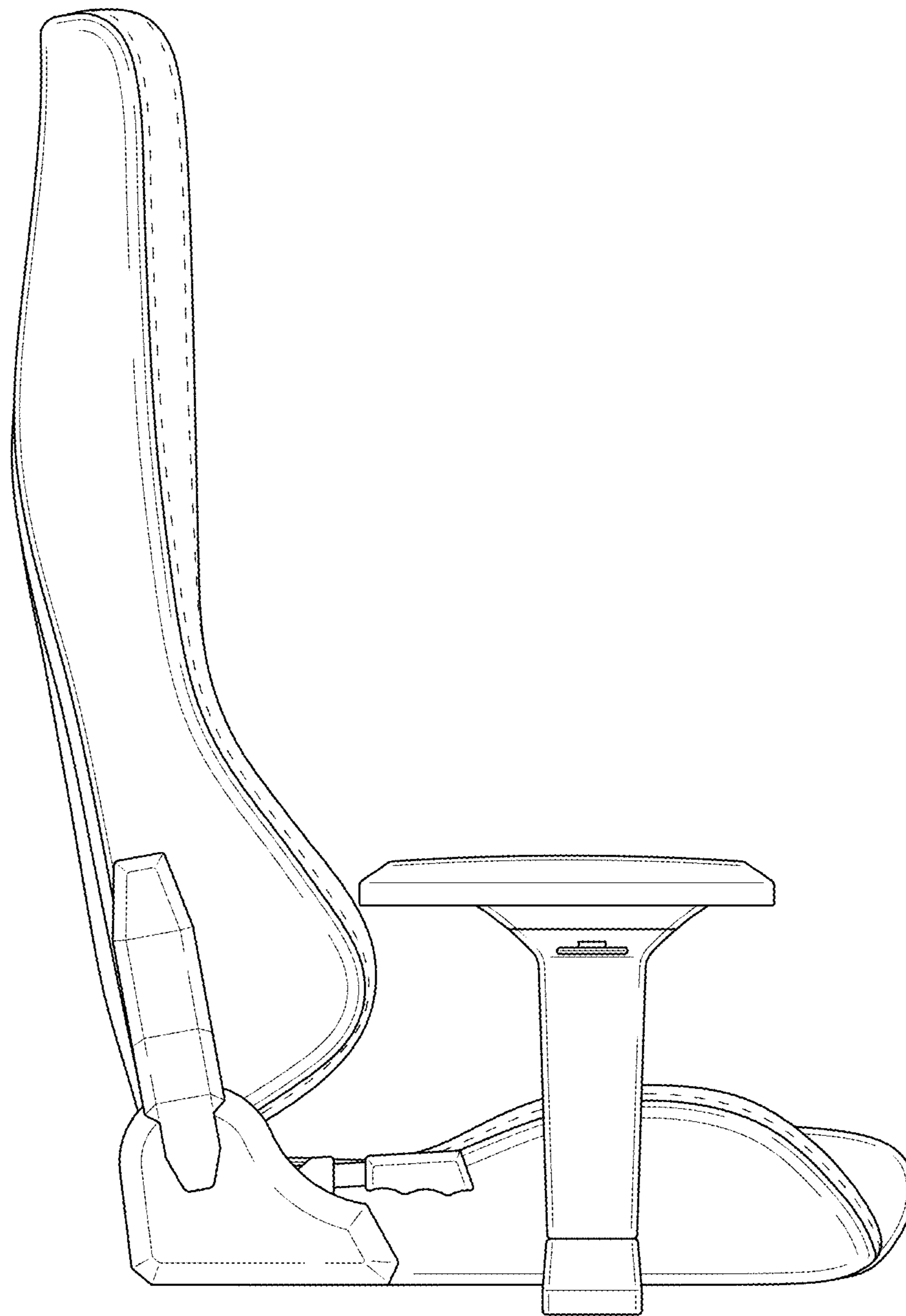


FIG. 4

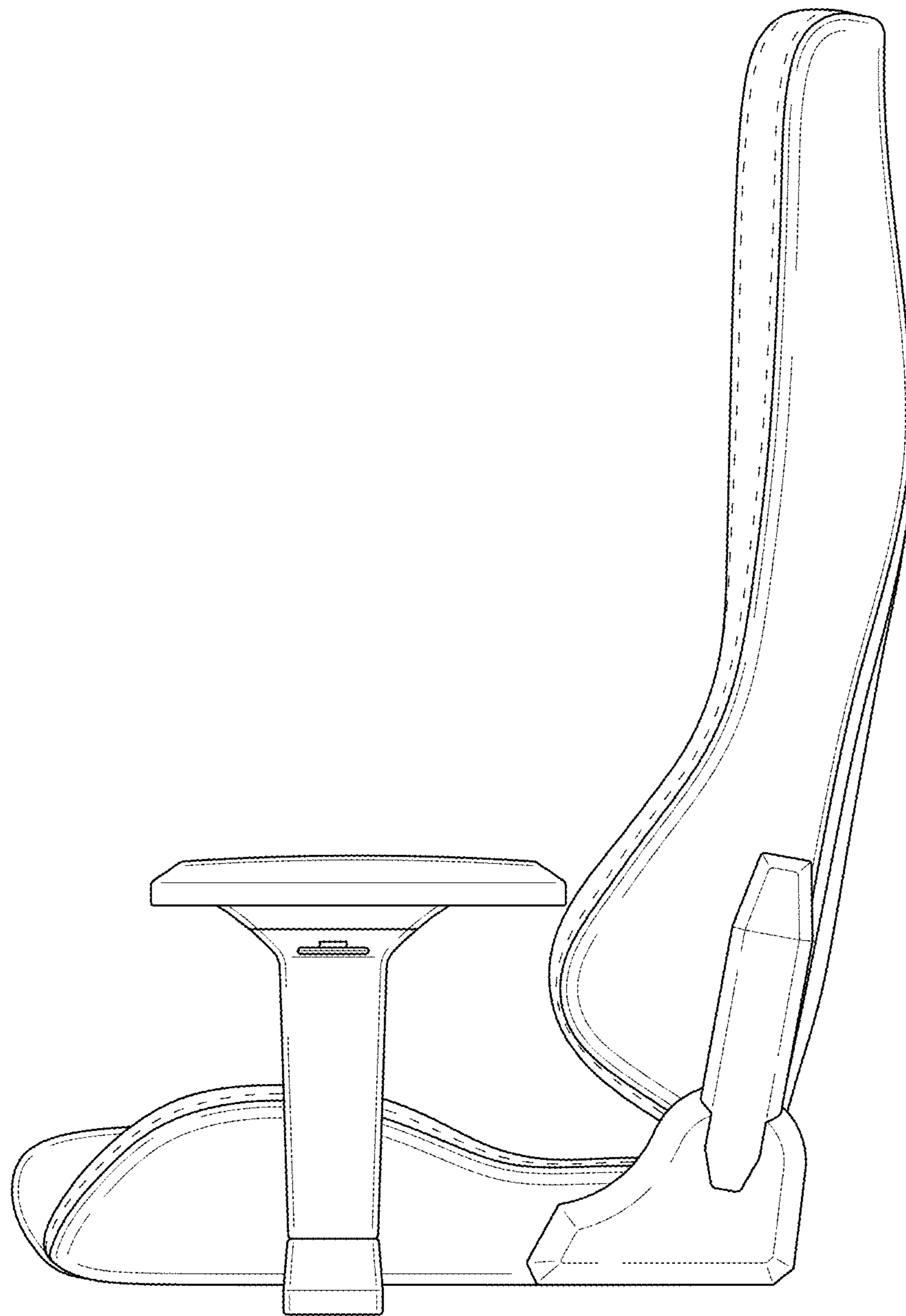


FIG. 5

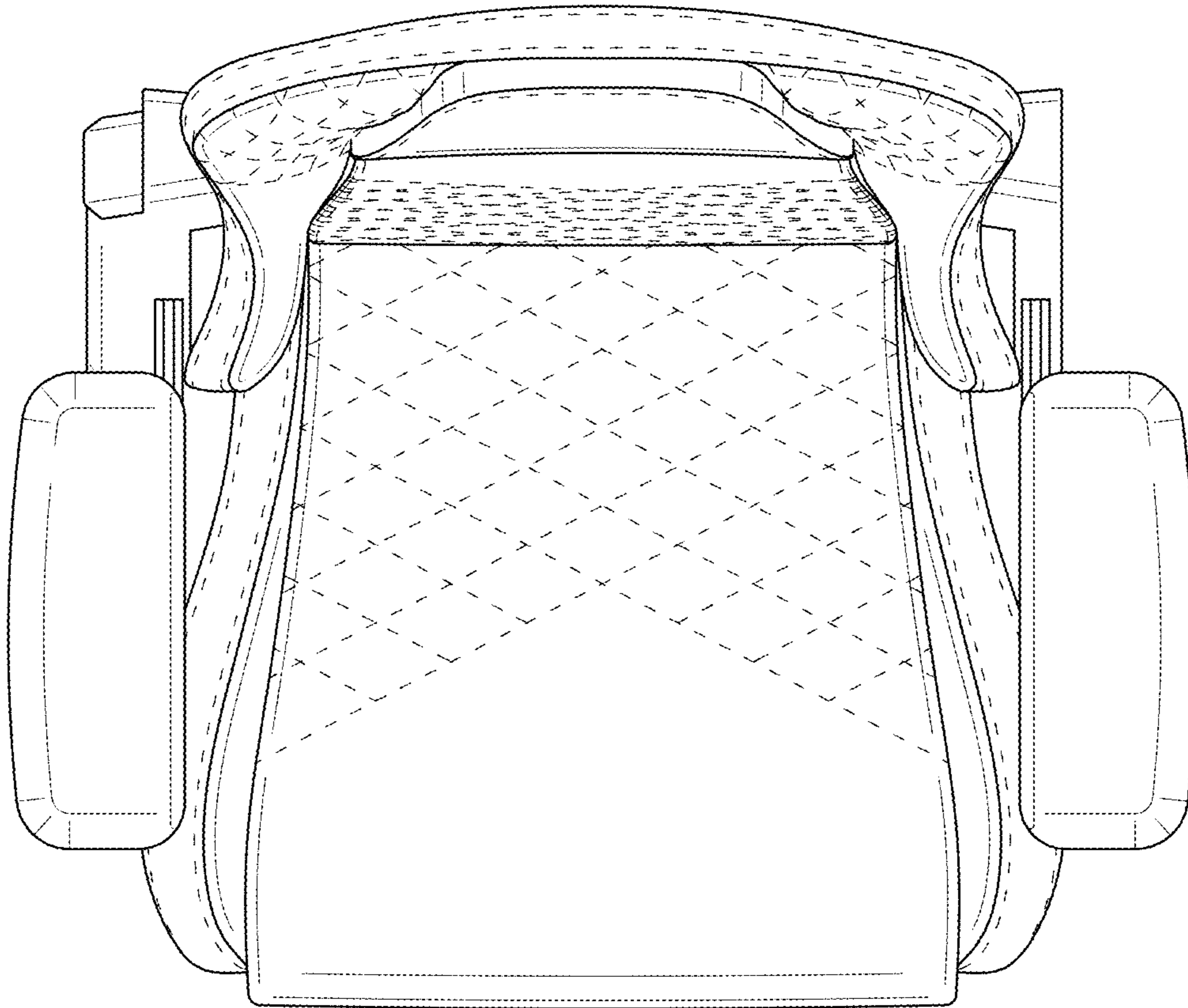


FIG. 6