



US00D962686S

(12) **United States Design Patent**
Berkin-Harper

(10) **Patent No.:** **US D962,686 S**
(45) **Date of Patent:** **** Sep. 6, 2022**

(54) **TABLE**

- (71) Applicant: **Street Lab, Inc.**, Brooklyn, NY (US)
- (72) Inventor: **Hannah Berkin-Harper**, Brooklyn, NY (US)
- (73) Assignee: **Street Lab, Inc.**, Brooklyn, NY (US)
- (**) Term: **15 Years**
- (21) Appl. No.: **29/736,234**
- (22) Filed: **May 28, 2020**
- (51) **LOC (13) Cl.** **06-03**
- (52) **U.S. Cl.**
USPC **D6/693**
- (58) **Field of Classification Search**
USPC D6/691.1, 692.1, 693, 694.2, 708, 691.5,
D6/690, 686, 691.3
CPC .. A47C 7/00; A47B 13/00; A47B 3/06; A47B
13/02; A47B 2003/006; A47B 37/10;
A47B 2200/0066
See application file for complete search history.

(56) **References Cited**

U.S. PATENT DOCUMENTS

1,940,117 A	12/1933	Carpos	
2,054,098 A	9/1936	Rich	
D157,377 S *	2/1950	Karp	D6/686
2,546,812 A	3/1951	Anderson	
D164,682 S *	10/1951	Forward	D6/693
2,615,771 A	10/1952	Curtis	
D183,995 S *	11/1958	McCartan	D6/686
3,338,189 A *	8/1967	Xavier	A47C 9/007 108/159
4,106,413 A	8/1978	Hoaglund	
4,191,113 A *	3/1980	Hogberg	F16B 12/20 297/440.1
D311,840 S *	11/1990	Glendinning	D6/708
D394,567 S *	5/1998	Hallenheim	D6/693
D437,511 S *	2/2001	Boyce	D6/693
6,427,604 B1	8/2002	Chrobak	
6,443,076 B1	9/2002	Case, Jr.	

(Continued)

FOREIGN PATENT DOCUMENTS

AT	11947 U1	8/2011
WO	00/03147 A1	1/2000

OTHER PUBLICATIONS

Set of Two Wood Triangular Nesting End Tables by Alaterre Furniture, first available: Unknown. Target.com [online], [site visited Jun. 23, 2022], Internet URL: <https://www.target.com/p/set-of-two-monterey-mid-century-wood-triangular-nesting-end-tables-chestnut-alaterre-furniture/-/A-78830733> (Year: 2022).*

(Continued)

Primary Examiner — Steven J Czyz
Assistant Examiner — Hillary Catherine Shepard
(74) *Attorney, Agent, or Firm* — Morrison & Foerster LLP

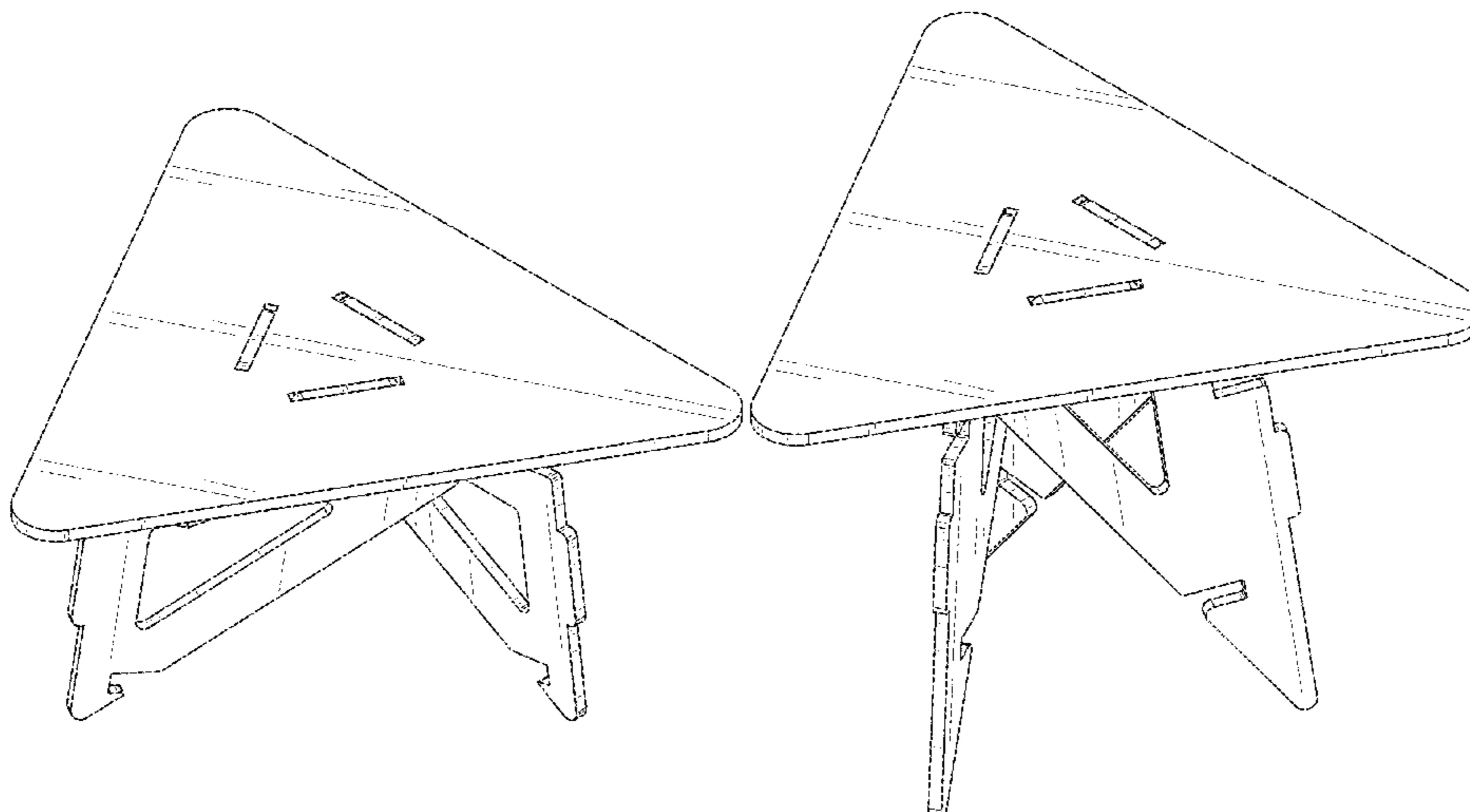
(57) **CLAIM**

The ornamental design for a table, as shown and described.

DESCRIPTION

FIG. 1 is a top perspective view of a table showing our new design;
 FIG. 2 is a bottom perspective view thereof;
 FIG. 3 is a top view thereof;
 FIG. 4 is a bottom view thereof;
 FIG. 5 is a side view thereof;
 FIG. 6 is another side thereof;
 FIG. 7 is a top perspective view of another embodiment of a table showing our new design;
 FIG. 8 is a bottom perspective view thereof;
 FIG. 9 is a top view thereof;
 FIG. 10 is a bottom view thereof;
 FIG. 11 is a side view thereof; and,
 FIG. 12 is another side thereof.

1 Claim, 12 Drawing Sheets



(56)

References Cited

U.S. PATENT DOCUMENTS

6,619,749 B2 9/2003 Willy
 6,807,912 B2* 10/2004 Willy A47C 5/14
 108/180
 6,846,043 B1 1/2005 Leoutsakos
 D653,060 S * 1/2012 McCurry D6/708
 D744,773 S 12/2015 Yoon
 D775,486 S * 1/2017 Seniff D6/691.5
 9,651,191 B1 5/2017 Grisham et al.
 D810,451 S * 2/2018 Liu D6/381
 D856,719 S * 8/2019 Seniff D6/691.5
 10,610,011 B1 4/2020 Greenhill
 D886,497 S * 6/2020 Ferri D6/684
 D886,498 S * 6/2020 Ferri D6/684
 11,064,805 B1* 7/2021 Berkin-Harper A47B 13/04
 2004/0055515 A1 3/2004 Chen
 2008/0245281 A1 10/2008 Willy
 2018/0035799 A1* 2/2018 Leafgren A47B 13/04
 2021/0037663 A1* 2/2021 Davidson A47B 21/04

OTHER PUBLICATIONS

Communal Table for the Streets by Hannah Berkin Harper, first available: Oct. 2019. Streetlab.org [online], [site visited Jun. 23, 2022], Internet URL: <https://www.streetlab.org/2020/05/29/a-new-communal-table-for-the-streets-of-nyc/> (Year: 2019).*

Berkin-Harper, U.S. Office Action dated Apr. 7, 2021 directed to U.S. Appl. No. 16/886,392; 7 pages.

* cited by examiner

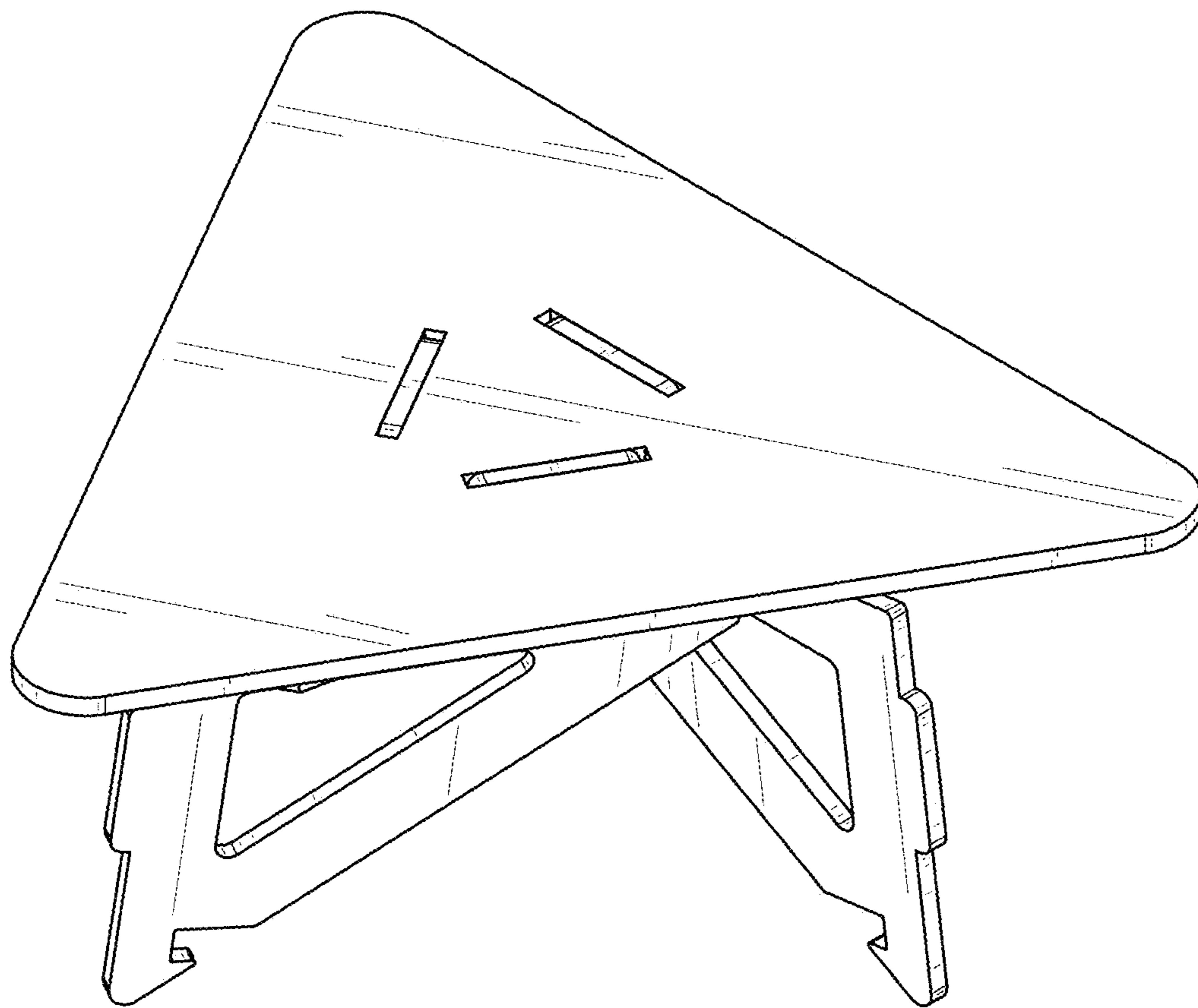


FIG. 1

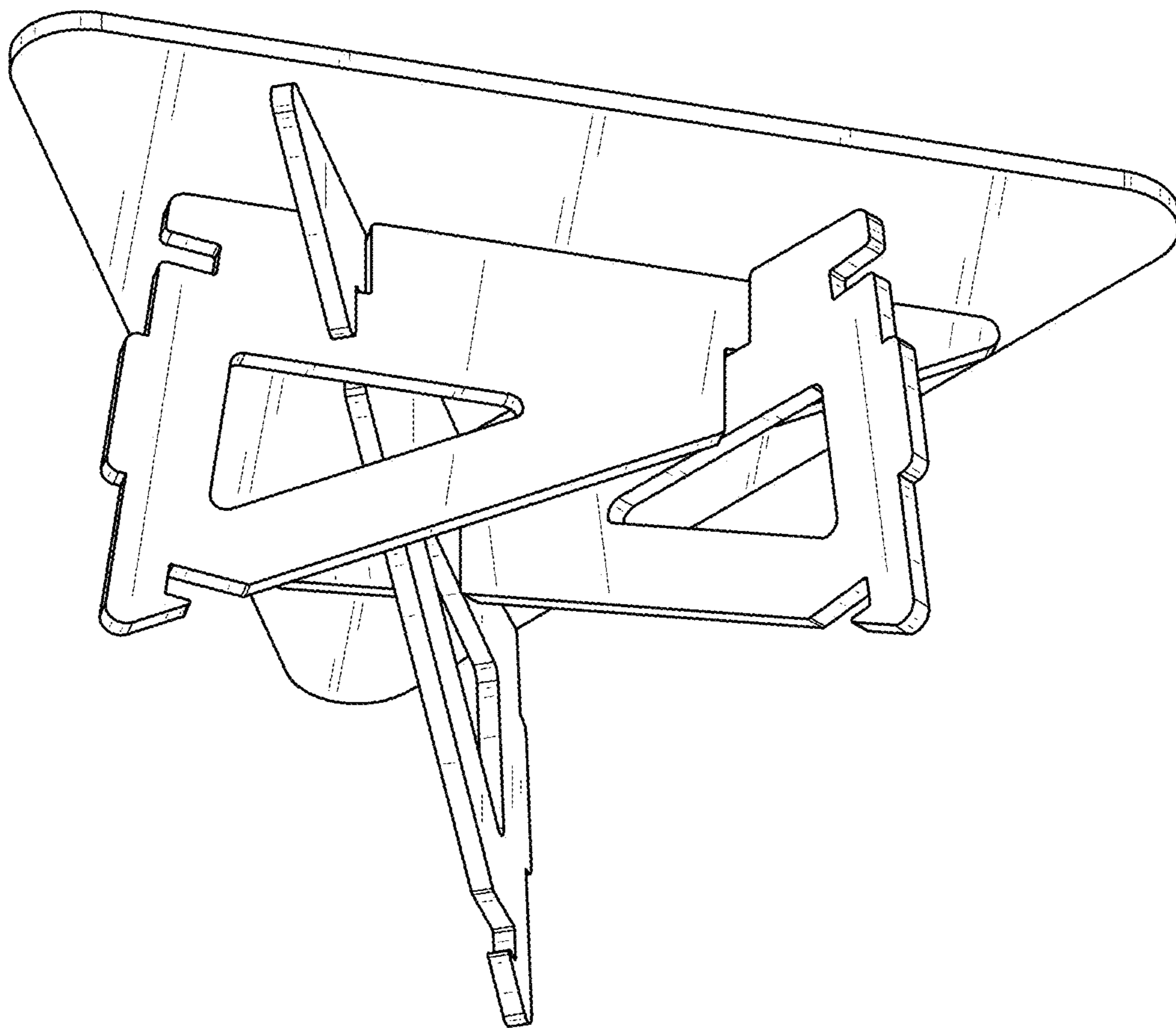


FIG. 2

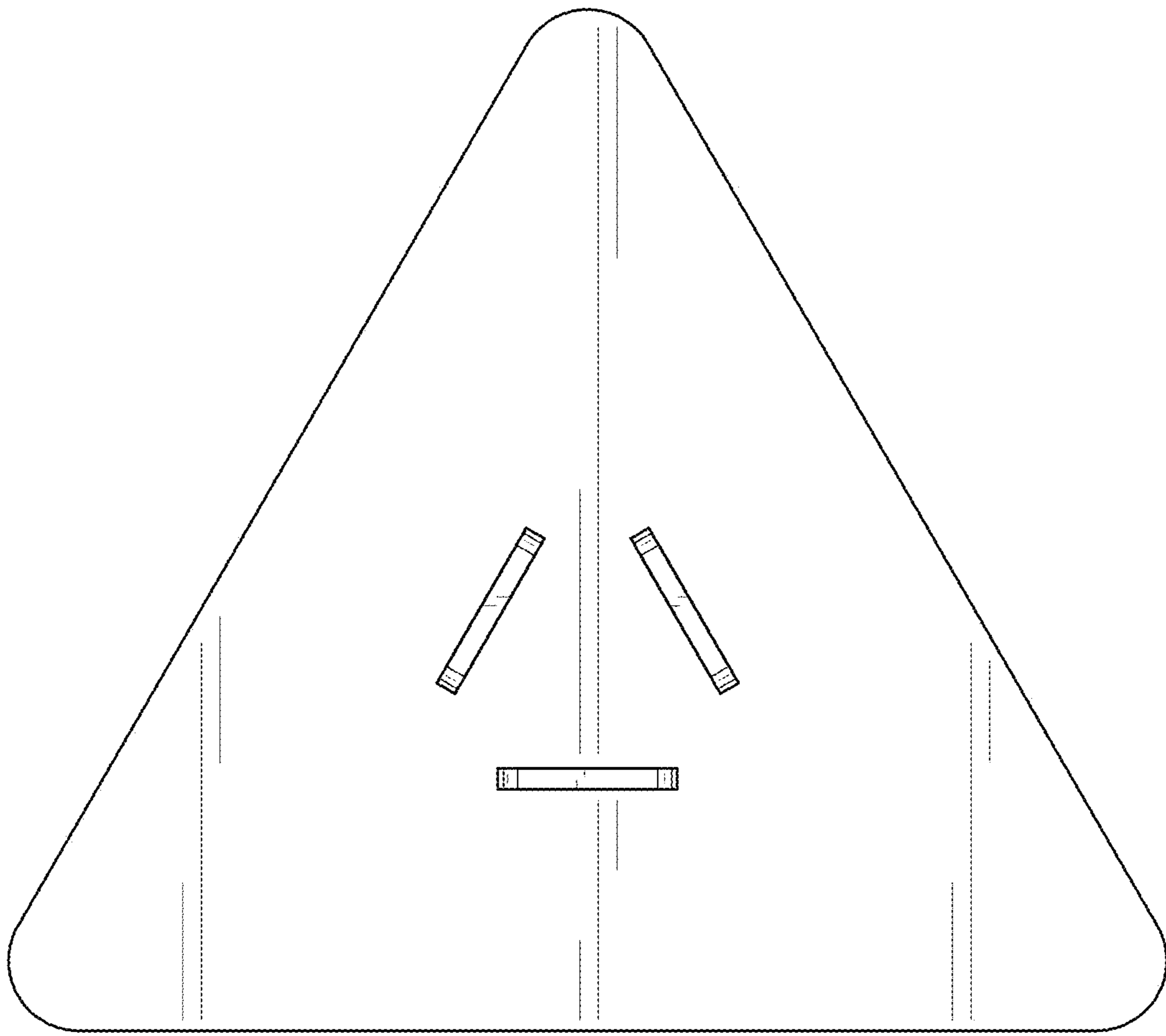


FIG. 3

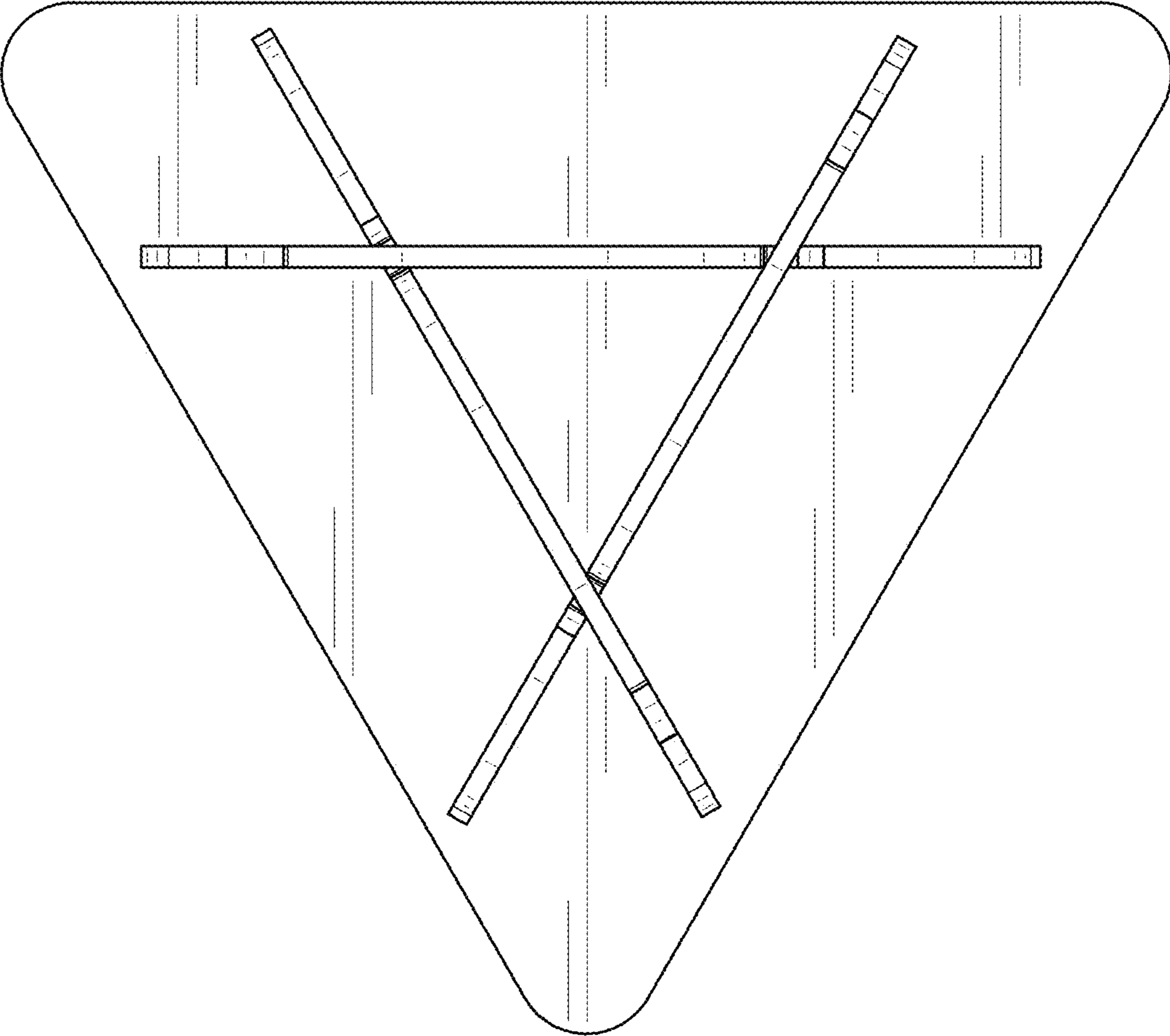


FIG. 4

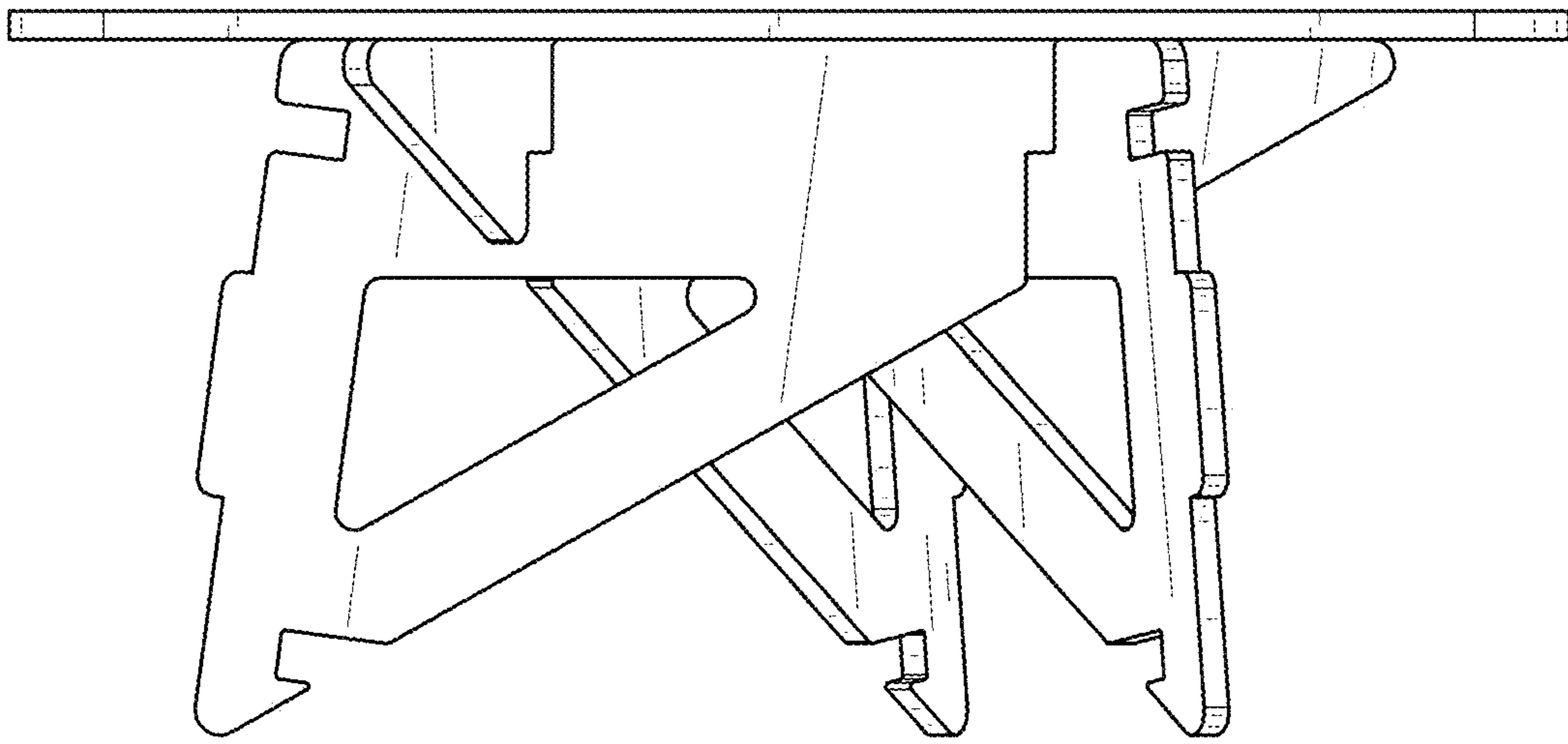


FIG. 5

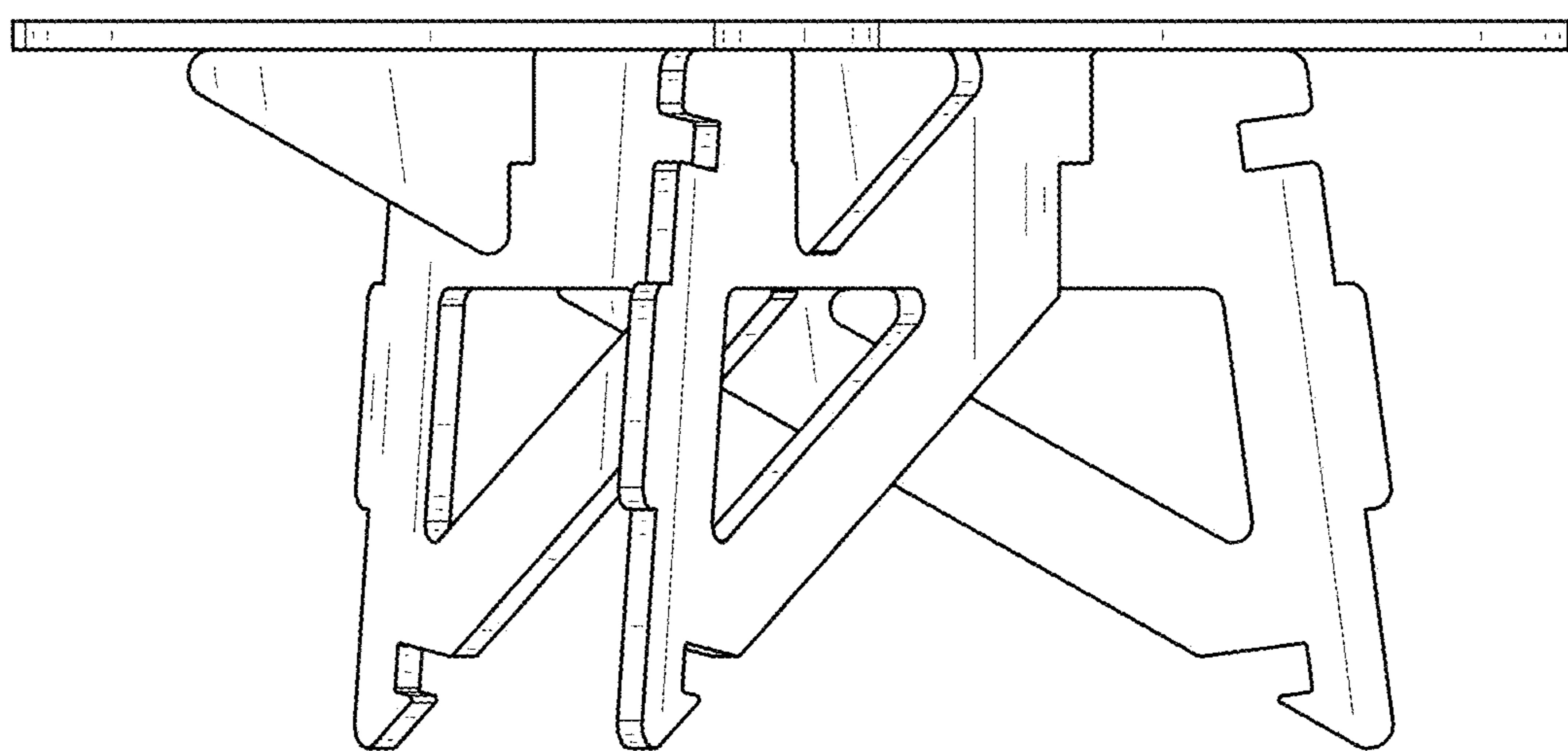


FIG. 6

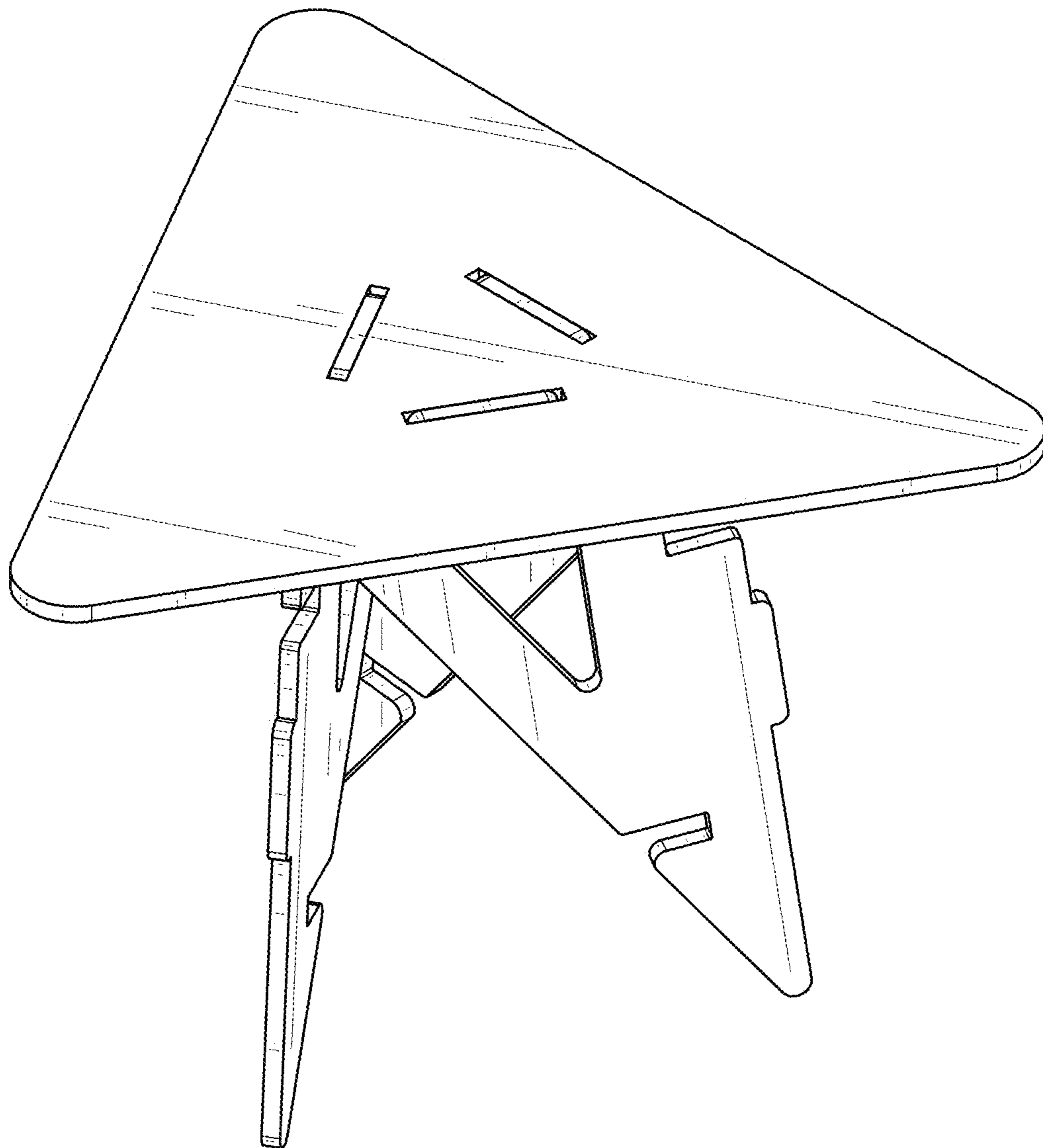


FIG. 7

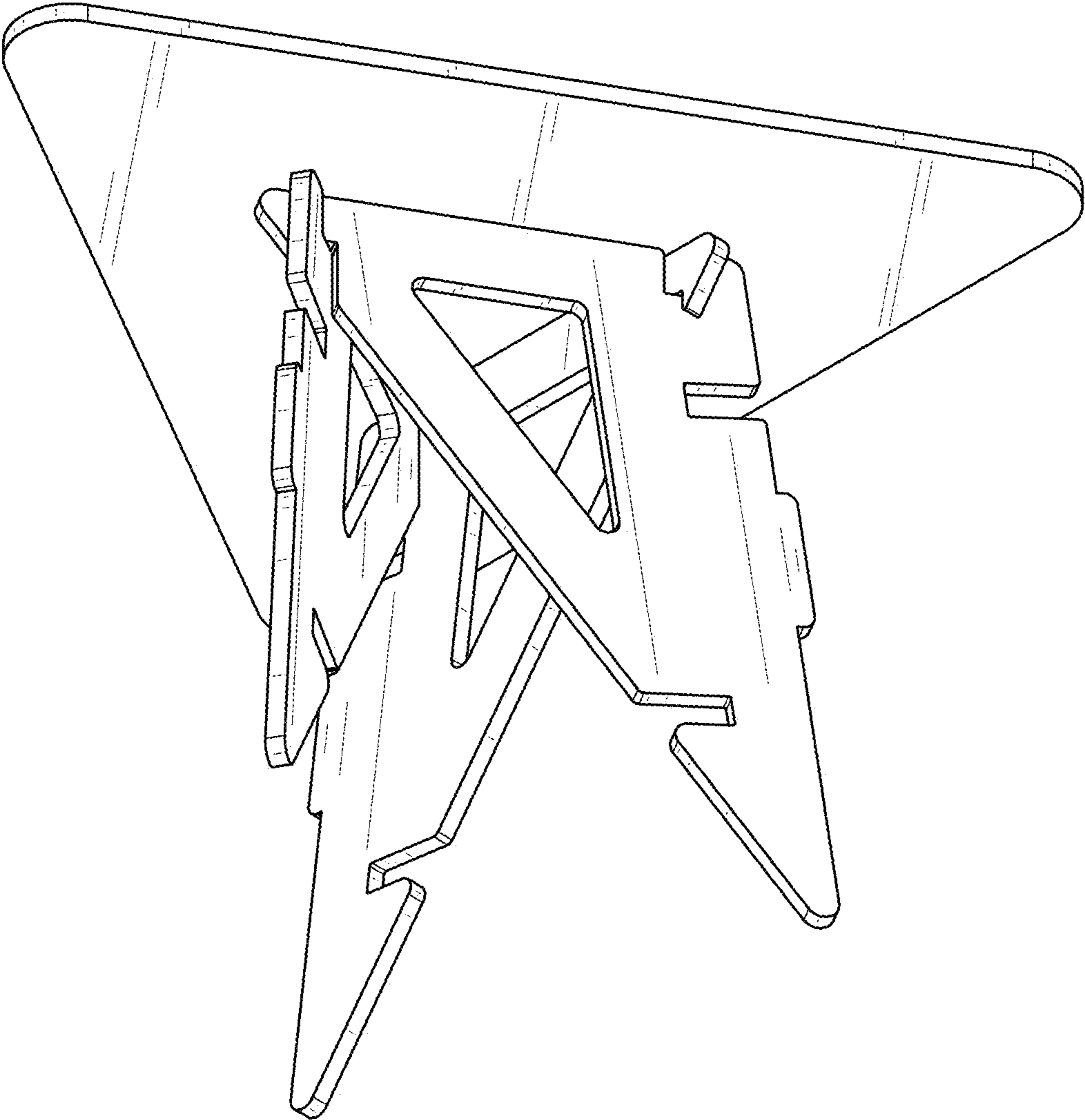


FIG. 8

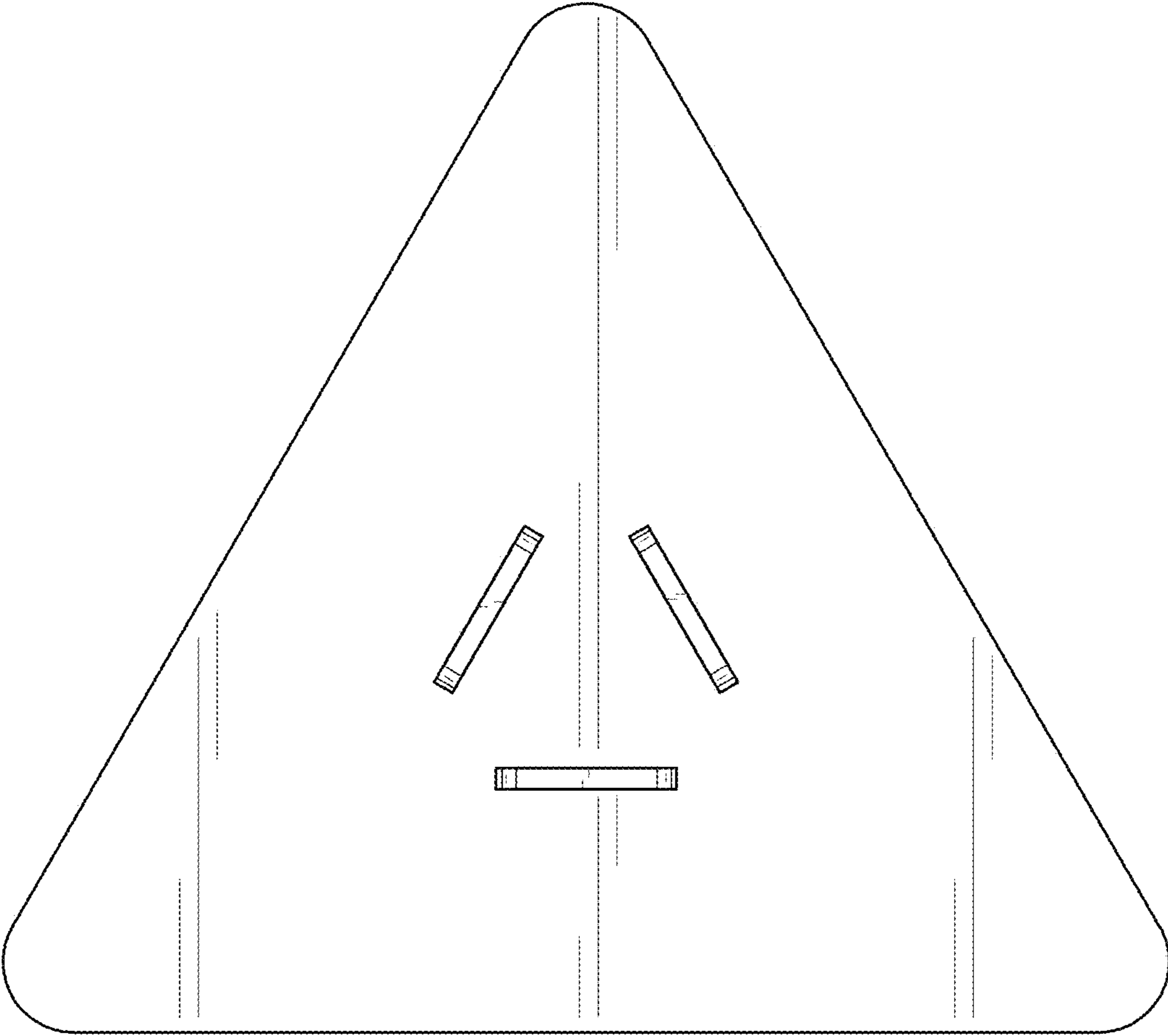


FIG. 9

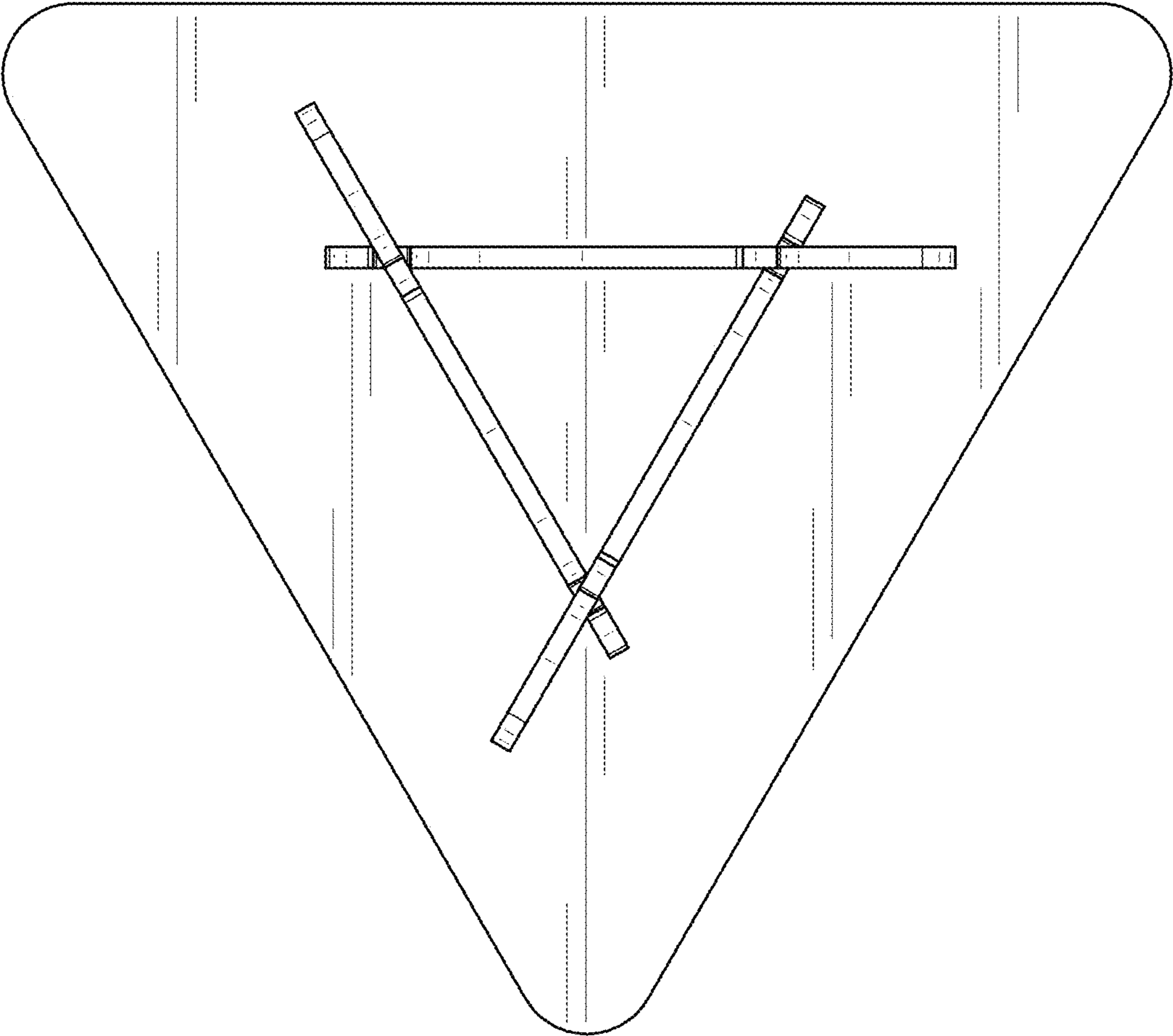


FIG. 10

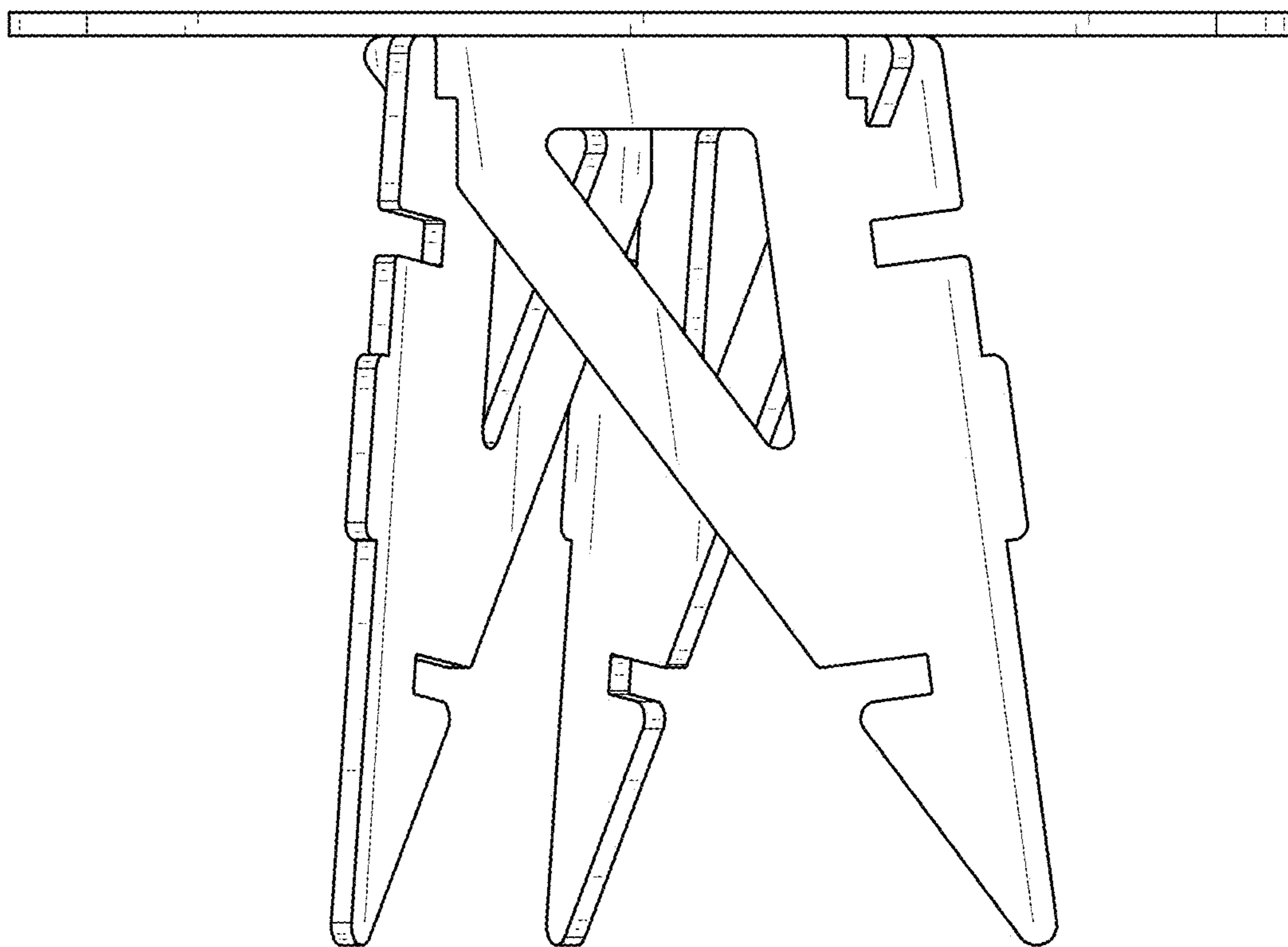


FIG. 11

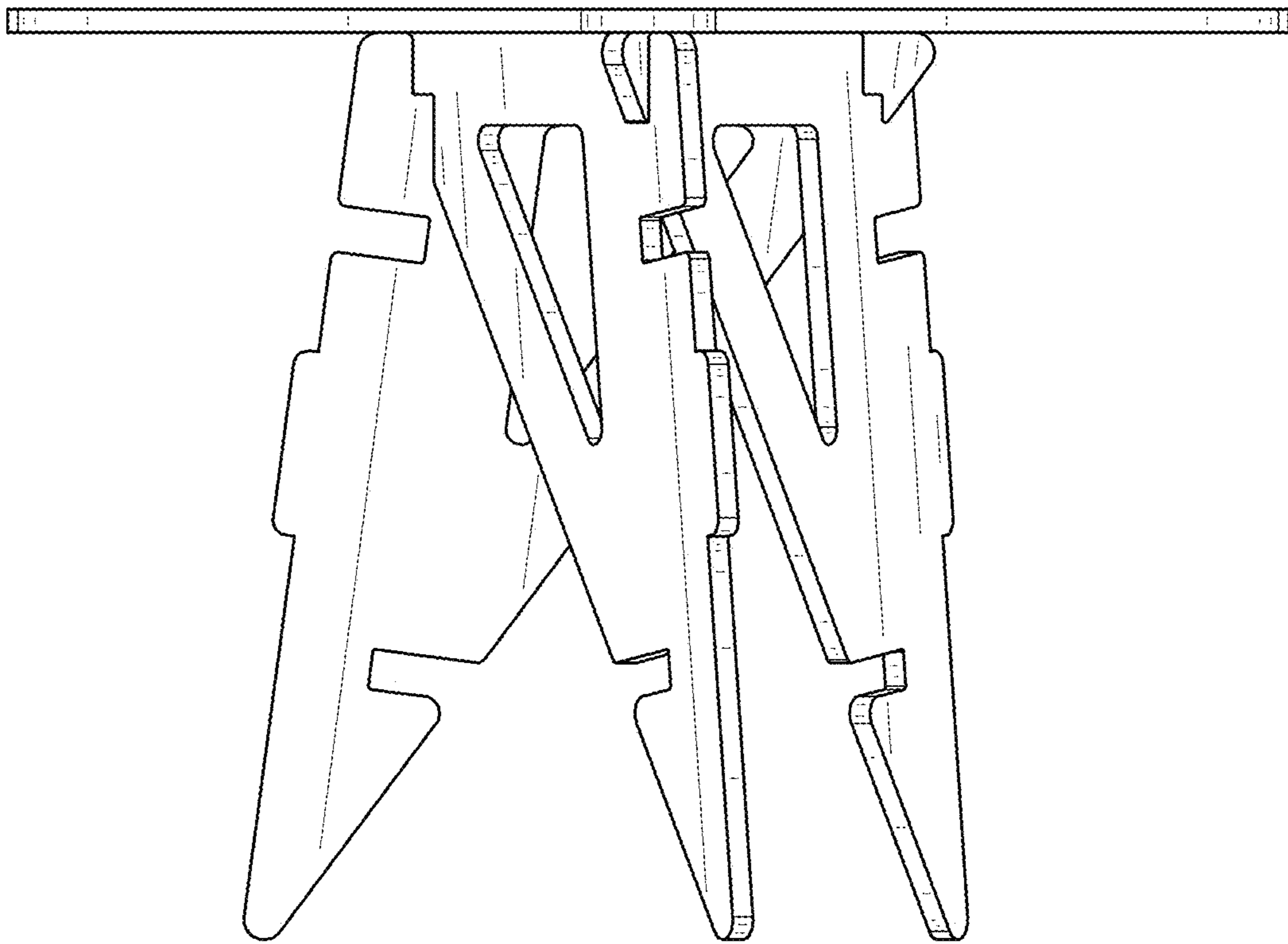


FIG. 12