

US00D962680S

(12) **United States Design Patent** (10) **Patent No.:** **US D962,680 S**  
**Huang** (45) **Date of Patent:** **\*\* Sep. 6, 2022**

(54) **GEL SEAT CUSHION**  
(71) Applicant: **Yannan Huang, Zijin (CN)**  
(72) Inventor: **Yannan Huang, Zijin (CN)**  
(\*\*) Term: **15 Years**

D898,447 S \* 10/2020 Xu ..... D6/601  
D903,377 S \* 12/2020 Yin ..... D6/601  
D906,726 S \* 1/2021 Hagglund ..... D6/596  
D908,394 S \* 1/2021 Yin ..... D6/601  
(Continued)

(21) Appl. No.: **29/795,689**  
(22) Filed: **Jun. 21, 2021**

**FOREIGN PATENT DOCUMENTS**

CN 305622494 \* 2/2020  
CN 306076002 \* 9/2020  
(Continued)

(51) **LOC (13) Cl.** ..... **06-09**  
(52) **U.S. Cl.**  
USPC ..... **D6/601**  
(58) **Field of Classification Search**  
USPC ..... D6/595, 596, 597, 601, 604, 605, 611  
CPC ..... A47G 9/10; A47G 9/1018; A47G 9/1027;  
A47G 9/1036; A47G 9/1045; A47G  
9/1072; A47G 9/0253; A47G 9/1054;  
A47G 9/1063; A47G 9/1081; A47G 9/109  
See application file for complete search history.

**OTHER PUBLICATIONS**

Aduken Gel Office Chair Review, earliest review date: Apr. 2, 2021, [online], [site visited Feb. 23, 2022]. Available from Internet, <URL: [https://www.amazon.com/Aduken-Cushion-Breathable-Honeycomb-Computer/dp/B08SKC3VKB/ref=sr\\_1\\_5?dchild=1&keywords=adukengelseatcushion&qid=1630297344&sr=8-5&th=1](https://www.amazon.com/Aduken-Cushion-Breathable-Honeycomb-Computer/dp/B08SKC3VKB/ref=sr_1_5?dchild=1&keywords=adukengelseatcushion&qid=1630297344&sr=8-5&th=1)> (Year: 2021).\*

(Continued)

*Primary Examiner* — Sanjeev Paul

(56) **References Cited**

(57) **CLAIM**

**U.S. PATENT DOCUMENTS**

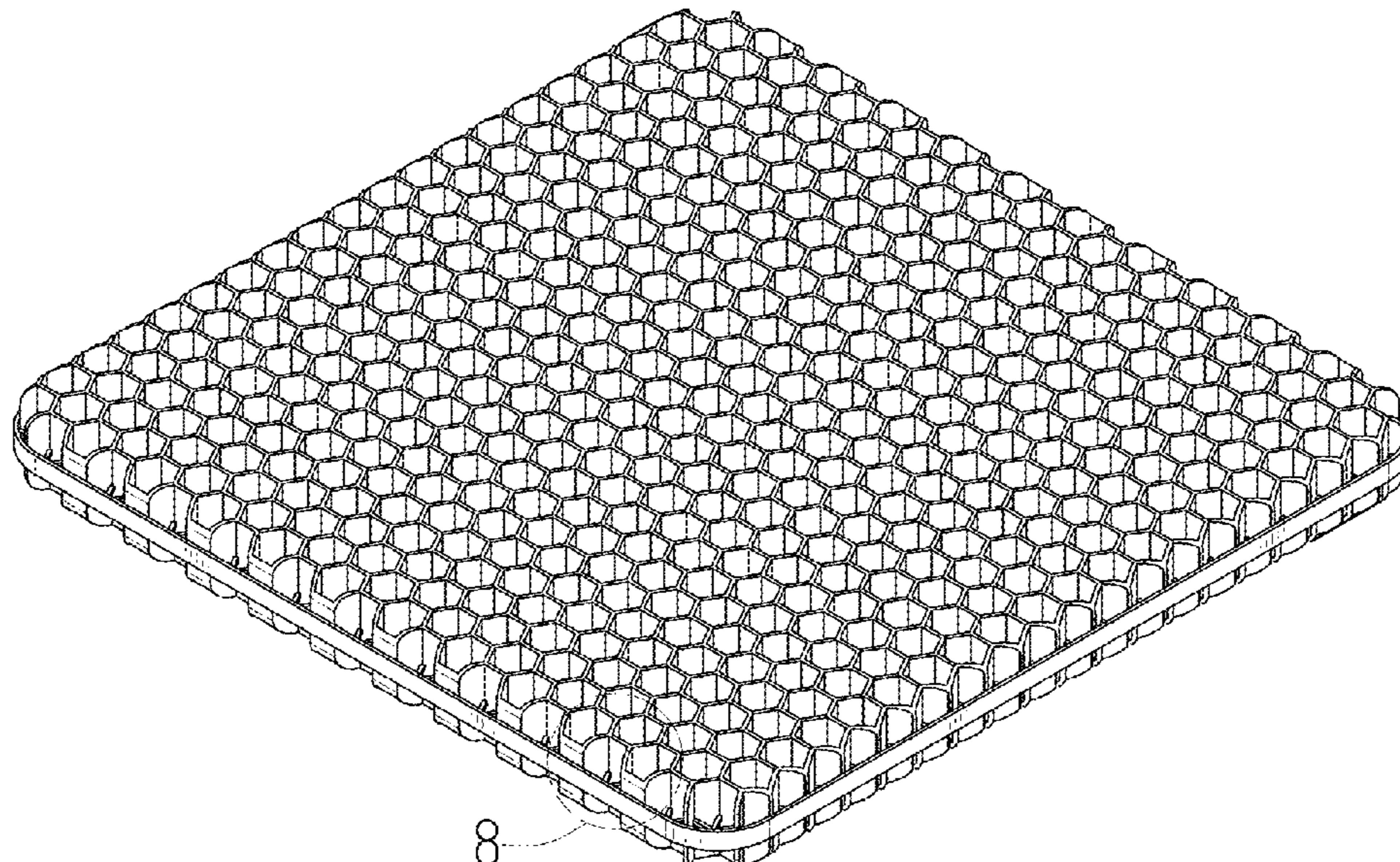
The ornamental design for a gel seat cushion, as shown and described.

- 2,958,885 A \* 11/1960 Donney ..... A47L 13/03  
401/196
- D284,725 S \* 7/1986 Stuckey ..... D6/596
- D325,840 S \* 5/1992 Main ..... D6/601
- D386,032 S \* 11/1997 Bear ..... D6/601
- D599,604 S 9/2009 Dorado et al.
- D658,921 S 5/2012 Prendergast
- D710,130 S \* 8/2014 Chen ..... D6/596
- 9,138,084 B1 \* 9/2015 Namolovan ..... A47G 9/007
- D758,101 S \* 6/2016 Mason ..... D6/601
- D818,289 S \* 5/2018 Facco ..... D6/601
- D818,290 S \* 5/2018 Facco ..... D6/601
- D840,175 S \* 2/2019 Martin ..... D6/596
- D840,724 S \* 2/2019 Dowd ..... D6/601
- D850,156 S 6/2019 Chen
- D885,085 S \* 5/2020 Dowd ..... D6/601
- D898,419 S \* 10/2020 Liu ..... D6/601
- D898,439 S \* 10/2020 Luo ..... D6/601

**DESCRIPTION**

FIG. 1 is a perspective view of a gel seat cushion showing my new design;  
FIG. 2 is a front view thereof;  
FIG. 3 is a back view thereof;  
FIG. 4 is a left side view thereof;  
FIG. 5 is a right side view thereof;  
FIG. 6 is a top view thereof;  
FIG. 7 is a bottom view thereof;  
FIG. 8 is an enlarged view of the selected portion in FIG. 1; and,  
FIG. 9 is an enlarged view of the selected portion in FIG. 2.

**1 Claim, 9 Drawing Sheets**



(56)

References Cited

U.S. PATENT DOCUMENTS

D909,092 S \* 2/2021 Pearce ..... D6/601  
 D909,790 S \* 2/2021 Pearce ..... D6/601  
 D911,071 S \* 2/2021 Yu ..... D6/601  
 D917,206 S \* 4/2021 Taylor ..... D6/601  
 D917,926 S \* 5/2021 Pearce ..... D6/601  
 D917,927 S \* 5/2021 Taylor ..... D6/601  
 D929,158 S \* 8/2021 Templeton ..... D6/611  
 D933,398 S \* 10/2021 Bellot ..... D6/601  
 D935,224 S \* 11/2021 Wang ..... D6/601  
 D935,225 S \* 11/2021 Wang ..... D6/601  
 D935,226 S \* 11/2021 Wang ..... D6/601  
 2005/0120482 A1 \* 6/2005 Robie ..... A47C 16/04  
 5/639  
 2011/0064911 A1 \* 3/2011 Kuo ..... A43B 13/187  
 428/131  
 2012/0005821 A1 \* 1/2012 Fowkes ..... A47K 3/002  
 4/581  
 2018/0140116 A1 \* 5/2018 Werner ..... A47G 9/0253  
 2020/0198500 A1 \* 6/2020 Woo ..... B60N 2/548

FOREIGN PATENT DOCUMENTS

CN 306083271 \* 10/2020  
 CN 306102118 \* 10/2020  
 CN 306437720 \* 4/2021  
 CN 306474377 \* 4/2021  
 CN 306750588 \* 8/2021  
 CN 306750589 \* 8/2021

CN 306750594 \* 8/2021  
 CN 306783375 \* 8/2021  
 CN 306836265 \* 9/2021  
 CN 3066884400 \* 10/2021  
 CN 306970167 \* 11/2021  
 CN 307098708 \* 2/2022  
 CN 307240705 \* 4/2022  
 GB 6152906 \* 8/2021

OTHER PUBLICATIONS

Amazon.com: Aduken Gel Office Chair, earliest review date: Apr. 2, 2021, [online], [site visited Feb. 23, 2022]. Available from Internet, <URL: [https://www.amazon.com/Aduken-Cushion-Breathable-Honeycomb-Computer/dp/B08SKC3VKB/ref=sr\\_1\\_5?dchild=1&keywords=adukengelseatcushion&qid=1630297344&sr=8-5&th=1](https://www.amazon.com/Aduken-Cushion-Breathable-Honeycomb-Computer/dp/B08SKC3VKB/ref=sr_1_5?dchild=1&keywords=adukengelseatcushion&qid=1630297344&sr=8-5&th=1)> (Year: 2021).\*

Google Image search: "Gel Cushion" <URL:[https://www.google.com/search?q=gel+cushion&sxsrf=APq-WBulMtJsnhZ5YzRKnn9UJglMKW\\_WsA:1650744911990&source=lnms&tbn=isch&sa=X&ved=2ahUKEwif69-AgKv3AhWrl3IEHaCRB1QQ\\_AUoAnoECAEQBA&biw=1200&bih=1777&dpr=1](https://www.google.com/search?q=gel+cushion&sxsrf=APq-WBulMtJsnhZ5YzRKnn9UJglMKW_WsA:1650744911990&source=lnms&tbn=isch&sa=X&ved=2ahUKEwif69-AgKv3AhWrl3IEHaCRB1QQ_AUoAnoECAEQBA&biw=1200&bih=1777&dpr=1)> (Year: 2022).\*

Google Image search: "Gel Pillow" <URL:[https://www.google.com/search?q=gel+pillow&sxsrf=APq-WBudRzQ2KfiJbvMcX-SKjVqfhE\\_g0g:1650744961163&source=lnms&tbn=isch&sa=X&ved=2ahUKEwjEkJmYgKv3AhXFknlEHXWnBtUQ\\_AUoAnoECAEQBA&biw=1200&bih=1777&dpr=1](https://www.google.com/search?q=gel+pillow&sxsrf=APq-WBudRzQ2KfiJbvMcX-SKjVqfhE_g0g:1650744961163&source=lnms&tbn=isch&sa=X&ved=2ahUKEwjEkJmYgKv3AhXFknlEHXWnBtUQ_AUoAnoECAEQBA&biw=1200&bih=1777&dpr=1)> (Year: 2022).\*

\* cited by examiner

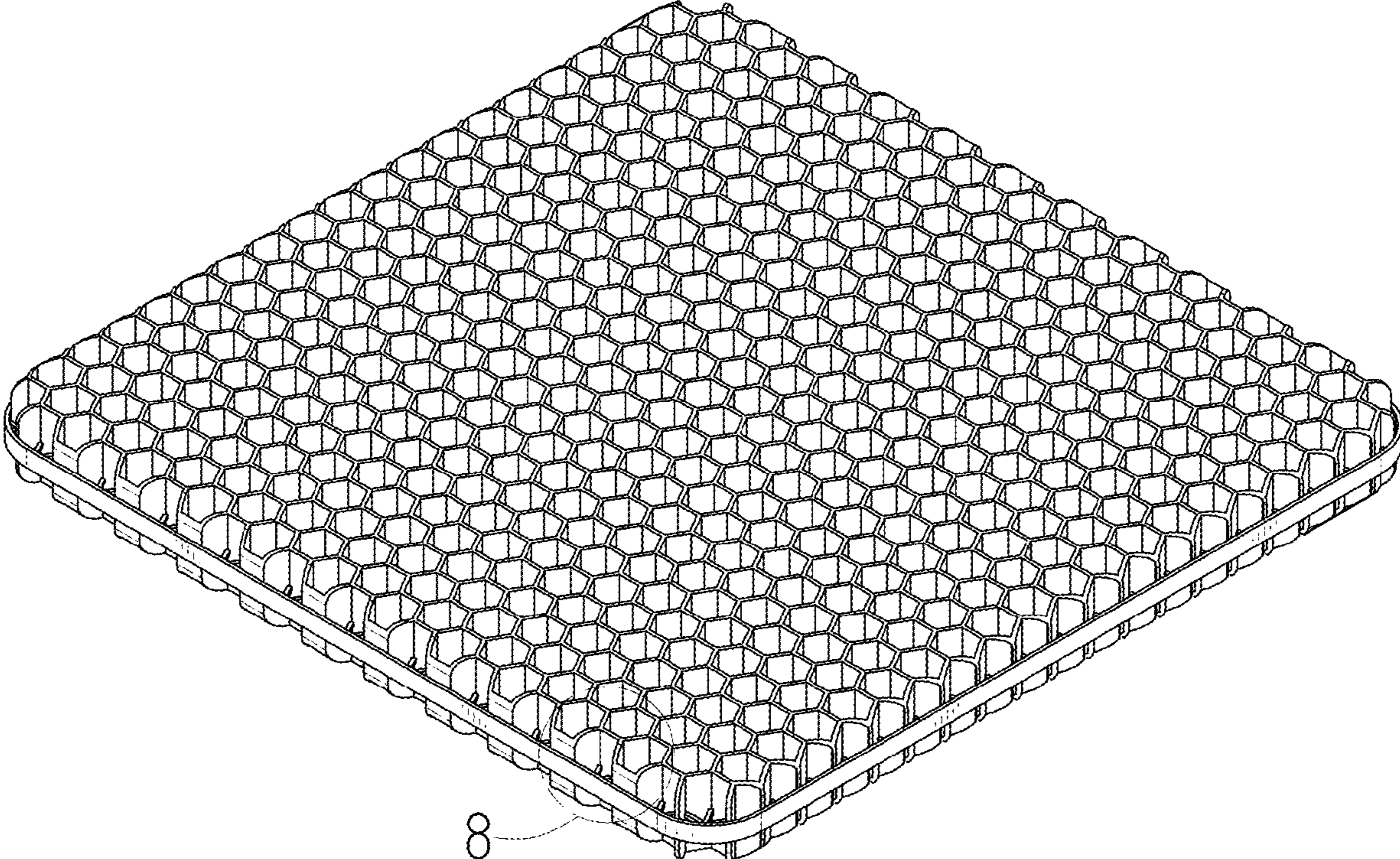
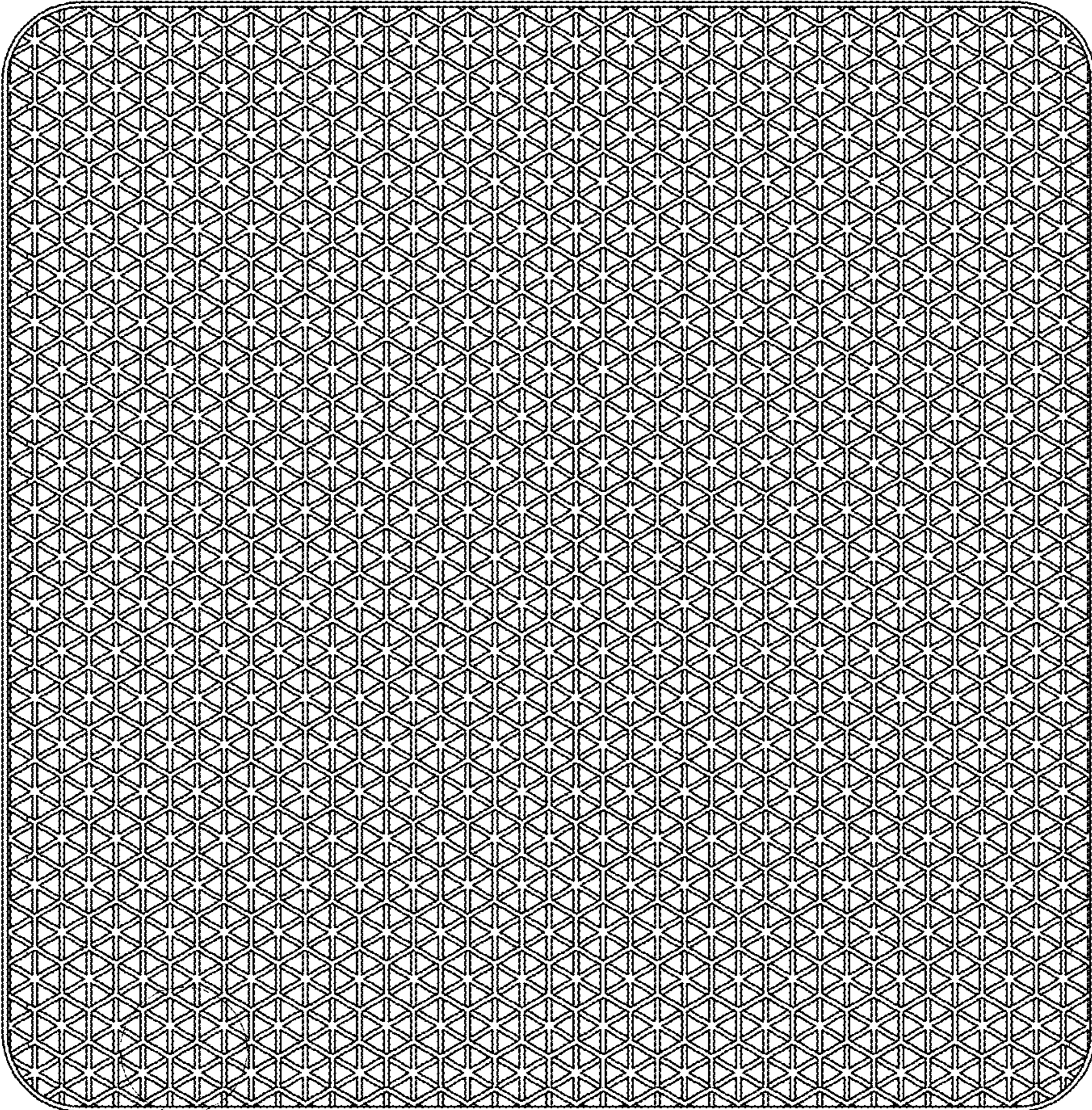


FIG. 1



9

FIG. 2

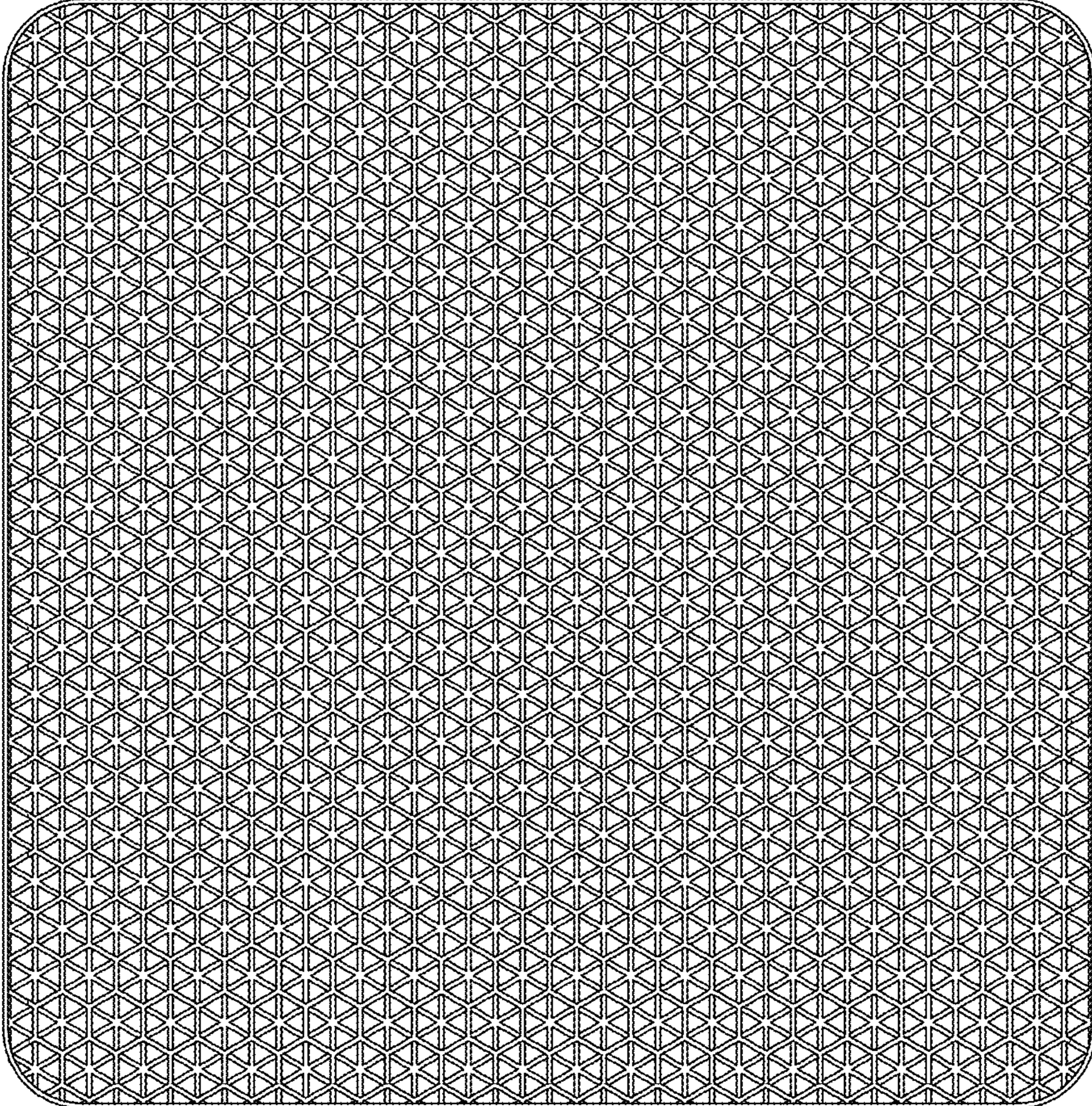


FIG. 3

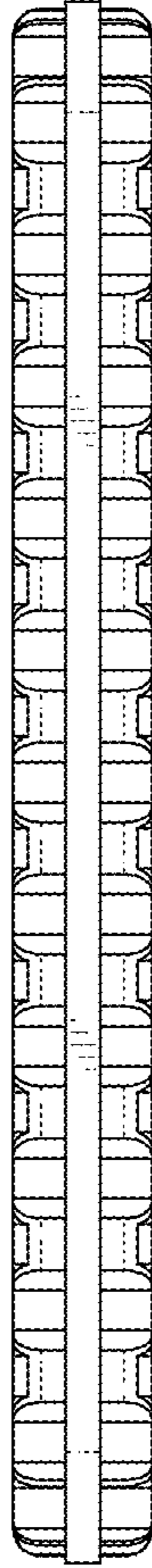


FIG. 4

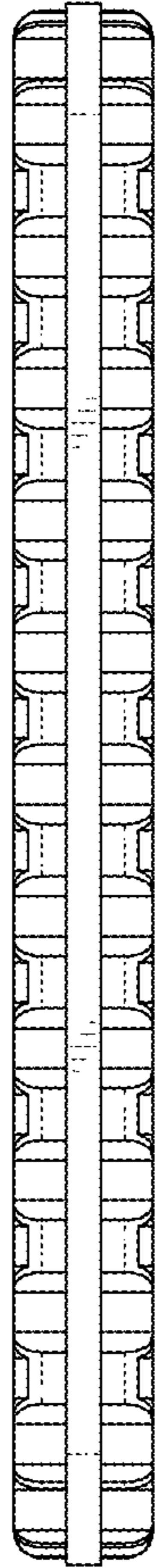


FIG. 5

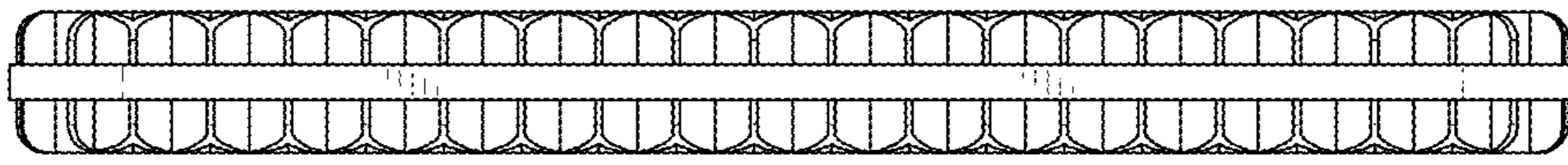


FIG. 6



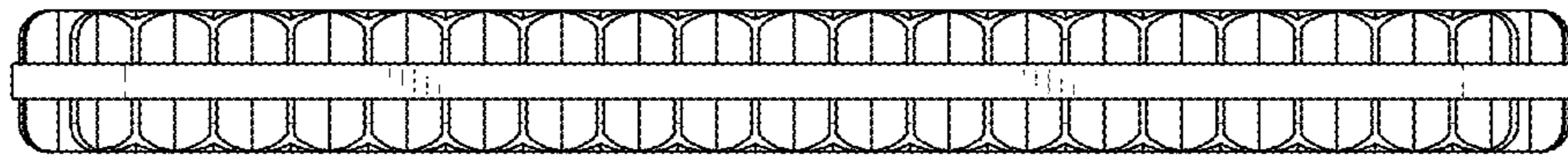


FIG. 7

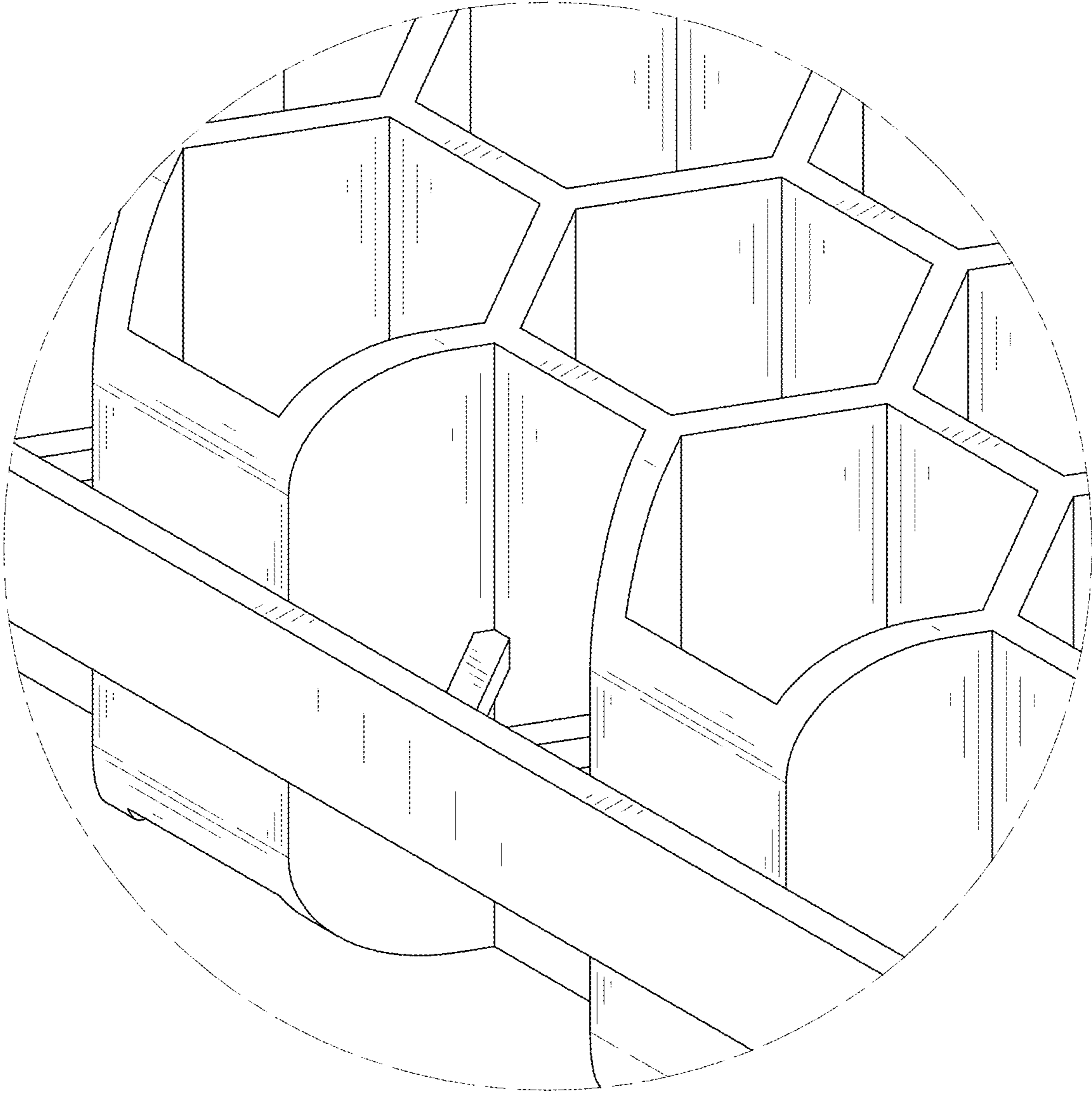


FIG. 8

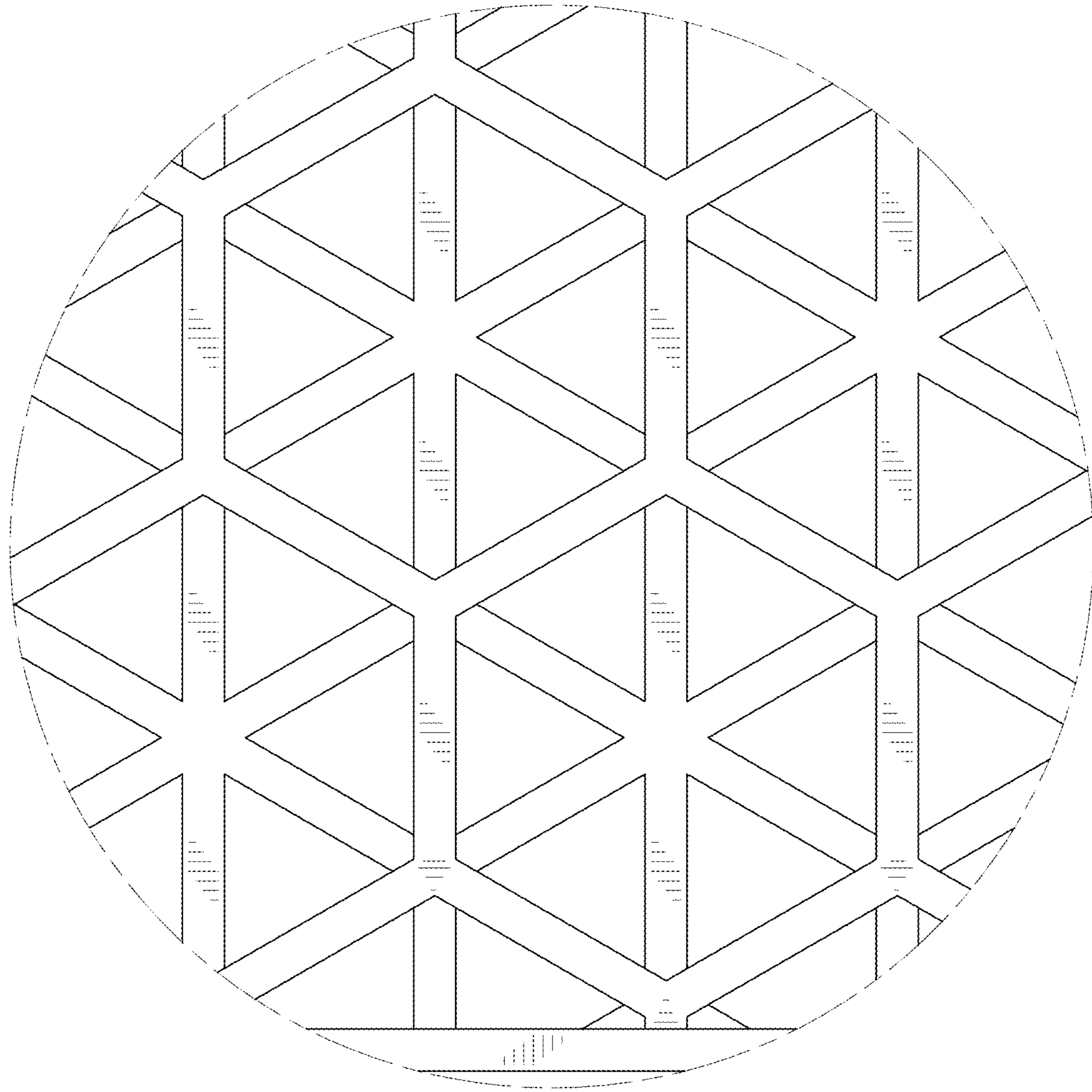


FIG. 9