

US00D962679S

(12) **United States Design Patent** (10) **Patent No.:** **US D962,679 S**
Xu (45) **Date of Patent:** **** *Sep. 6, 2022**

(54) **PREGNANCY PILLOW**
(71) Applicant: **Fei Xu**, Hangzhou (CN)
(72) Inventor: **Fei Xu**, Hangzhou (CN)
(*) Notice: This patent is subject to a terminal disclaimer.

7,513,001 B1 * 4/2009 Leach A47C 27/086
5/632
D666,861 S * 9/2012 Phillips D6/601
D768,409 S * 10/2016 Park D6/601
D830,733 S * 10/2018 Mi D6/601
D850,817 S 6/2019 Tong
D861,375 S 10/2019 Gao
D863,826 S 10/2019 Gao
(Continued)

(**) Term: **15 Years**

FOREIGN PATENT DOCUMENTS

(21) Appl. No.: **29/779,522**

CN 304320121 * 10/2017
CN 305482847 * 12/2019

(22) Filed: **Apr. 20, 2021**

(Continued)

(51) **LOC (13) Cl.** **06-09**

(52) **U.S. Cl.**
USPC **D6/601**

(58) **Field of Classification Search**
USPC D6/595, 596, 597, 600, 601, 603, 604,
D6/605, 606, 608, 522, 546, 582, 583;
D24/183, 185, 234; D21/803, 804, 805,
D21/809, 439, 440
CPC A47G 2009/1018; A47G 2009/003; A47G
9/0253; A47G 9/10; A47G 9/1027; A47G
9/1036; A47G 9/1054; A47G 9/1063;
A47G 9/1072; A47G 9/1081; A47G
9/109; A45F 4/06; A47C 21/06; A47C
7/18; A47C 20/00; A47C 17/80; A47C
17/82; A47C 17/64; A47C 27/00; A47C
27/14; A47C 23/00

See application file for complete search history.

(56) **References Cited**

U.S. PATENT DOCUMENTS

D201,492 S * 6/1965 Jacobson D6/601
D382,435 S * 8/1997 Schaffner D6/596
6,052,848 A * 4/2000 Kelly A47C 20/021
5/630
D431,745 S * 10/2000 Jackson D6/601
D453,653 S * 2/2002 Tunnell A47C 20/021
D6/601
6,499,164 B1 * 12/2002 Leach A47C 20/021
5/630

OTHER PUBLICATIONS

Google search: "pregnancy support cushion" [site visited Dec. 18, 2021]: https://www.google.com/search?q=pregnancy+support+cushion&sxsrf=AOaemvKnOOwgzKIYQt7taD5lmY6nX5psSw:1637090673579&source=lnms&tbm=isch&sa=X&ved=2ahUKEwjT38CAzp30AhWCmXIEHbohBq8Q_AUoAnoECAEQBA&biw=1200&bih=1777&dpr=1 (Year: 2021).
Google search: "pregnancy support" [site visited Nov. 16, 2021]: https://www.google.com/search?q=pregnancy+support&sxsrf=AOaemv144E-3q_zo7QgG3yvmeXKkAphK3g:1637090615024&source=lnms&tbm=isch&sa=X&ved=2ahUKEwjM7crkzZ30AhV8kHIEHdZ6C84Q_AUoAnoECAIQBA&biw=1200&bih=1777&dpr=1 (Year: 2021).
(Continued)

Primary Examiner — Sanjeev Paul

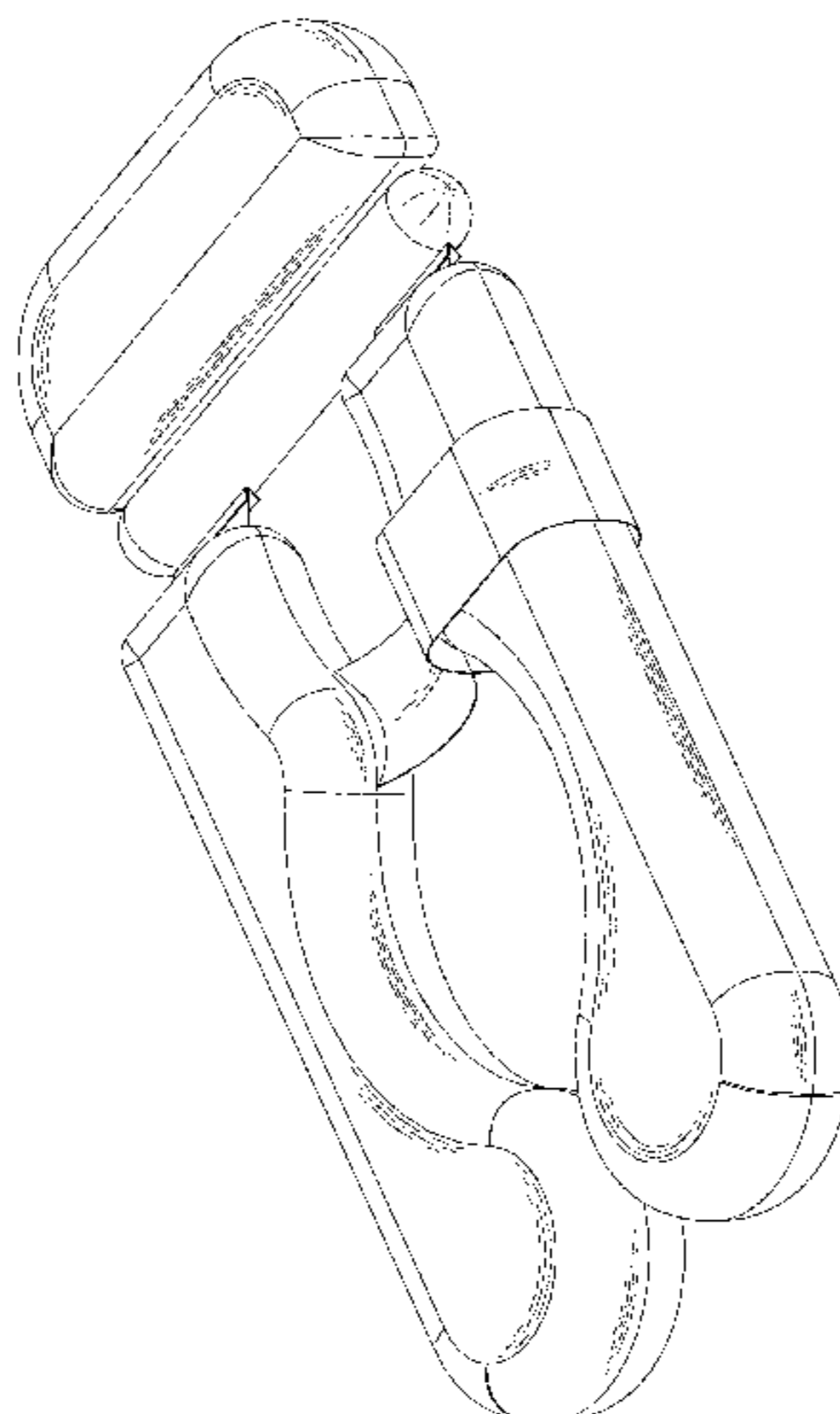
(57) **CLAIM**

The ornamental design for a pregnancy pillow, as shown and described.

DESCRIPTION

FIG. 1 is a perspective view of a pregnancy pillow showing my new design;
FIG. 2 is a front elevational view thereof;
FIG. 3 is a rear elevational view thereof;
FIG. 4 is a left side elevational view thereof;
FIG. 5 is a right side elevational view thereof;
FIG. 6 is a top plan view thereof; and,
FIG. 7 is a bottom plan view thereof.

1 Claim, 7 Drawing Sheets



(56)

References Cited

U.S. PATENT DOCUMENTS

| | | | | | | |
|--------------|----|---|---------|-----------|-------|----------------------|
| D864,611 | S | * | 10/2019 | Gao | | D6/601 |
| 10,736,444 | B1 | * | 8/2020 | Leach | | A61G 13/1225 |
| D906,013 | S | * | 12/2020 | Chunyu | | D6/601 |
| D908,395 | S | * | 1/2021 | David | | D6/601 |
| D908,396 | S | * | 1/2021 | Chen | | D6/604 |
| D913,725 | S | * | 3/2021 | Yan | | D6/601 |
| D914,398 | S | * | 3/2021 | Gao | | D6/601 |
| D923,971 | S | * | 7/2021 | Qiu | | D6/601 |
| 2006/0174413 | A1 | * | 8/2006 | Kakehashi | | A47G 9/10 5/632 |
| 2007/0283495 | A1 | * | 12/2007 | Ghani | | A47G 9/10 5/636 |
| 2008/0148487 | A1 | * | 6/2008 | Lord | | A47C 20/027 5/632 |

FOREIGN PATENT DOCUMENTS

| | | | |
|----|-----------|---|--------|
| CN | 306346248 | * | 2/2021 |
| CN | 306773972 | * | 8/2021 |
| CN | 306807400 | * | 9/2021 |

OTHER PUBLICATIONS

Google search: "pregnancy pillow" [site visited Dec. 18, 2021]: https://www.google.com/search?q=pregnancy+pillow&hl=en&sxsrf=AOaemvJ8wDfeKNOqvb_bcpfhGn2-5GLXvg:1639852317833&source=lnms&tbm=isch&sa=X&ved=2ahUKEwjzpl33_e30AhXlmHIEHcoNBQIQ_AUoAnoECBUQBA&biw=1200&bih=1777&dpr=1 (Year: 2021).*

Google search: "pregnancy support pillow" [site visited Dec. 18, 2021]: https://www.google.com/search?q=pregnancy+support+pillow&sxsrf=AOaemvJlt6gnloJ_589FV70H96lockT_-g:1639852366571&source=lnms&tbm=isch&sa=X&ved=2ahUKEwjmiKyO_u30AhVygnIEHeUZCclQ_AUoAnoECAEQBA&biw=1200&bih=1777&dpr=1 (Year: 2021).*

Google search: "pregnancy wedge pillow" [site visited Dec. 18, 2021]: https://www.google.com/search?q=pregnancy+wedge+pillow&sxsrf=AOaemvJyai3aNwk6MU0eclq5Vbfc-m3Mqg:1639852452376&source=lnms&tbm=isch&sa=X&ved=2ahUKEwjGoaG3_u30AhXcp3IEHVBgBJAQ_AUoAnoECAEQBA&biw=1200&bih=1777&dpr=1 (Year: 2021).*

* cited by examiner

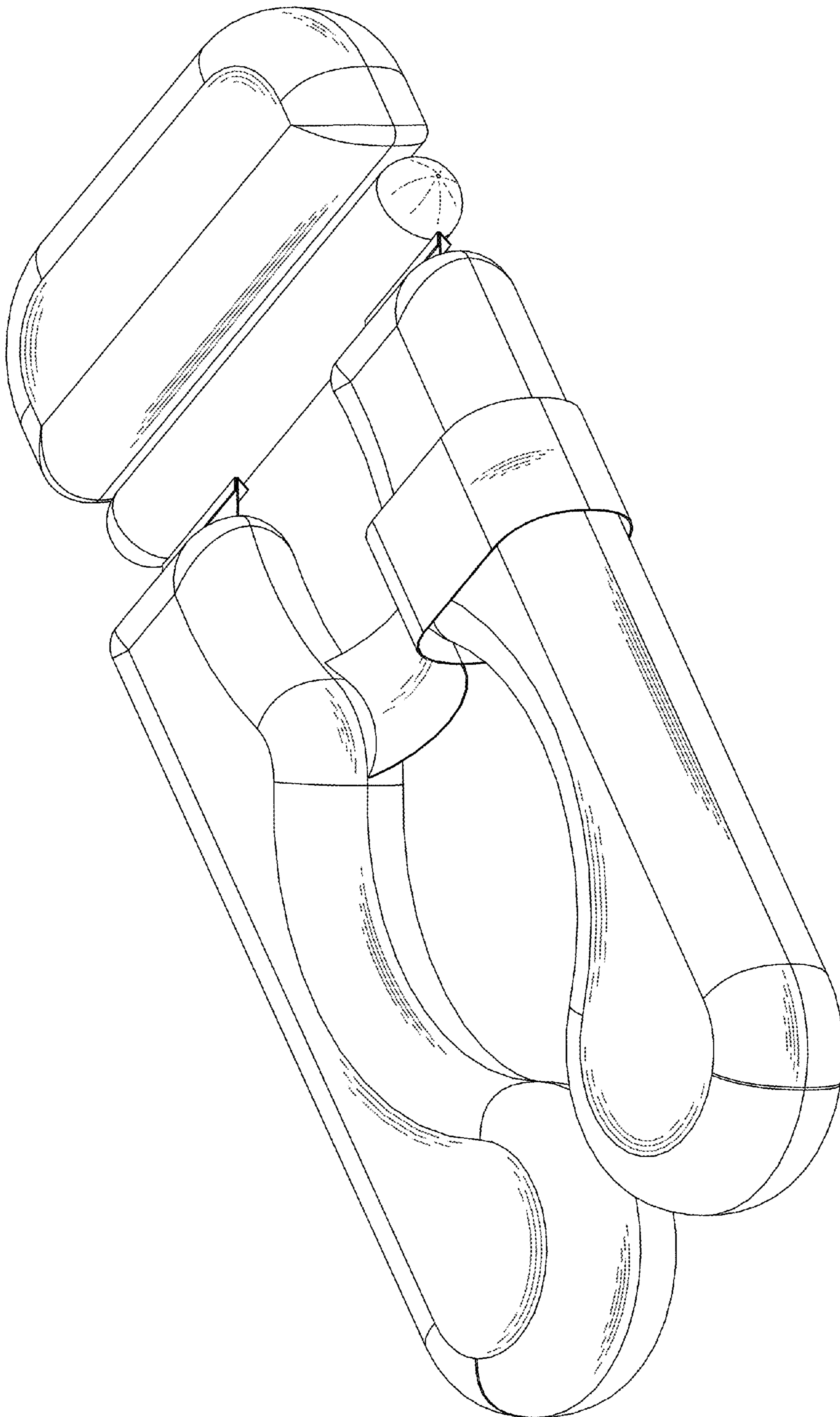


FIG.1

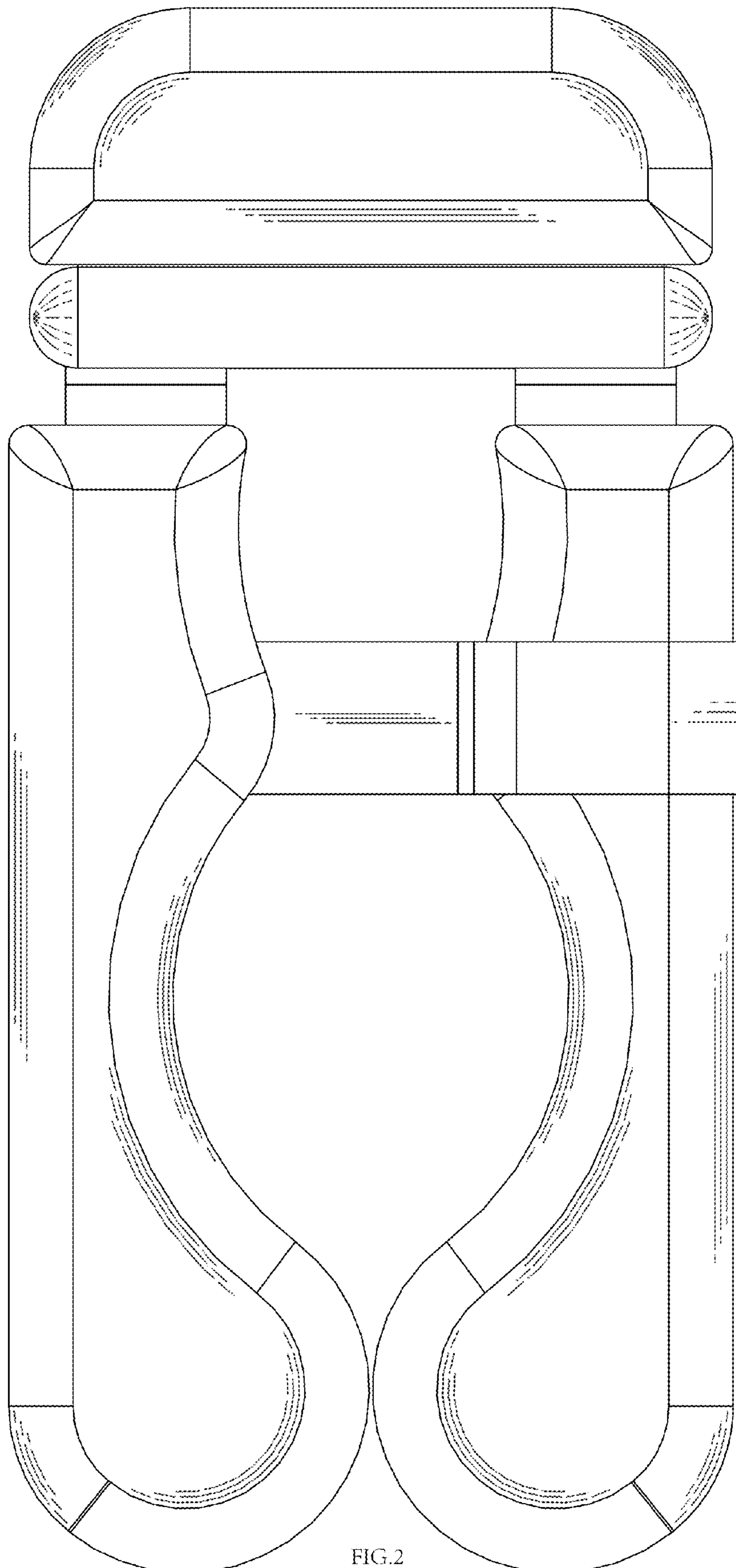


FIG. 2

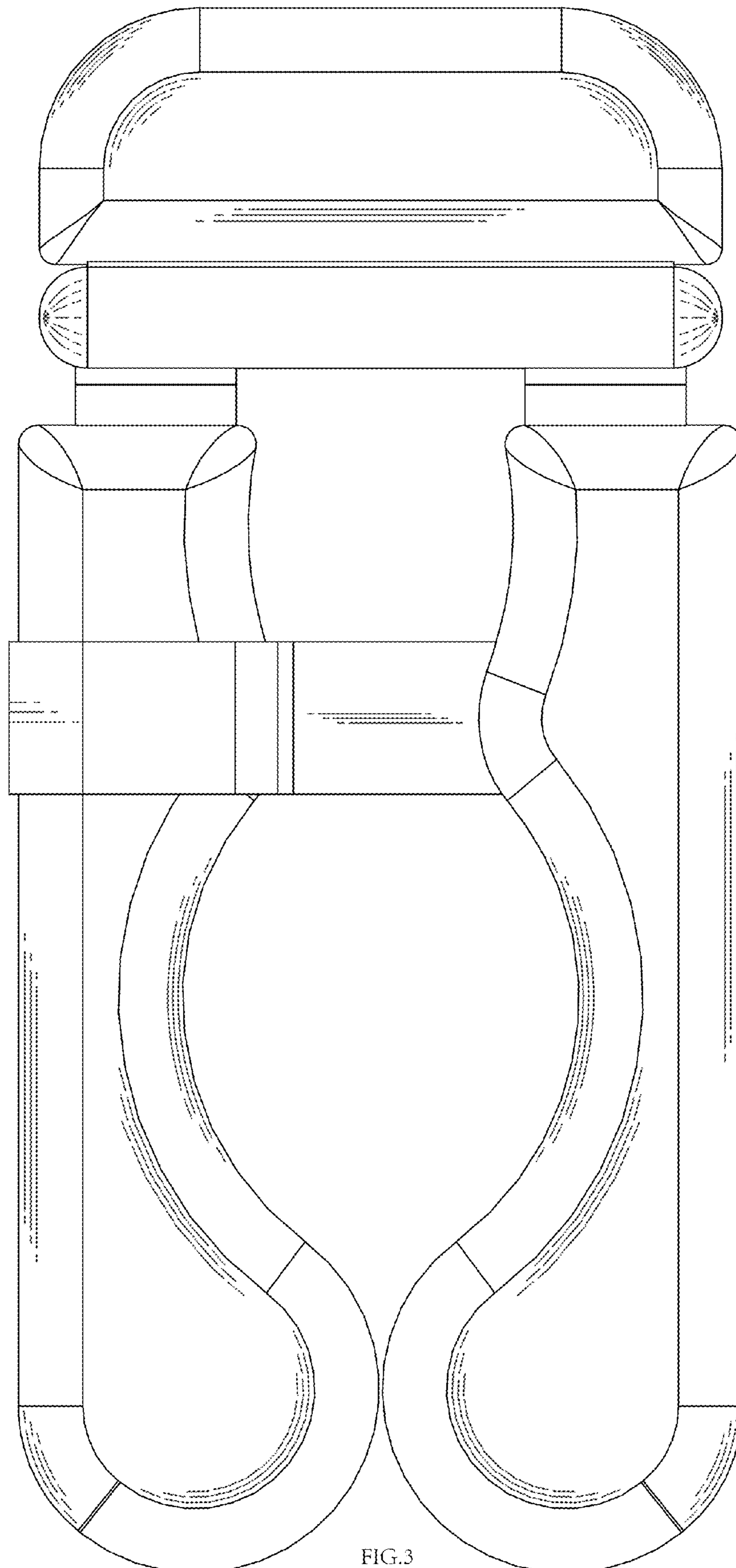


FIG. 3

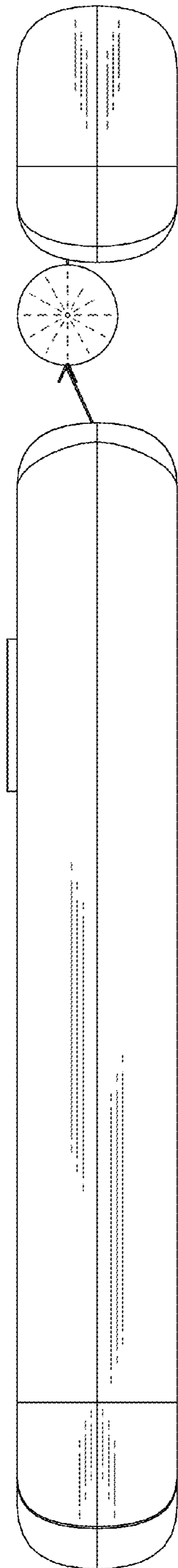


FIG.4

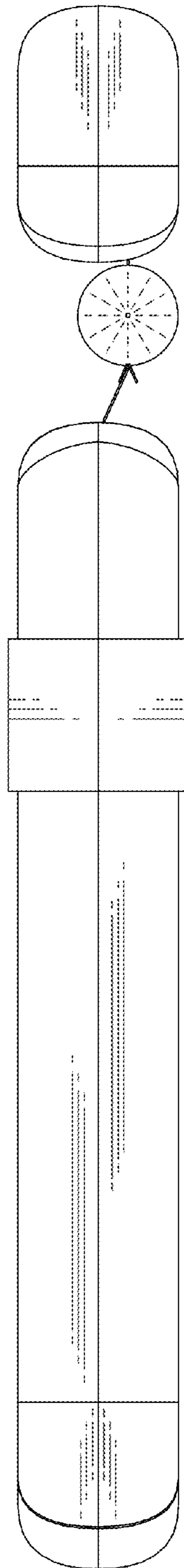


FIG.5

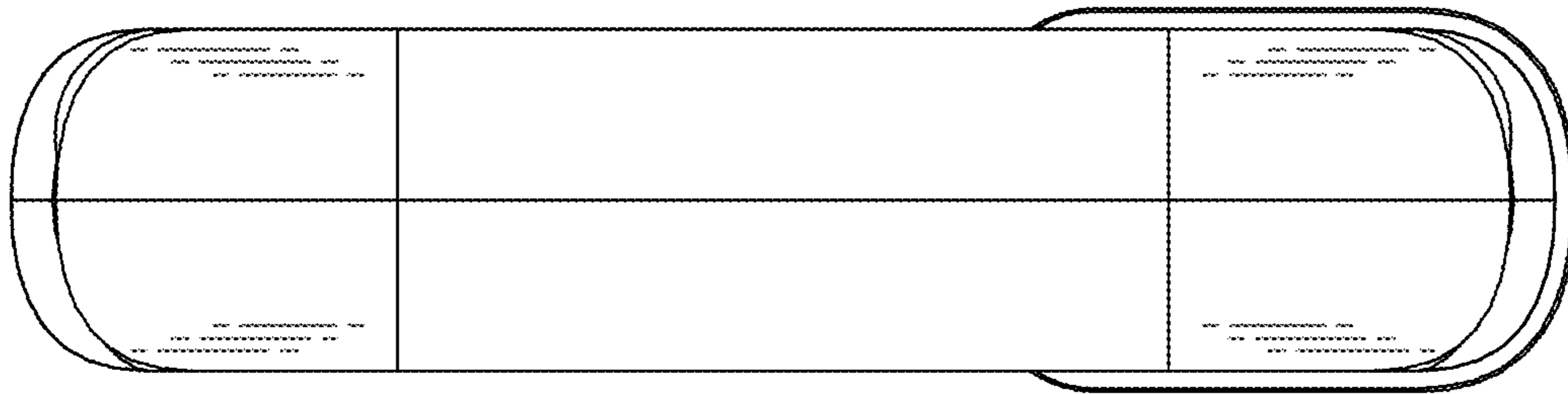


FIG.6

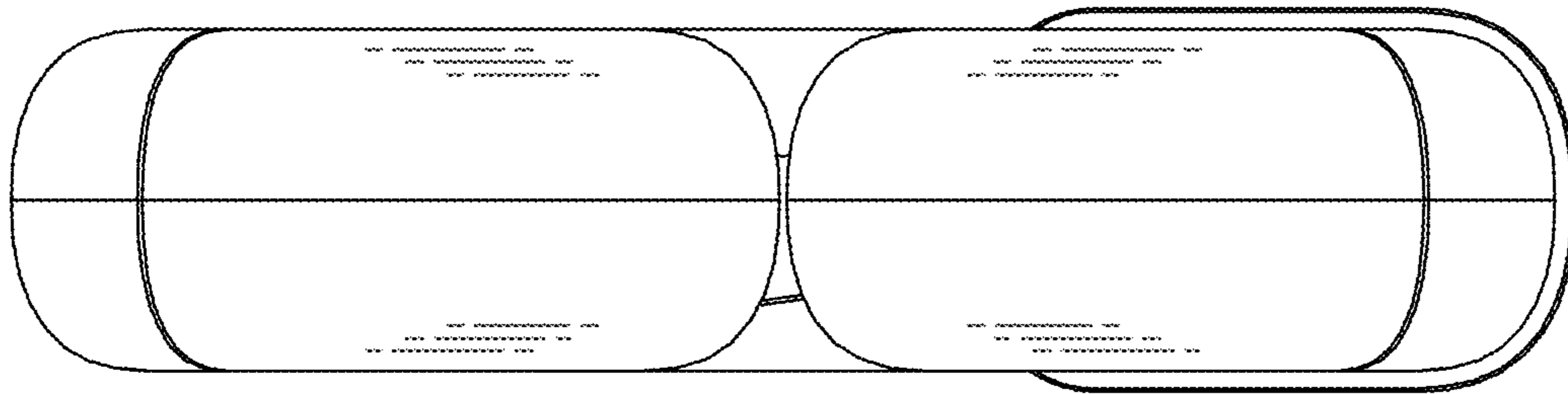


FIG.7