



US00D962678S

(12) **United States Design Patent**  
**Cai**

(10) **Patent No.:** **US D962,678 S**  
(45) **Date of Patent:** **\*\* Sep. 6, 2022**

(54) **BATH MAT**  
(71) Applicant: **FOSHAN SHUNDE YIDE PLASTICS CO., LTD.**, Guangdong (CN)  
(72) Inventor: **Qixuan Cai**, Foshan (CN)  
(73) Assignee: **FOSHAN SHUNDE YIDE PLASTICS CO., LTD.**

D923,966 S \* 7/2021 Wu ..... D6/582  
D925,248 S \* 7/2021 Venugopal ..... D6/583  
D945,793 S \* 3/2022 Cai ..... A47G 27/0218  
D6/586  
2004/0202854 A1\* 10/2004 Esparza ..... B32B 25/10  
428/314.4  
2007/0087184 A1\* 4/2007 Derin ..... A47C 27/122  
442/56  
2007/0107662 A1\* 5/2007 Queen ..... A47G 27/0206  
119/28.5  
2021/0093115 A1\* 4/2021 Neill ..... B29C 45/02

\* cited by examiner

(\*\*) Term: **15 Years**

*Primary Examiner* — Kevin K Rudzinski  
*Assistant Examiner* — Clare Ann Gannon

(21) Appl. No.: **29/772,509**

(22) Filed: **Mar. 2, 2021**

(57) **CLAIM**

(51) **LOC (13) Cl.** ..... **06-11**

The ornamental design for bath mat, as shown and described.

(52) **U.S. Cl.**

USPC ..... **D6/585**; D6/583

**DESCRIPTION**

(58) **Field of Classification Search**

USPC ..... D6/582–584, 586–588, 592; D21/792  
CPC ..... A47G 27/0206; A47G 27/0212; A47G 27/0218; A47G 27/0225; A47G 27/0237; A47G 27/025; A47G 27/0281; A47G 27/0468; A47G 9/062; A62B 6/00; A62B 21/4037; A47K 3/002; A47K 3/003

See application file for complete search history.

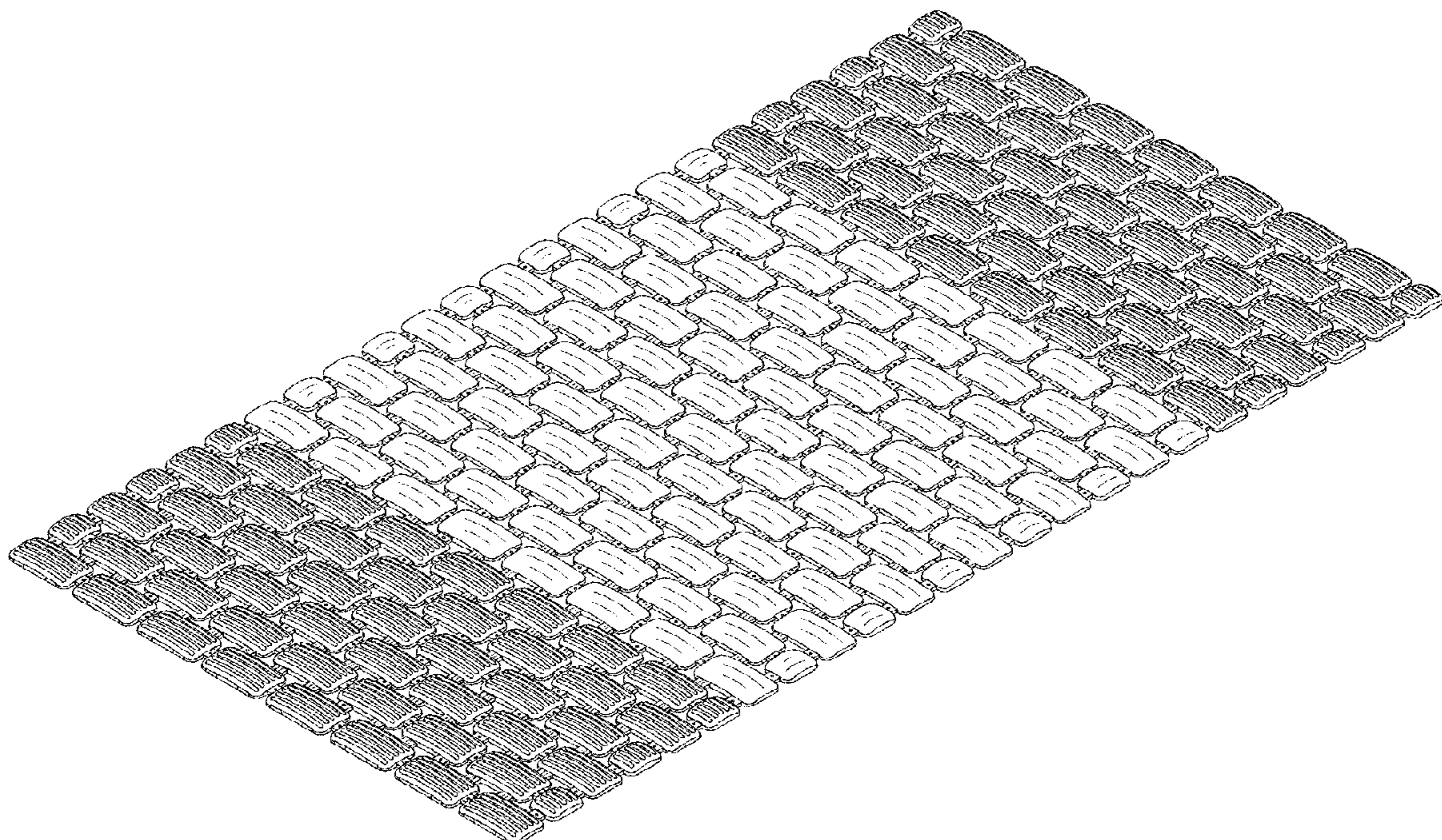
FIG. 1 is a top view of the bath mat showing my new design;  
FIG. 2 is a bottom view thereof;  
FIG. 3 is a left side view thereof;  
FIG. 4 is a right side view thereof;  
FIG. 5 is a front view thereof;  
FIG. 6 is a back view thereof;  
FIG. 7 is a perspective view thereof;  
FIG. 8 is another perspective view thereof;  
FIG. 9 is an enlarged illustration of the portion of the bath mat encircled at 9 in FIG. 3.  
FIG. 10 is an enlarged illustration of the portion of the bath mat encircled at 10 in FIG. 3; and,  
FIG. 11 is an enlarged illustration of the portion of the bath mat encircled at 11 in FIG. 5.

(56) **References Cited**

**U.S. PATENT DOCUMENTS**

2,239,871 A \* 4/1941 Bell ..... A47G 27/0218  
52/663  
D456,197 S \* 4/2002 McClure ..... B29C 45/02  
D6/596  
D782,750 S \* 3/2017 Denney ..... D30/158  
D811,773 S \* 3/2018 Yang ..... D6/582

**1 Claim, 11 Drawing Sheets**



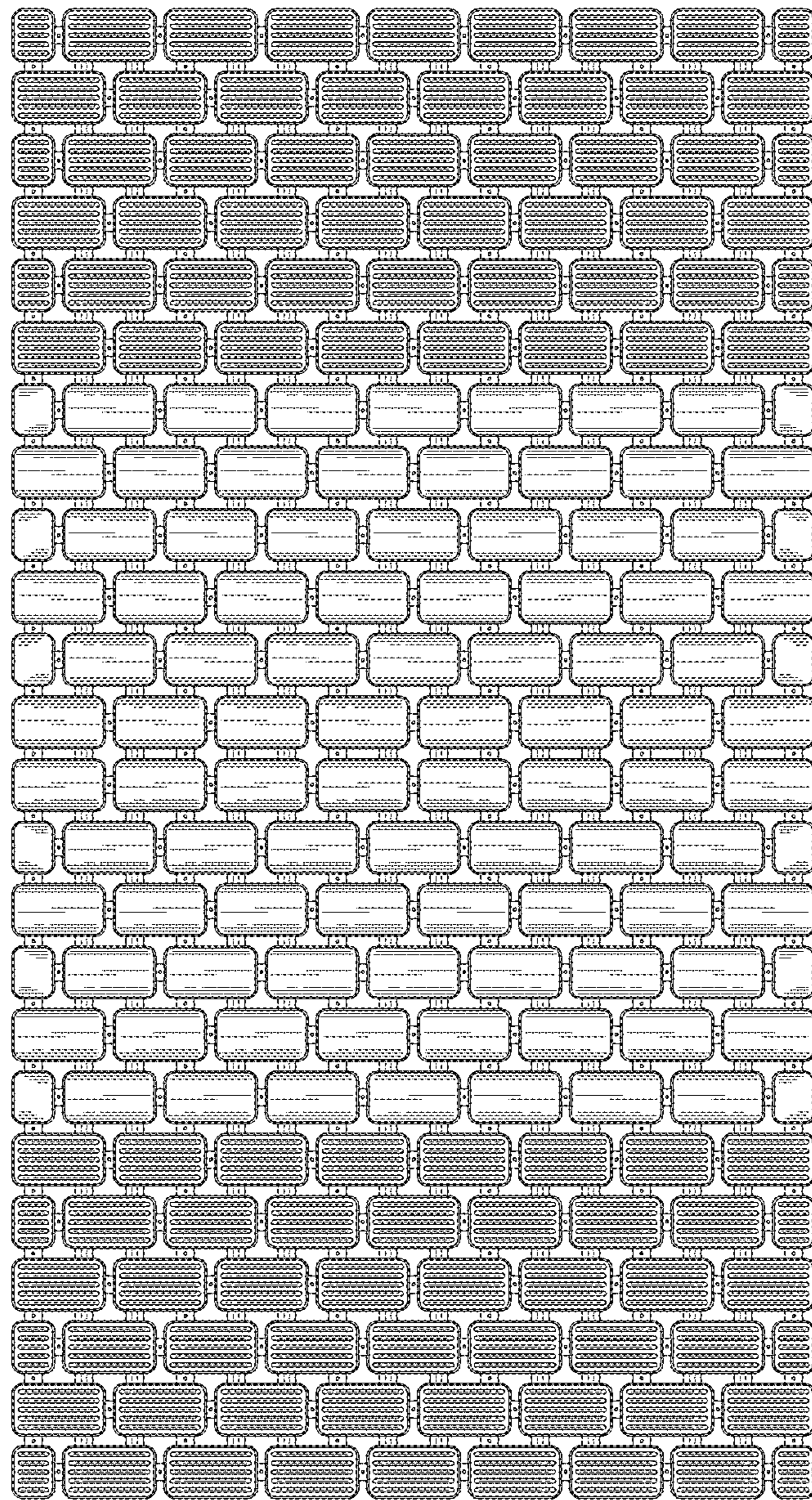


FIG. 1

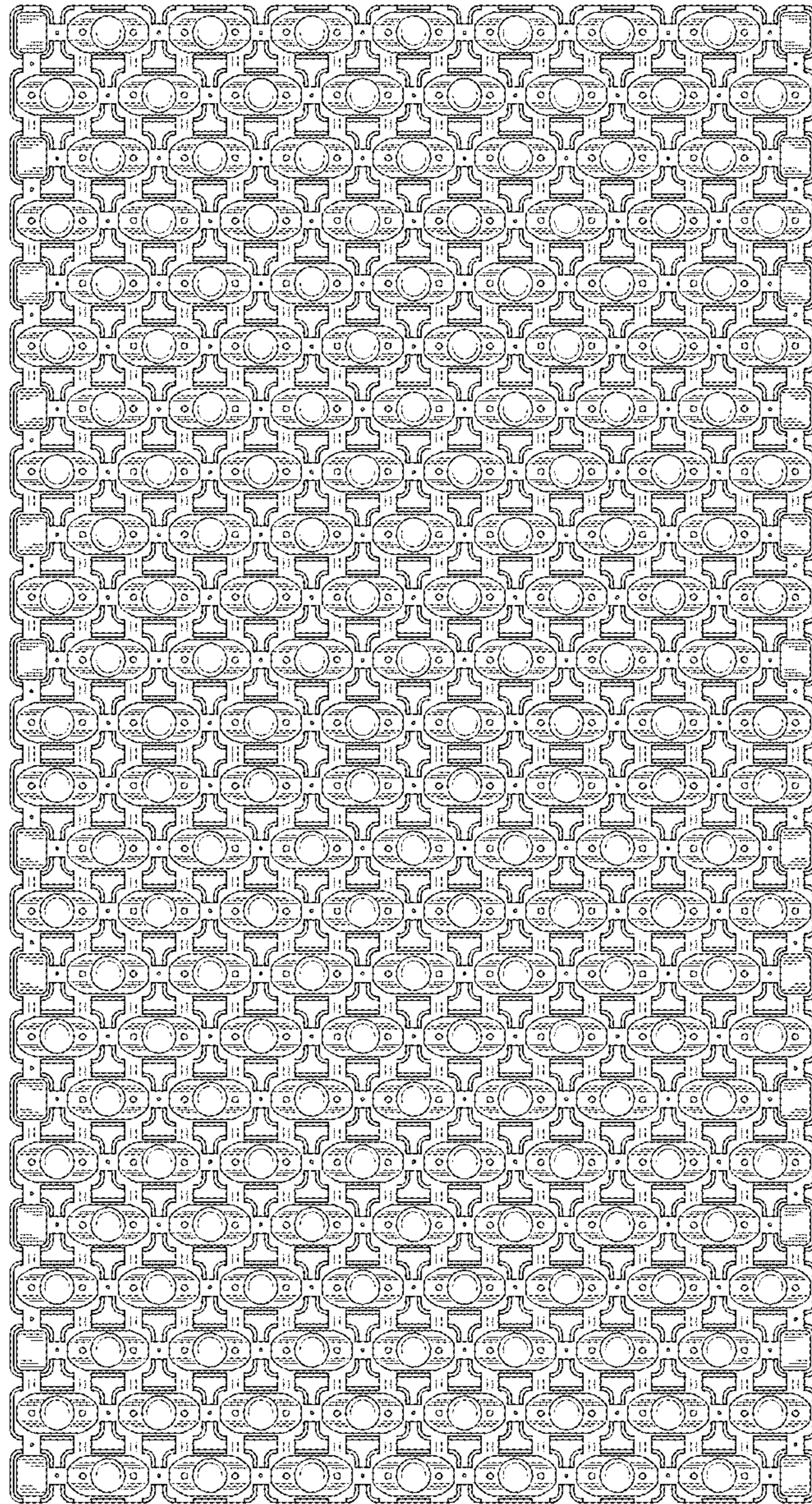


FIG. 2

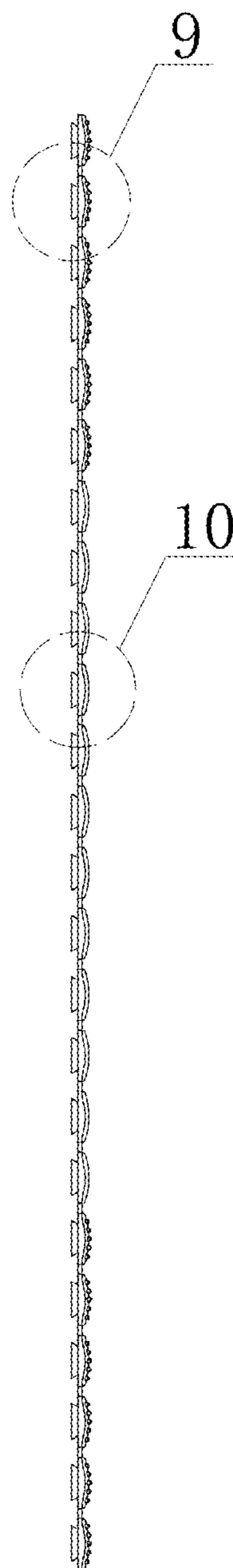


FIG. 3



FIG. 4

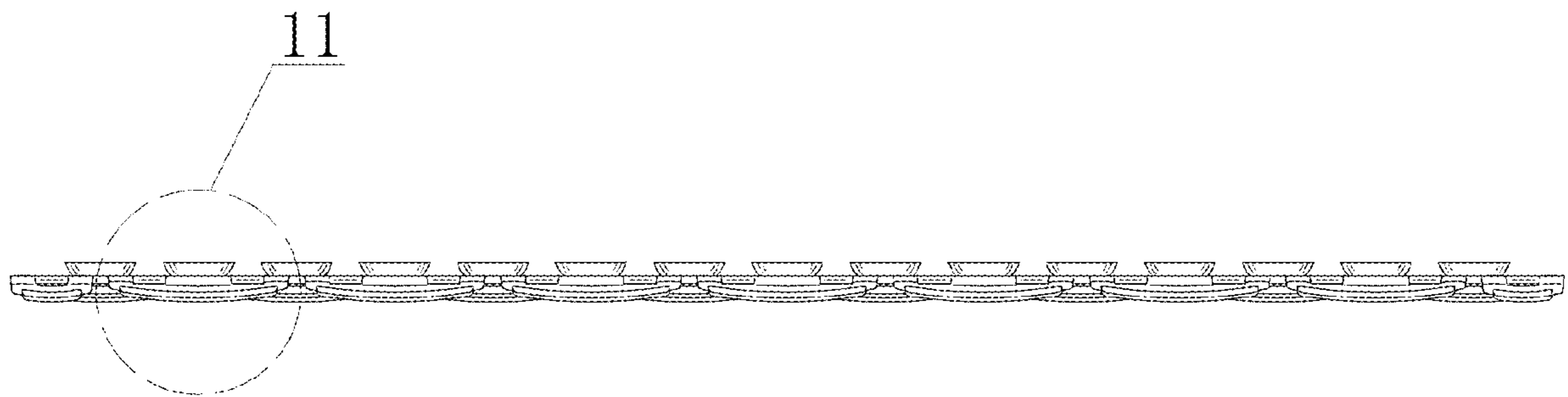


FIG. 5

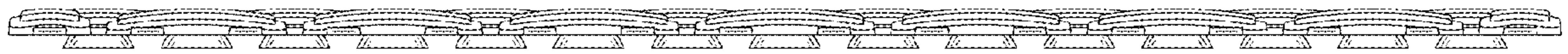


FIG. 6

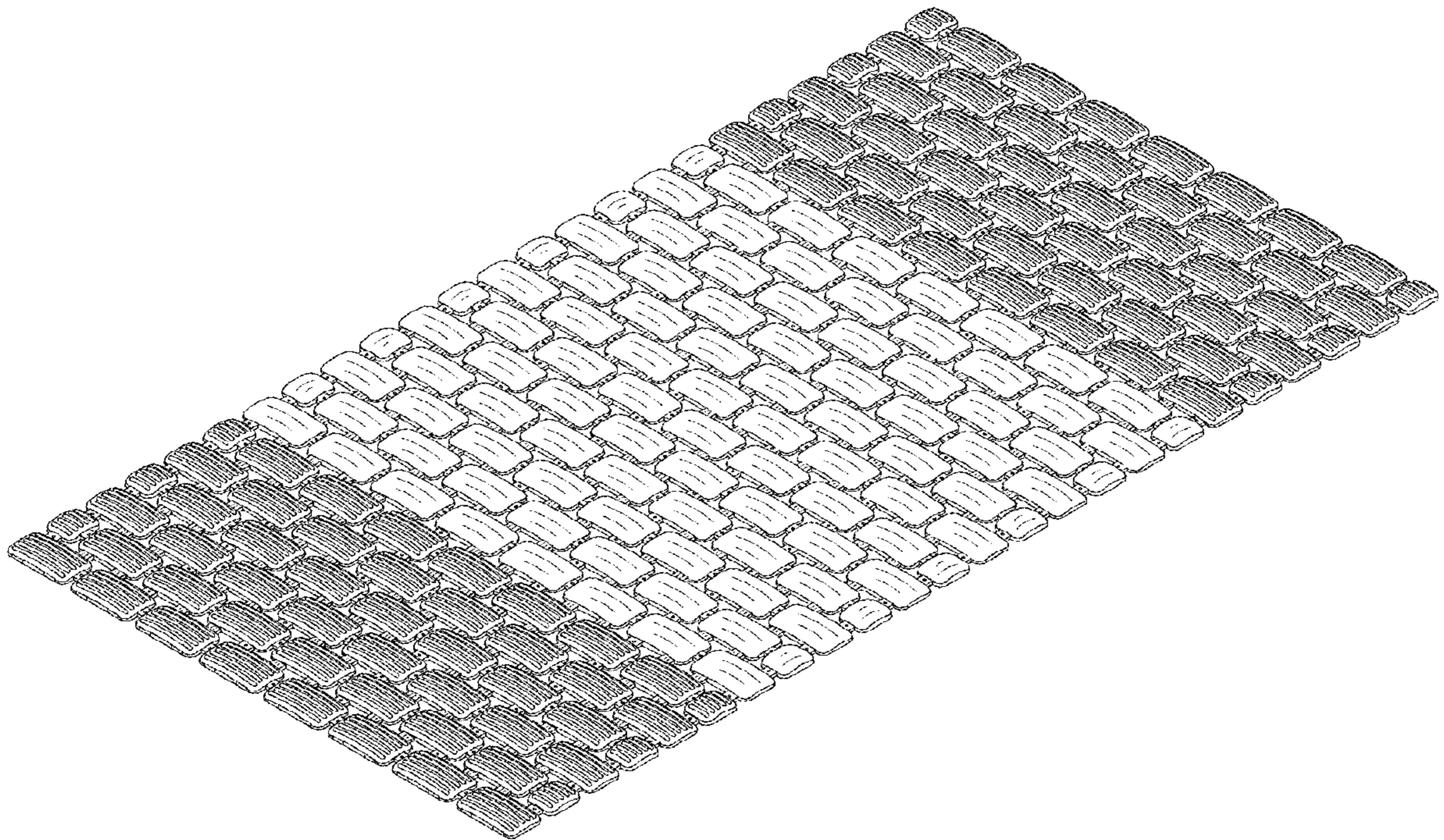


FIG. 7



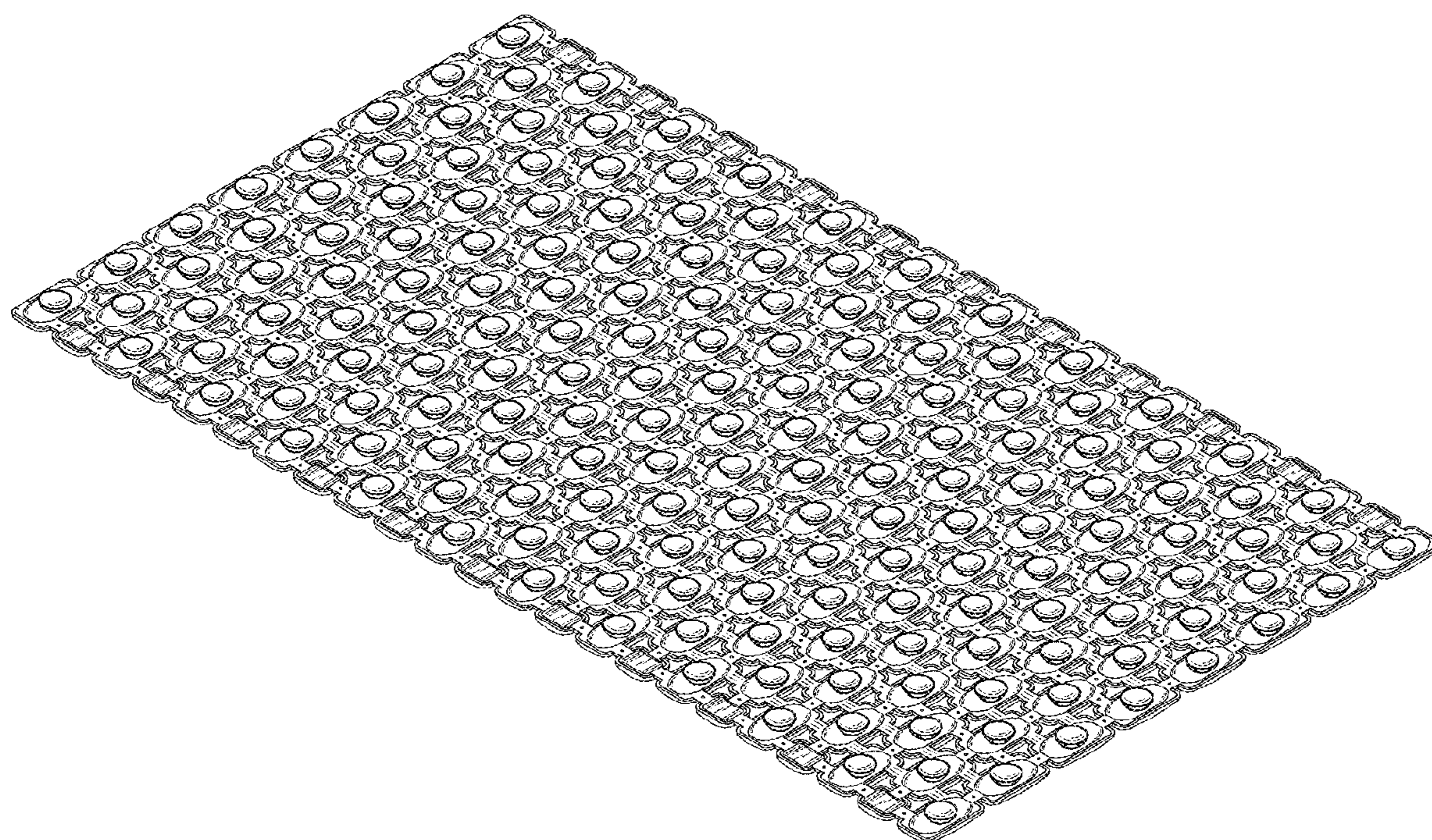


FIG. 8

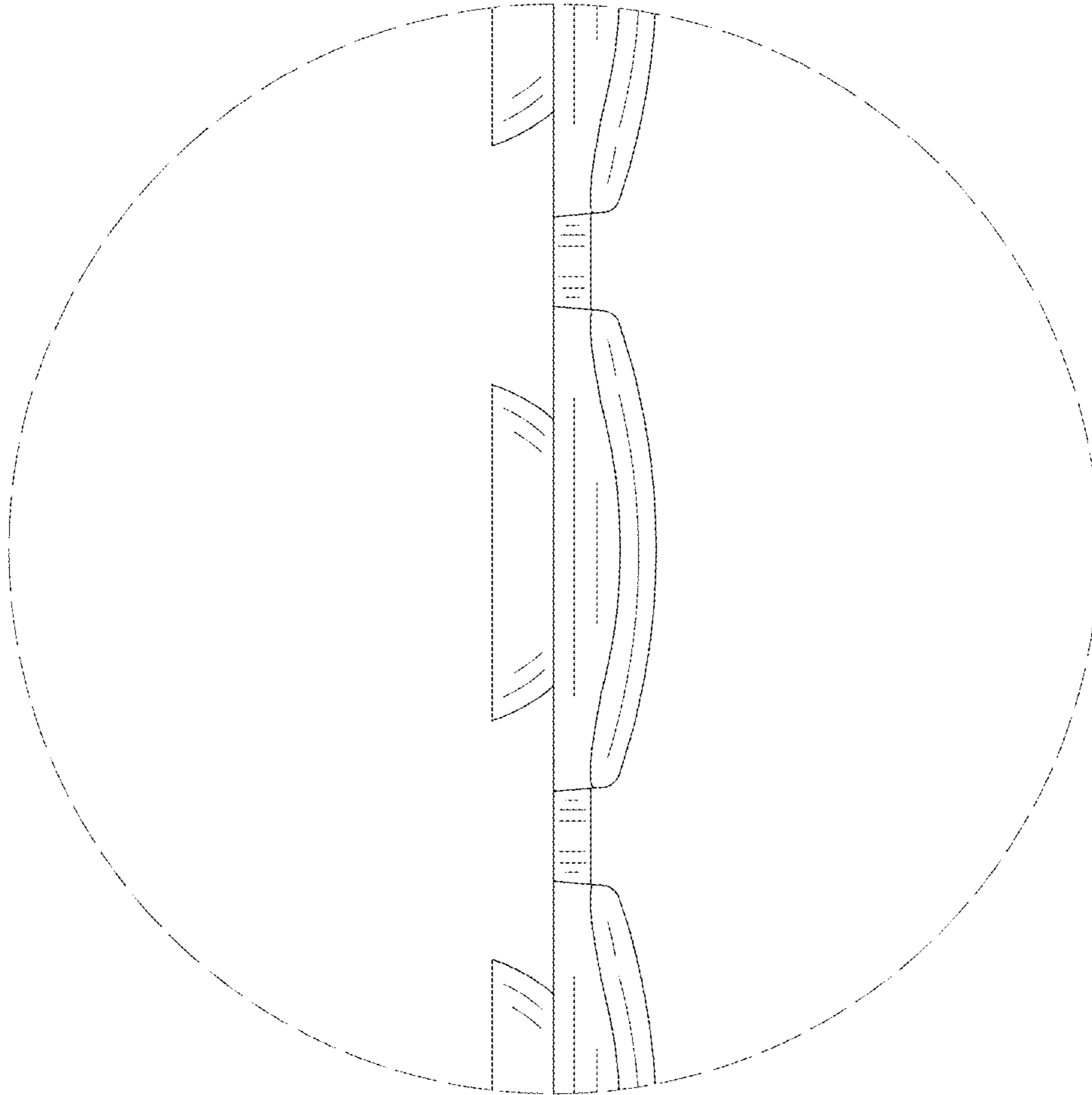


FIG. 9

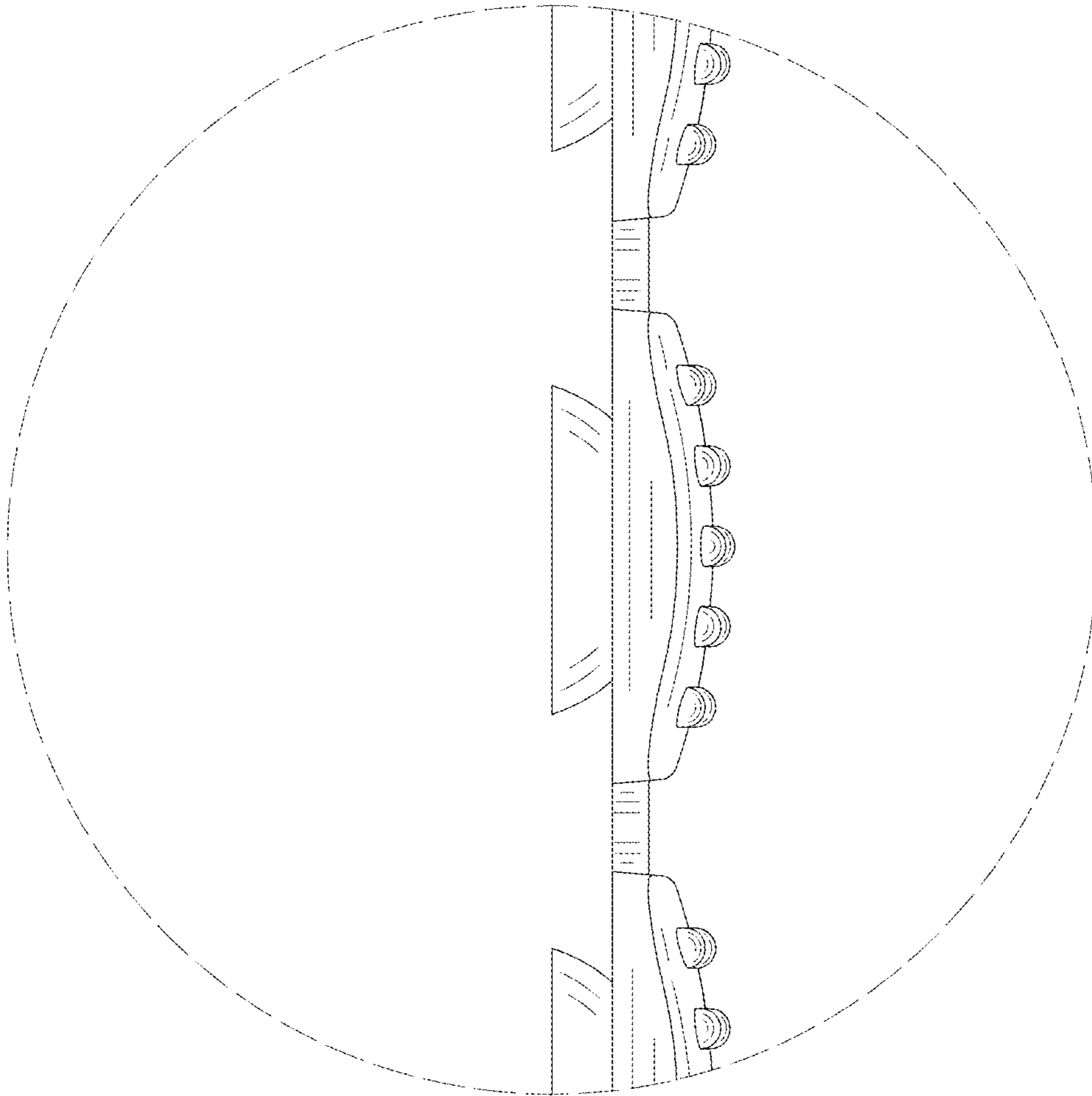


FIG. 10

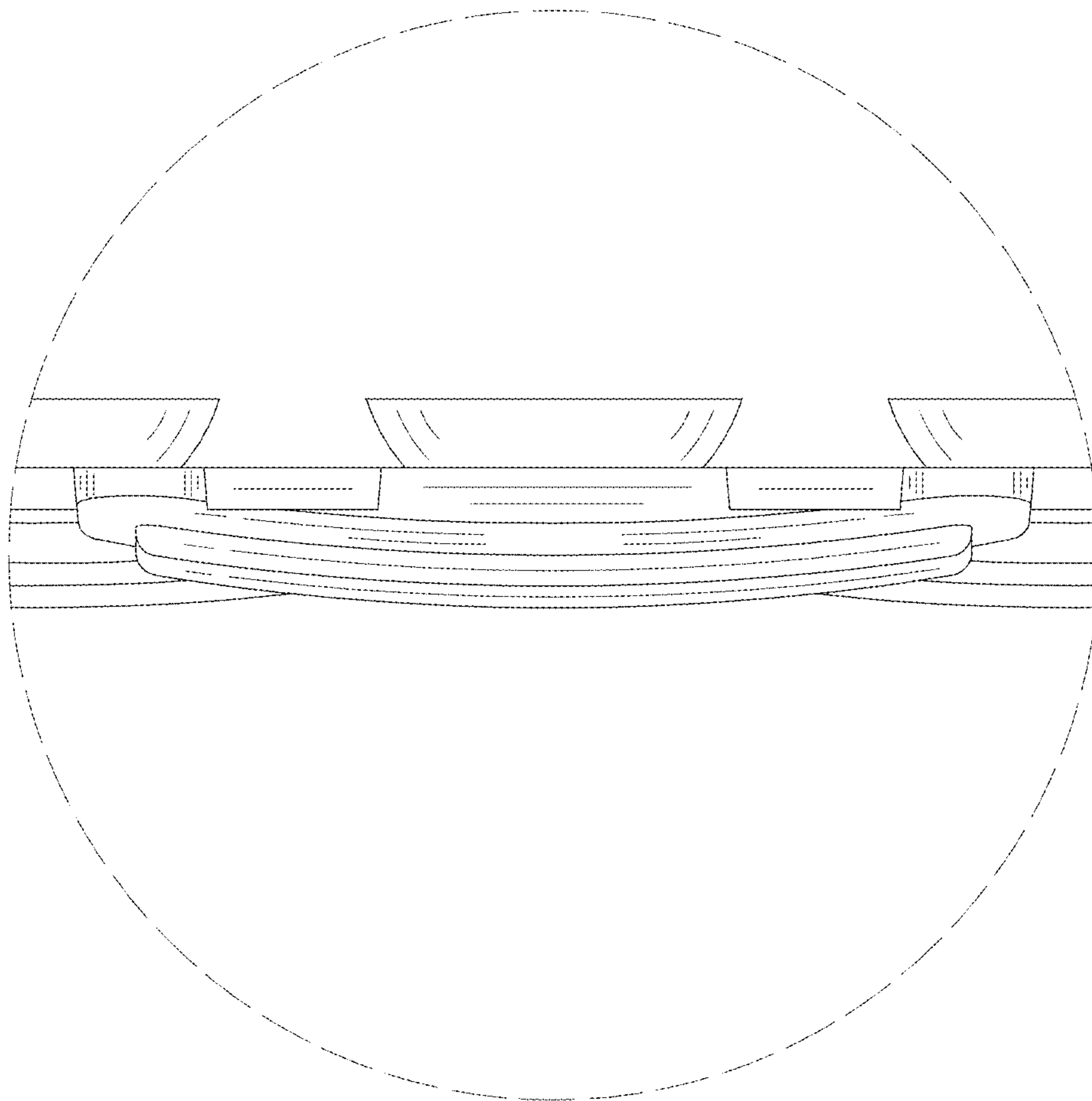


FIG. 11