



US00D962676S

(12) **United States Design Patent** Eng (10) **Patent No.:** **US D962,676 S**  
(45) **Date of Patent:** **\*\* Sep. 6, 2022**

(54) **BEDSIDE SHELF**  
(71) Applicant: **Christopher Eng**, Santa Ana, CA (US)  
(72) Inventor: **Christopher Eng**, Santa Ana, CA (US)  
(\*\*) Term: **15 Years**  
(21) Appl. No.: **29/692,741**  
(22) Filed: **May 28, 2019**  
(51) **LOC (13) Cl.** ..... **06-03**  
(52) **U.S. Cl.**  
USPC ..... **D6/574**  
(58) **Field of Classification Search**  
USPC ..... D6/574, 512–514, 555, 567; D3/303,  
D3/305, 308, 310, 313, 316, 317, 319,  
D3/902; 190/1, 9, 11, 13 R, 104, 106,  
190/107, 110, 111, 115; 206/278, 286,  
206/289, 9, 278.1, 298, 315.1, 579;  
211/13.1, 85.3, 113, 26.1, 86.01; 220/9.1,  
220/666, 912  
CPC ..... A47B 23/025; A47B 3/002; A47B 23/02;  
A47B 23/00; A47B 23/04; A47B  
2023/049  
See application file for complete search history.

(56) **References Cited**  
U.S. PATENT DOCUMENTS  
D473,065 S \* 4/2003 Wilson ..... D6/406.1  
D620,736 S \* 8/2010 Baello ..... D6/574  
9,924,805 B2 5/2018 Cass  
10,034,806 B1 \* 7/2018 Greenhalgh, Sr. .... A61G 7/05  
D835,920 S \* 12/2018 Sullins ..... D6/406.3  
10,765,223 B2 \* 9/2020 Marino ..... A47C 21/00  
D938,189 S \* 12/2021 Kalman ..... D6/555  
2004/0261175 A1 \* 12/2004 May ..... A47C 7/62  
5/503.1  
2011/0191957 A1 \* 8/2011 Hornbach ..... A61G 7/0513  
5/425  
2015/0296977 A1 \* 10/2015 Calderone ..... A47B 23/025  
5/2.1

(Continued)

Primary Examiner — Mary Shannon Malley

Assistant Examiner — Mark Booker  
(74) Attorney, Agent, or Firm — David Madden;  
Mersenne Law

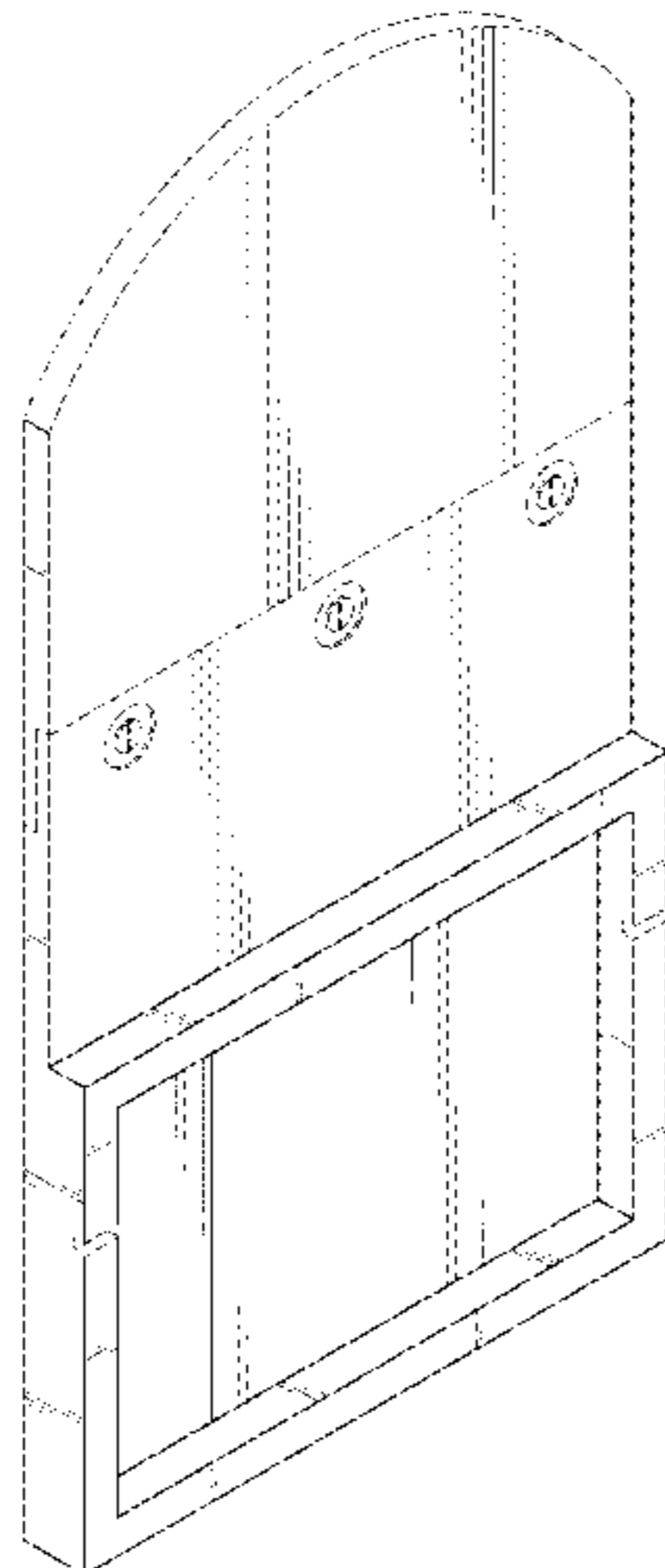
(57) **CLAIM**

I claim the ornamental design for a bedside shelf, as shown and described.

**DESCRIPTION**

FIG. 1 shows a general perspective view of a first embodiment of the invention.  
FIG. 2 shows a top plan view of the embodiment of the invention.  
FIG. 3 shows a bottom plan view of the embodiment of the invention.  
FIG. 4 shows a left side view of the embodiment of the invention. The right side view is a mirror image thereof.  
FIG. 5 shows a front view of the embodiment of the invention.  
FIG. 6 shows a rear view of the embodiment of the invention.  
FIG. 7 shows a general perspective view of a second embodiment of the invention.  
FIG. 8 shows a top plan view of the embodiment of the invention.  
FIG. 9 shows a bottom plan view of the embodiment of the invention.  
FIG. 10 shows a left side view of the embodiment of the invention. The right side view is a mirror image thereof.  
FIG. 11 shows a front view of the embodiment of the invention; and,  
FIG. 12 shows a rear view of the embodiment of the invention.  
The broken lines shown in the figures represent portions of the bedside shelf that form no part of the claimed design.

**1 Claim, 12 Drawing Sheets**



(56)

**References Cited**

U.S. PATENT DOCUMENTS

2016/0058177 A1\* 3/2016 Calderone ..... A47B 3/002  
5/507.1

\* cited by examiner

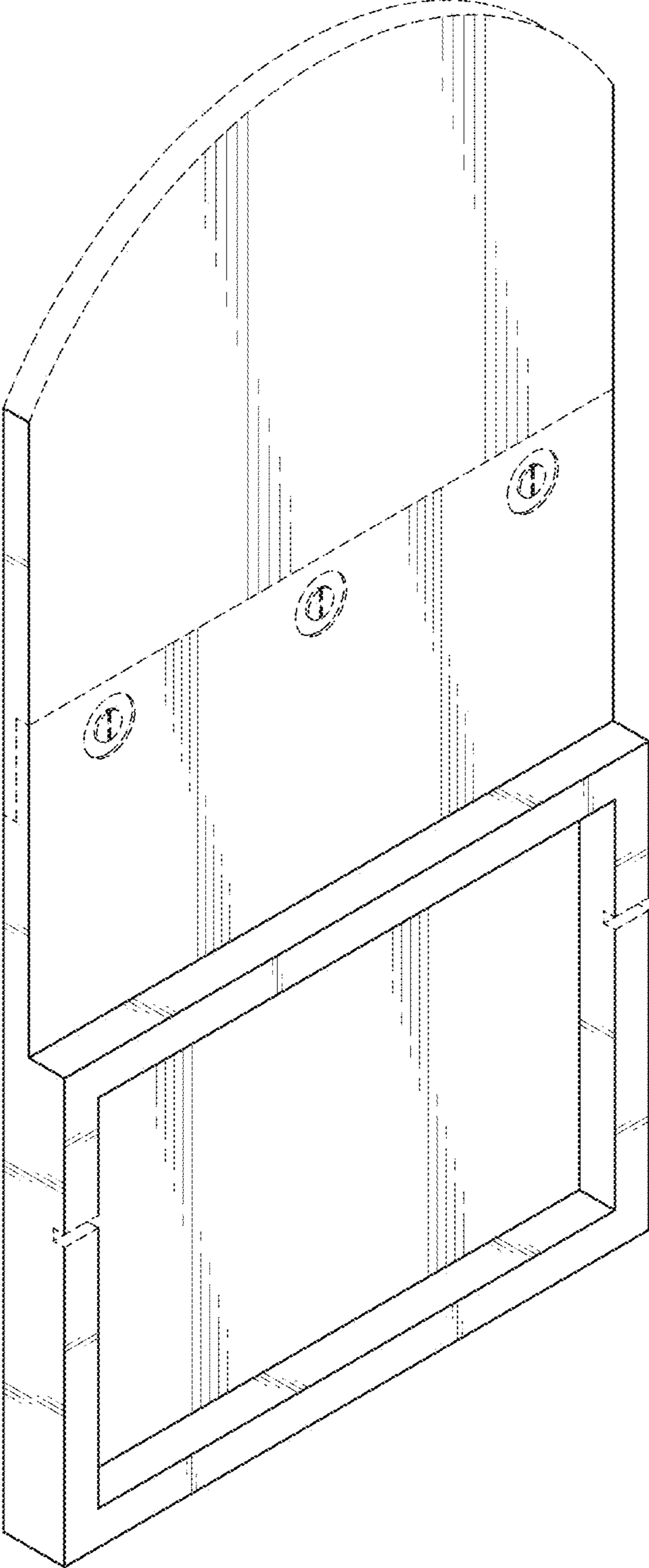


FIG. 1

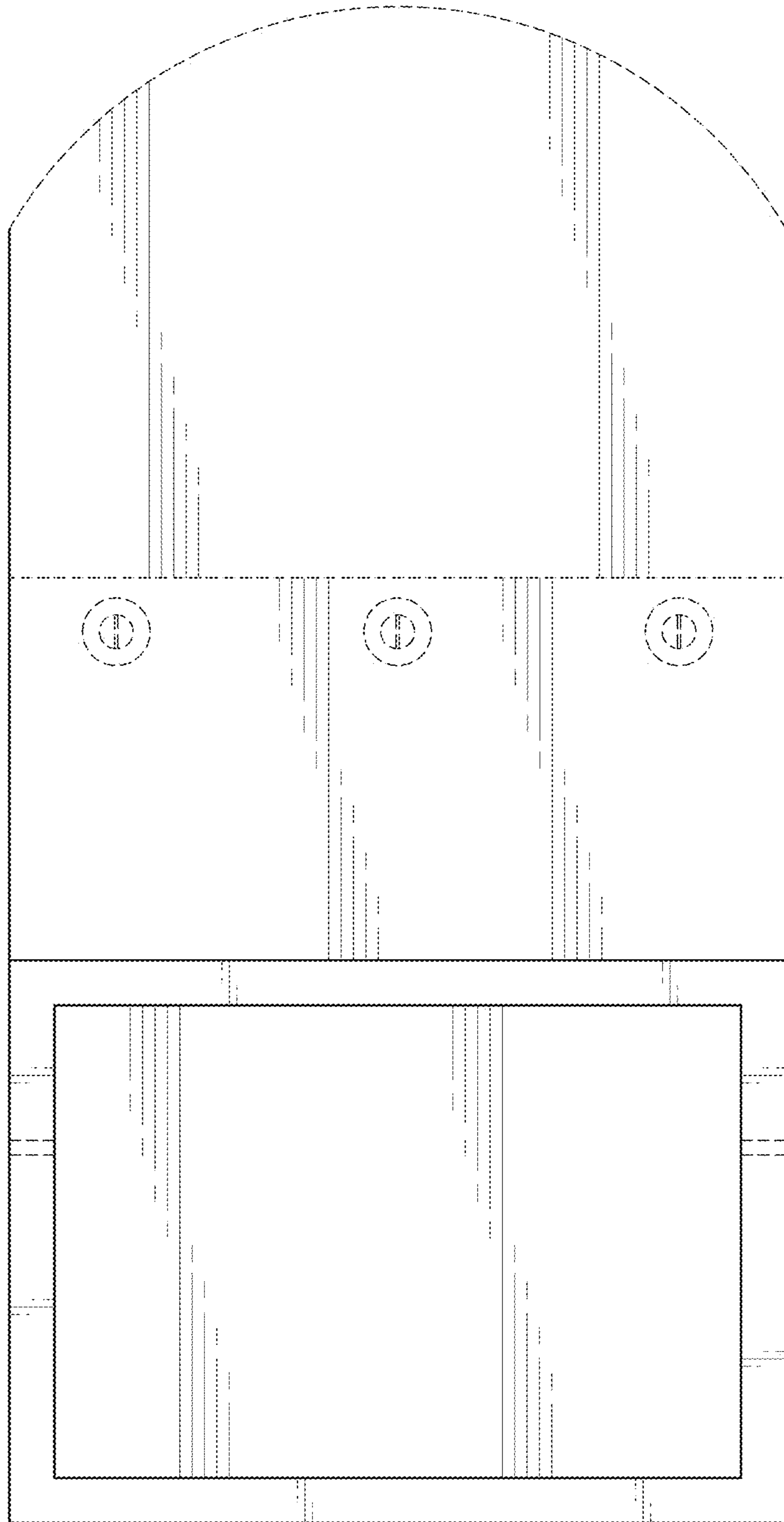


FIG. 2

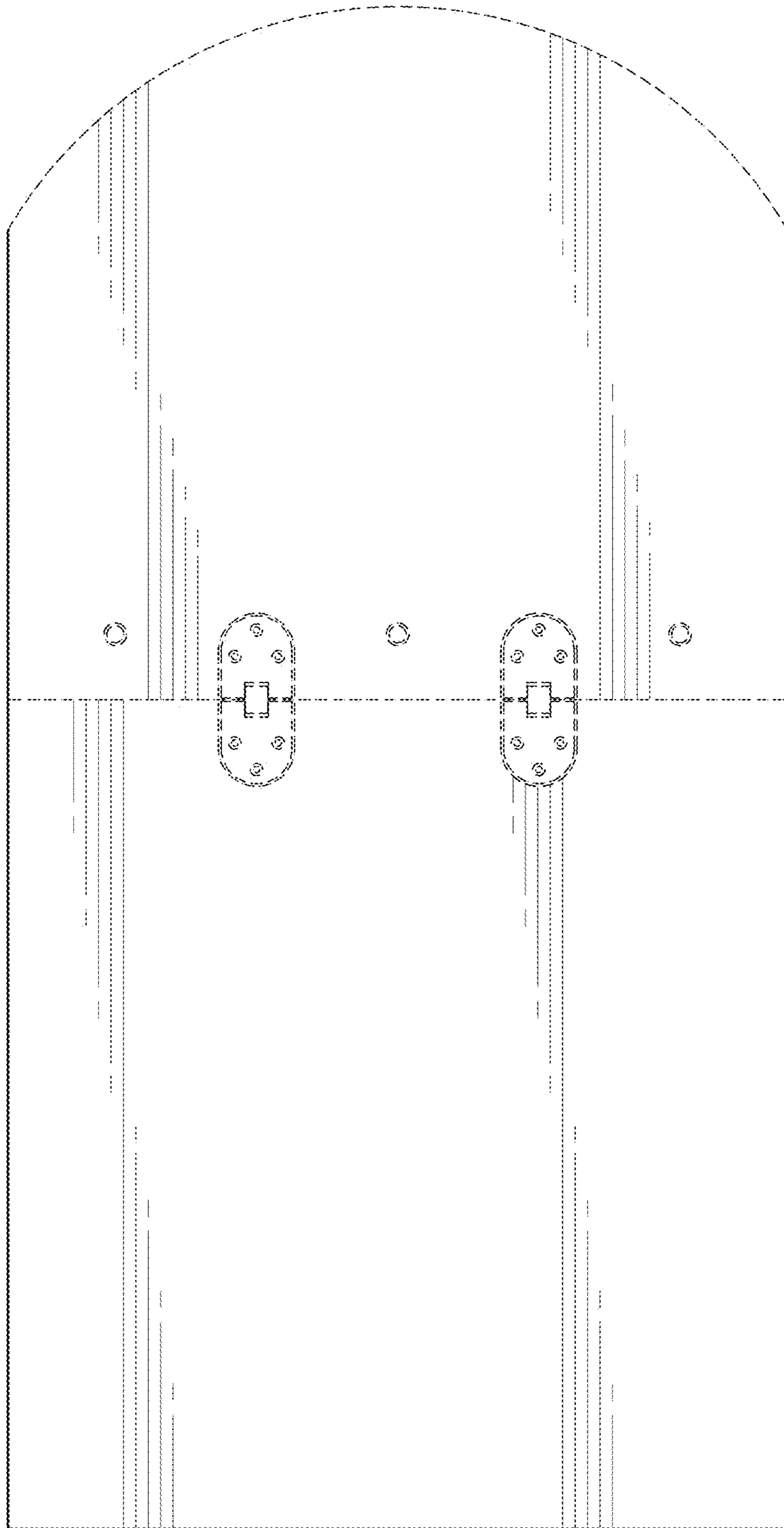


FIG. 3

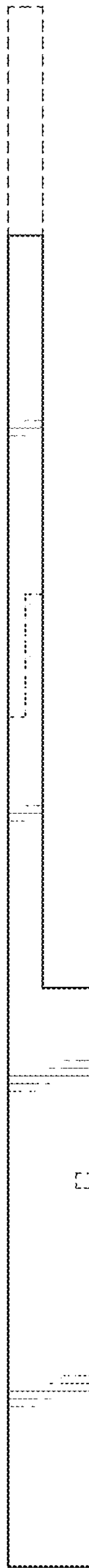


FIG. 4

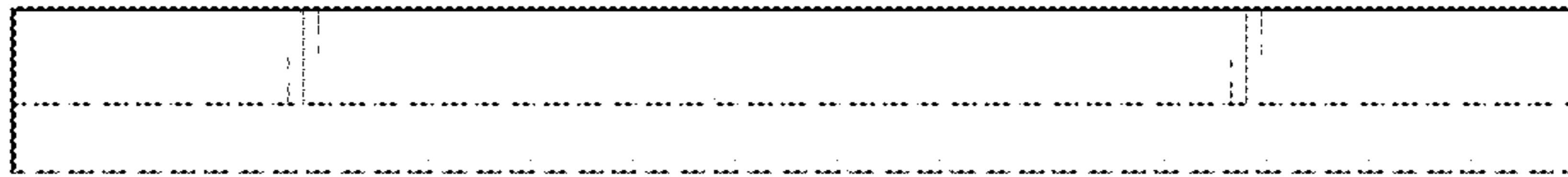


FIG. 5



FIG. 6



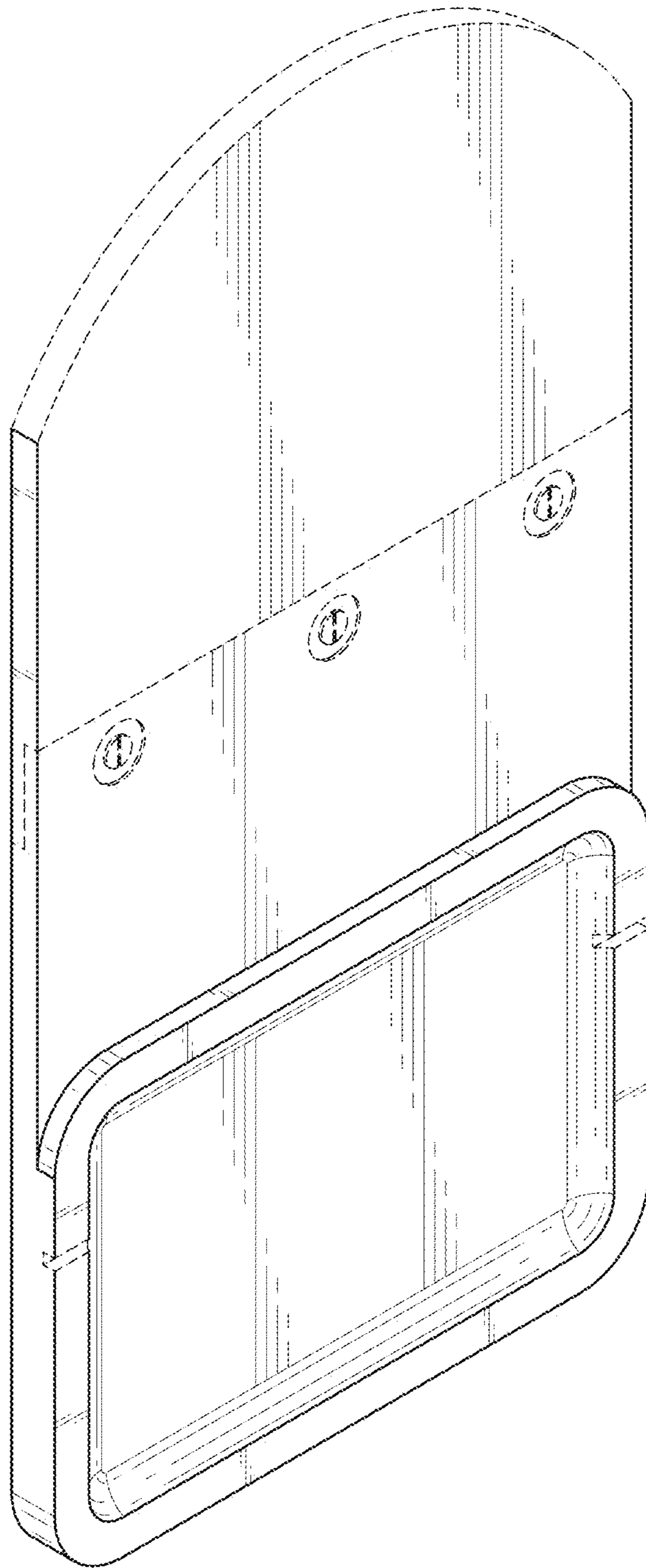


FIG. 7

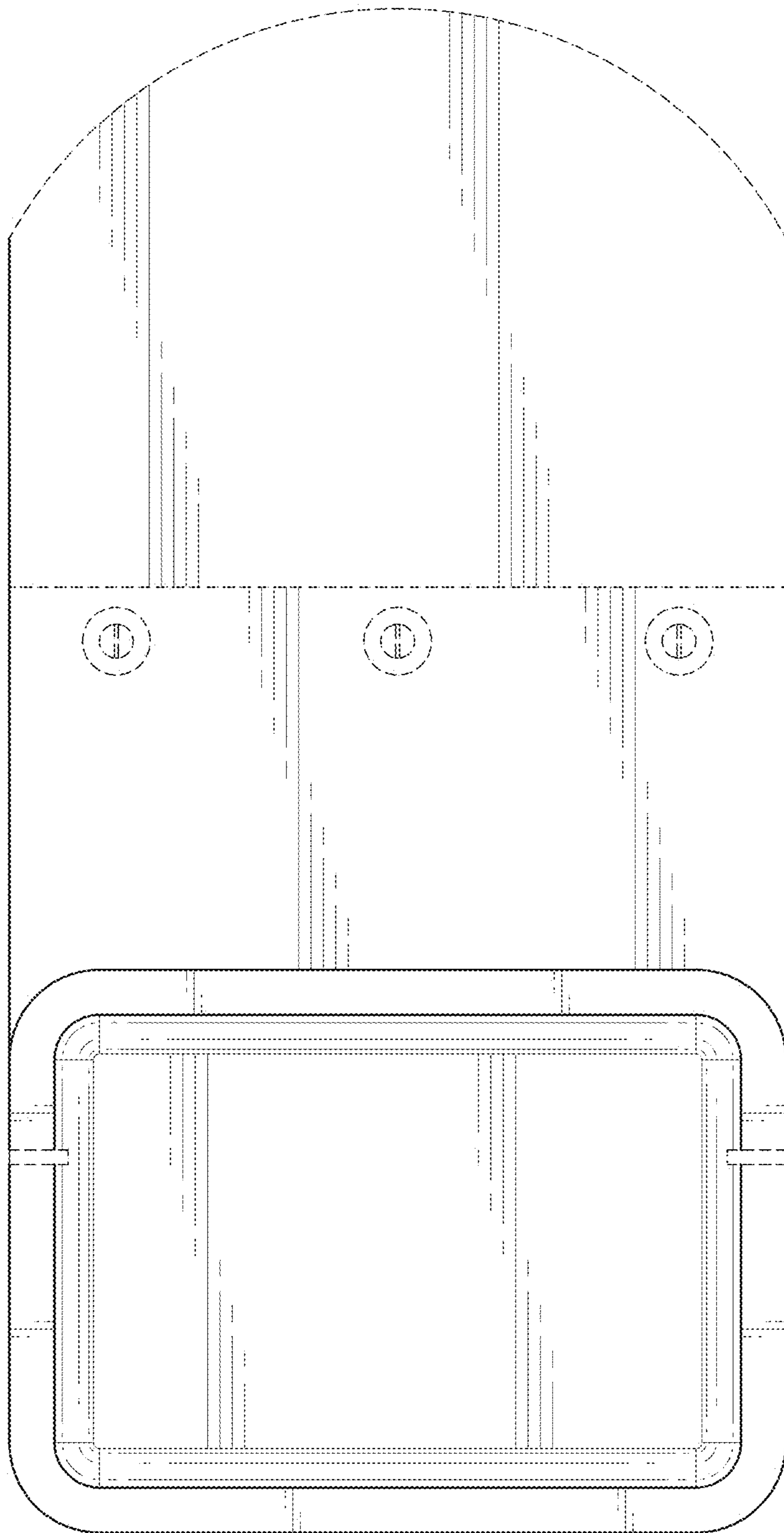


FIG. 8

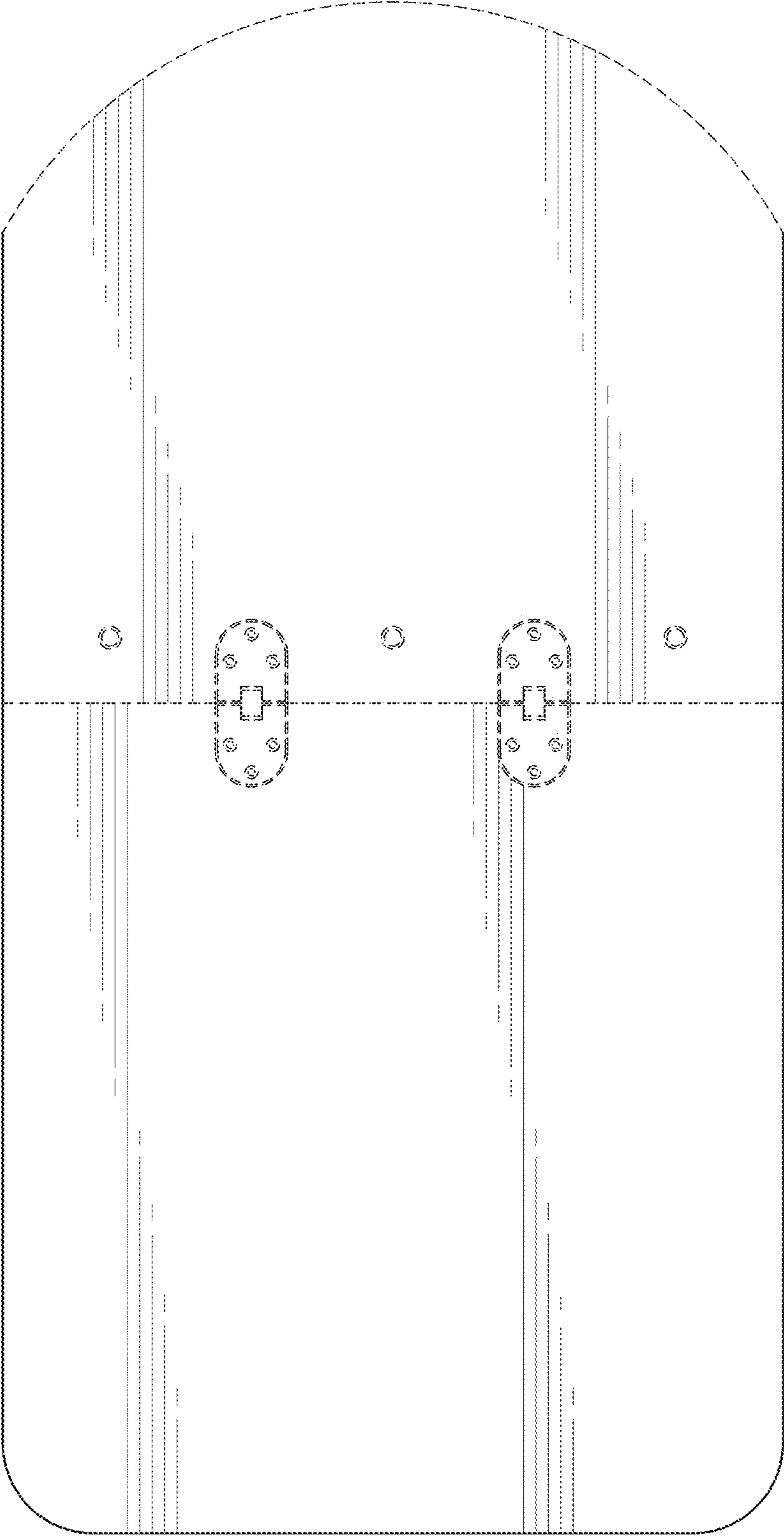


FIG. 9



FIG. 10

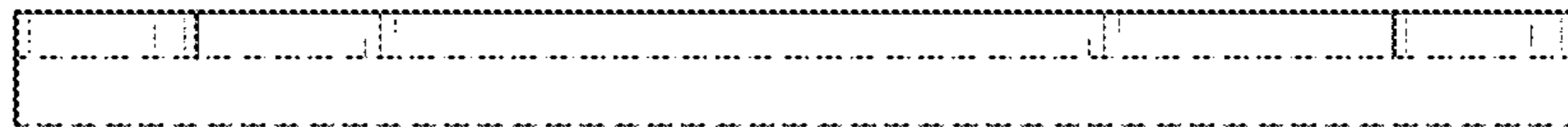


FIG. 11



FIG. 12