



US00D962673S

(12) **United States Design Patent** (10) **Patent No.:** **US D962,673 S**  
**Su** (45) **Date of Patent:** **\*\* Sep. 6, 2022**

(54) **SENSOR SOAP DISPENSER**  
(71) Applicant: **Dongguan Fengjie Bathroom Co., Ltd., Guangdong (CN)**  
(72) Inventor: **Zhengbing Su, Hunan (CN)**  
(73) Assignee: **DongGuan Fengjie Bathroom Co., Ltd.**  
(\*\*) Term: **15 Years**  
(21) Appl. No.: **29/744,465**  
(22) Filed: **Jul. 29, 2020**  
(51) **LOC (13) Cl.** ..... **23-08**  
(52) **U.S. Cl.**  
USPC ..... **D6/545**  
(58) **Field of Classification Search**  
USPC ..... D6/542, 545, 524, 544-543; D7/306, D7/313, 397-398, 312, 321, 322; D23/207, 208, 234, 286, 366  
CPC .... A47K 2210/00; A47K 5/1217; A47K 5/10; B05B 11/3035  
See application file for complete search history.

D901,930 S \* 11/2020 Reilly ..... D6/542  
D901,931 S \* 11/2020 Reilly ..... D6/542  
D904,788 S \* 12/2020 Hagleitner ..... D6/524  
D944,054 S \* 2/2022 Sowieja ..... D7/398  
2011/0186594 A1\* 8/2011 Parker ..... B67D 7/14  
222/113  
2016/0309967 A1\* 10/2016 Pelfrey ..... A47K 5/1215  
(Continued)

**FOREIGN PATENT DOCUMENTS**

CN 305898098 \* 7/2020

**OTHER PUBLICATIONS**

Automatic Soap Dispenser 1000ml Electric Touchless Sensor, available in globalsources.com, date first available Mar. 5, 2020, Year 2020 [online], Retrieved on Mar. 3, 2022 from URL: <https://www.globalsources.com/Automatic-soap/soap-dispenser-1183196861p.htm> (Year: 2020).\*

*Primary Examiner* — Vy N Koenig  
*Assistant Examiner* — Michelle M Reeves

(57) **CLAIM**

The ornamental design for a sensor soap dispenser, as shown and described.

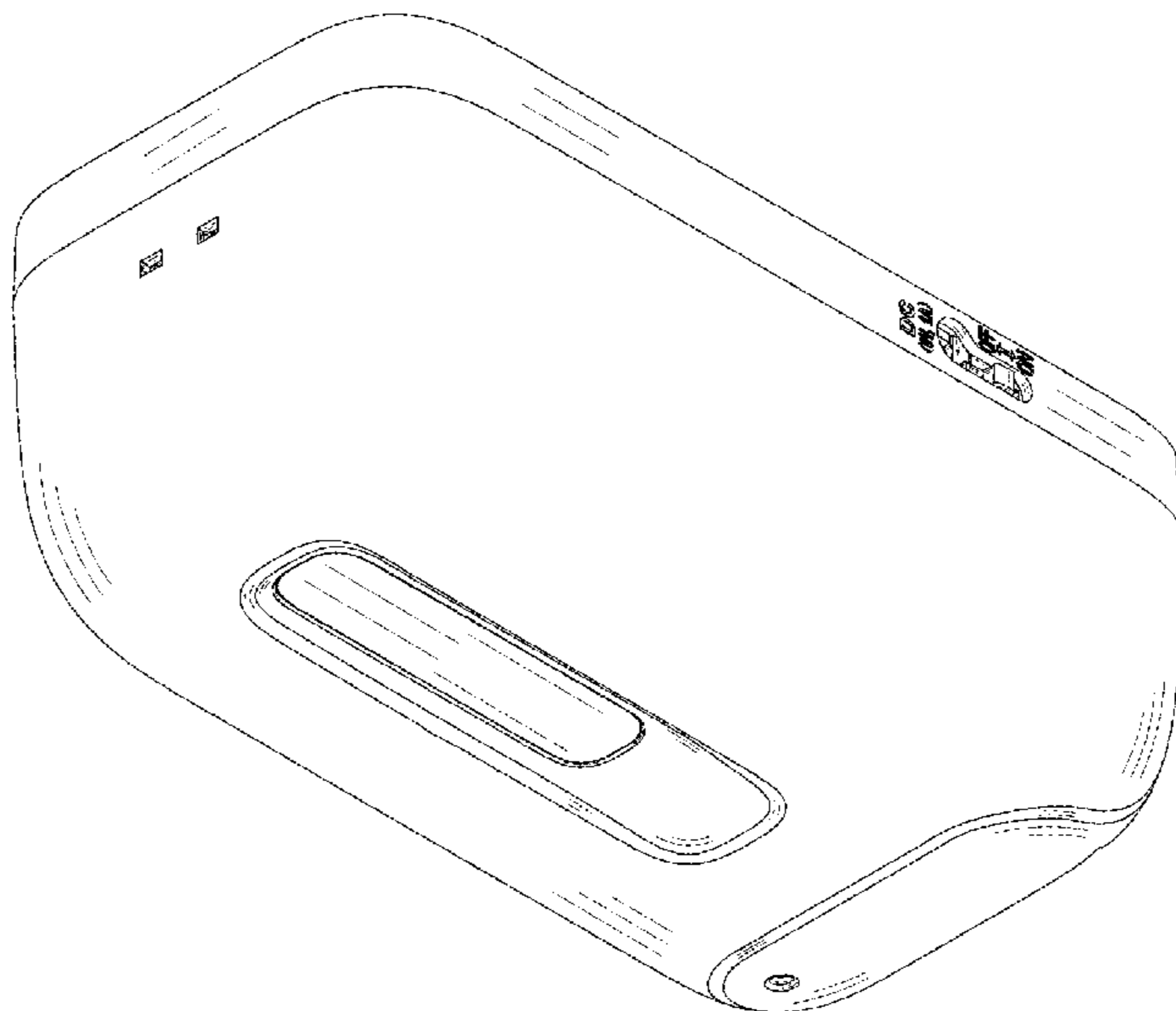
**DESCRIPTION**

FIG. 1 is a front view of the sensor soap dispenser showing my new design;  
FIG. 2 is a back view thereof;  
FIG. 3 is a left side view thereof;  
FIG. 4 is a right side view thereof;  
FIG. 5 is a top view thereof;  
FIG. 6 is a bottom view thereof;  
FIG. 7 is a perspective view thereof; and,  
FIG. 8 is another perspective view thereof.  
The broken lines shown in the drawings depict portions of the sensor soap dispenser that form no part of the claimed design.

**1 Claim, 8 Drawing Sheets**

(56) **References Cited**  
U.S. PATENT DOCUMENTS

D136,890 S \* 12/1943 Johnson ..... D9/527  
D209,894 S \* 1/1968 Tompkins ..... D7/312  
3,459,343 A \* 8/1969 Holger ..... A47K 5/10  
222/88  
D338,584 S \* 8/1993 Nolan ..... D6/544  
D372,824 S \* 8/1996 Lin ..... D6/545  
D403,917 S \* 1/1999 Le ..... D7/322  
D426,413 S \* 6/2000 Kreitemier ..... D6/543  
6,404,837 B1 \* 6/2002 Thompson ..... A47K 5/1217  
377/16  
D619,837 S \* 7/2010 Kim ..... D6/518  
D752,178 S \* 3/2016 Mjelde ..... D23/208  
D768,405 S \* 10/2016 Patterson ..... D6/545  
D800,476 S \* 10/2017 Indruk ..... D6/542  
D801,722 S \* 11/2017 Indruk ..... D6/545



(56)

**References Cited**

U.S. PATENT DOCUMENTS

2017/0028420 A1\* 2/2017 Mitchell ..... A47K 5/1217  
2017/0340173 A1\* 11/2017 Santoro ..... A47K 5/12

\* cited by examiner

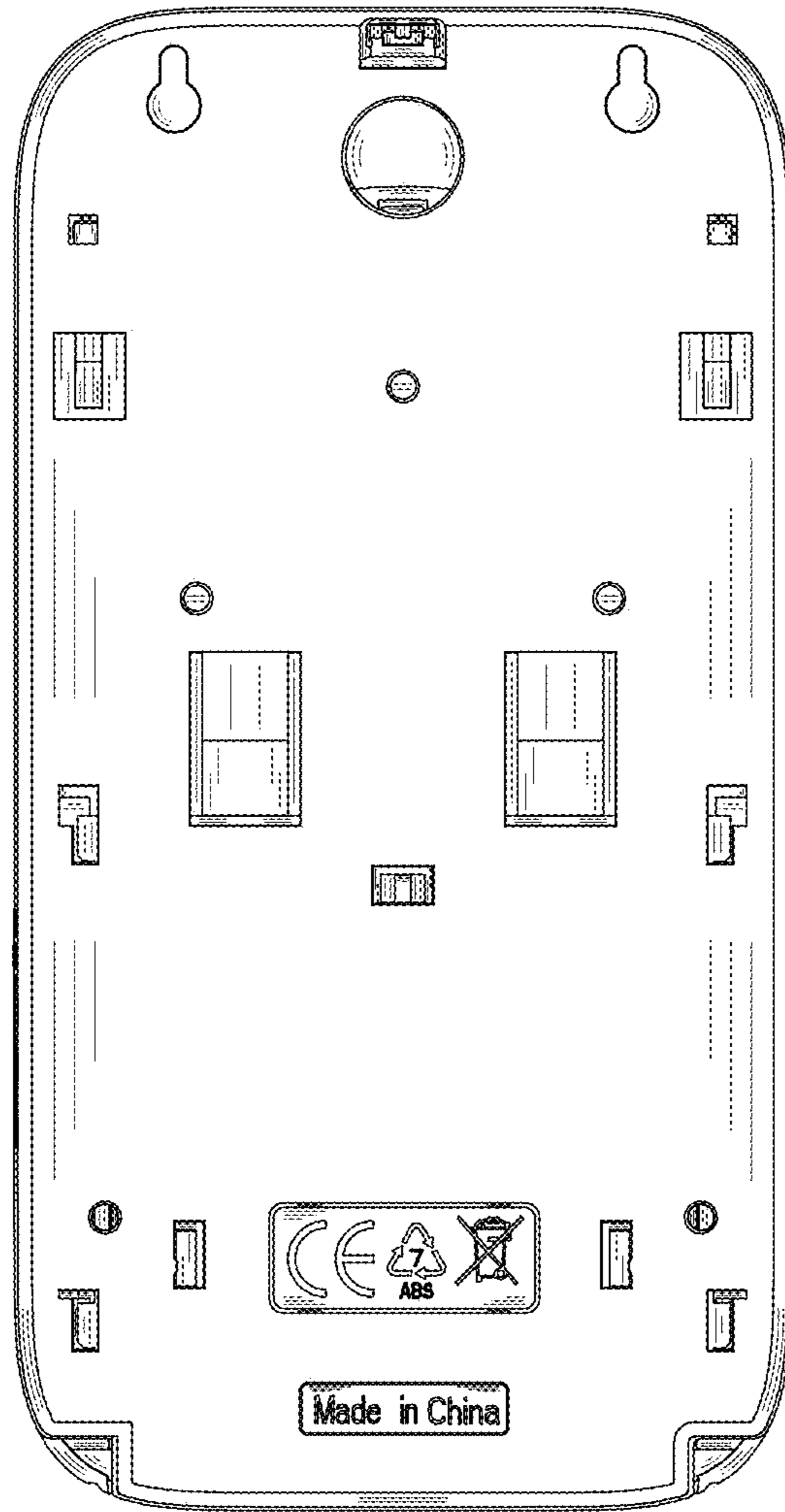


FIG. 1

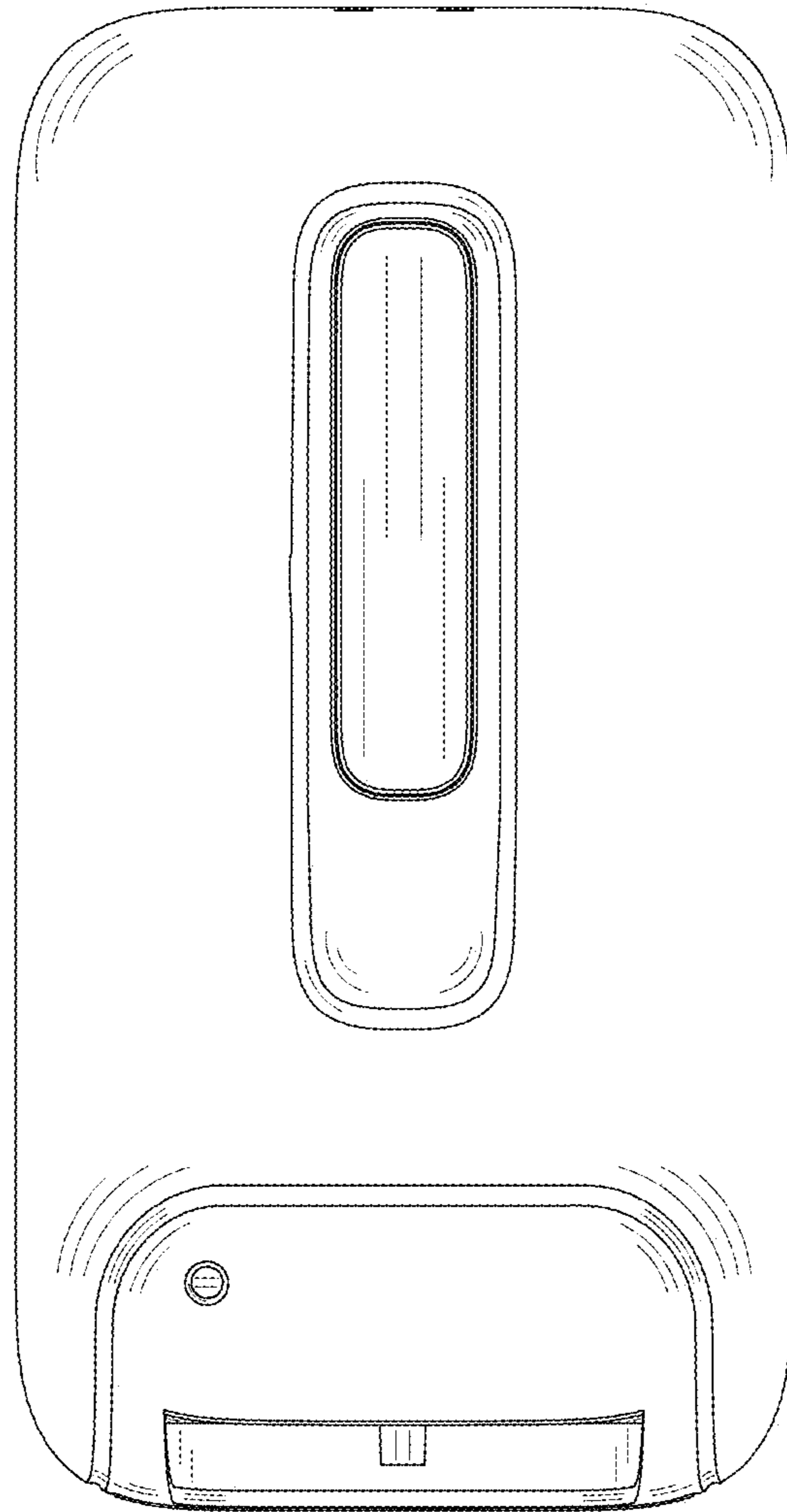


FIG. 2

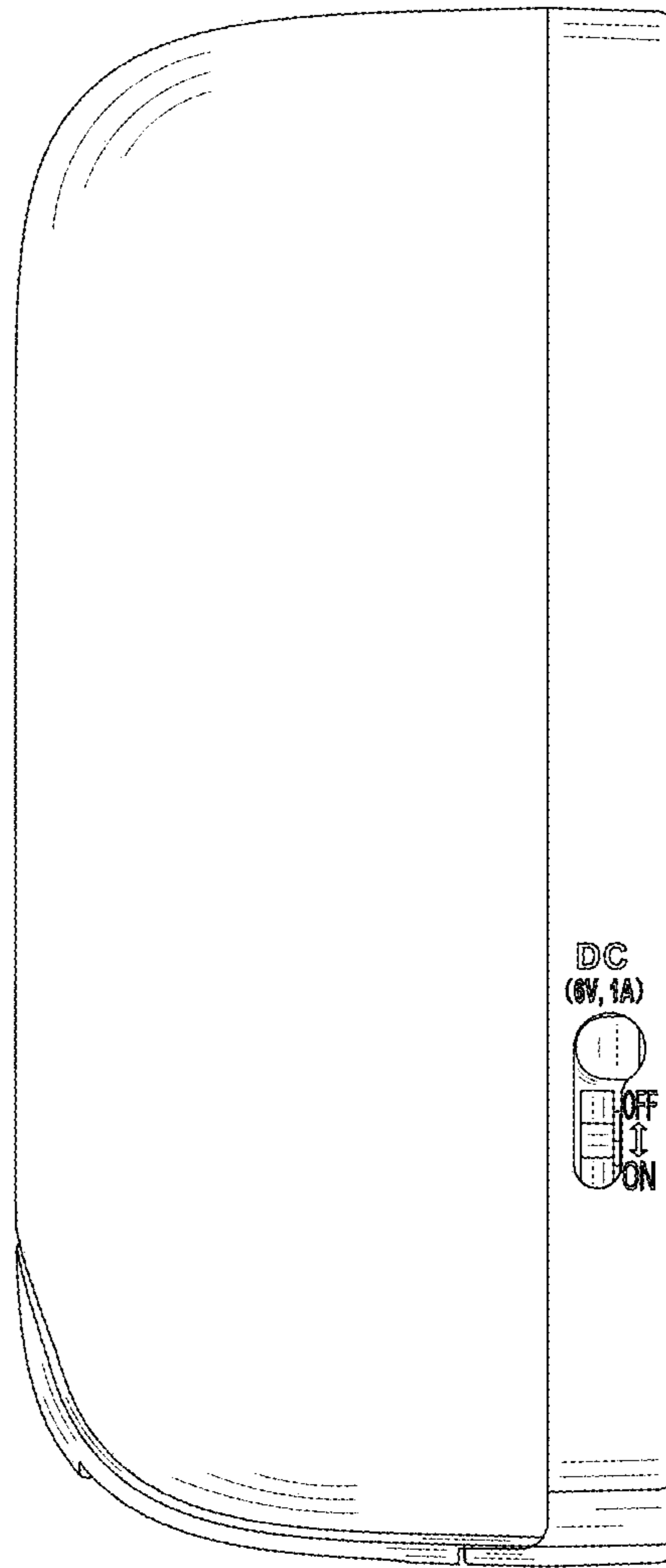


FIG. 3

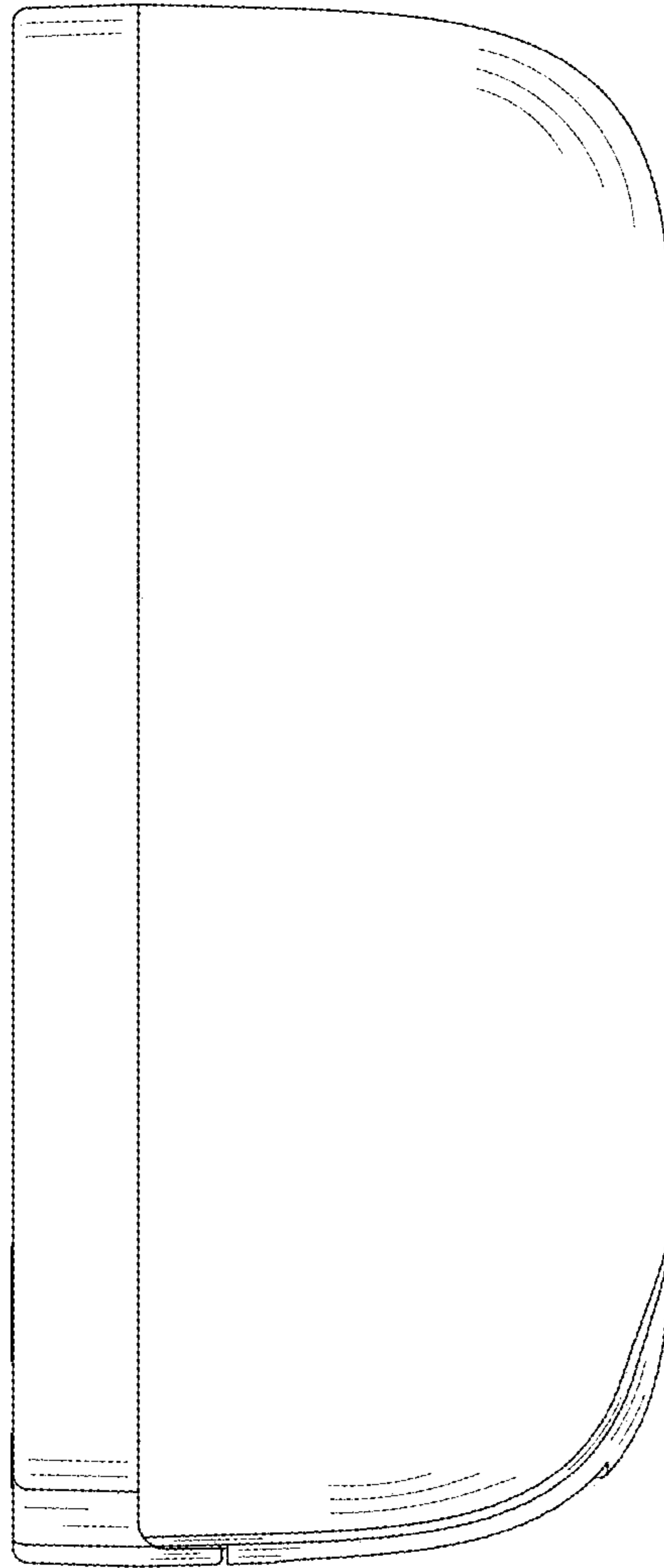


FIG. 4

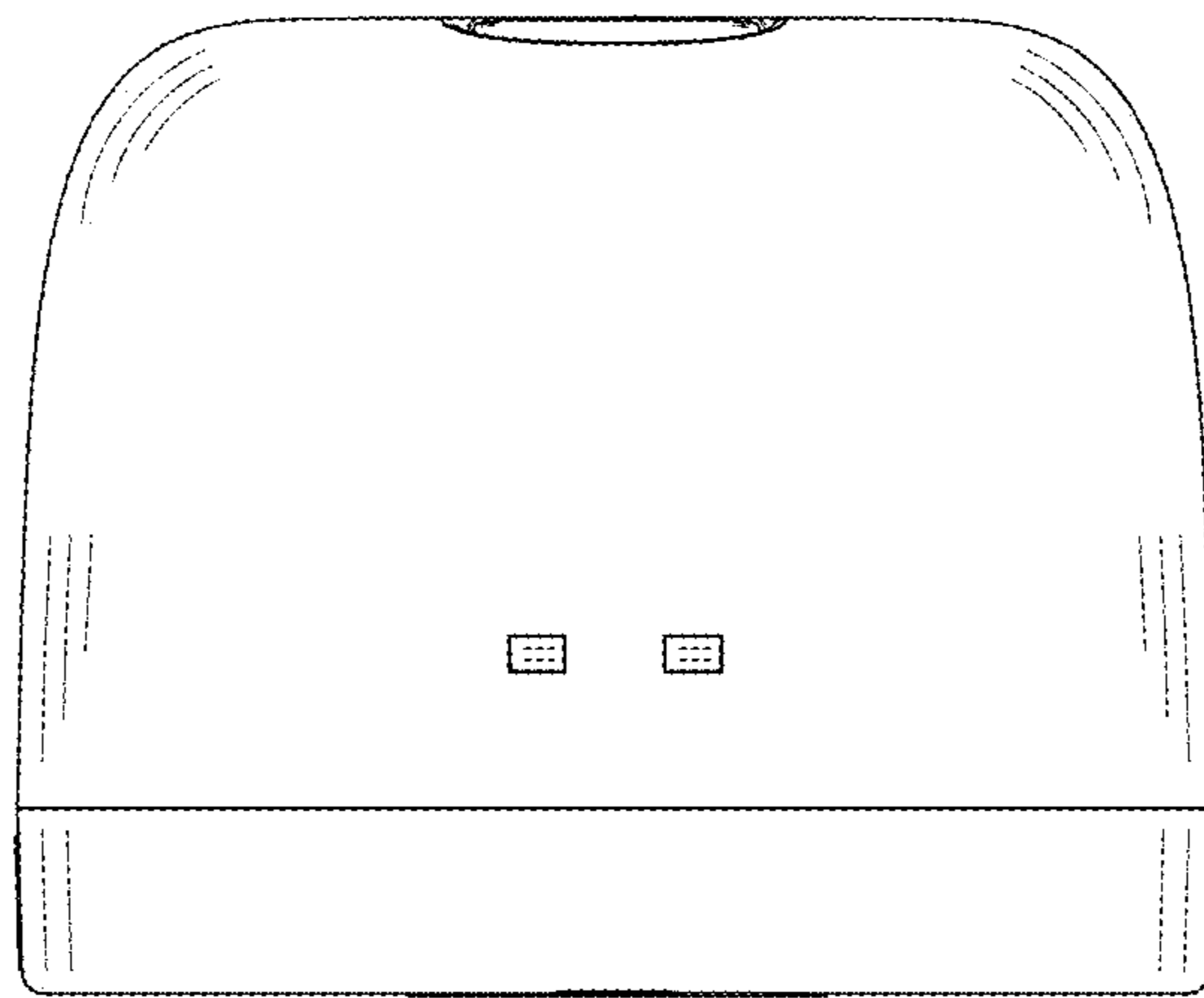


FIG. 5

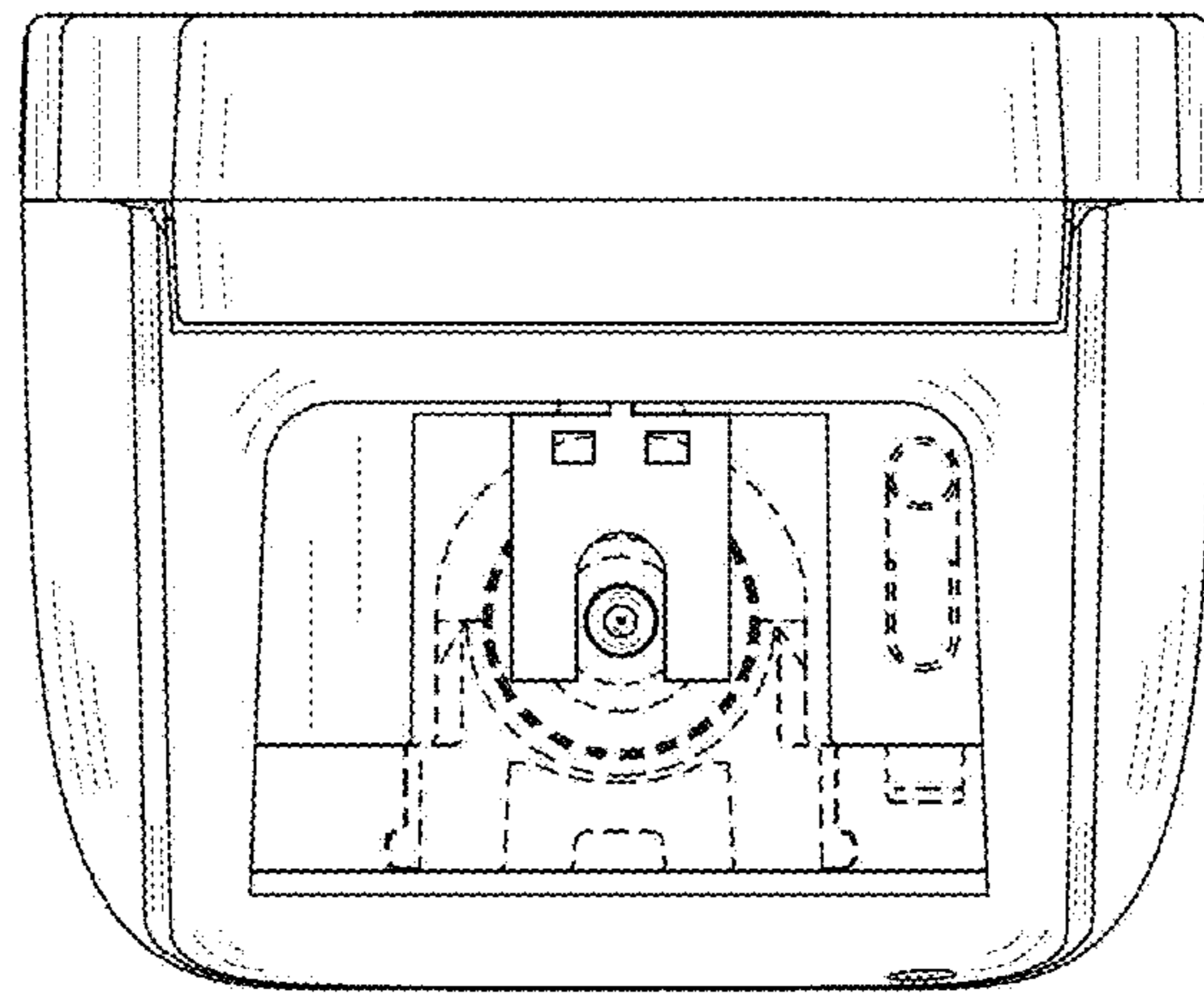


FIG. 6



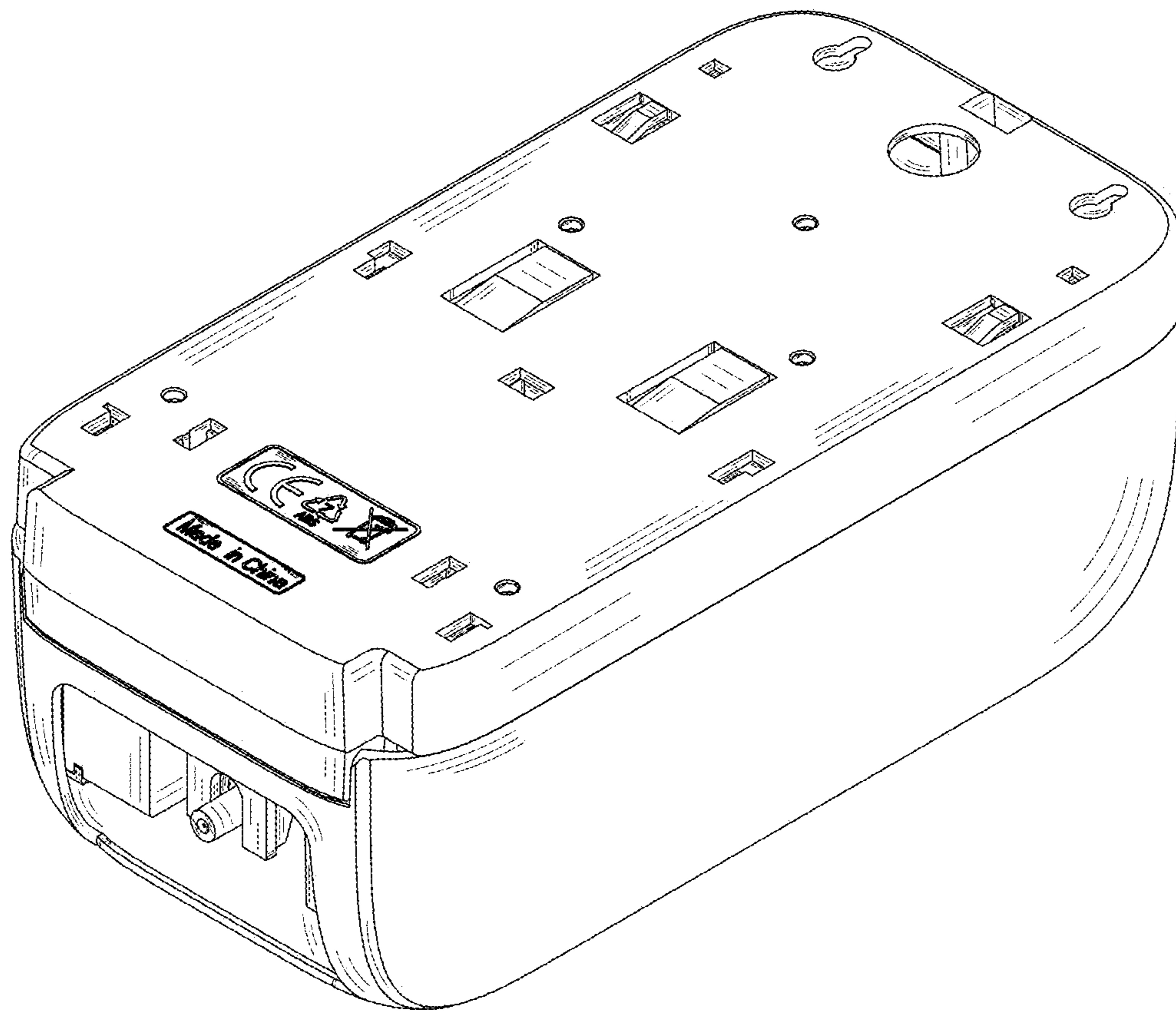


FIG. 7

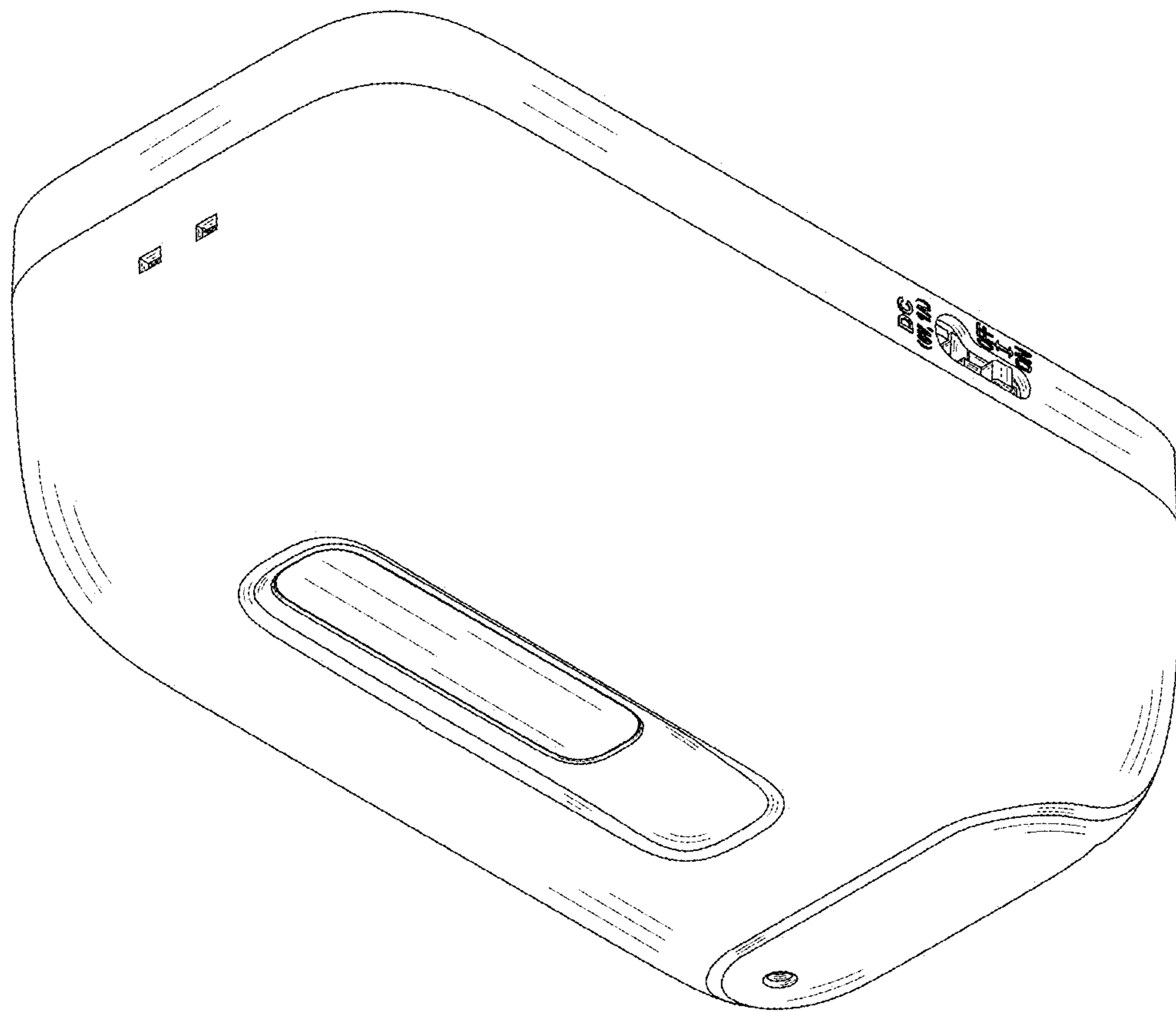


FIG. 8