



US00D962672S

(12) **United States Design Patent**
Yang et al.

(10) **Patent No.:** **US D962,672 S**
(45) **Date of Patent:** **** Sep. 6, 2022**

(54) **DISPENSER**

FOREIGN PATENT DOCUMENTS

(71) Applicant: **simplehuman, LLC**, Torrance, CA (US)

AU 364945 10/2015
AU 201613950 9/2016

(Continued)

(72) Inventors: **Frank Yang**, Rancho Palos Verdes, CA (US); **Tzu-Hao Wei**, Hacienda Heights, CA (US); **Myk Lum**, Irvine, CA (US); **Adam Wade**, Rancho Santa Margarita, CA (US)

OTHER PUBLICATIONS

Pulse Pump Brushed Stainless Steel 10oz. Capacity Freestanding Soap and Lotion Dispenser, available in lowes.com, customer review oldest date Mar. 24, 2021 Year 2021 [online], Retrieved on Mar. 24, 2022 from URL: <https://www.lowes.com/pd/simplehuman-simplehuman-10-oz-Pulse-Pump-Brushed-Stainles> (Year: 2021).*

(Continued)

(73) Assignee: **simplehuman, LLC**, Torrance, CA (US)

(**) Term: **15 Years**

Primary Examiner — Vy N Koenig
Assistant Examiner — Michelle M Reeves

(21) Appl. No.: **29/747,947**

(74) *Attorney, Agent, or Firm* — Knobbe, Martens, Olson & Bear LLP

(22) Filed: **Aug. 26, 2020**

(51) **LOC (13) Cl.** **23-08**

(52) **U.S. Cl.**
USPC **D6/542**

(57) **CLAIM**

(58) **Field of Classification Search**
USPC D6/542, 543, 544, 545; D9/529, D9/693–694; D23/238

The ornamental design for a dispenser, as shown and described.

CPC A47K 2210/00
See application file for complete search history.

DESCRIPTION

(56) **References Cited**

U.S. PATENT DOCUMENTS

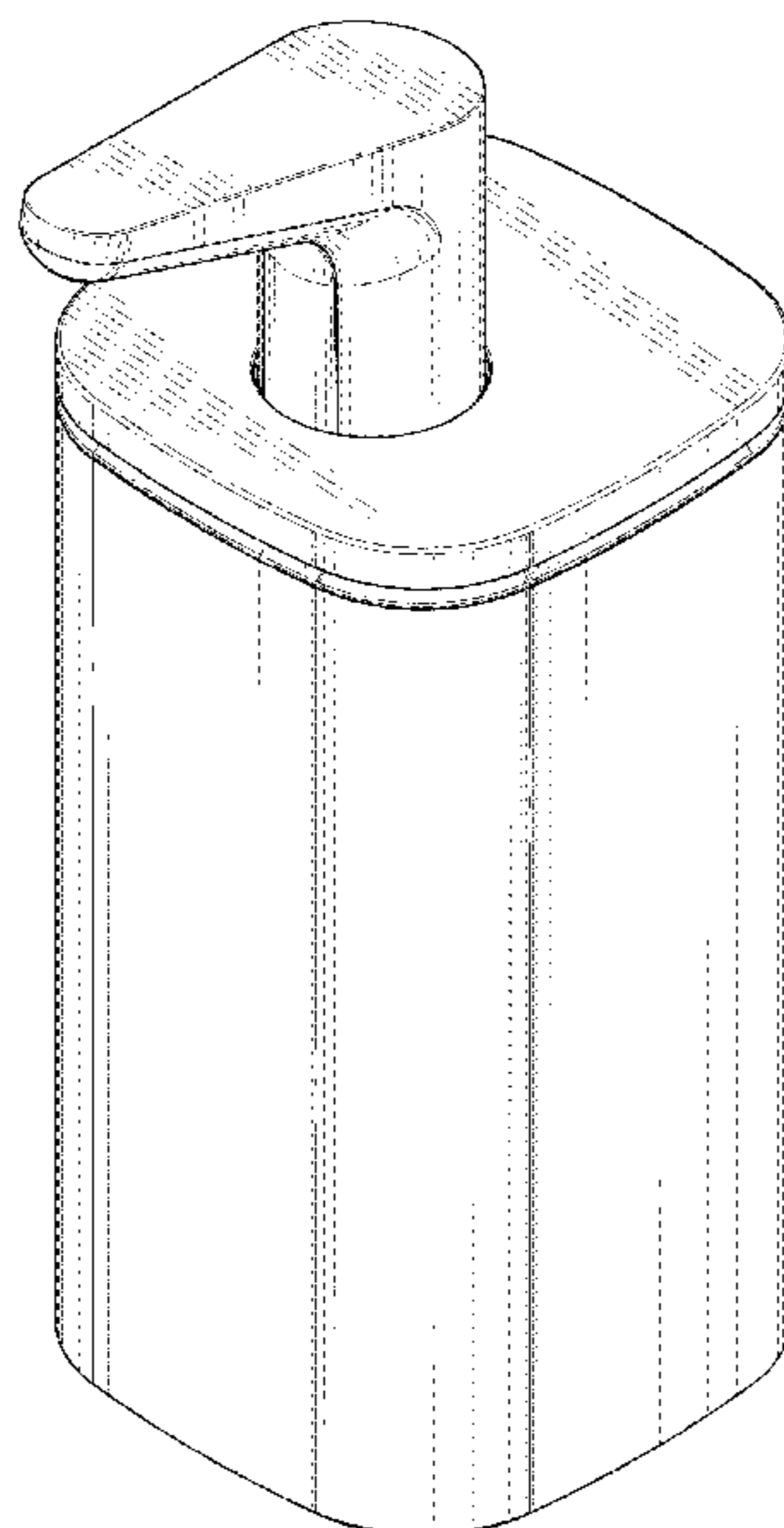
| | | | |
|-----------|---|---------|------------------|
| 2,017,867 | A | 10/1935 | Nantz |
| 2,106,043 | A | 1/1938 | Urquhart et al. |
| 2,651,545 | A | 9/1953 | Shotton |
| 2,697,446 | A | 12/1954 | Harrington |
| 2,772,817 | A | 12/1956 | Jauch |
| 3,023,922 | A | 3/1962 | Arrington et al. |
| 3,149,754 | A | 9/1964 | Kogan et al. |
| 3,220,954 | A | 11/1965 | Malbe |
| 3,531,021 | A | 9/1970 | Bassett |
| 3,631,736 | A | 1/1972 | Saari |
| 3,701,482 | A | 10/1972 | Sachnik |

(Continued)

FIG. 1 is a top, front, left-side perspective view of a dispenser embodying our new design; FIG. 2 is a bottom, front, right-side perspective view thereof; FIG. 3 is a front elevation view thereof; FIG. 4 is a rear elevation view thereof; FIG. 5 is a right-side elevation view thereof; FIG. 6 is a left-side elevation view thereof; FIG. 7 is a top plan view thereof; and, FIG. 8 is a bottom plan view thereof.

All features in broken line form no part of the claimed subject matter. Dash-dot lines illustrate borders and form no part of the claimed design.

1 Claim, 8 Drawing Sheets



(56)

References Cited

U.S. PATENT DOCUMENTS

| | | | | | | | | |
|-----------|----|----------|-----------------------|---------------|-----------|----|----------|-----------------------|
| 4,046,289 | A | 9/1977 | Teranishi | | 6,805,042 | B2 | 10/2004 | Mordini et al. |
| 4,056,050 | A | 11/1977 | Brown | | 6,824,369 | B2 | 11/2004 | Raymond |
| 4,113,147 | A | 9/1978 | Frazier et al. | | D499,295 | S | 12/2004 | Grisdale et al. |
| 4,202,387 | A | 5/1980 | Upton | | 6,832,542 | B2 | 12/2004 | Hu et al. |
| 4,217,993 | A | 8/1980 | Jess et al. | | 6,892,899 | B2 | 5/2005 | Minard et al. |
| 4,457,455 | A | 7/1984 | Meshberg | | 6,929,150 | B2 | 8/2005 | Muderlak et al. |
| 4,498,843 | A | 2/1985 | Schneider et al. | | 6,971,549 | B2 | 12/2005 | Leifheit et al. |
| 4,524,805 | A | 6/1985 | Hoffman | | 6,988,897 | B2 | 1/2006 | Belongia et al. |
| 4,693,854 | A | 9/1987 | Yau | | 7,008,073 | B2 | 3/2006 | Stuhlmacher |
| 4,722,372 | A | 2/1988 | Hoffman et al. | | D530,954 | S | 10/2006 | Snell |
| 4,801,249 | A | 1/1989 | Kakizawa | | D531,440 | S | 11/2006 | Lo |
| 4,915,347 | A | 4/1990 | Iqbal et al. | | D531,441 | S | 11/2006 | Soriano |
| 4,921,131 | A | 5/1990 | Binderbauer et al. | | D531,845 | S | 11/2006 | Christianson |
| 4,938,384 | A | 7/1990 | Pilolla | | D534,753 | S | 1/2007 | Christianson |
| 4,946,070 | A | 8/1990 | Albert et al. | | 7,178,746 | B2 | 2/2007 | Gross |
| 4,967,935 | A | 11/1990 | Celest | | 7,213,593 | B2 | 5/2007 | Hochrainer |
| 5,028,328 | A | 7/1991 | Long | | D554,412 | S | 11/2007 | Yang et al. |
| 5,082,150 | A | 1/1992 | Steiner et al. | | 7,296,765 | B2 | 11/2007 | An |
| D325,771 | S | * 4/1992 | Di Maggio | D23/238 | D560,942 | S | 2/2008 | Hanna |
| 5,105,992 | A | 4/1992 | Fender et al. | | D564,273 | S | 3/2008 | Yang et al. |
| 5,169,040 | A | 12/1992 | Wiley | | 7,337,635 | B2 | 3/2008 | Cerruti et al. |
| 5,186,360 | A | 2/1993 | Mease et al. | | D565,878 | S | 4/2008 | Krus |
| 5,199,118 | A | 4/1993 | Cole et al. | | 7,354,015 | B2 | 4/2008 | Byrd et al. |
| 5,255,822 | A | 10/1993 | Mease et al. | | D569,736 | S | * 5/2008 | Oates D9/694 |
| 5,271,528 | A | 12/1993 | Chien | | D581,193 | S | 11/2008 | Ghiorghie |
| 5,305,916 | A | 4/1994 | Suzuki et al. | | D582,187 | S | 12/2008 | Yang et al. |
| 5,449,280 | A | 9/1995 | Maki et al. | | 7,479,000 | B2 | 1/2009 | Klassen |
| 5,466,131 | A | 11/1995 | Altham et al. | | D593,784 | S | 6/2009 | Chan |
| 5,472,719 | A | 12/1995 | Favre | | 7,540,397 | B2 | 6/2009 | Muderlak et al. |
| 5,477,984 | A | 12/1995 | Sayama et al. | | D604,544 | S | 11/2009 | Daams |
| 5,509,578 | A | 4/1996 | Livingstone | | 7,637,893 | B2 | 12/2009 | Christensen et al. |
| 5,632,414 | A | 5/1997 | Merriweather, Jr. | | D608,578 | S | 1/2010 | Yang et al. |
| 5,771,925 | A | 6/1998 | Lewandowski | | D610,917 | S | * 3/2010 | Ho D9/694 |
| 5,823,390 | A | 10/1998 | Muderlak et al. | | D626,365 | S | 11/2010 | Yang et al. |
| 5,829,636 | A | 11/1998 | Vuong et al. | | D644,523 | S | 9/2011 | Howell et al. |
| 5,836,482 | A | 11/1998 | Ophardt et al. | | D644,529 | S | 9/2011 | Padain et al. |
| 5,855,356 | A | 1/1999 | Fait | | D644,530 | S | 9/2011 | Padain et al. |
| 5,868,311 | A | 2/1999 | Cretu-Petra | | D644,531 | S | 9/2011 | Padain et al. |
| 5,960,991 | A | 10/1999 | Ophardt | | 8,087,543 | B2 | 1/2012 | Yang et al. |
| D416,154 | S | 11/1999 | Diehl | | 8,096,445 | B2 | 1/2012 | Yang et al. |
| 5,988,451 | A | 11/1999 | Hanna | | 8,109,301 | B1 | 2/2012 | Denise |
| 6,021,705 | A | 2/2000 | Dijs | | 8,109,411 | B2 | 2/2012 | Yang et al. |
| 6,021,960 | A | 2/2000 | Kehat | | 8,152,027 | B1 | 4/2012 | Baker |
| 6,036,056 | A | 3/2000 | Lee et al. | | D658,915 | S | 5/2012 | Fernandes et al. |
| 6,048,183 | A | 4/2000 | Meza | | D659,452 | S | 5/2012 | Yang et al. |
| D426,093 | S | 6/2000 | Cayouette | | D659,454 | S | 5/2012 | Fritz et al. |
| D426,413 | S | 6/2000 | Kreitemier et al. | | D660,061 | S | 5/2012 | Fernandes et al. |
| 6,126,290 | A | 10/2000 | Veigel | | D661,531 | S | 6/2012 | Tompkin |
| D433,944 | S | 11/2000 | Bernard | | D661,933 | S | 6/2012 | Delgigante et al. |
| 6,142,340 | A | 11/2000 | Watanabe et al. | | D663,983 | S | 7/2012 | Yang et al. |
| D438,041 | S | 2/2001 | Huang | | D664,387 | S | 7/2012 | Kennedy |
| 6,209,752 | B1 | 4/2001 | Mitchell et al. | | D672,177 | S | 12/2012 | Zeng |
| RE37,173 | E | 5/2001 | Jefferson, Jr. et al. | | D674,636 | S | 1/2013 | Yang et al. |
| 6,269,735 | B1 | 8/2001 | Rolfes | | 8,360,285 | B2 | 1/2013 | Grbesic |
| 6,279,460 | B1 | 8/2001 | Pope | | D676,116 | S | 2/2013 | Judd |
| 6,279,777 | B1 | 8/2001 | Goodin et al. | | D682,589 | S | 5/2013 | Cheng |
| 6,311,868 | B1 | 11/2001 | Krietemeier et al. | | D688,488 | S | 8/2013 | Wang |
| 6,325,604 | B1 | 12/2001 | Du | | D689,299 | S | 9/2013 | Kassem Llano et al. |
| 6,375,038 | B1 | 4/2002 | Daansen et al. | | D690,129 | S | 9/2013 | Clough et al. |
| 6,390,329 | B1 | 5/2002 | Maddox | | D690,130 | S | 9/2013 | Clough et al. |
| 6,443,328 | B1 | 9/2002 | Fehl et al. | | D690,131 | S | 9/2013 | Clough et al. |
| 6,444,956 | B1 | 9/2002 | Witcher et al. | | D690,530 | S | 10/2013 | Clough et al. |
| D471,047 | S | 3/2003 | Gordon et al. | | 8,550,378 | B2 | 10/2013 | Mazooji et al. |
| 6,557,584 | B1 | 5/2003 | Lucas et al. | | D693,597 | S | 11/2013 | Yang et al. |
| 6,594,105 | B1 | 7/2003 | Brittner | | D699,047 | S | 2/2014 | Lissoni |
| D477,956 | S | 8/2003 | Grisdale et al. | | D699,475 | S | 2/2014 | Yang et al. |
| 6,619,938 | B2 | 9/2003 | Woodruff | | D699,574 | S | 2/2014 | Cox et al. |
| D483,974 | S | 12/2003 | Reed | | 8,662,356 | B2 | 3/2014 | Padain et al. |
| D484,573 | S | 12/2003 | Haug et al. | | 8,678,244 | B2 | 3/2014 | Yang et al. |
| D486,335 | S | 2/2004 | Sonneman | | D706,549 | S | 6/2014 | Cho |
| 6,698,616 | B2 | 3/2004 | Hidle et al. | | D717,066 | S | 11/2014 | Deacon |
| 6,722,265 | B2 | 4/2004 | Priley | | 8,893,928 | B2 | 11/2014 | Proper |
| D490,262 | S | 5/2004 | Graves et al. | | D721,279 | S | 1/2015 | Van Handel et al. |
| 6,748,850 | B1 | 6/2004 | Kraan | | D727,653 | S | 4/2015 | Bjerre-Poulsen et al. |
| 6,777,007 | B2 | 8/2004 | Cai | | D731,203 | S | 6/2015 | Watson et al. |
| | | | | | D731,204 | S | 6/2015 | Watson et al. |
| | | | | | D732,308 | S | 6/2015 | Eng et al. |
| | | | | | D746,136 | S | 12/2015 | Liu |
| | | | | | 9,265,383 | B2 | 2/2016 | Yang et al. |

(56)

References Cited

U.S. PATENT DOCUMENTS

9,375,741 B2 6/2016 Turner
 D770,798 S 11/2016 Yang et al.
 D773,847 S 12/2016 Judd
 D773,848 S 12/2016 Yang et al.
 D785,970 S 5/2017 Yang et al.
 D786,579 S 5/2017 Beck et al.
 9,763,546 B2 9/2017 Yang et al.
 D818,741 S 5/2018 Yang et al.
 10,076,216 B2 9/2018 Yang et al.
 D829,465 S 10/2018 Yang et al.
 D842,121 S * 3/2019 Lee D9/682
 D876,955 S * 3/2020 Atalay D9/694
 10,588,467 B2 3/2020 Yang et al.
 D884,480 S * 5/2020 Karekar D9/560
 10,806,305 B2 10/2020 Yang et al.
 11,064,846 B2 7/2021 Yang et al.
 2002/0179643 A1 12/2002 Knight et al.
 2002/0185002 A1 12/2002 Herrmann
 2003/0068242 A1 4/2003 Yamakawa
 2004/0032749 A1 2/2004 Schindler et al.
 2004/0050875 A1 3/2004 Kobayashi
 2004/0077187 A1 4/2004 Belongia et al.
 2004/0103792 A1 6/2004 Cirigliano et al.
 2004/0134924 A1 7/2004 Hansen et al.
 2004/0226962 A1 11/2004 Mazursky et al.
 2005/0006407 A1 1/2005 Lawson et al.
 2005/0139612 A1 6/2005 Matthews et al.
 2005/0279783 A1 12/2005 Lo
 2006/0067546 A1 3/2006 Lewis et al.
 2006/0173576 A1 8/2006 Goerg et al.
 2006/0243740 A1 11/2006 Reynolds et al.
 2007/0000941 A1 1/2007 Hadden et al.
 2007/0138202 A1 6/2007 Evers
 2007/0138208 A1 6/2007 Scholz et al.
 2007/0158359 A1 7/2007 Rodrian
 2007/0274853 A1 11/2007 Merendeiro et al.
 2008/0149669 A1 6/2008 Nicholson et al.
 2008/0185396 A1 8/2008 Yang et al.
 2008/0185398 A1 8/2008 Yang et al.
 2008/0188399 A1 8/2008 Yang et al.
 2008/0277411 A1 11/2008 Beland et al.
 2008/0277421 A1 11/2008 Zlatic et al.
 2008/0283556 A1 11/2008 Snodgrass
 2009/0026225 A1 1/2009 Lickstein
 2009/0088836 A1 4/2009 Bishop et al.
 2009/0140004 A1 6/2009 Scorgie
 2009/0184134 A1 7/2009 Ciavarella et al.
 2009/0200340 A1 8/2009 Ophardt et al.
 2010/0031982 A1 2/2010 Hornsby et al.
 2010/0051642 A1 3/2010 Wong et al.
 2010/0282772 A1 11/2010 Ionidis
 2010/0320227 A1 12/2010 Reynolds
 2011/0017769 A1 1/2011 Ophardt
 2011/0114669 A1 5/2011 Yang et al.
 2011/0253744 A1 10/2011 Pelfrey
 2011/0272432 A1 11/2011 Baughman
 2012/0111895 A1 5/2012 Fitzpatrick et al.
 2012/0138632 A1 6/2012 Li et al.
 2012/0138637 A1 6/2012 Ciavarella et al.
 2012/0248150 A1 10/2012 Yang et al.
 2012/0285992 A1 11/2012 Ciavarella et al.
 2012/0318820 A1 12/2012 Amsel et al.
 2013/0119083 A1 5/2013 Ophardt et al.
 2013/0140323 A1 6/2013 Yun et al.
 2013/0200097 A1 8/2013 Yang et al.
 2013/0200109 A1 8/2013 Yang et al.
 2013/0214011 A1 8/2013 Vandekerckhove et al.
 2014/0103072 A1 4/2014 Pelfrey
 2014/0137982 A1 5/2014 Nicholls et al.
 2014/0231450 A1 8/2014 Rosko et al.
 2015/0238053 A1 8/2015 Yang et al.
 2015/0265106 A1 9/2015 Rospierski
 2016/0256016 A1 9/2016 Yang et al.
 2017/0015541 A1 1/2017 Vulpitta et al.
 2018/0220850 A1 8/2018 Yang et al.

2018/0263432 A1 9/2018 Yang et al.
 2018/0360276 A1 12/2018 Yang et al.
 2020/0383528 A1 12/2020 Yang et al.

FOREIGN PATENT DOCUMENTS

CA 141847 4/2012
 CA 144016 4/2012
 CA 147357 4/2013
 CA 152683 5/2014
 CA 2677130 C 8/2015
 CA 164020 4/2016
 CA 164266 5/2016
 CA 169670 3/2017
 CA 177019 4/2018
 CN 1285899 A 2/2001
 CN 101606828 A 12/2009
 CN 102058336 A 5/2011
 CN 302362836 S 3/2013
 CN 104203058 A 12/2014
 CN 303102706 S 2/2015
 CN 303662896 S 5/2016
 CN 103619226 B 9/2016
 CN 304007050 S 1/2017
 CN 104203058 B 7/2017
 CN 201730168630.4 2/2018
 DE 3718967 A1 12/1987
 DE 3718967 C2 5/1994
 EP 0455431 A1 11/1991
 EP 0493865 A1 7/1992
 EP 2135538 A1 12/2009
 EP 2322068 A2 5/2011
 EP 001342687-0001 9/2012
 EP 2546523 A2 1/2013
 EP 2738387 A1 6/2014
 EP 001438402-0001 11/2015
 EP 002764860-0001 11/2015
 EP 3064114 9/2016
 EP 003313204-0001 9/2016
 EP 2811881 B1 11/2016
 EP 004350817-0001 9/2017
 EP 3403555 A1 11/2018
 GB 6018576 11/2017
 GB 6121337 2/2021
 GB 6133090 7/2021
 JP H07-23876 1/1995
 JP D1117308 6/2001
 JP D1266683 2/2006
 JP 2013-133754 A 7/2013
 JP D1553147 6/2016
 JP 1613152 8/2018
 KR 3002845520000 11/2001
 WO WO 2008/095187 8/2008
 WO WO 2008/103300 A2 8/2008
 WO WO 2012/122056 9/2012
 WO WO 2012/154642 A1 11/2012
 WO WO 2013/119642 A1 8/2013
 WO WO 2013/119874 A1 8/2013

OTHER PUBLICATIONS

U.S. Appl. No. 29/357,878, filed Mar. 12, 2010, Yang et al.
 U.S. Appl. No. 29/386,854, filed Mar. 4, 2011, Yang et al.
 U.S. Appl. No. 29/386,878, filed Mar. 4, 2011, Yang et al.
 U.S. Appl. No. 29/410,517, filed Jan. 9, 2012, Yang et al.
 U.S. Appl. No. 29/415,437, filed Mar. 9, 2012, Yang et al.
 U.S. Appl. No. 29/415,443, filed Mar. 9, 2012, Yang et al.
 U.S. Appl. No. 13/759,885, filed Feb. 5, 2013, Yang et al.
 U.S. Appl. No. 29/447,095, filed Feb. 28, 2013, Yang et al.
 U.S. Appl. No. 29/518,584, filed Feb. 25, 2015, Yang et al.
 U.S. Appl. No. 29/519,741, filed Mar. 6, 2015, Yang et al.
 U.S. Appl. No. 14/661,372, filed Mar. 18, 2015, Yang et al.
 U.S. Appl. No. 29/552,697, filed Jan. 25, 2016, Yang et al.
 U.S. Appl. No. 15/060,241, filed Mar. 3, 2016, Yang et al.
 U.S. Appl. No. 29/587,080, filed Dec. 9, 2016, Yang et al.
 U.S. Appl. No. 29/597,635, filed Mar. 17, 2017, Yang et al.
 U.S. Appl. No. 15/922,227, filed Mar. 15, 2018, Yang et al.

(56)

References Cited

OTHER PUBLICATIONS

U.S. Appl. No. 15/707,806, filed Sep. 18, 2017, Yang et al.
 U.S. Appl. No. 29/756,158, filed Aug. 26, 2020, Yang et al.
 Manring et al., "The Theoretical Flow Ripple of an External Gear Pump," Transactions of the ASME, vol. 125, Sep. 2003, pp. 396-404.
 The Sharper Image Soap Genie SI335, Mar. 2006, in 8 pages.
 Simplehuman® Rechargeable Sensor Soap Dispenser, Item No. 201881, <https://www.sharperimage.com/si/view/product/Rechargeable-Sensor-Soap-Dispenser/201881?trail>, published on Sep. 3, 2013, in 3 pages.
 International Search Report in corresponding Taiwanese Patent Application No. 096304216, dated Apr. 29, 2008, in 2 pages.
 Office Action in corresponding Canadian Patent Application No. 2677130, dated Feb. 10, 2014, in 6 pages.
 Supplementary Search Report in corresponding European Application No. 08714179, dated Apr. 27, 2011, in 7 pages.
 Office Action in corresponding European Patent Application No. 08714179, dated Oct. 17, 2014, in 4 pages.
 Office Action in corresponding European Patent Application No. 08714179, dated Feb. 1, 2017, in 5 pages (Attorney Docket No. SHUMAN.042VEP).
 Office Action in corresponding European Patent Application No. 08714179, dated Dec. 3, 2018, in 3 pages.
 International Search Report in corresponding PCT Application No. PCT/US2008/052854, dated Jul. 7, 2008, in 2 pages.
 International Search Report in corresponding PCT Application No. PCT/US2012/027602, dated Aug. 20, 2012, in 16 pages.
 International Preliminary Report on Patentability in corresponding PCT Application No. PCT/US2012/027602, dated Sep. 19, 2013, in 11 pages.
 Office Action in corresponding Canadian Patent Application No. 2828006, dated Feb. 20, 2018, in 3 pages.
 Office Action in corresponding Canadian Patent Application No. 2828006, dated Oct. 25, 2018, in 3 pages.
 Office Action in corresponding Chinese Patent Application No. 201280020813.6, dated Jun. 25, 2015, in 9 pages.
 Office Action in corresponding Chinese Patent Application No. 201280020813.6, dated Feb. 19, 2016, in 10 pages.
 Office Action in corresponding European Patent Application No. 12713421.1, dated May 10, 2016, in 5 pages.
 Office Action in corresponding European Patent Application No. 12713421.1, dated Mar. 10, 2017, in 5 pages.
 Office Action in corresponding European Patent Application No. 12713421.1, dated Mar. 23, 2018, in 5 pages.
 Office Action in corresponding European Patent Application No. 12713421.1, dated Feb. 4, 2019, in 5 pages.

Office Action in corresponding European Patent Application No. 12713421.1, dated Dec. 13, 2019, in 5 pages.
 International Search Report in corresponding PCT Application No. PCT/US2013/024906, dated Jul. 22, 2013, in 11 pages.
 International Preliminary Report on Patentability in corresponding PCT Application No. PCT/US2013/024906, dated Aug. 12, 2014, in 7 pages.
 International Search Report in corresponding PCT Application No. PCT/US2013/025227, dated Feb. 25, 2014, in 15 pages.
 International Preliminary Report on Patentability in corresponding PCT Application No. PCT/US2013/025227, dated Aug. 21, 2014, in 10 pages.
 Office Action in corresponding Canadian Application No. 2862506, dated Nov. 23, 2018, in 7 pages.
 Office Action in corresponding Chinese Application No. 201380016516.9, dated Mar. 28, 2016, in 12 pages.
 Office Action in corresponding Australian Patent Application No. 2016201439, dated May 14, 2020, in 6 pages.
 Office Action in corresponding Australian Patent Application No. 2016201439, dated Feb. 15, 2021, in 8 pages.
 Office Action in corresponding Chinese Patent Application No. 201610127661.X, dated Nov. 1, 2019, in 10 pages.
 Office Action in corresponding Chinese Patent Application No. 201610127661.X, dated Aug. 4, 2020, in 27 pages.
 Office Action in corresponding Chinese Patent Application No. 201610127661.X, dated Mar. 3, 2021, in 24 pages.
 Extended Search Report in corresponding European Patent Application No. 16158630.0, dated Aug. 3, 2016, in 10 pages.
 Observations by Third Party in corresponding European Patent Application No. 16158630.0, dated Dec. 13, 2019, in 32 pages w/machine translation.
 Examination Report in corresponding European Patent Application No. 16158630.0, dated Jan. 20, 2020, in 6 pages.
 Observations by Third Party in corresponding European Patent Application No. 16158630.0, dated Jan. 4, 2021, in 8 pages.
 Office Action in corresponding European Community Design Patent Application No. 002764860-0001, dated Sep. 7, 2015, in 4 pages.
 Office Action in corresponding Japanese Patent Application No. 2016-015496, dated Oct. 18, 2016, in 3 pages.
 Office Action in corresponding Chinese Patent Application No. 201810226508.1, dated Mar. 3, 2021, in 23 pages.
 Extended Search Report in corresponding European Patent Application No. 18161558.4, dated Oct. 24, 2018, in 11 pages.
 Office Action in corresponding European Patent Application No. 18161558.4, dated Jun. 12, 2019, in 4 pages.
 Summons to attend oral proceedings in corresponding European Patent Application No. 18161558.4, dated Mar. 2, 2020, in 6 pages.

* cited by examiner

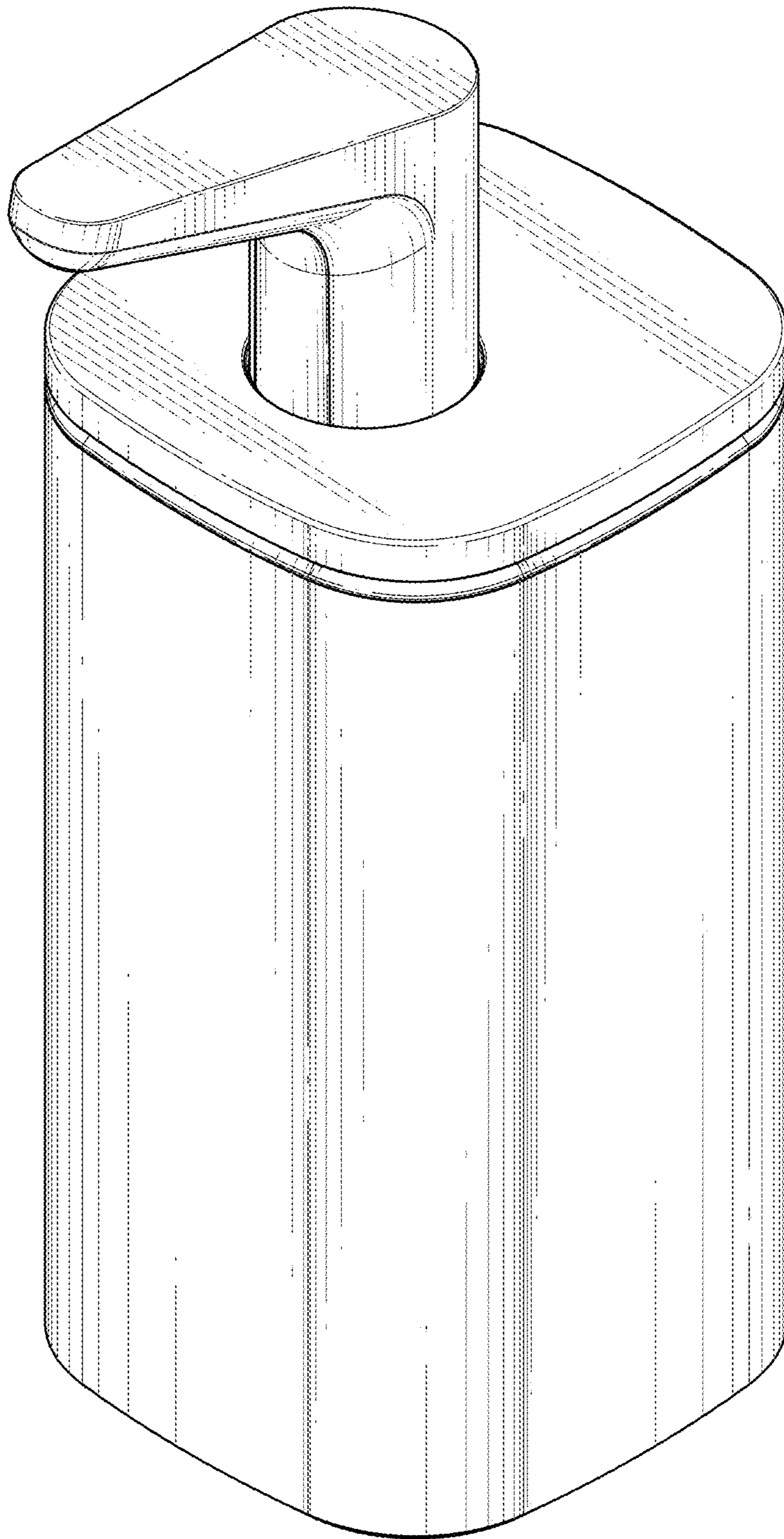


FIG. 1

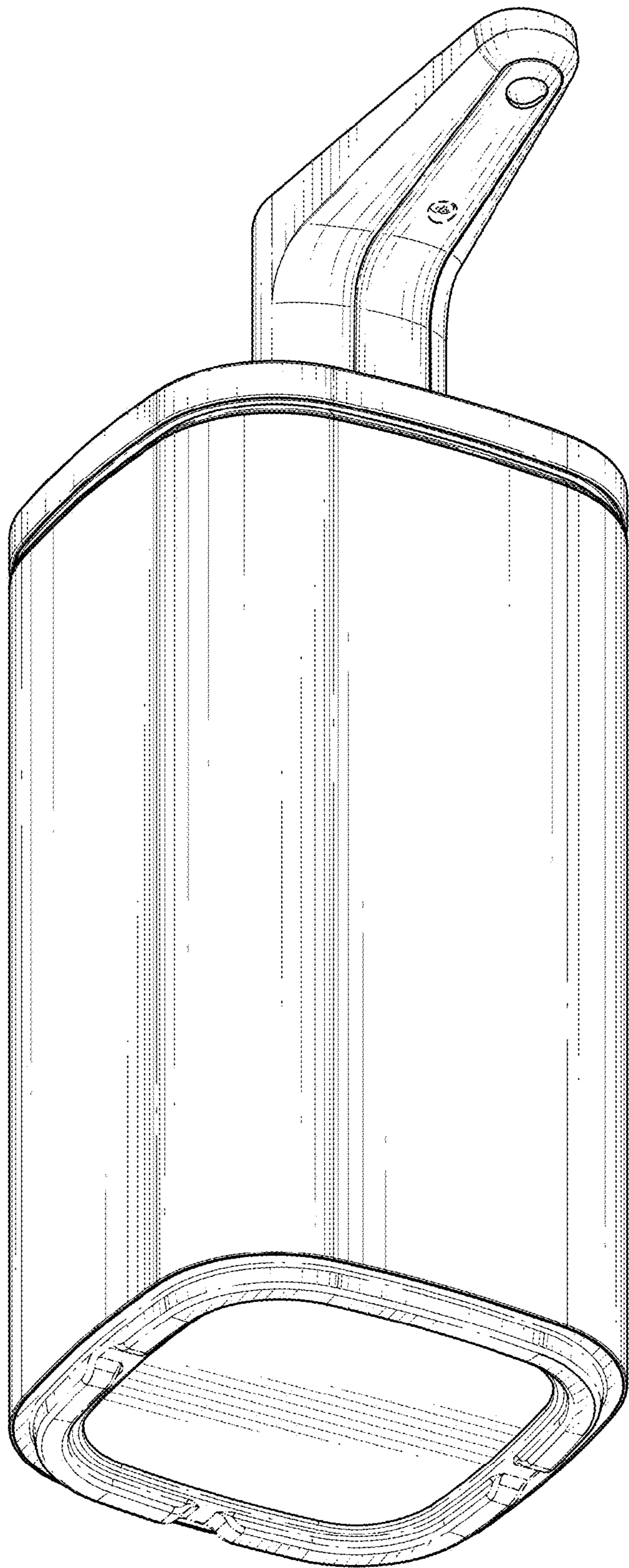


FIG. 2

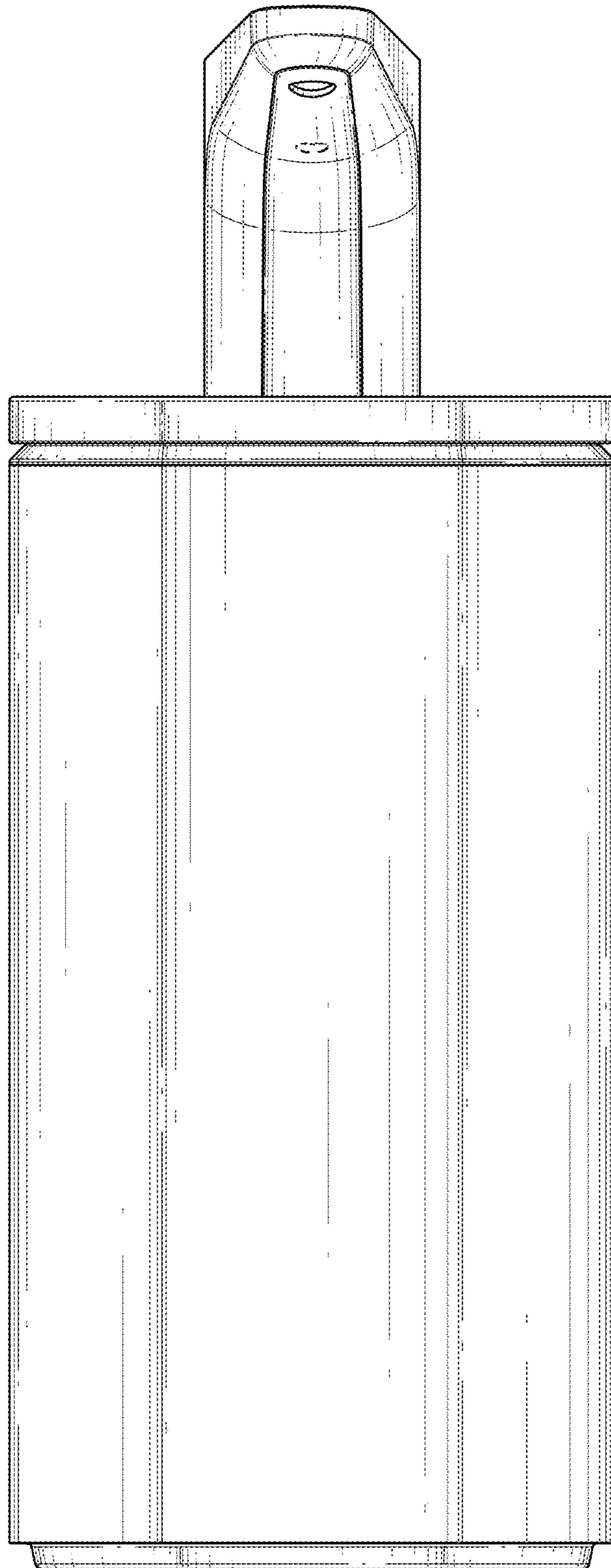


FIG. 3

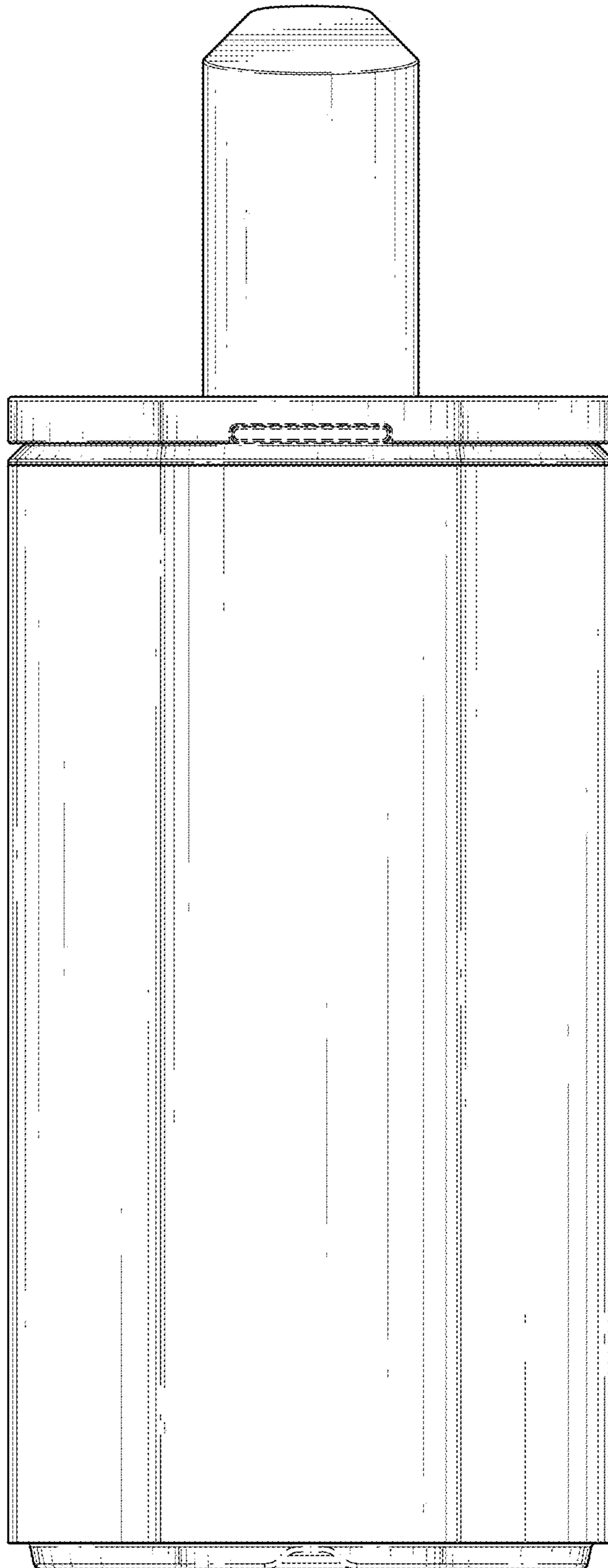


FIG. 4

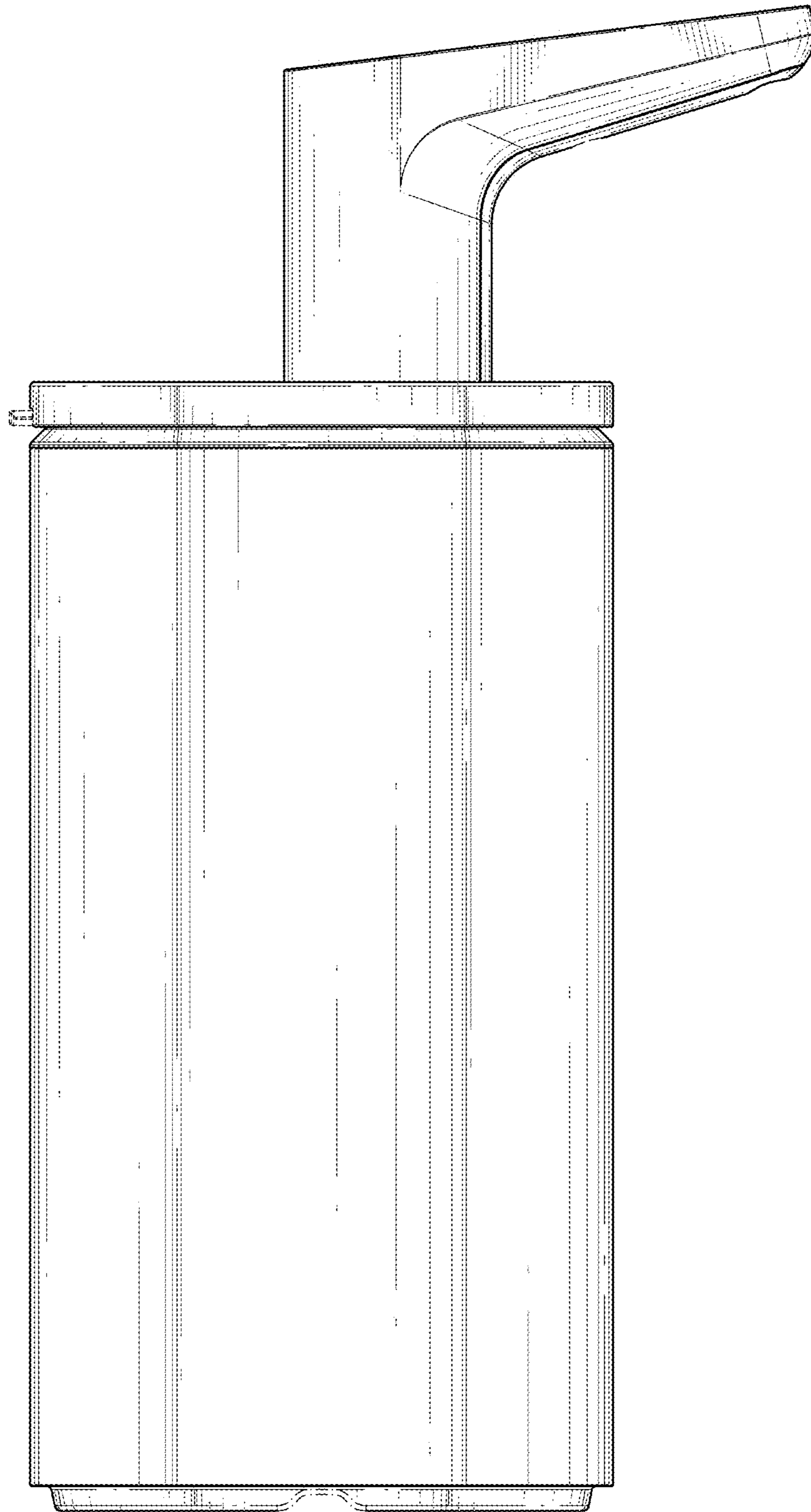


FIG. 5

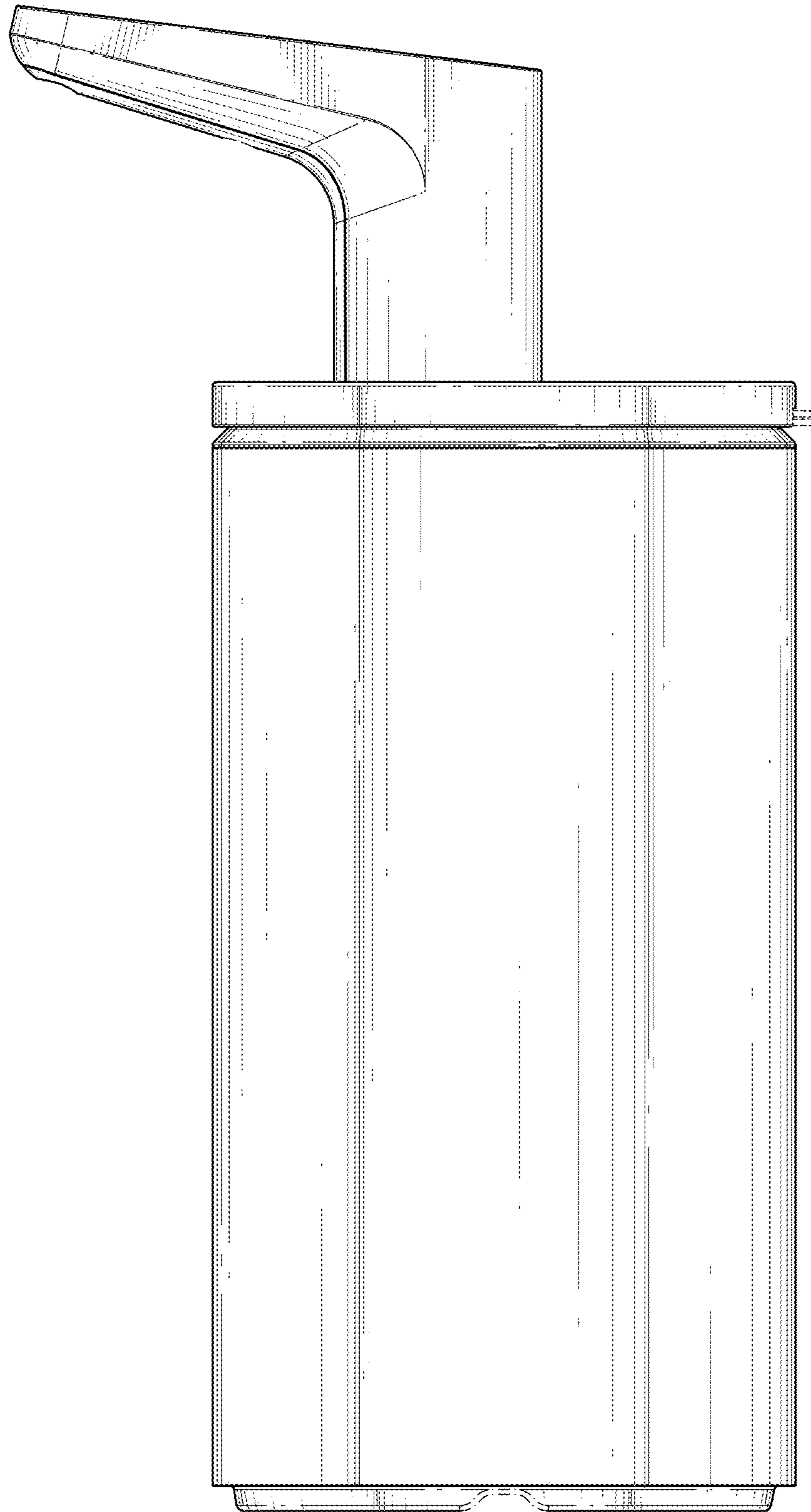


FIG. 6

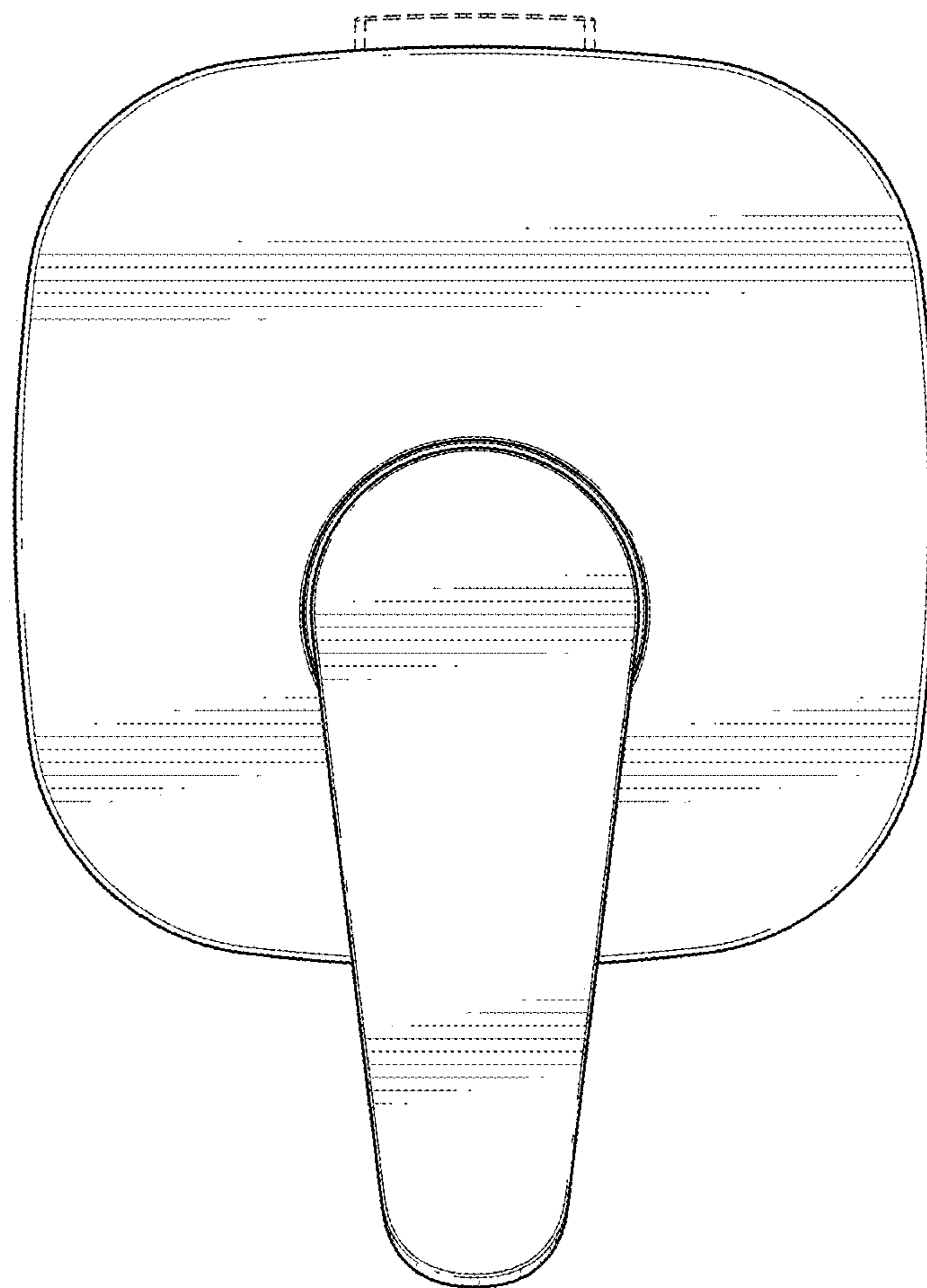


FIG. 7

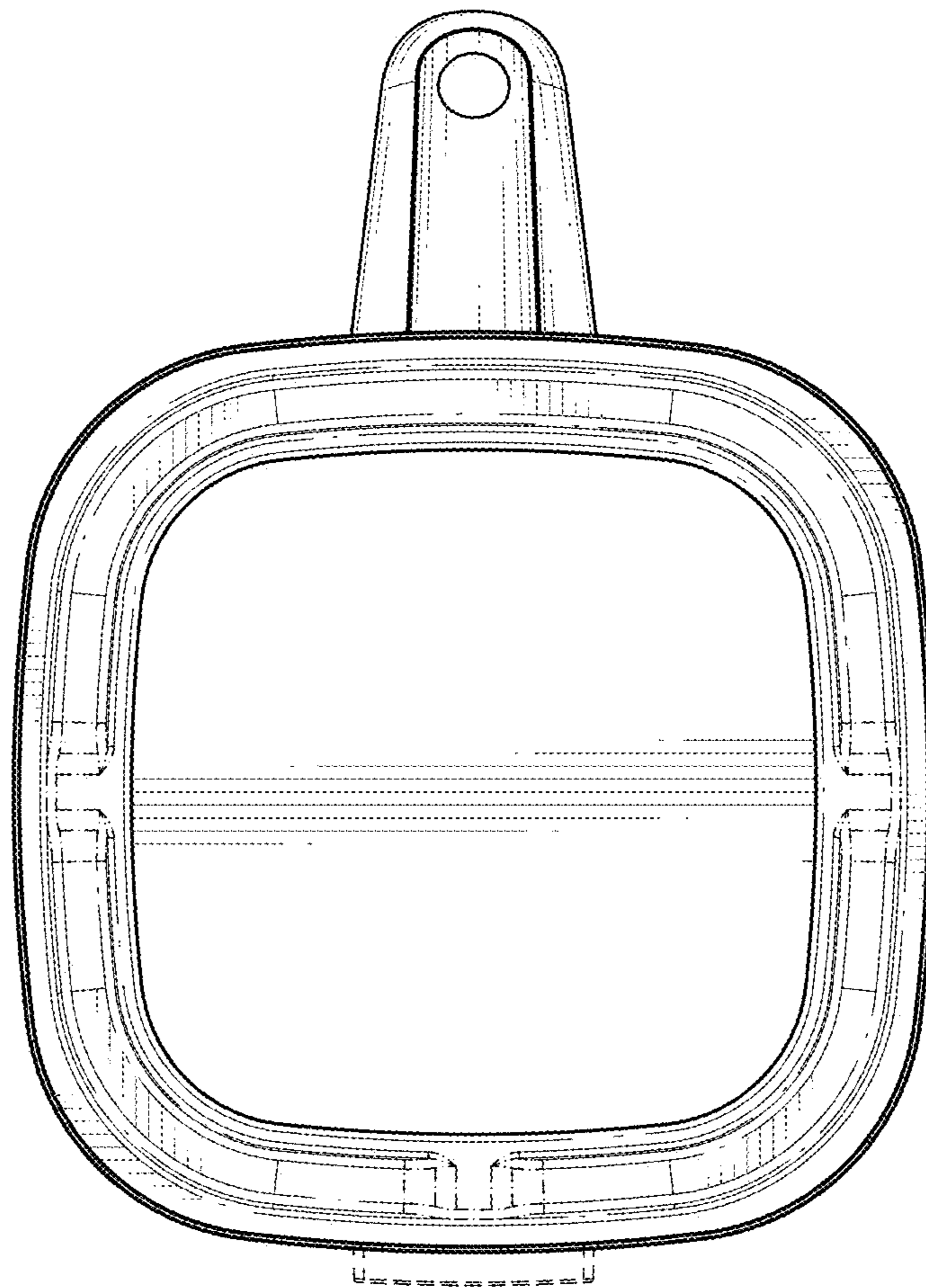


FIG. 8