

US00D962671S

(12) **United States Design Patent** (10) **Patent No.:** **US D962,671 S**
Young (45) **Date of Patent:** **** Sep. 6, 2022**

(54) **MODULAR TOILET PAPER DISPENSER COVER**

(71) Applicant: **George Edward Young**, Sacramento, CA (US)

(72) Inventor: **George Edward Young**, Sacramento, CA (US)

(**) Term: **15 Years**

(21) Appl. No.: **29/755,285**

(22) Filed: **Oct. 19, 2020**

(51) **LOC (13) Cl.** **23-08**

(52) **U.S. Cl.**
USPC **D6/523; D6/520**

(58) **Field of Classification Search**
USPC D6/512, 515, 518, 519, 520, 521, 522, D6/523, 546, 547, 549, 550; D7/631; D19/89; D8/396, 367, 399; 248/905, 248/309.1, 309.2, 250; 221/92, 45, 63, 221/34, 46, 259

CPC A47K 10/38; A47K 10/3836; A47K 10/16; A47K 10/18; A47K 10/04; A47K 10/24; A47K 10/32; A47K 10/22; A47K 2010/3253; B65H 2701/1924

See application file for complete search history.

(56) **References Cited**

U.S. PATENT DOCUMENTS

- D165,532 S * 12/1951 Lind D6/533
- 2,697,562 A * 12/1954 Langer A47K 10/3836
- D238,464 S * 1/1976 Bauman D6/523
- D238,465 S * 1/1976 Bauman D6/521
- D246,021 S * 10/1977 Richards D6/519
- 5,816,553 A * 10/1998 Brown A47K 10/18
- 6,698,683 B2 * 3/2004 Young A47K 10/3836

- 6,988,691 B1 * 1/2006 Lai A47K 10/38
- 242/598.5
- D540,591 S * 4/2007 Snell D6/523
- D611,283 S * 3/2010 Pettigrew D6/520
- D642,410 S * 8/2011 Vaults, Jr. D6/524
- D790,875 S * 7/2017 Eads D6/546
- D822,404 S * 7/2018 Eads D6/523
- 10,426,300 B1 * 10/2019 Young A47K 10/3836
- D867,011 S * 11/2019 Snell D6/520
- D895,318 S * 9/2020 Dratch D6/523
- D902,621 S * 11/2020 Peng D6/520
- 2004/0000612 A1 * 1/2004 Young A47K 10/3836
- 242/597.8
- 2014/0131530 A1 * 5/2014 Webb A47G 23/02
- 248/149

* cited by examiner

Primary Examiner — Marie D. Fast Horse
Assistant Examiner — Jennifer Sierra Yosinski
(74) *Attorney, Agent, or Firm* — Douglas L. Weller

(57) **CLAIM**

The ornamental design for a modular toilet paper dispenser cover, as shown and described.

DESCRIPTION

FIG. 1 is a front perspective view of a modular toilet paper dispenser cover, showing my new design;
FIG. 2 is a front view thereof;
FIG. 3 is a rear view thereof;
FIG. 4 is a right side view thereof;
FIG. 5 is a left side view thereof;
FIG. 6 is a top view thereof;
FIG. 7 is a bottom view thereof;
FIG. 8 is a front perspective view thereof, with an unclaimed modular toilet paper dispenser; and,
FIG. 9 is another front perspective view thereof, shown in-use.
In the drawings, the broken lines depict environmental structure that form no part of the claimed design.

1 Claim, 9 Drawing Sheets

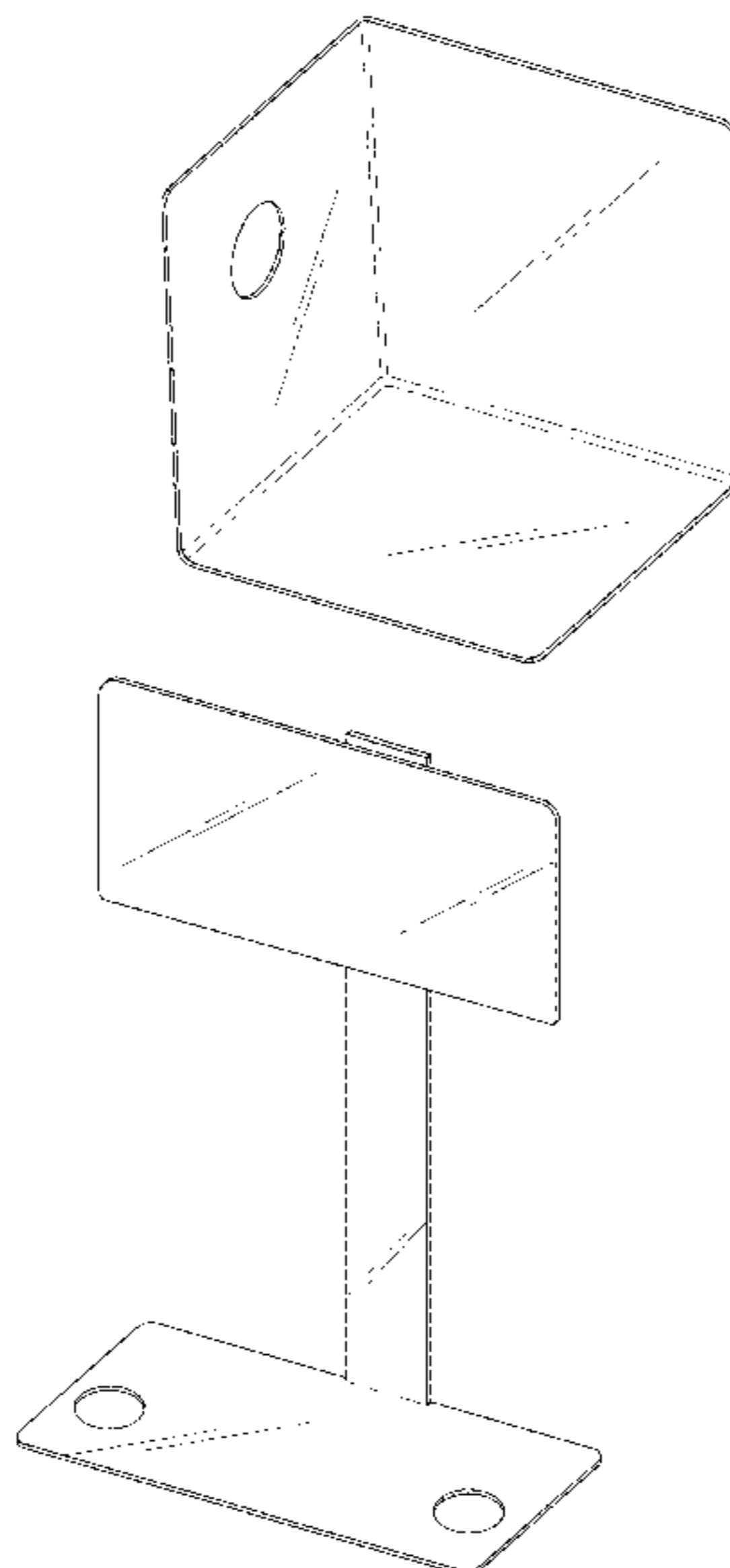
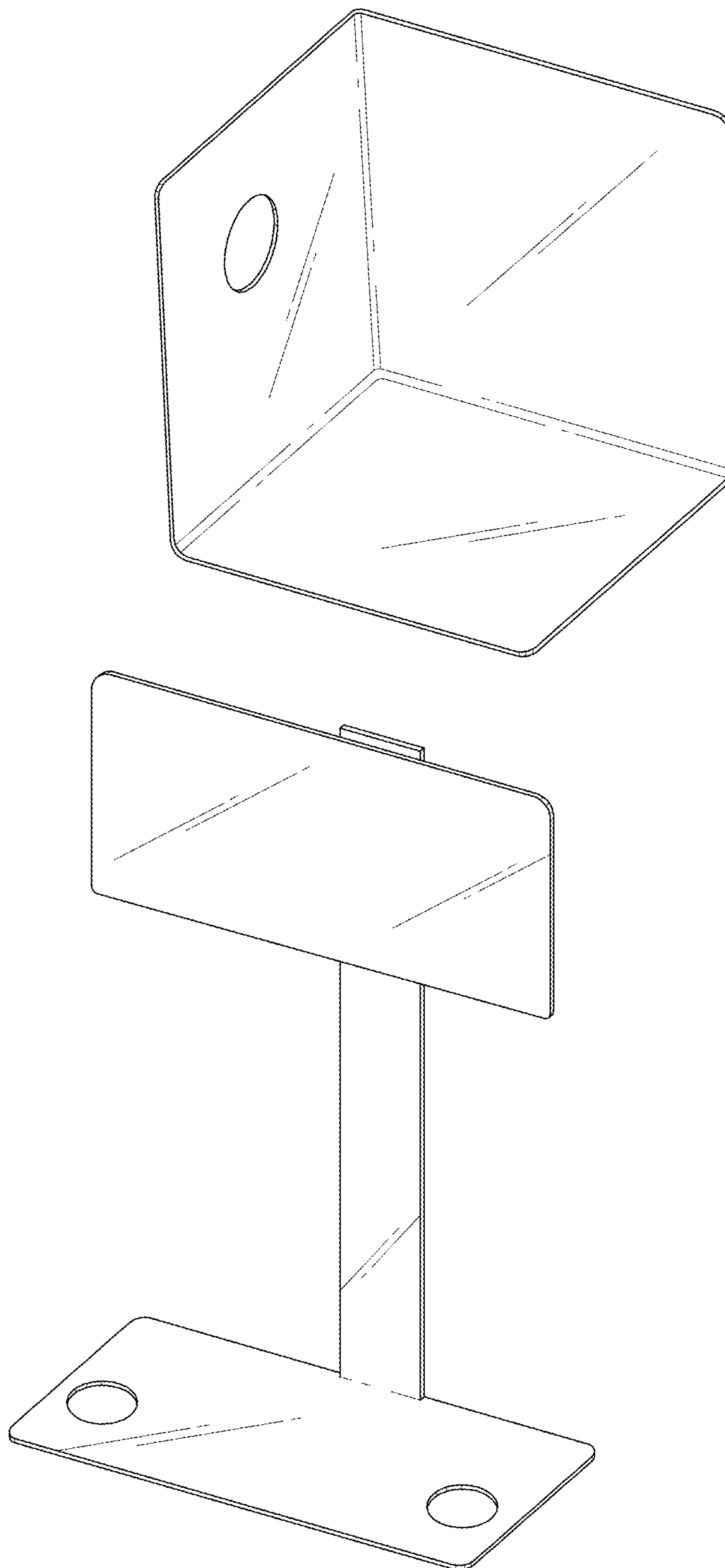


FIG. 1



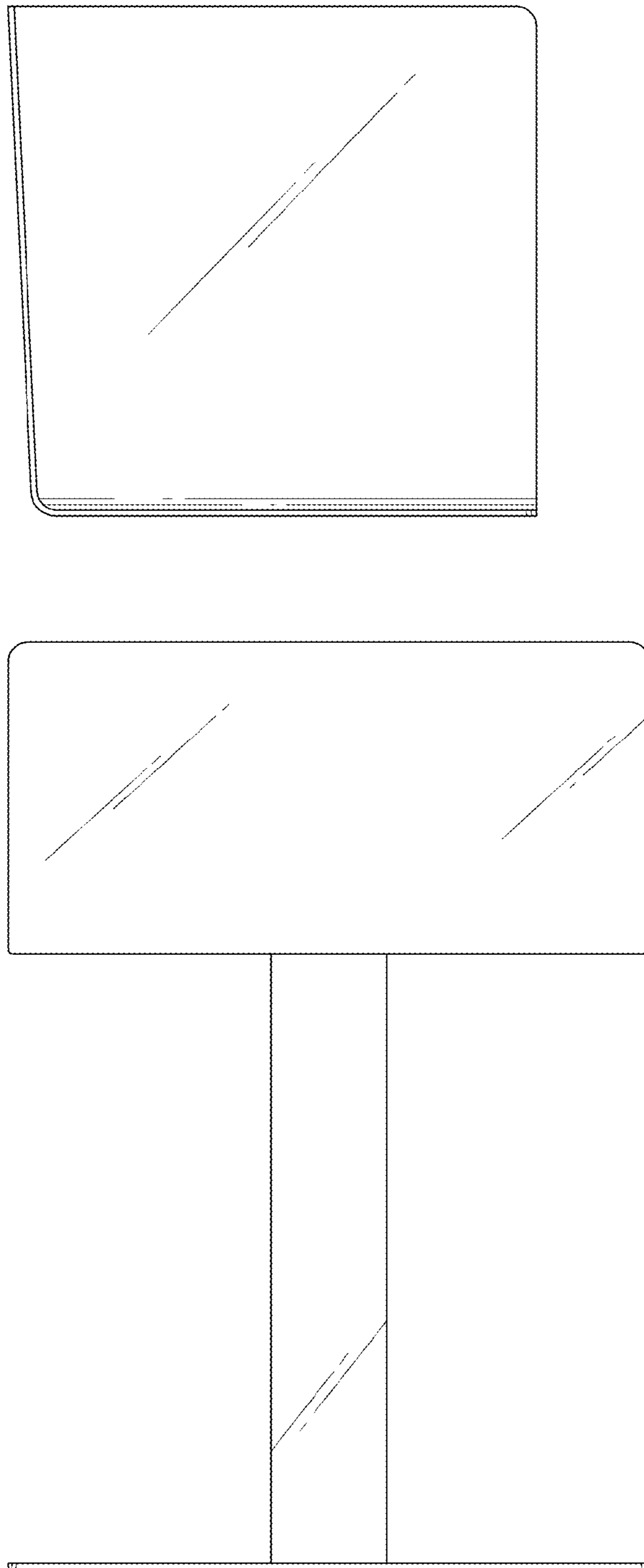


FIG. 2

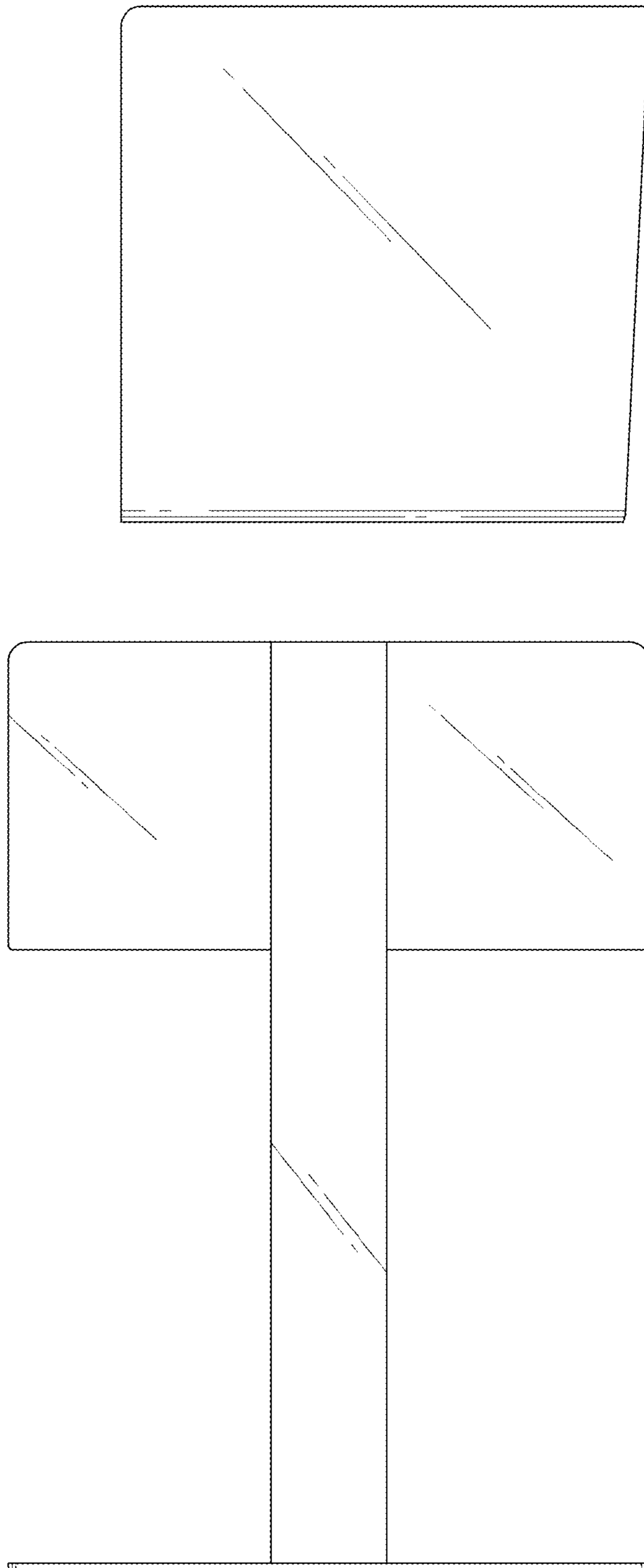


FIG. 3

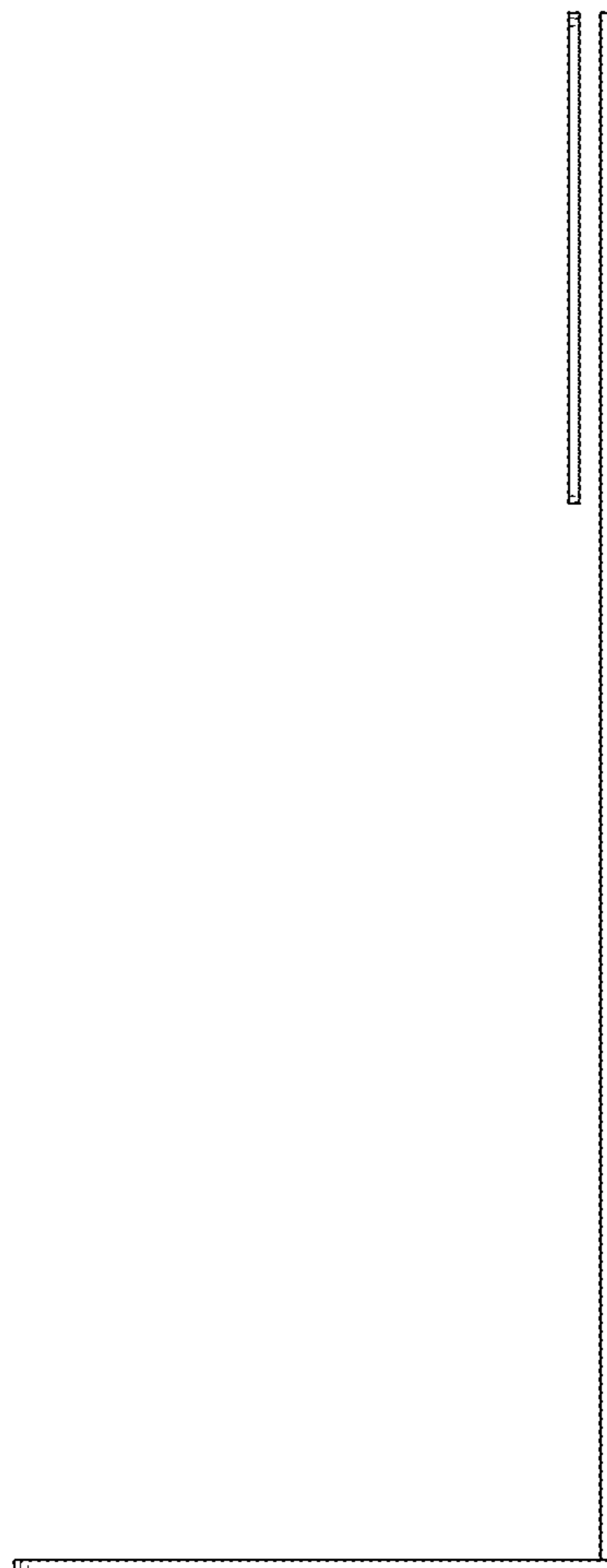
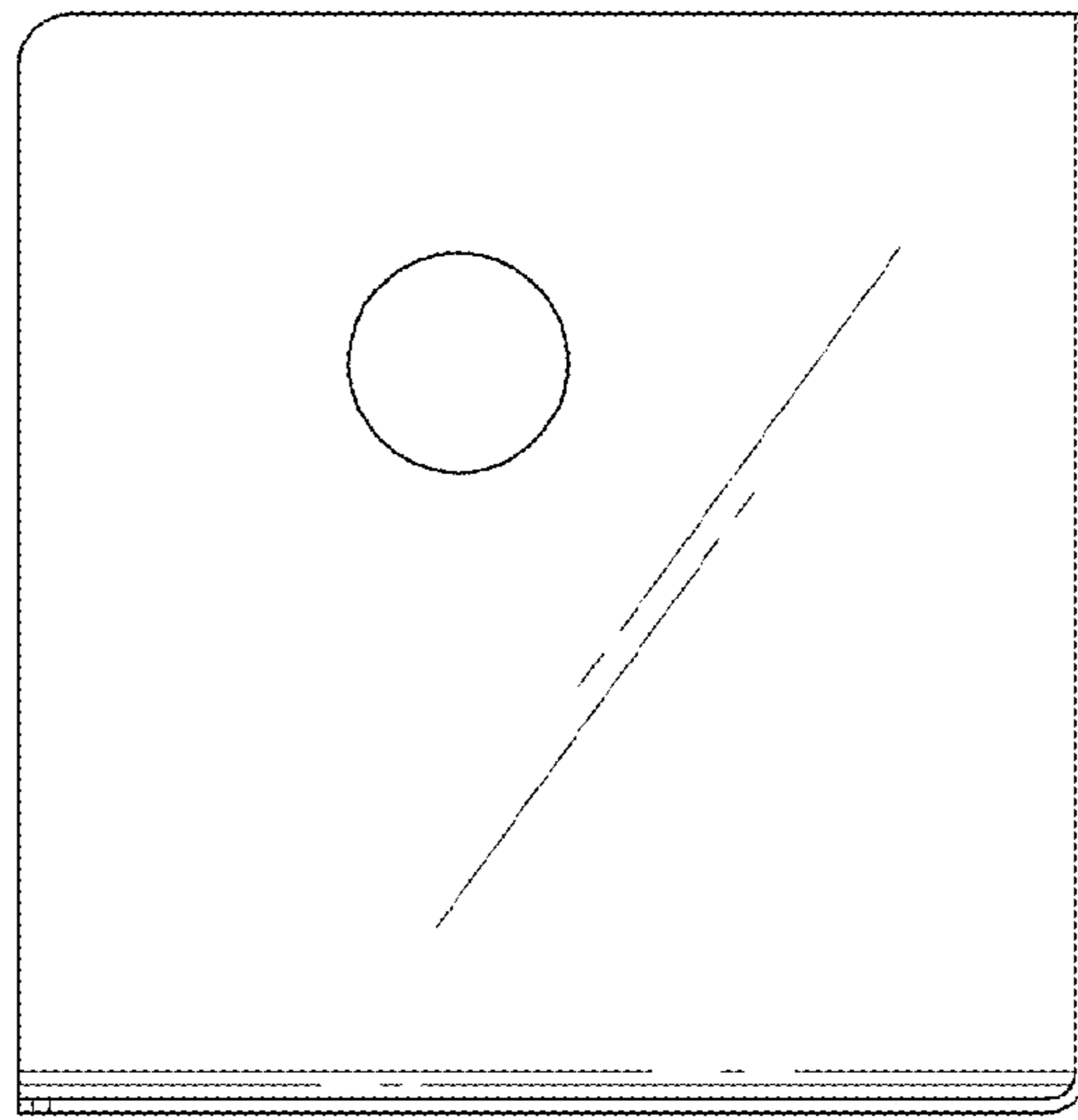


FIG. 4

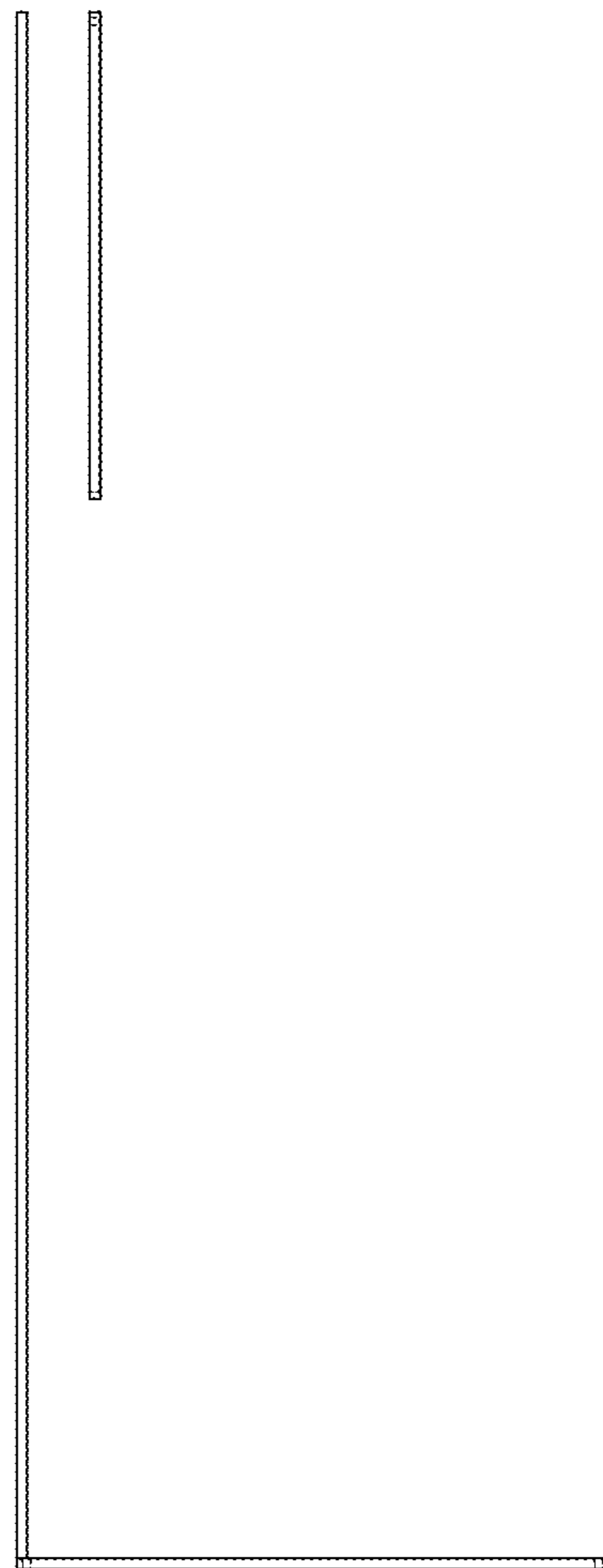
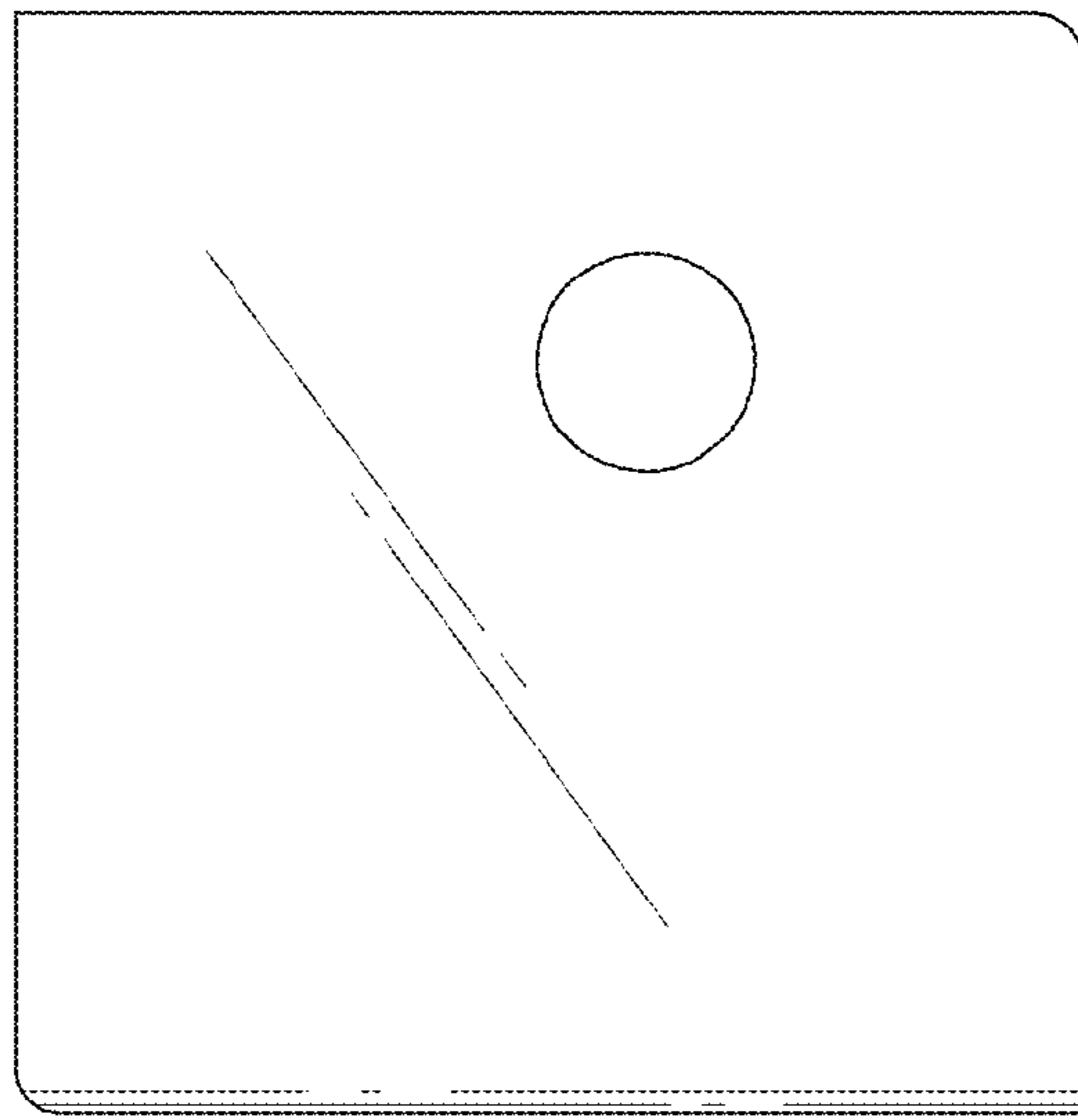


FIG. 5

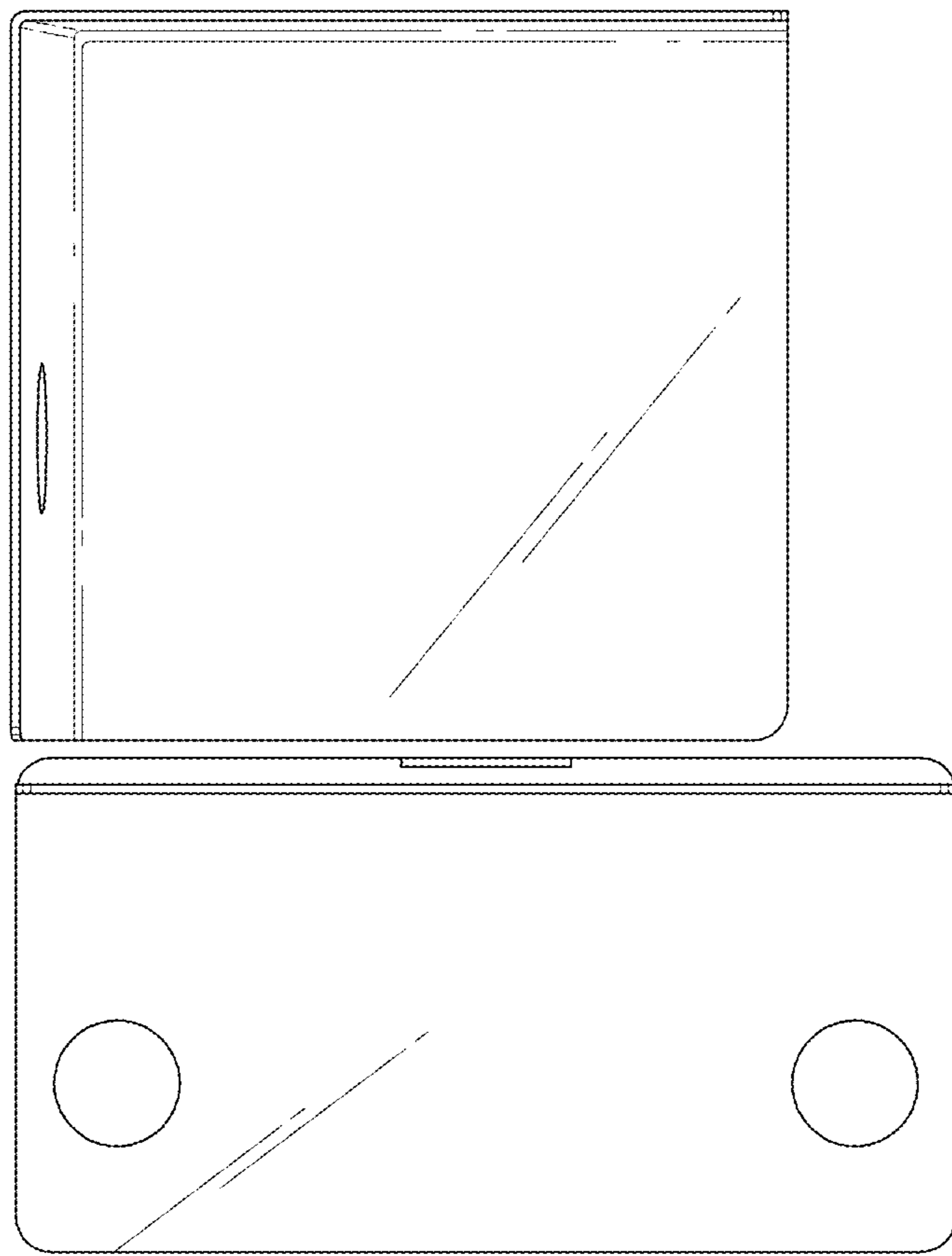


FIG. 6

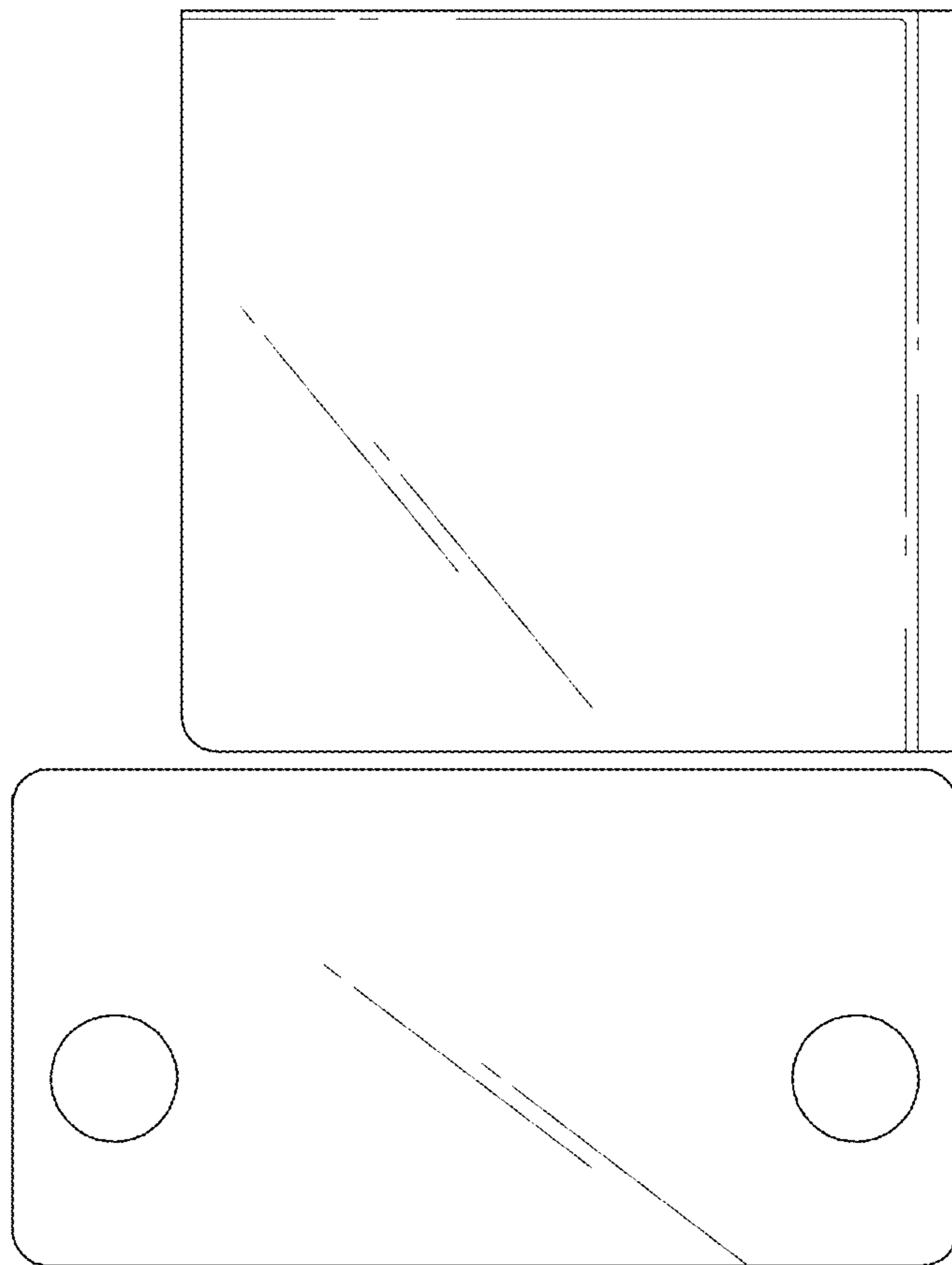


FIG. 7

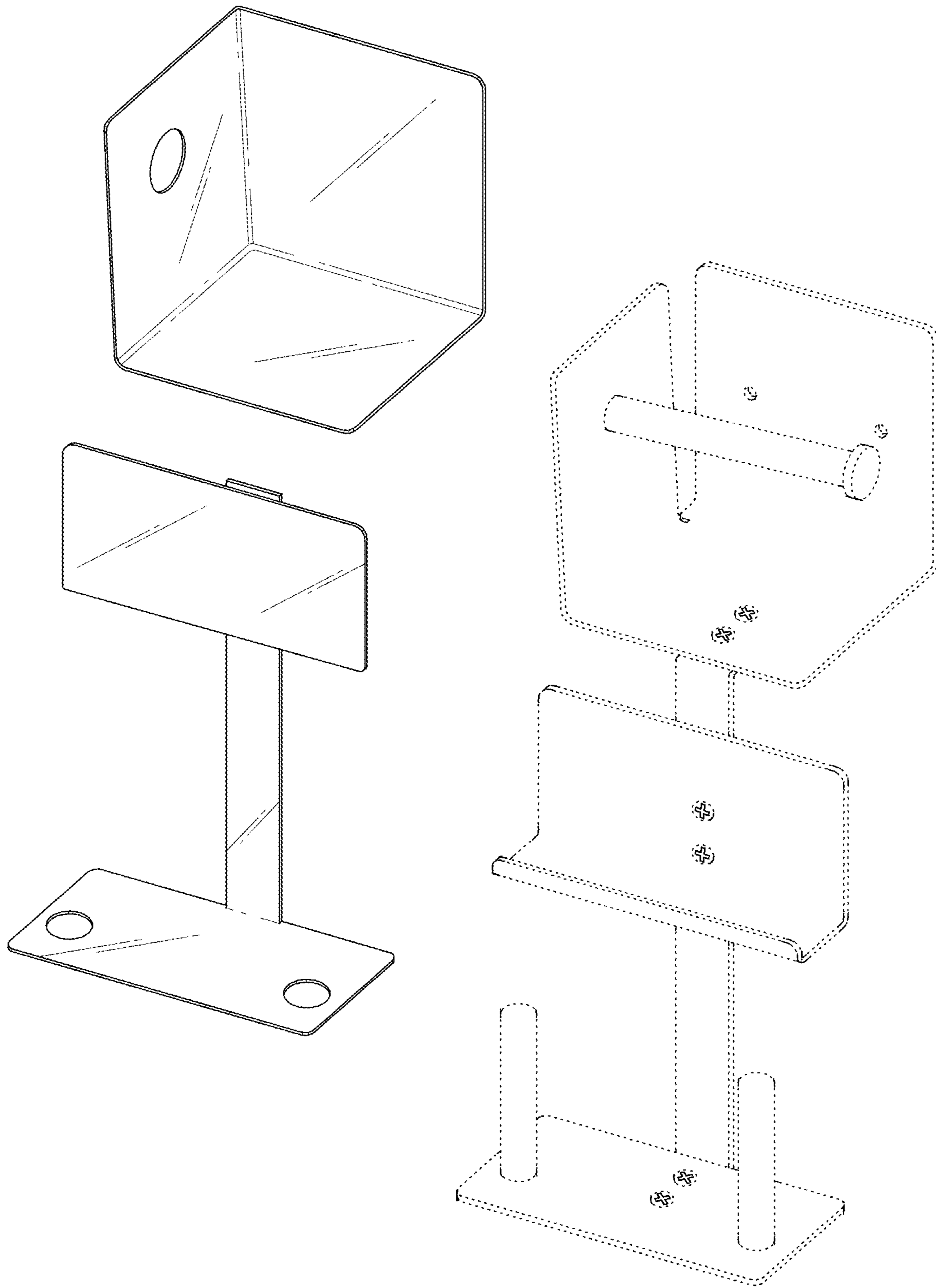


FIG. 8

FIG. 9

