

US00D962670S

(12) **United States Design Patent** (10) **Patent No.:** **US D962,670 S**  
**Young** (45) **Date of Patent:** **\*\* Sep. 6, 2022**

(54) **MODULAR TOILET PAPER DISPENSER**  
(71) Applicant: **George Edward Young**, Sacramento, CA (US)  
(72) Inventor: **George Edward Young**, Sacramento, CA (US)  
(\*\*) Term: **15 Years**  
(21) Appl. No.: **29/755,279**  
(22) Filed: **Oct. 19, 2020**  
(51) **LOC (13) Cl.** ..... **23-08**  
(52) **U.S. Cl.**  
USPC ..... **D6/523**; D6/520  
(58) **Field of Classification Search**  
USPC ..... D6/512, 515, 518, 519, 520, 521, 522, D6/523, 546, 547, 549, 550; D7/631; D19/89; D8/396, 367, 399; 248/905, 248/309.1, 309.2, 250; 221/92, 45, 63, 221/34, 46, 259  
CPC .... A47K 10/38; A47K 10/3836; A47K 10/16; A47K 10/18; A47K 10/04; A47K 10/24; A47K 10/32; A47K 10/22; A47K 2010/3253; B65H 2701/1924  
See application file for complete search history.

6,988,691 B1 \* 1/2006 Lai ..... A47K 10/38 242/598.5  
D540,591 S \* 4/2007 Snell ..... D6/523  
D611,283 S \* 3/2010 Pettigrew ..... D6/520  
D642,410 S \* 8/2011 Vaults, Jr. .... D6/524  
D790,875 S \* 7/2017 Eads ..... D6/546  
D822,404 S \* 7/2018 Eads ..... D6/523  
10,426,300 B1 \* 10/2019 Young ..... A47K 10/3836  
D867,011 S \* 11/2019 Snell ..... D6/520  
D895,318 S \* 9/2020 Dratch ..... D6/523  
D902,621 S \* 11/2020 Peng ..... D6/520  
2004/0000612 A1 \* 1/2004 Young ..... A47K 10/3836 242/597.8  
2014/0131530 A1 \* 5/2014 Webb ..... A47G 23/02 248/149

\* cited by examiner

*Primary Examiner* — Marie D. Fast Horse  
*Assistant Examiner* — Jennifer Sierra Yosinski  
(74) *Attorney, Agent, or Firm* — Douglas L. Weller

(57) **CLAIM**

The ornamental design for a modular toilet paper dispenser, as shown and described.

**DESCRIPTION**

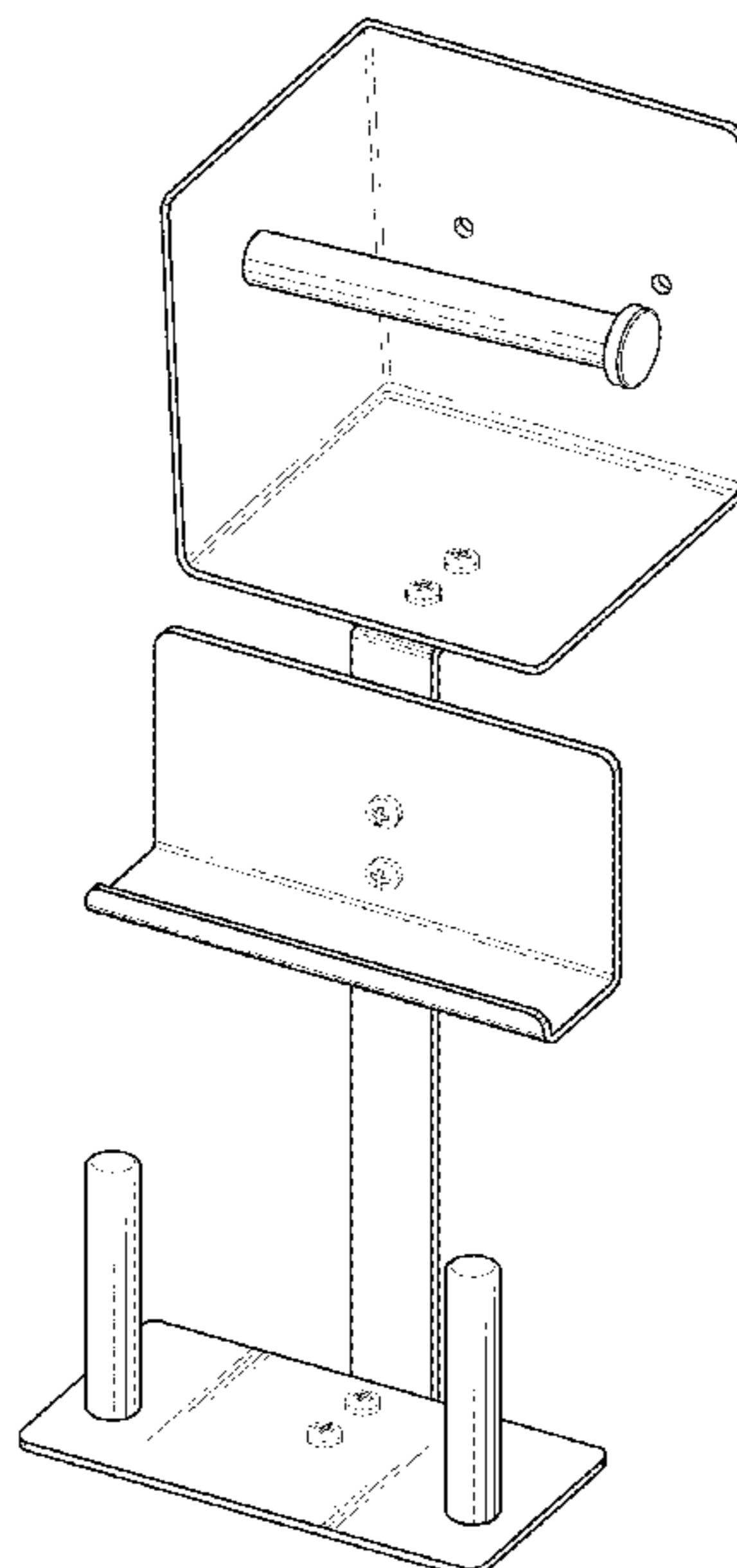
FIG. 1 is a front perspective view of a modular toilet paper dispenser showing my new design;  
FIG. 2 is a front view thereof;  
FIG. 3 is a rear view thereof;  
FIG. 4 is a right side view thereof;  
FIG. 5 is a left side view thereof;  
FIG. 6 is a top view thereof;  
FIG. 7 is a bottom view thereof; and,  
FIG. 8 is another front perspective view thereof, shown in-use.  
In the drawings, the broken lines depict unclaimed environmental subject matter only and form no part of the claimed design.

(56) **References Cited**

U.S. PATENT DOCUMENTS

D165,532 S \* 12/1951 Lind ..... D6/533  
2,697,562 A \* 12/1954 Langer ..... A47K 10/3836  
D19/89  
D238,464 S \* 1/1976 Bauman ..... D6/523  
D238,465 S \* 1/1976 Bauman ..... D6/521  
D246,021 S \* 10/1977 Richards ..... D6/519  
5,816,553 A \* 10/1998 Brown ..... A47K 10/18 248/309.2  
6,698,683 B2 \* 3/2004 Young ..... A47K 10/3836 242/597

**1 Claim, 8 Drawing Sheets**



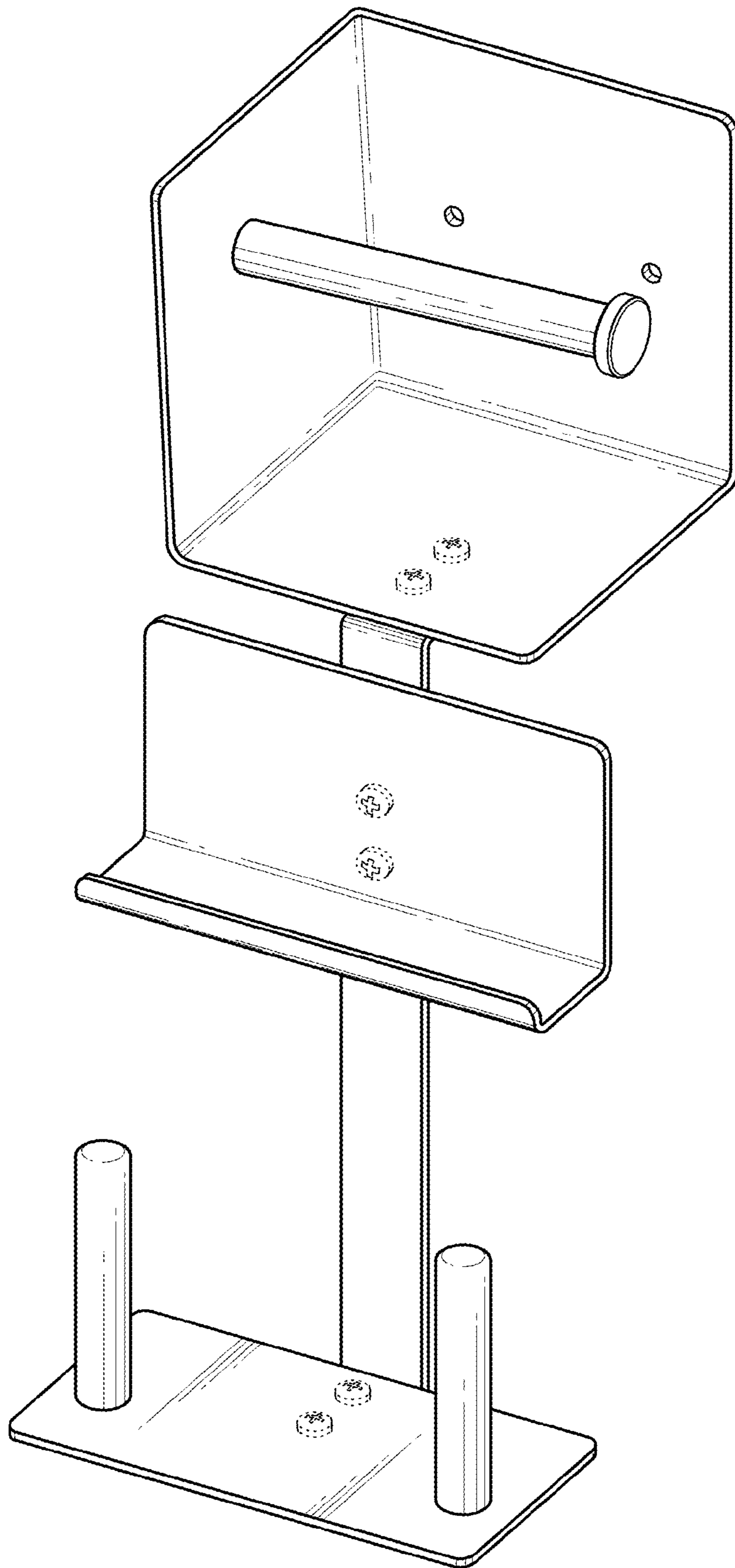


FIG. 1

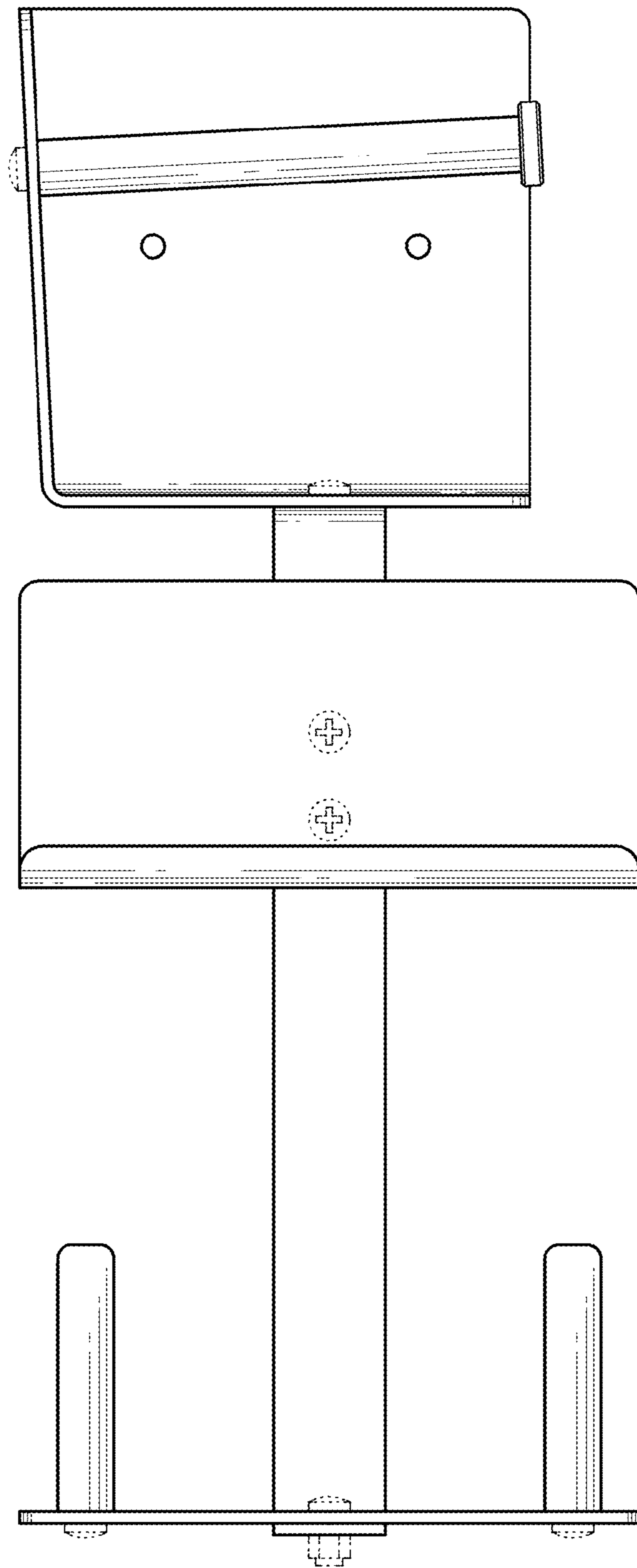


FIG. 2

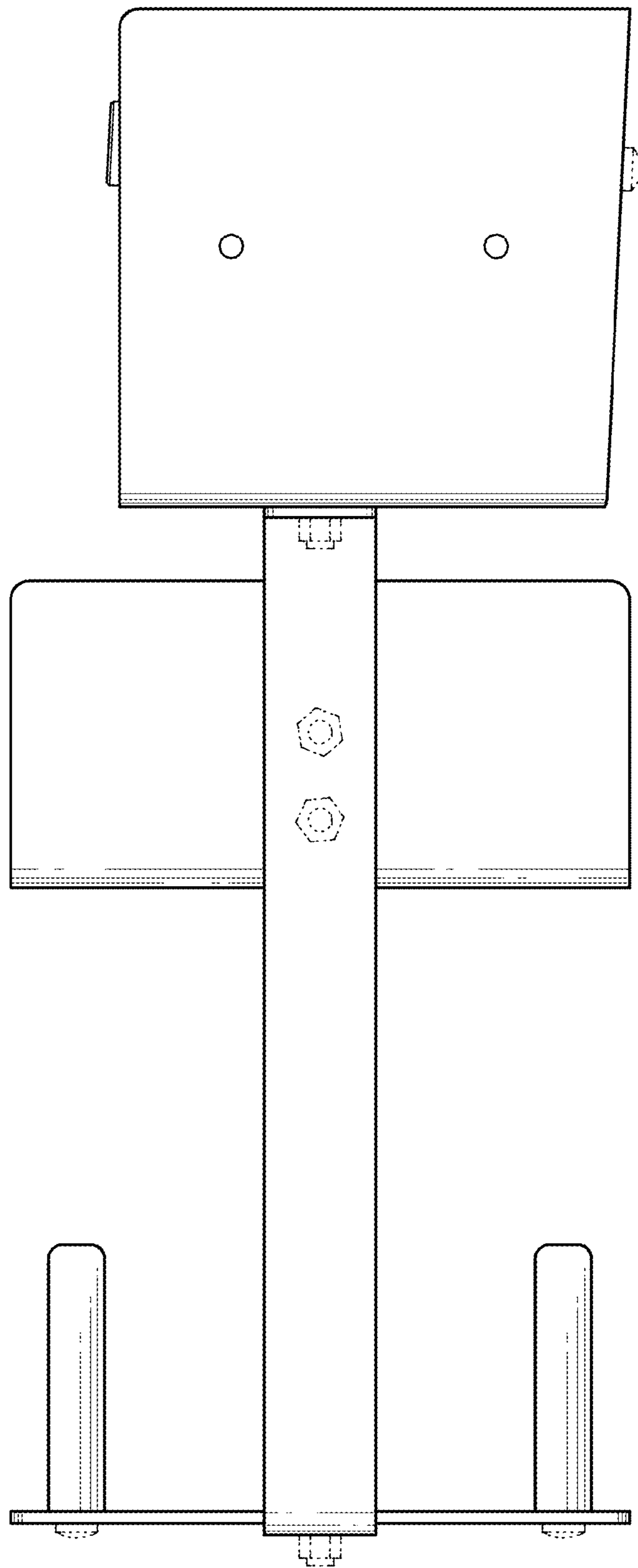


FIG. 3

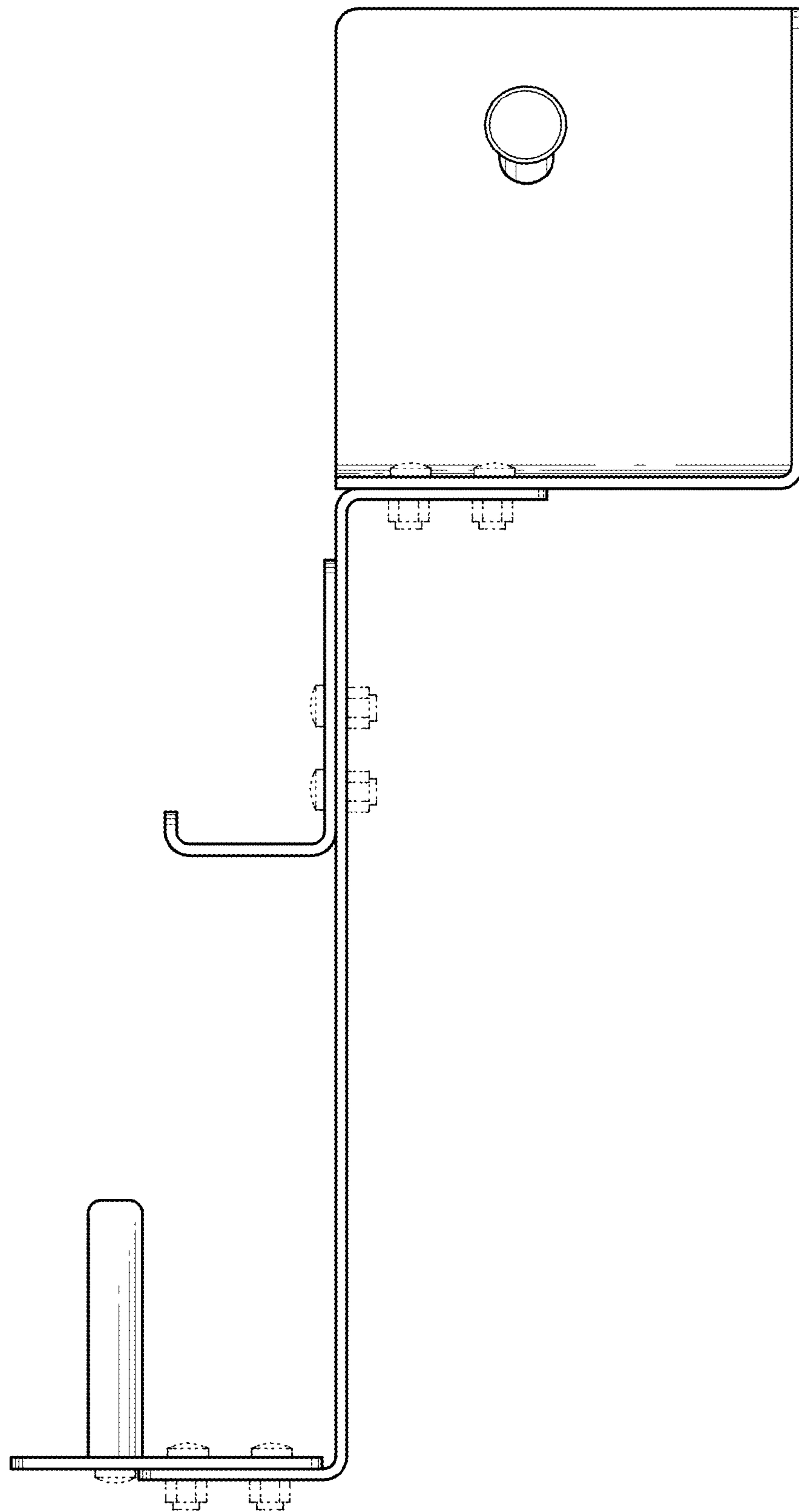


FIG. 4

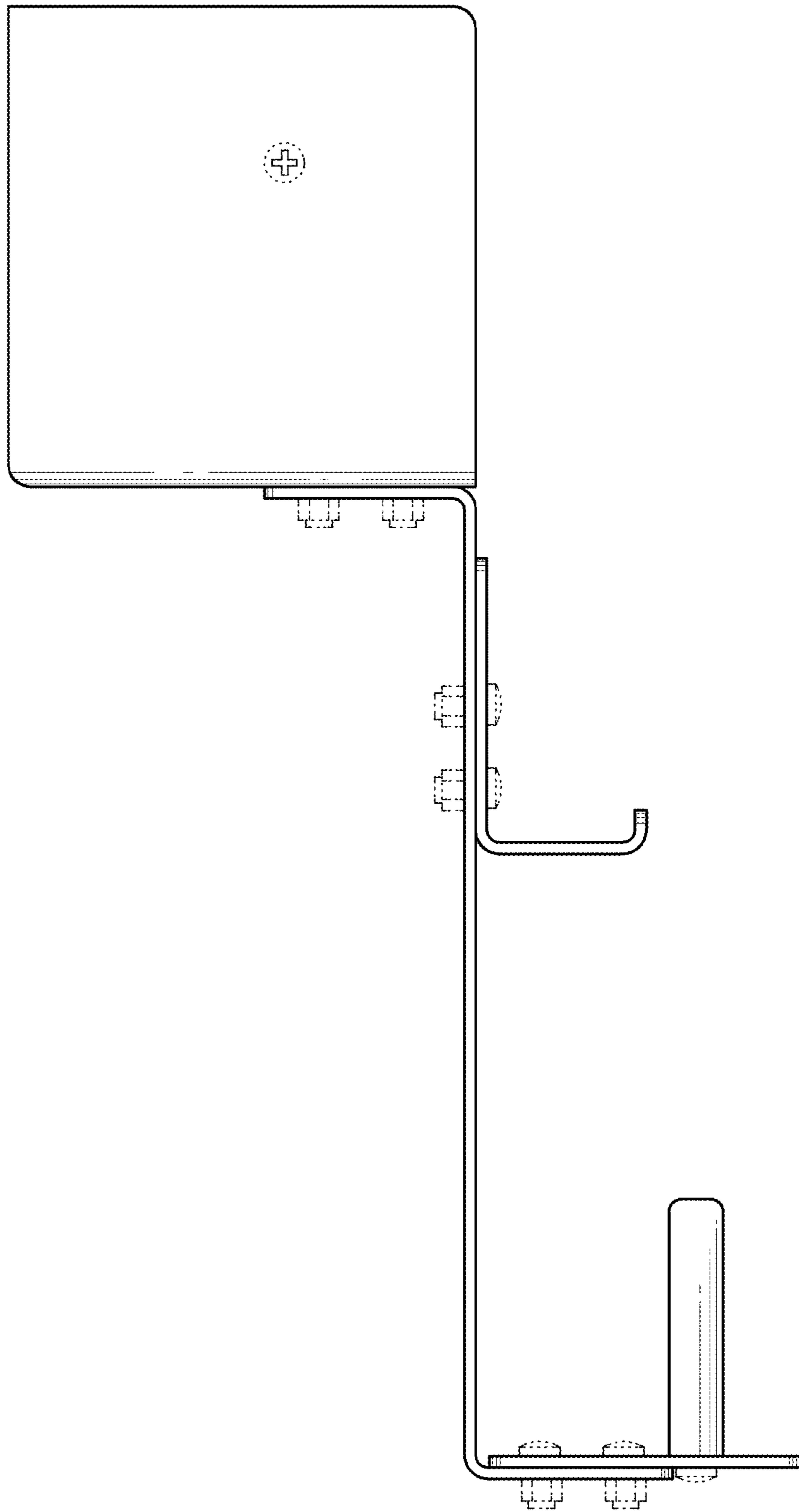


FIG. 5

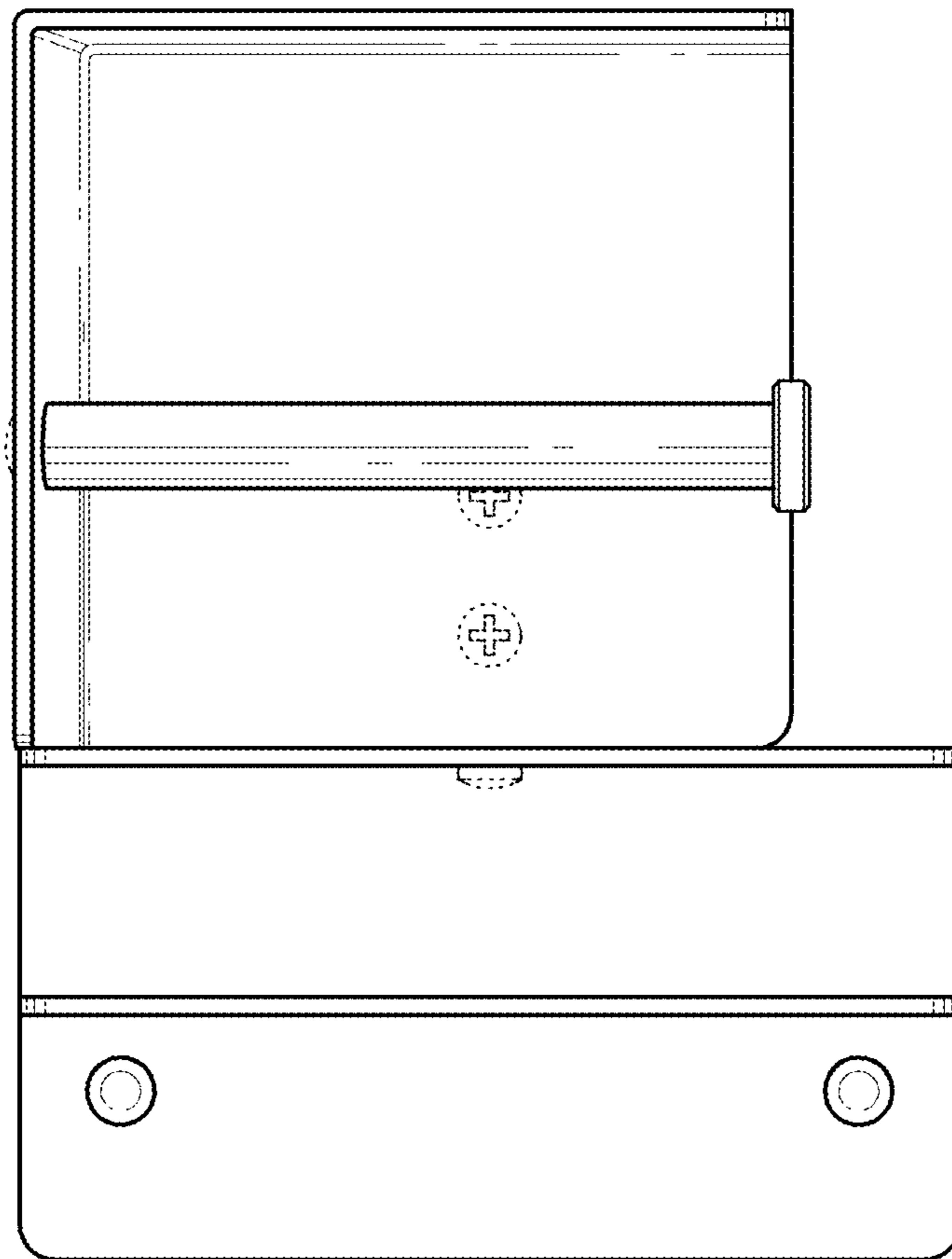


FIG. 6

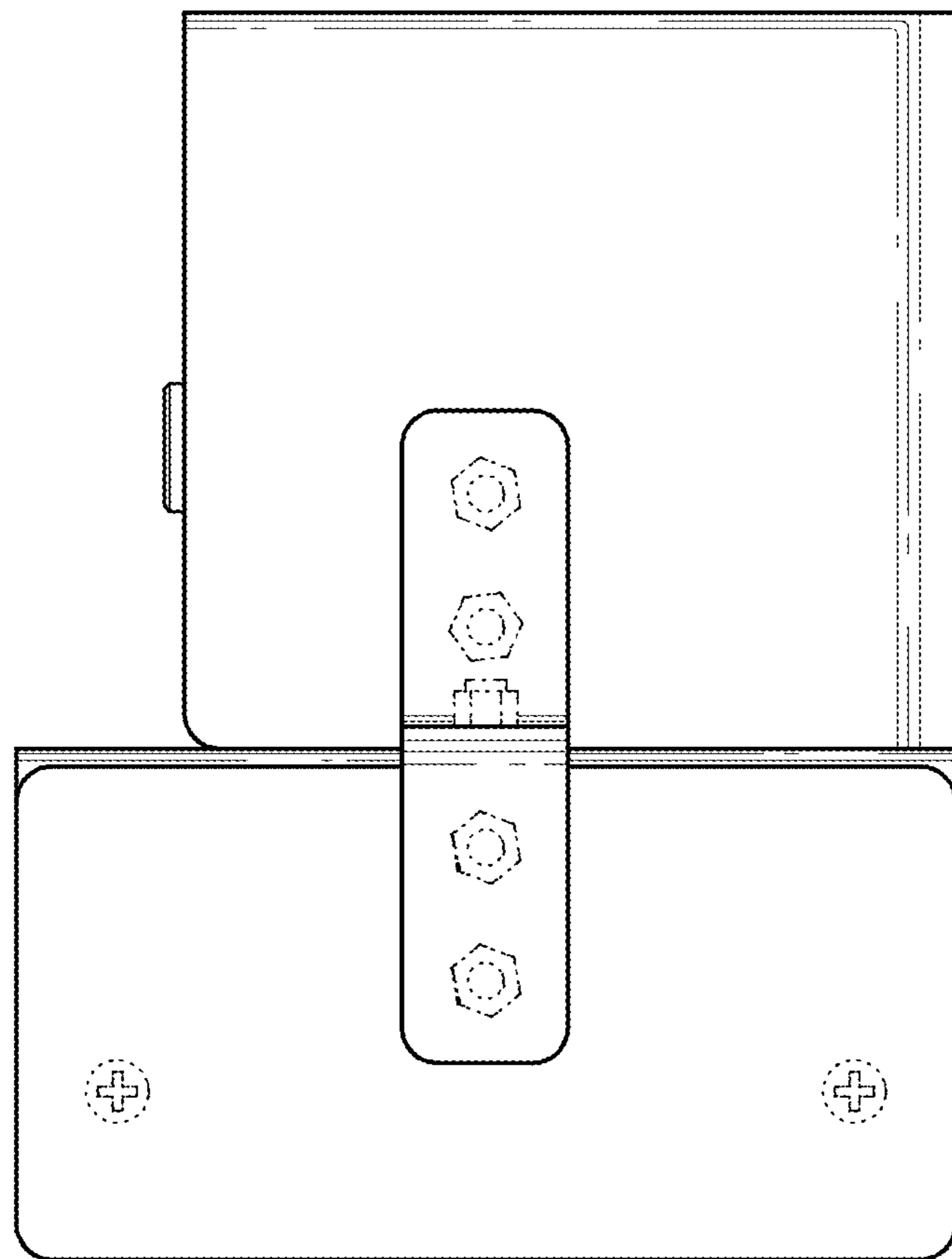


FIG. 7



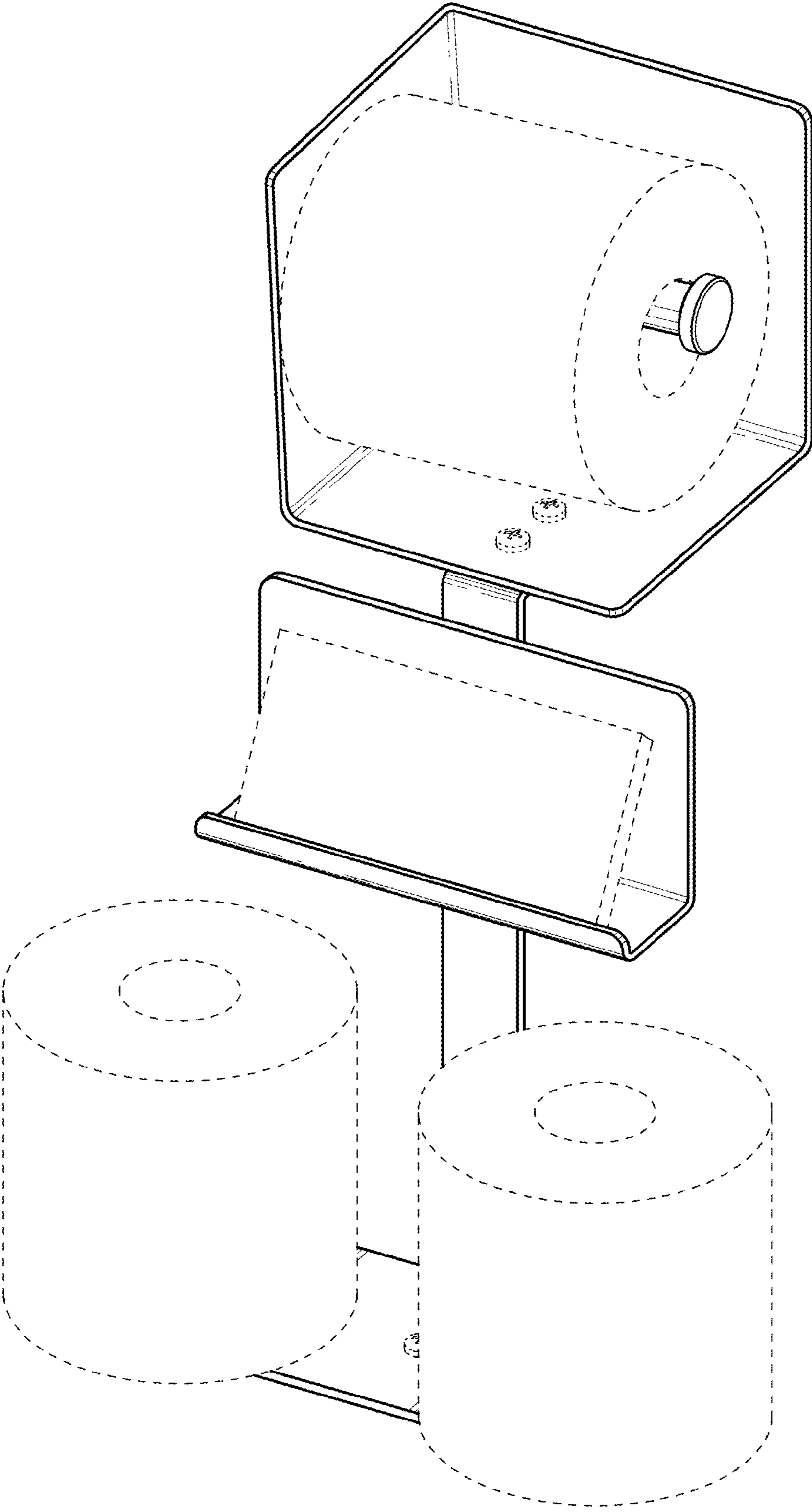


FIG. 8