



US00D962669S

(12) **United States Design Patent**  
**Fromme-Ruthmann**

(10) **Patent No.:** **US D962,669 S**  
(45) **Date of Patent:** **\*\* Sep. 6, 2022**

(54) **ADJUSTABLE HEADBOARD**  
(71) Applicant: **Froli Kunststoffwerk Heinrich Fromme, Inh.**, Schloss Holte-Stukenbrock (DE)  
(72) Inventor: **Margret Fromme-Ruthmann**, Schloss Holte-Stukenbrock (DE)

(\*\*) Term: **15 Years**

(21) Appl. No.: **35/511,680**

(22) Filed: **Feb. 26, 2021**

(80) **Hague Agreement Data**

Int. Filing Date: **Feb. 26, 2021**  
Int. Reg. No.: **DM/213453**  
Int. Reg. Date: **Feb. 26, 2021**  
Int. Reg. Pub. Date: **Apr. 9, 2021**

(51) **LOC (13) Cl.** ..... **06-02**

(52) **U.S. Cl.**  
USPC ..... **D6/392**

(58) **Field of Classification Search**  
USPC ..... D6/382-384, 392, 393, 718, 718.13  
CPC ..... A47C 1/146; A47C 7/00; A47C 19/00;  
A47C 19/02; A47C 19/022; A47C 20/00;  
A47C 20/04; A47C 20/026; A47C  
20/027; A47C 20/043

See application file for complete search history.

(56) **References Cited**

U.S. PATENT DOCUMENTS

588,622 A \* 8/1897 Ware ..... A47C 19/022  
5/634  
1,151,894 A \* 8/1915 Meinecke ..... A47C 20/027  
5/643  
1,297,088 A \* 3/1919 Buttler ..... A47C 20/027  
5/634

2,663,029 A \* 12/1953 Whitley ..... A47C 20/043  
5/640  
2,918,682 A \* 12/1959 Thoresen ..... A47C 20/043  
5/660  
3,292,189 A \* 12/1966 Parker ..... A47C 1/146  
5/656  
3,329,979 A \* 7/1967 Drapin ..... A47C 20/027  
5/634  
3,683,430 A \* 8/1972 Bradley ..... A47C 20/04  
5/634  
3,992,010 A \* 11/1976 Mattenson ..... A63F 9/06  
273/153 R  
D414,976 S \* 10/1999 Su ..... A47C 20/043  
D6/596  
6,561,582 B1 \* 5/2003 Steadman ..... B60N 2/2863  
297/256.16  
D827,322 S \* 9/2018 Hairabedian ..... A47C 20/027  
D6/392

\* cited by examiner

*Primary Examiner* — Mary Ann Calabrese

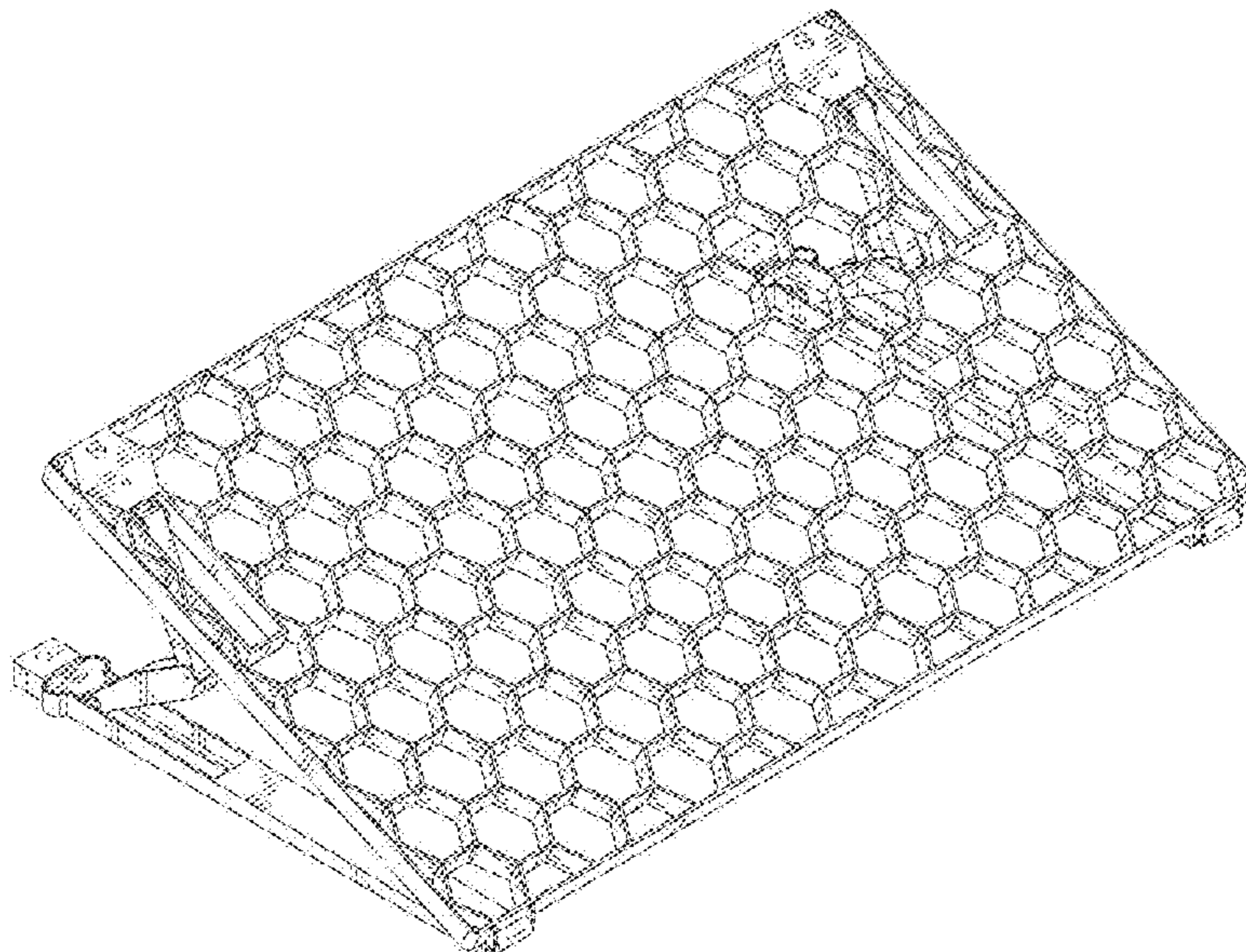
(57) **CLAIM**

The ornamental design for an adjustable headboard, as shown and described.

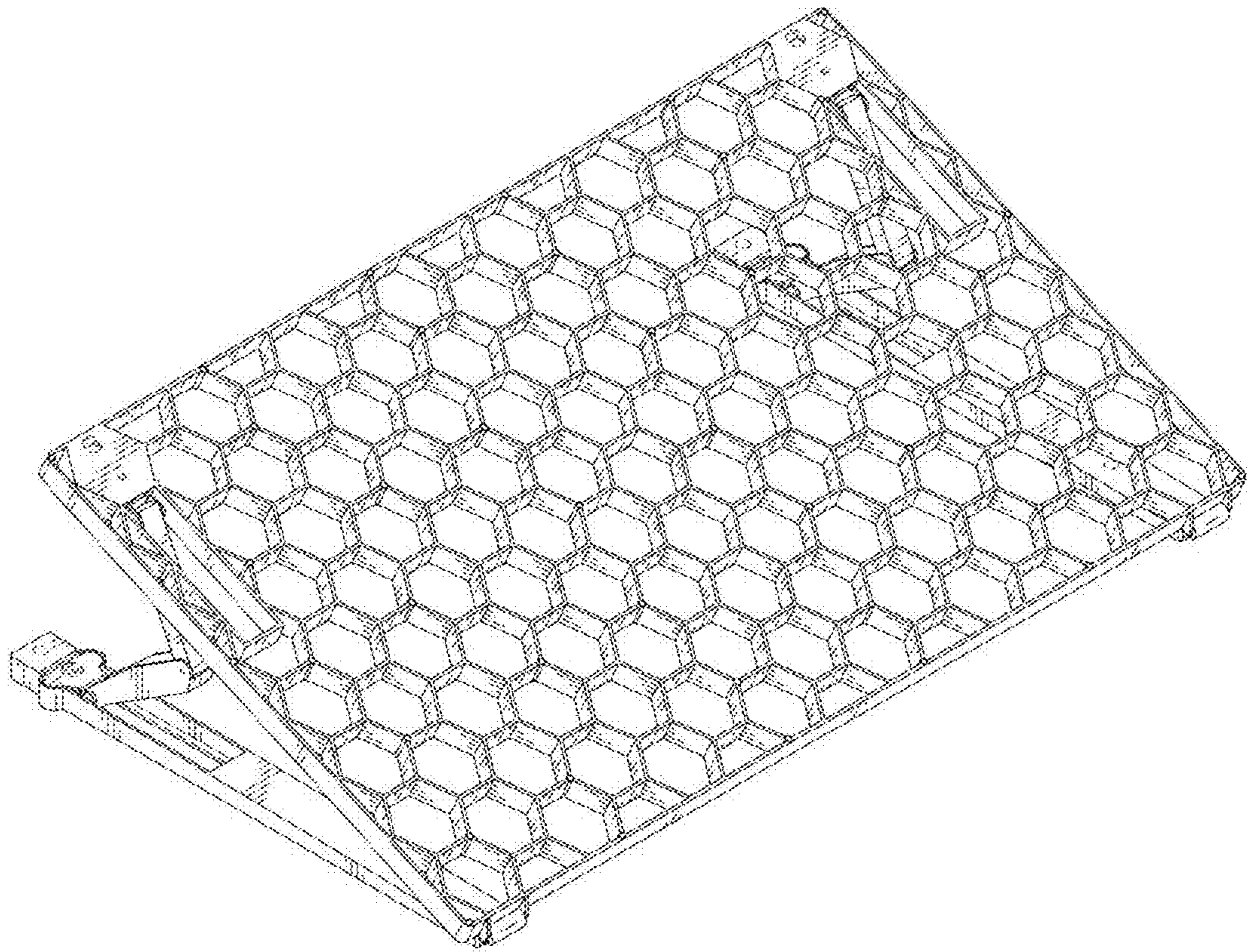
**DESCRIPTION**

1. Adjustable headboard  
Figure 1.1 is a perspective view of an adjustable headboard showing my new design.  
Figure 1.2 is a front view thereof.  
Figure 1.3 is a back view thereof.  
Figure 1.4 is a left view thereof.  
Figure 1.5 is a right view thereof.  
Figure 1.6 is a top view thereof.  
Figure 1.7 is a bottom view thereof.  
Figure 1.8 is another perspective thereof.  
The broken lines shown in Figures 1.1-1.8 illustrate portions of the adjustable headboard that form no part of the claimed design.

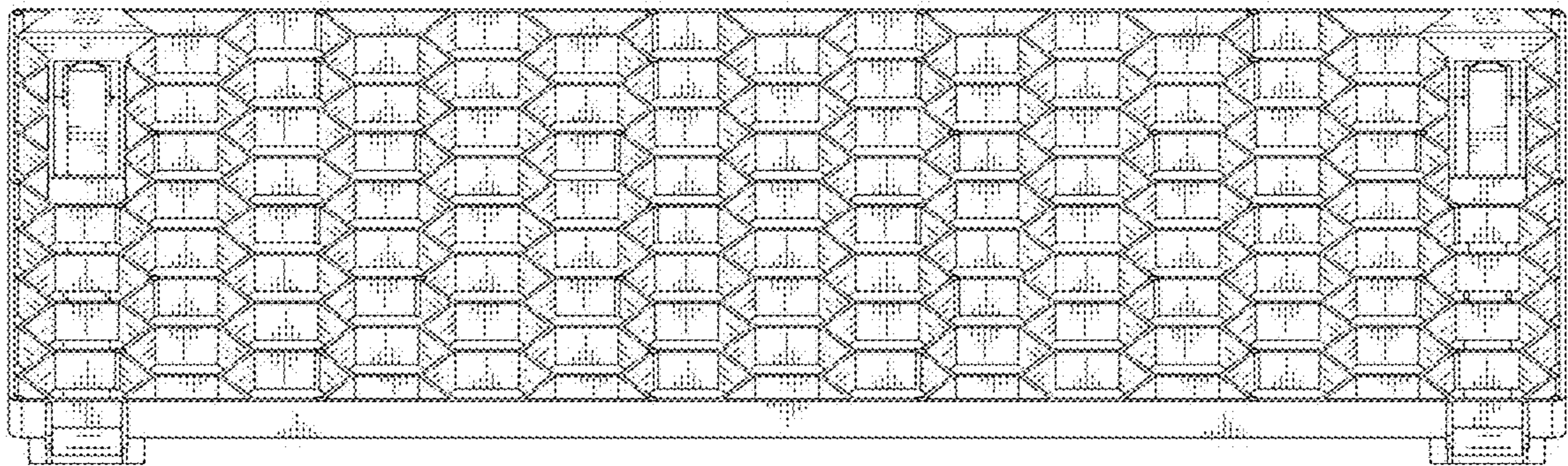
**1 Claim, 8 Drawing Sheets**



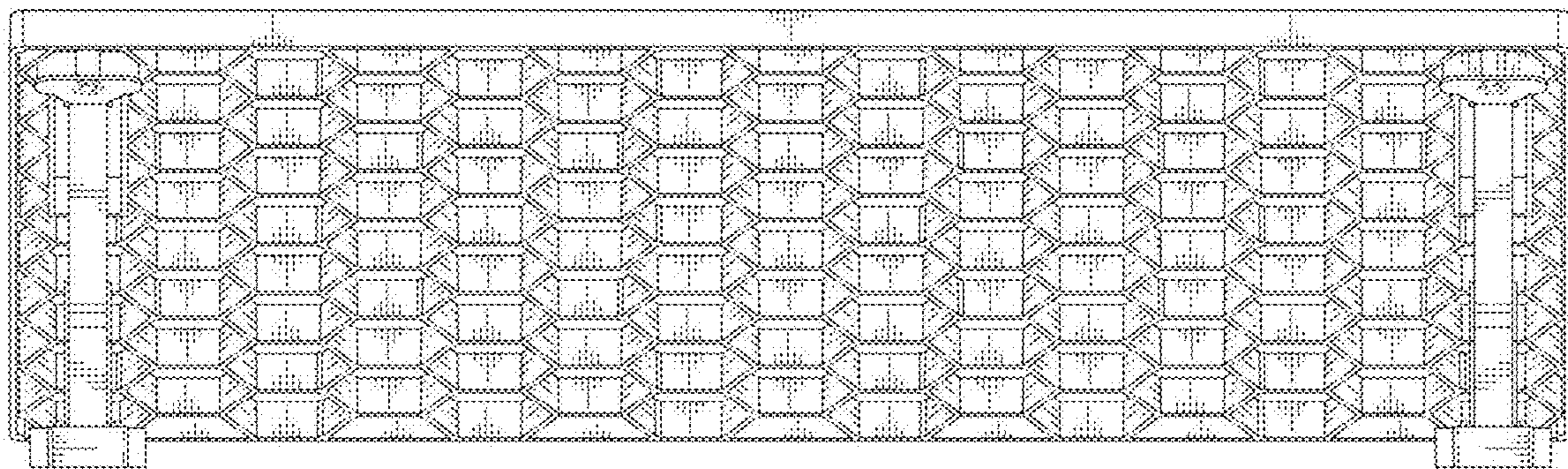
1.1



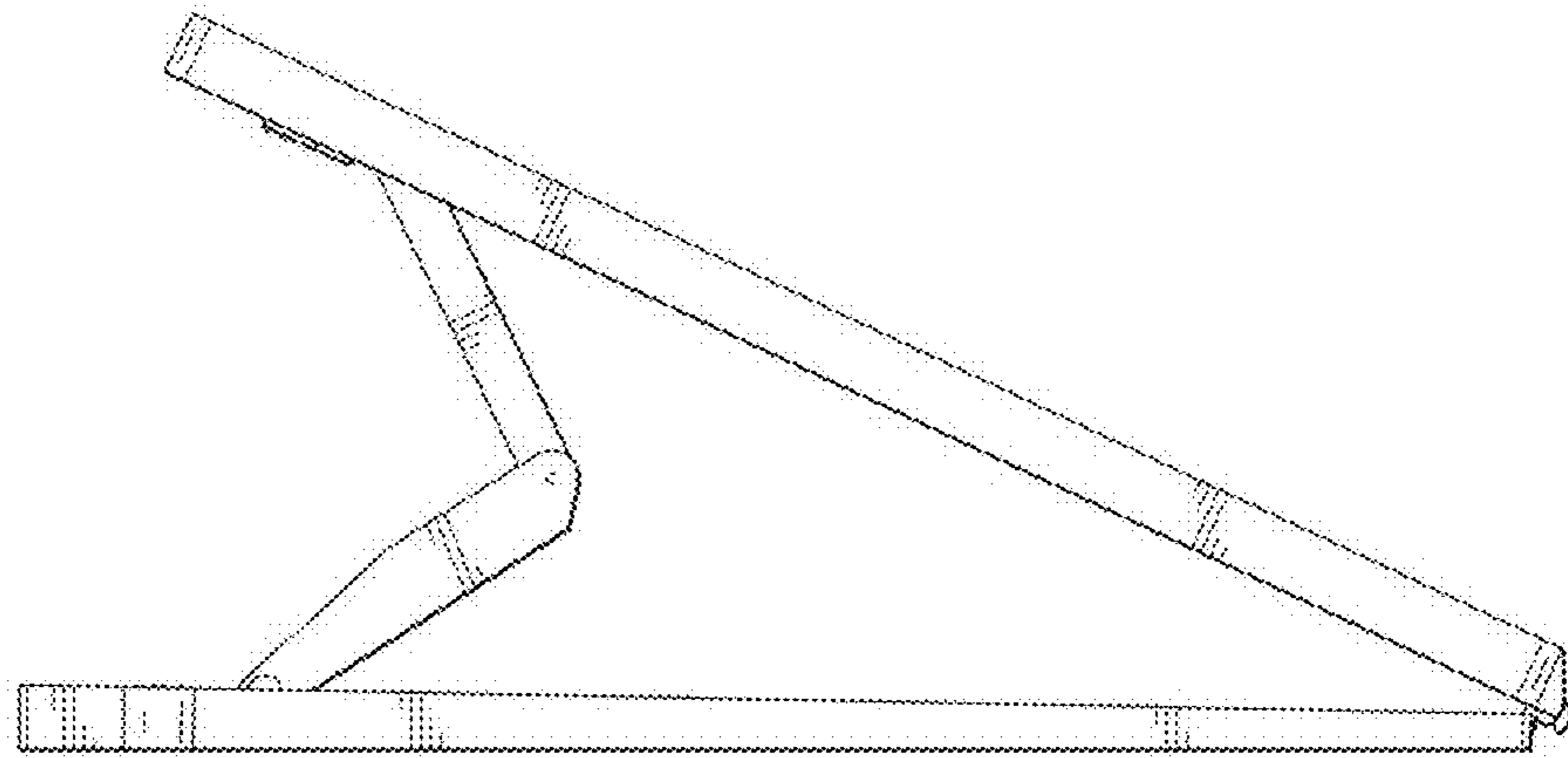
1.2



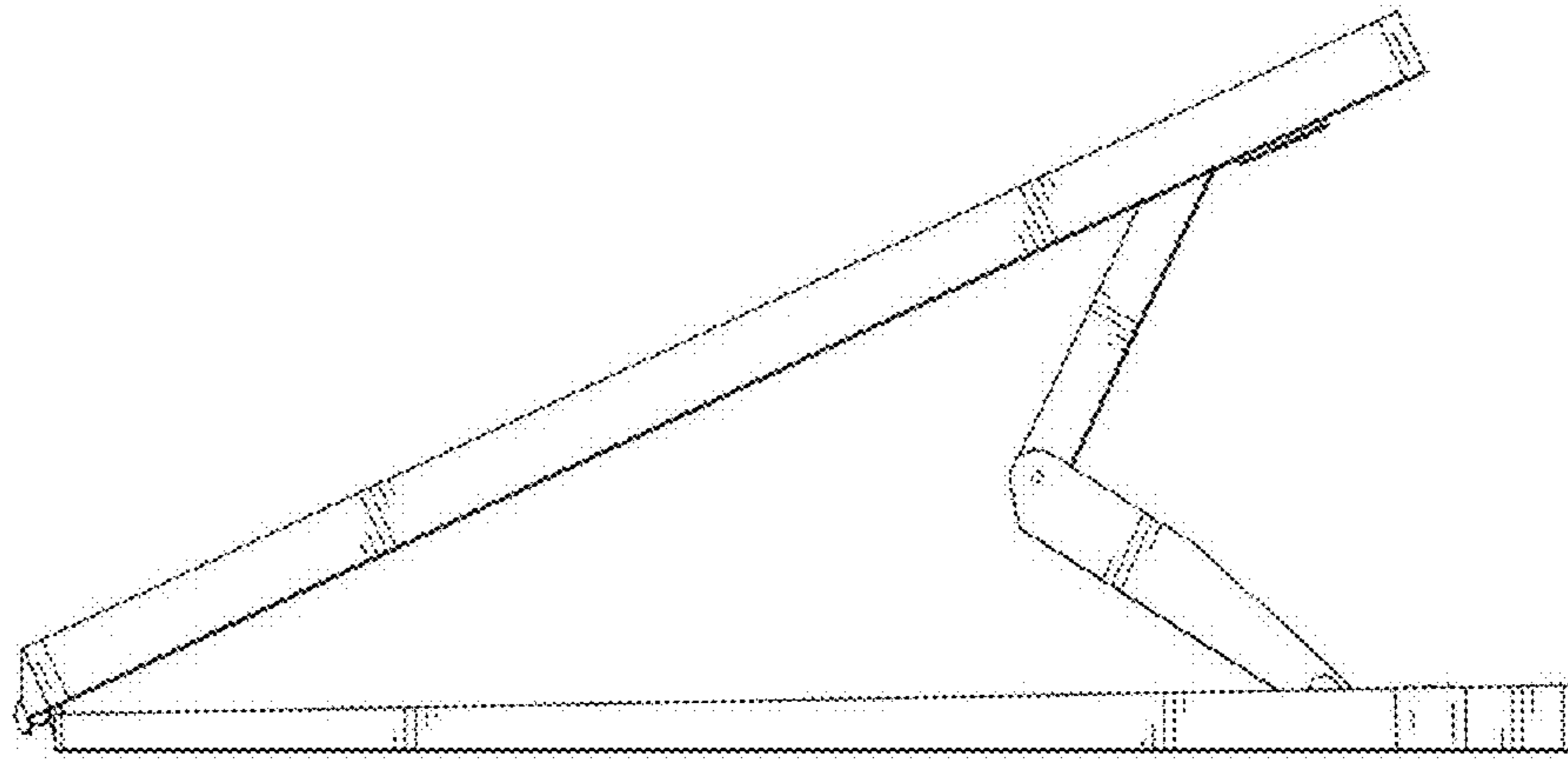
1.3



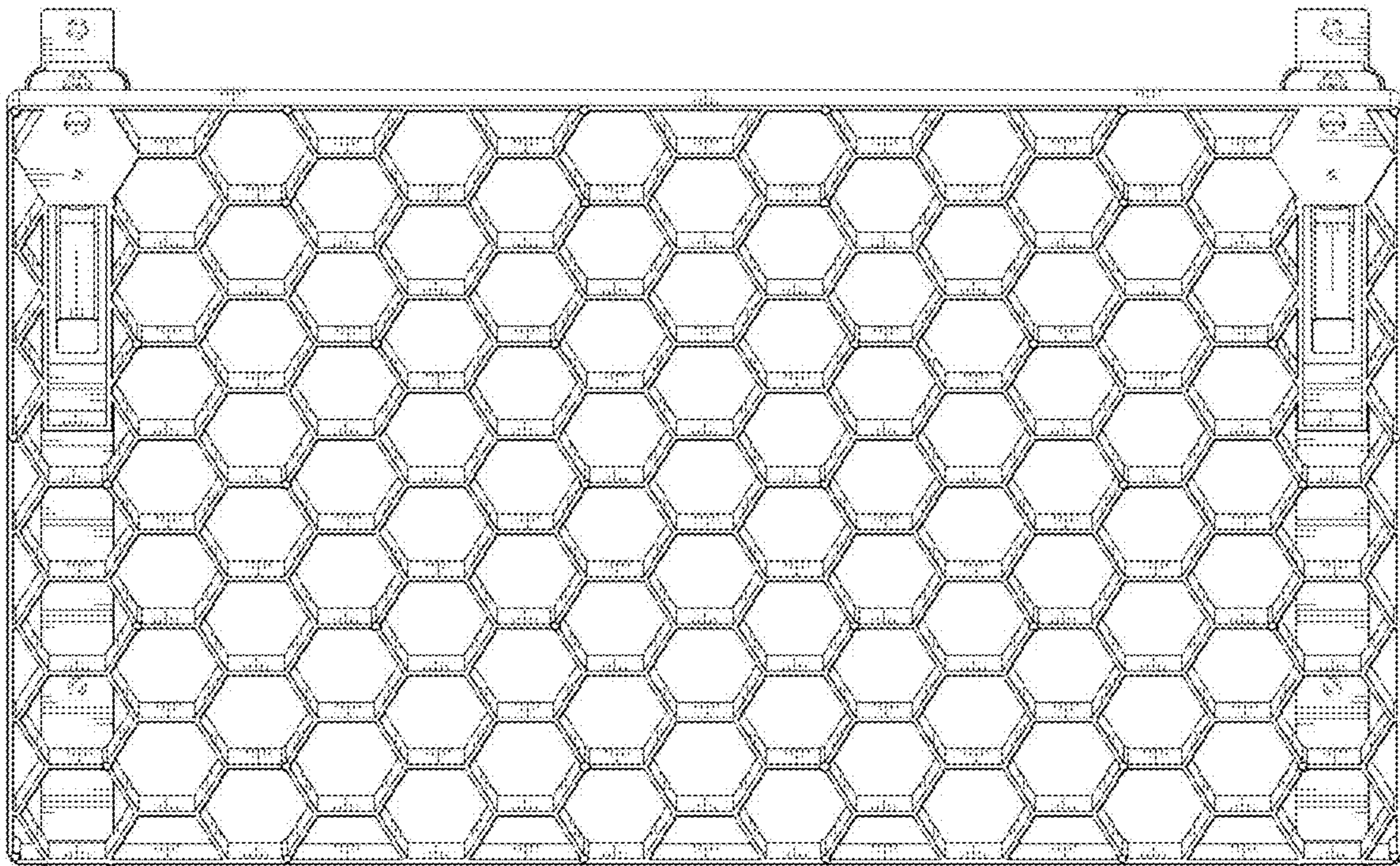
1.4



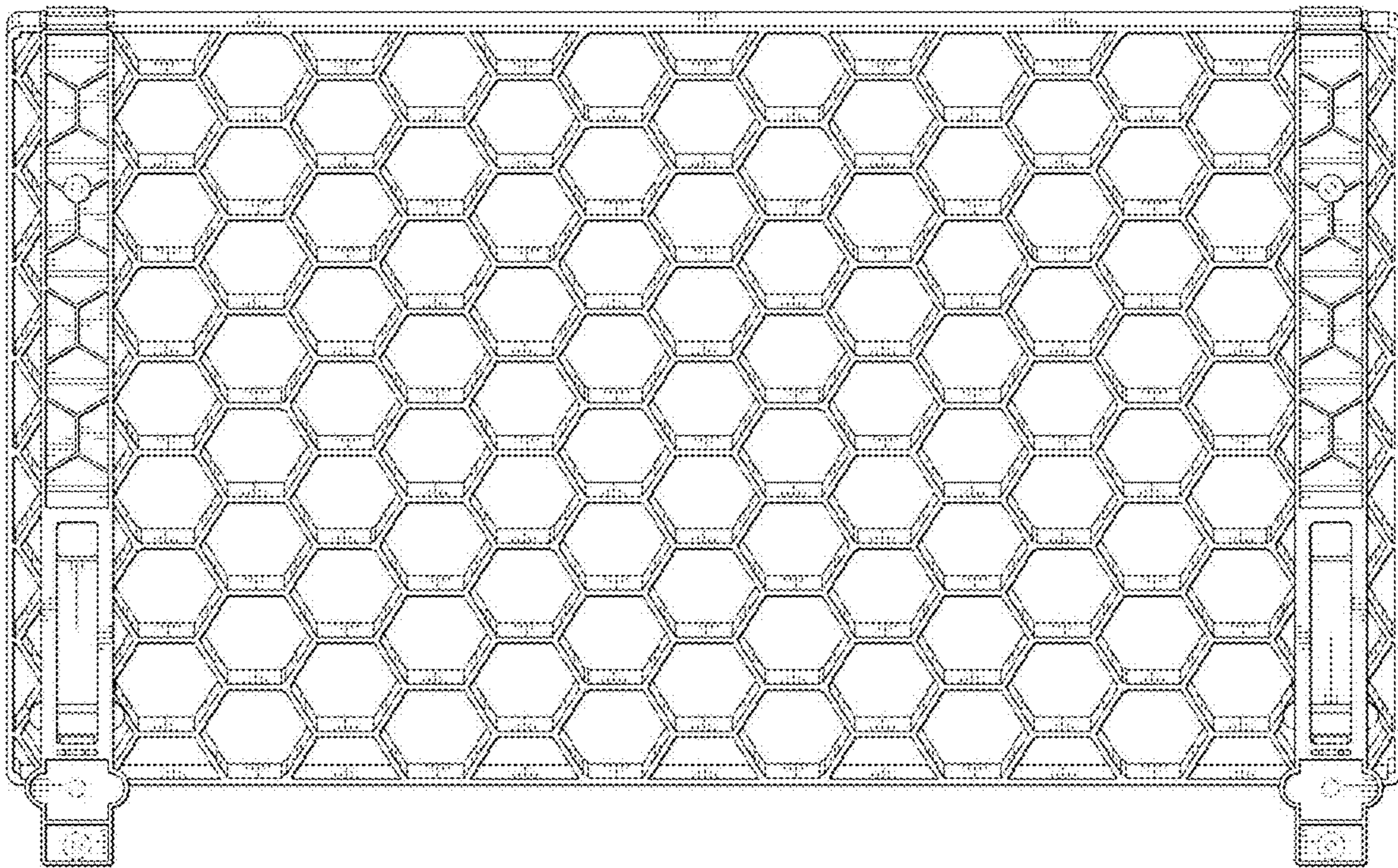
1.5



1.6



1.7





1.8

