



US00D962668S

(12) **United States Design Patent** (10) **Patent No.:** **US D962,668 S**
Rinaldi et al. (45) **Date of Patent:** **** Sep. 6, 2022**

(54) **TETE-A-TETE CHAIR**

D580,668 S * 11/2008 Miyakawa D6/357
D610,820 S * 3/2010 Nigro D6/357
D685,587 S * 7/2013 Tuncel D6/377

(71) Applicant: **SAMUELSON GROUP INC.**,
Paterson, NJ (US)

FOREIGN PATENT DOCUMENTS

(72) Inventors: **Michael Angelo Rinaldi**,
Bloomingdale, NJ (US); **Lawrence**
Mark Chalfin, Wayne, NJ (US)

FR 20100907-004 * 4/2010

OTHER PUBLICATIONS

(73) Assignee: **Samuelson Group Inc.**, Paterson, NJ
(US)

Phorm Tete-a-Tete [online], [site visited Feb. 24, 2022]. Available from internet, URL: <<https://www.samuelsonfurniture.com/product-page/8727-tete-a-tete-seating>> (Year: 2022).
Samuelson Furniture on Instagram [online], [site visited Feb. 24, 2022]. Available from internet, URL: <<https://www.instagram.com/p/CXCCwh7AF4s/>> (Year: 2021).*

(**) Term: **15 Years**

* cited by examiner

(21) Appl. No.: **29/730,749**

(22) Filed: **Apr. 8, 2020**

(51) **LOC (13) Cl.** **06-01**

(52) **U.S. Cl.**
USPC **D6/381**

(58) **Field of Classification Search**
USPC D6/334-338, 340-343, 349-353, 355,
D6/358, 360, 364-365, 367, 371-373,
D6/381, 596, 597, 601, 604, 691-691.9,
D6/692-692.6, 708.2, 708, 716-716.1
CPC A47C 3/18; A47C 11/00; A47C 16/00;
A47C 16/02

Primary Examiner — Cynthia Ramirez
Assistant Examiner — Xavier Marti-Santos
(74) *Attorney, Agent, or Firm* — Riverside Law LLP

See application file for complete search history.

(57) **CLAIM**

The ornamental design for a tete-a-tete chair, substantially as shown and described.

(56) **References Cited**

U.S. PATENT DOCUMENTS

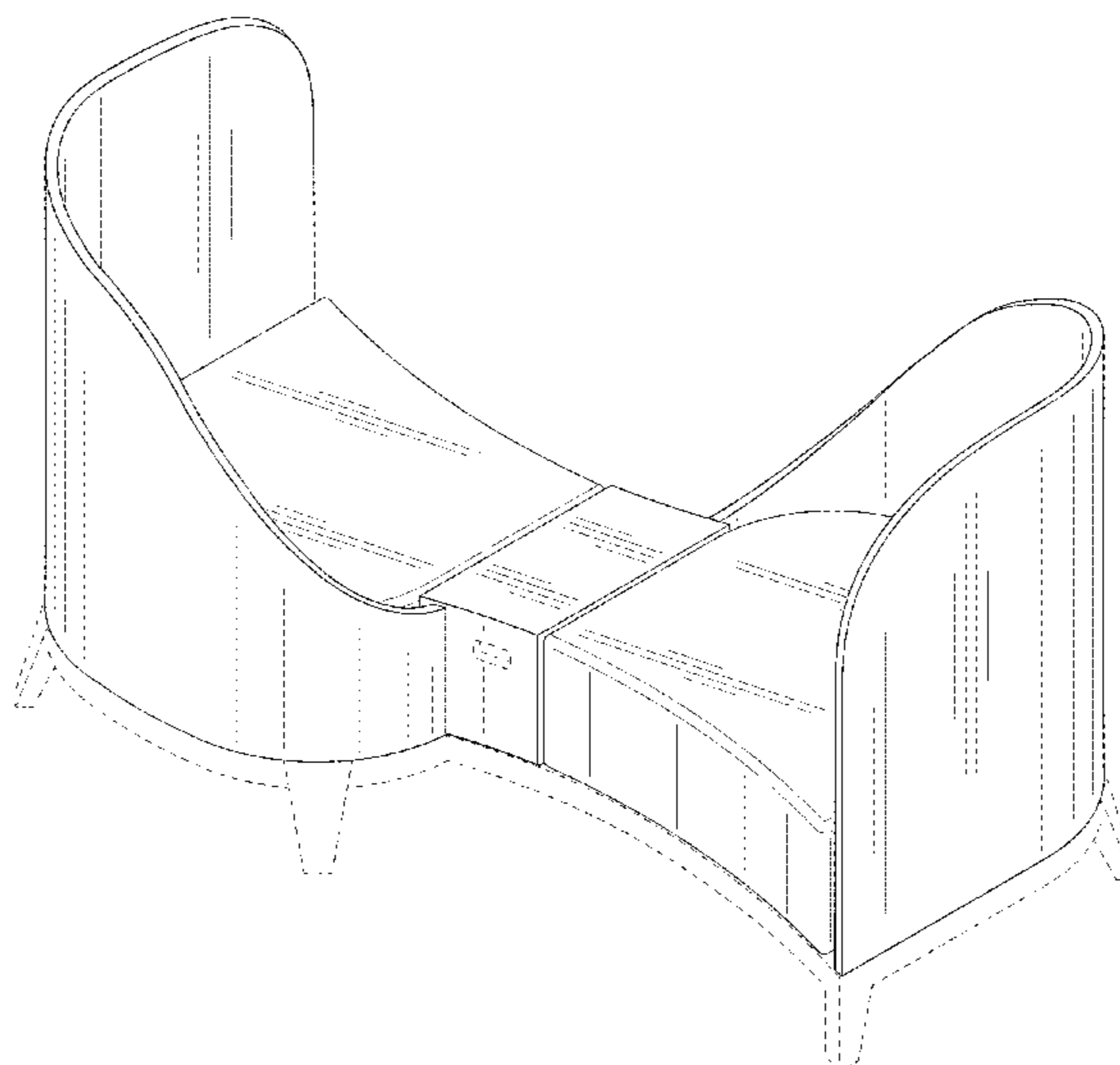
594,296 A * 11/1897 Stott A47C 11/00
297/411.27
D174,900 S * 6/1955 Flexer D6/357
D249,988 S * 10/1978 Sprunger D6/357
D292,248 S * 10/1987 Mackin D6/381
D342,388 S * 12/1993 Stender D6/381
D418,683 S * 1/2000 Vu D6/357
D437,496 S * 2/2001 Vu D6/377
D479,920 S * 9/2003 Ware D6/344
D525,441 S * 7/2006 Pomeroy D6/336
D541,076 S * 4/2007 Mathieu D6/381

DESCRIPTION

FIG. 1 is a front perspective view of a tete-a-tete chair in accordance with the present invention; FIG. 2 is a rear perspective view thereof; FIG. 3 is a front view thereof; FIG. 4 is a rear view thereof; FIG. 5 is a left side view thereof; FIG. 6 is a right side view thereof; FIG. 7 is a top view thereof; and, FIG. 8 is a bottom view thereof.

The broken lines in the figures are for the purpose of illustrating portions of the tete-a-tete chair, which form no part of the claimed design. Any shading or hatching are not features of the design and are merely utilized to illustrate surface contours of the design in the drawings.

1 Claim, 8 Drawing Sheets



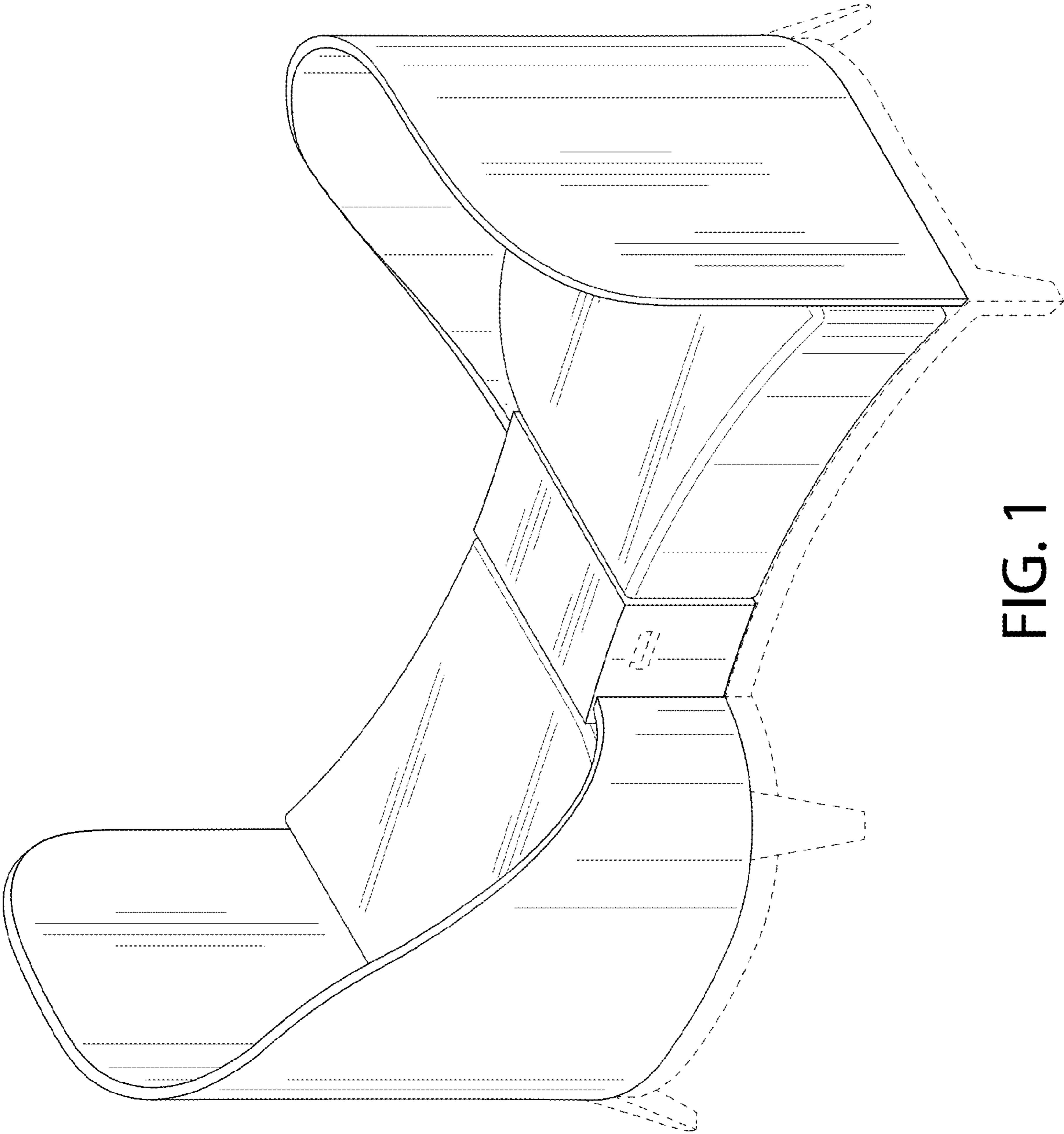


FIG. 1

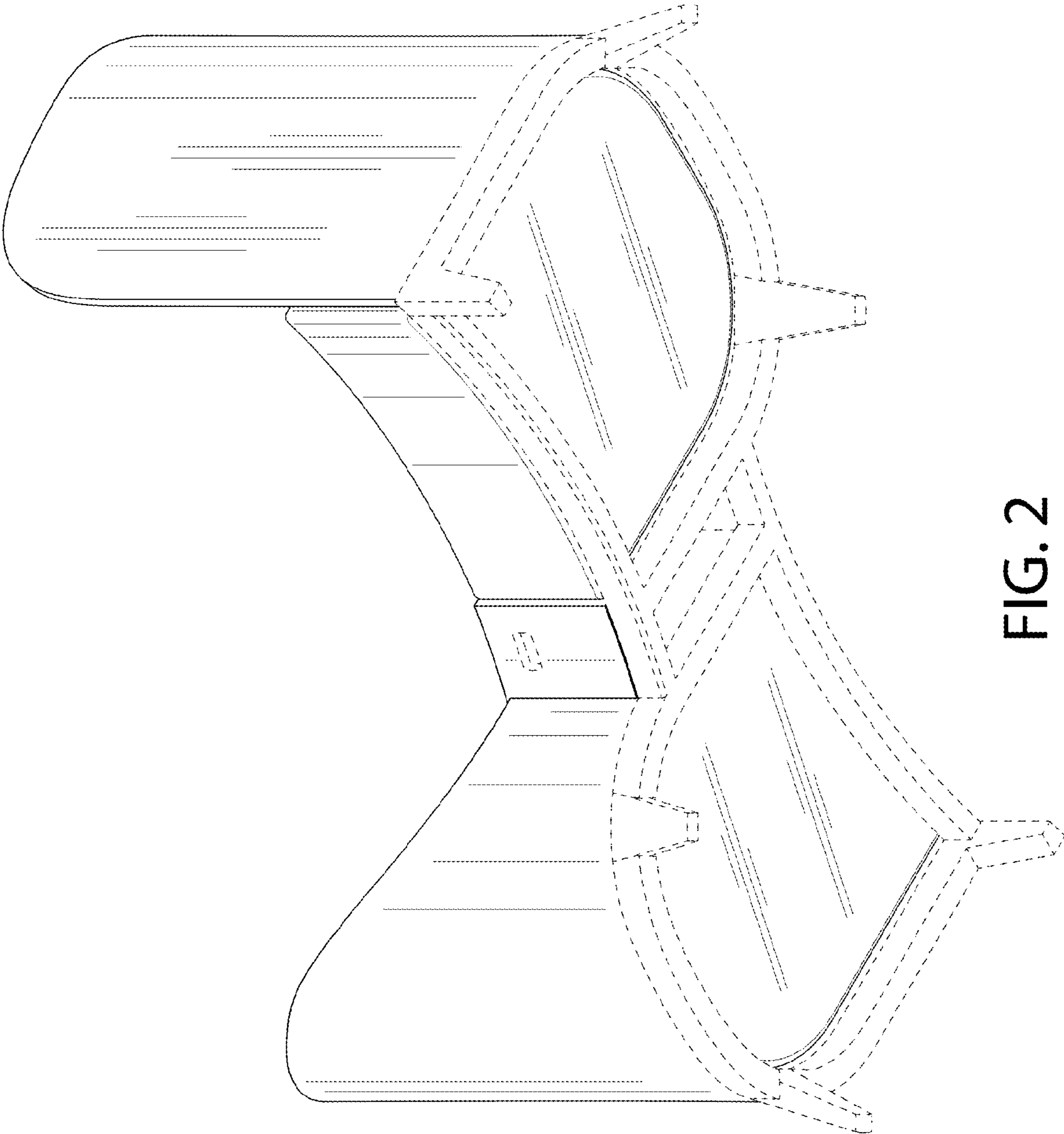


FIG. 2

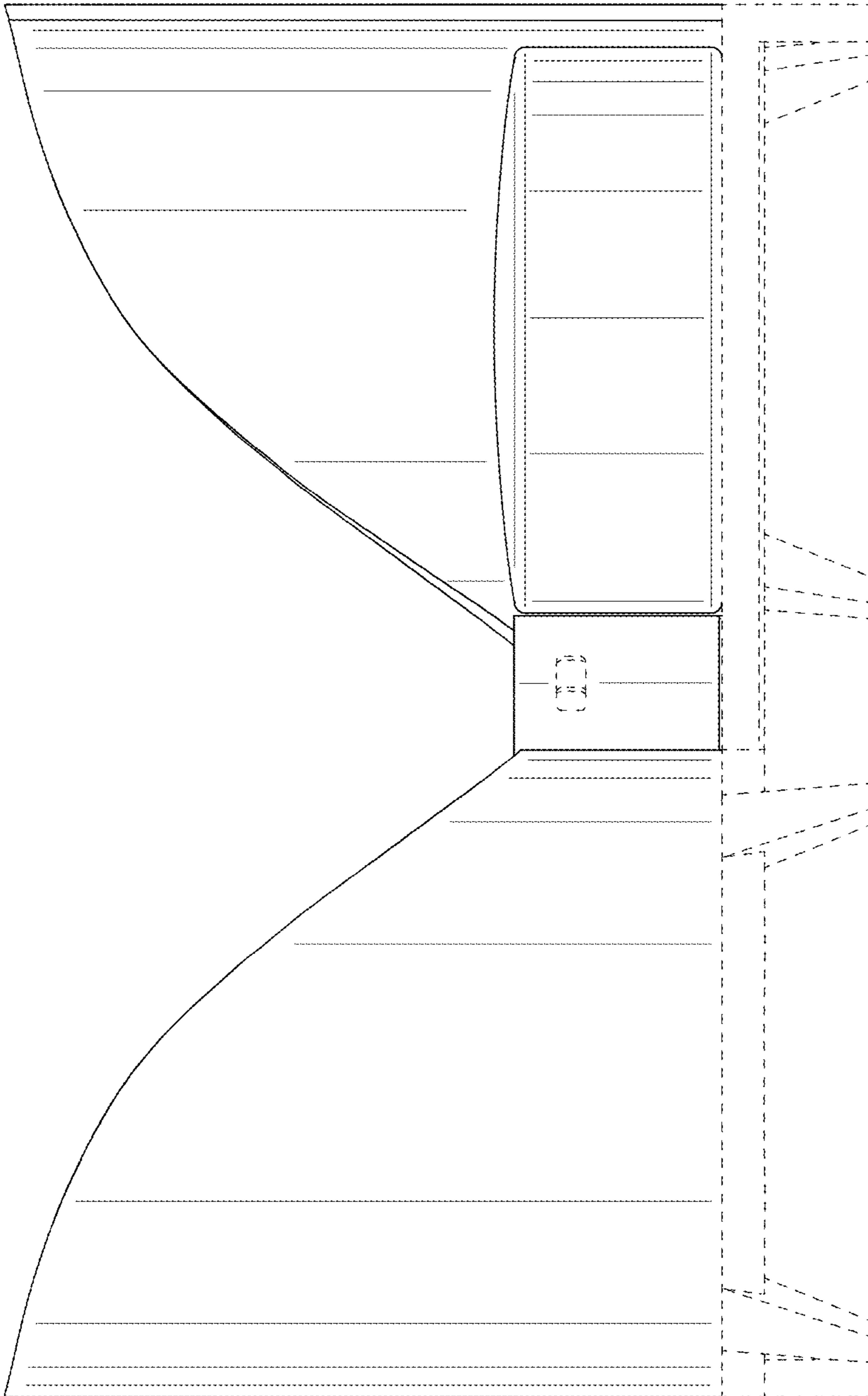


FIG. 3

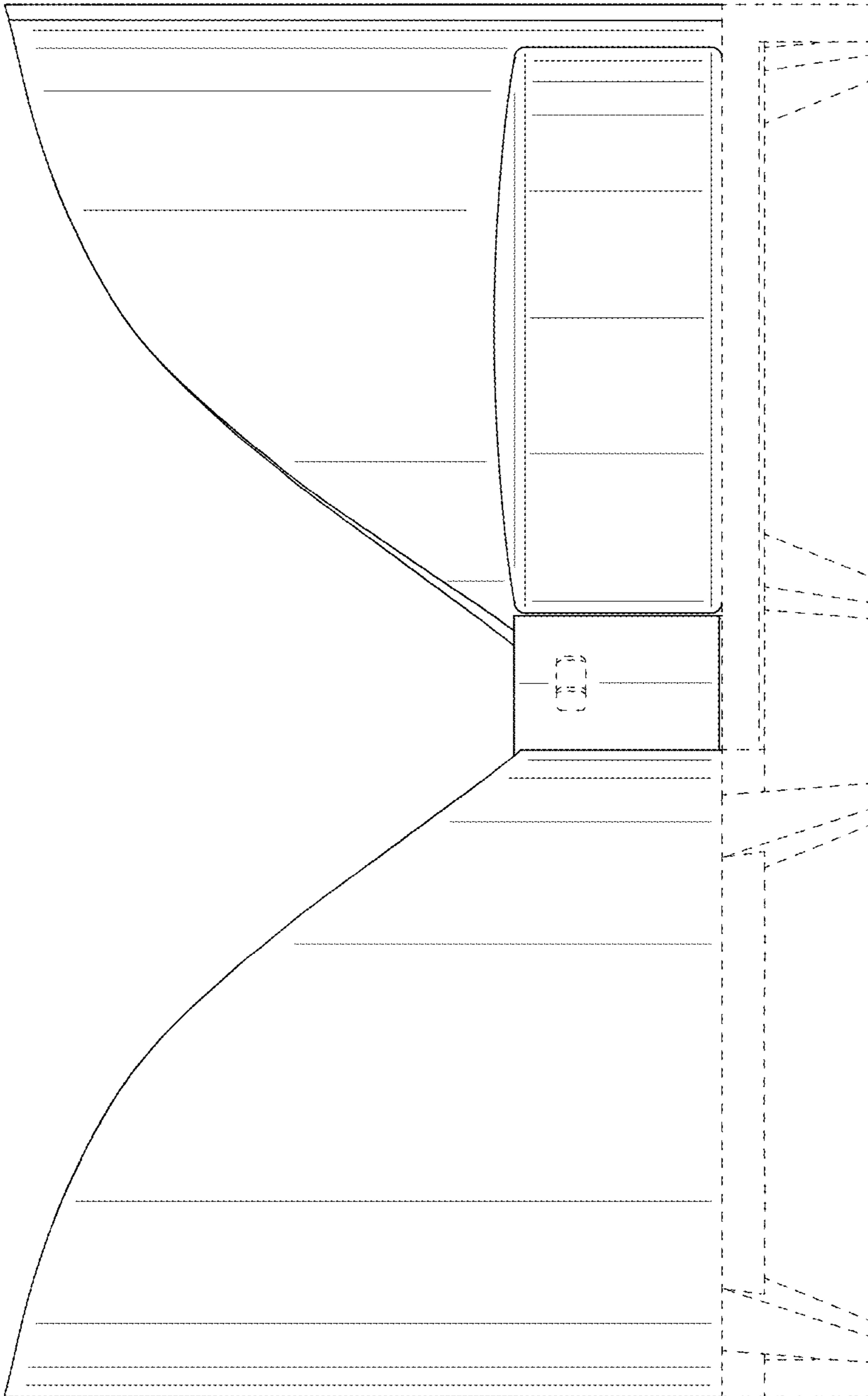


FIG. 4

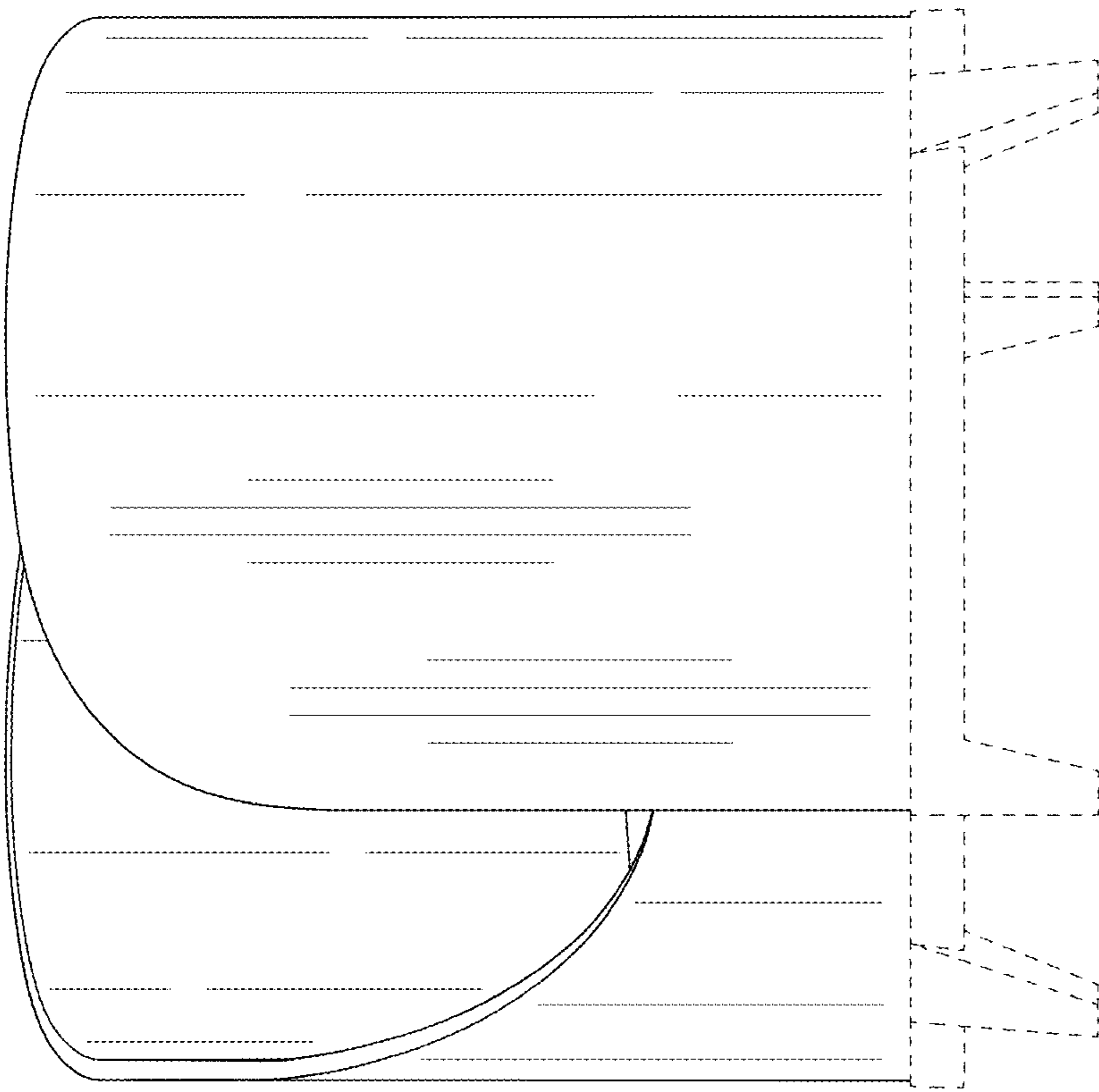


FIG. 5

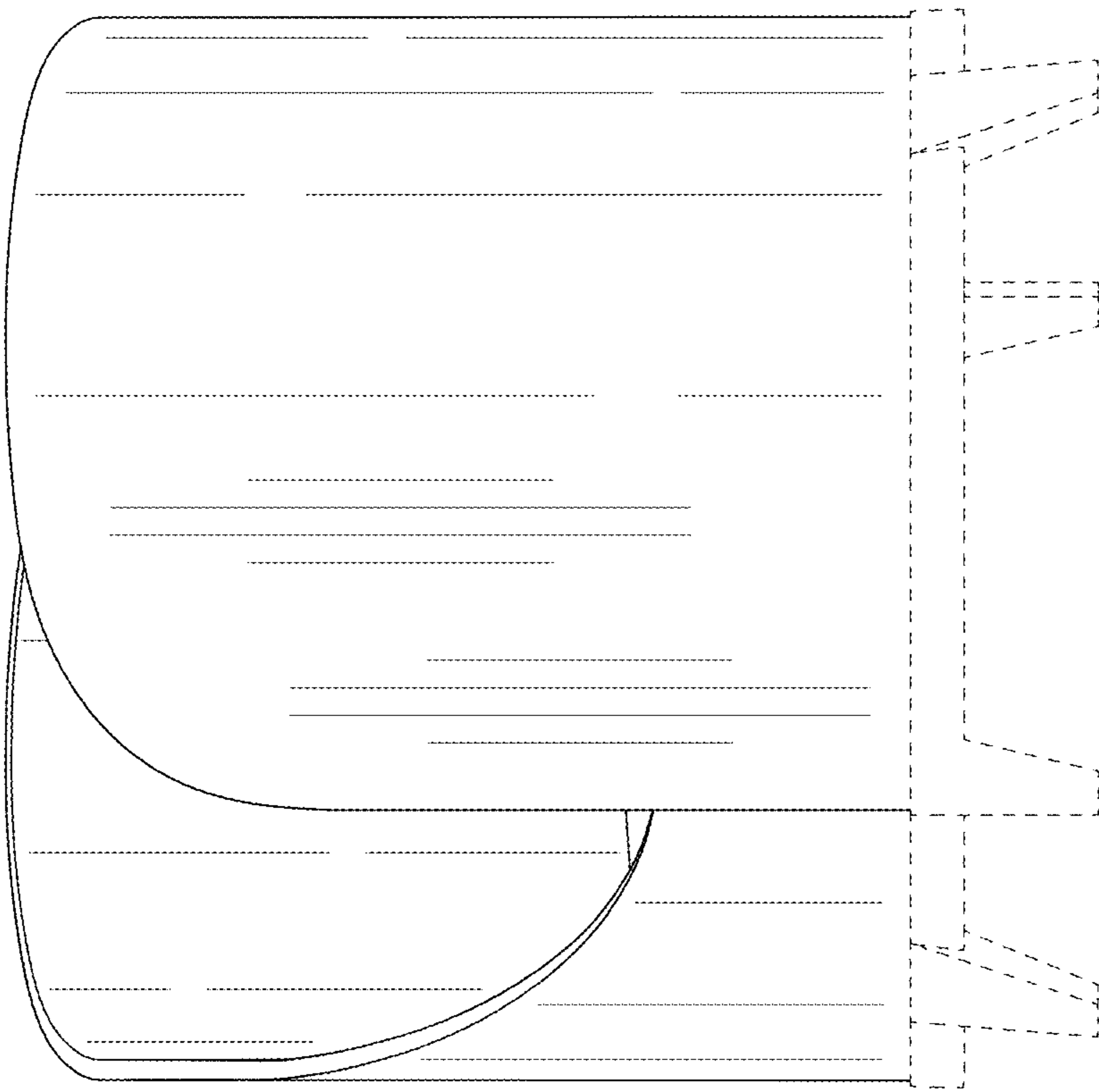


FIG. 6

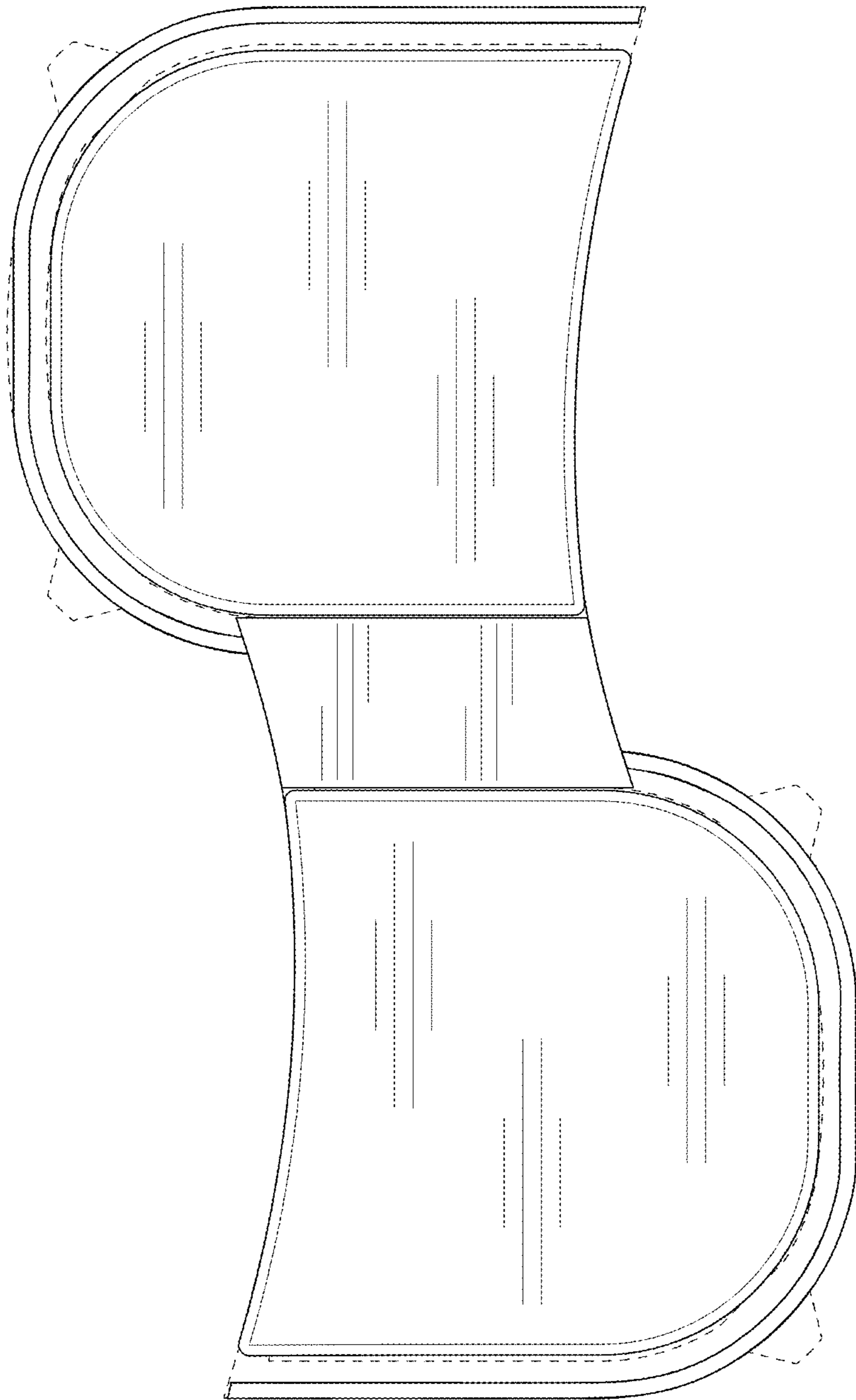


FIG. 7

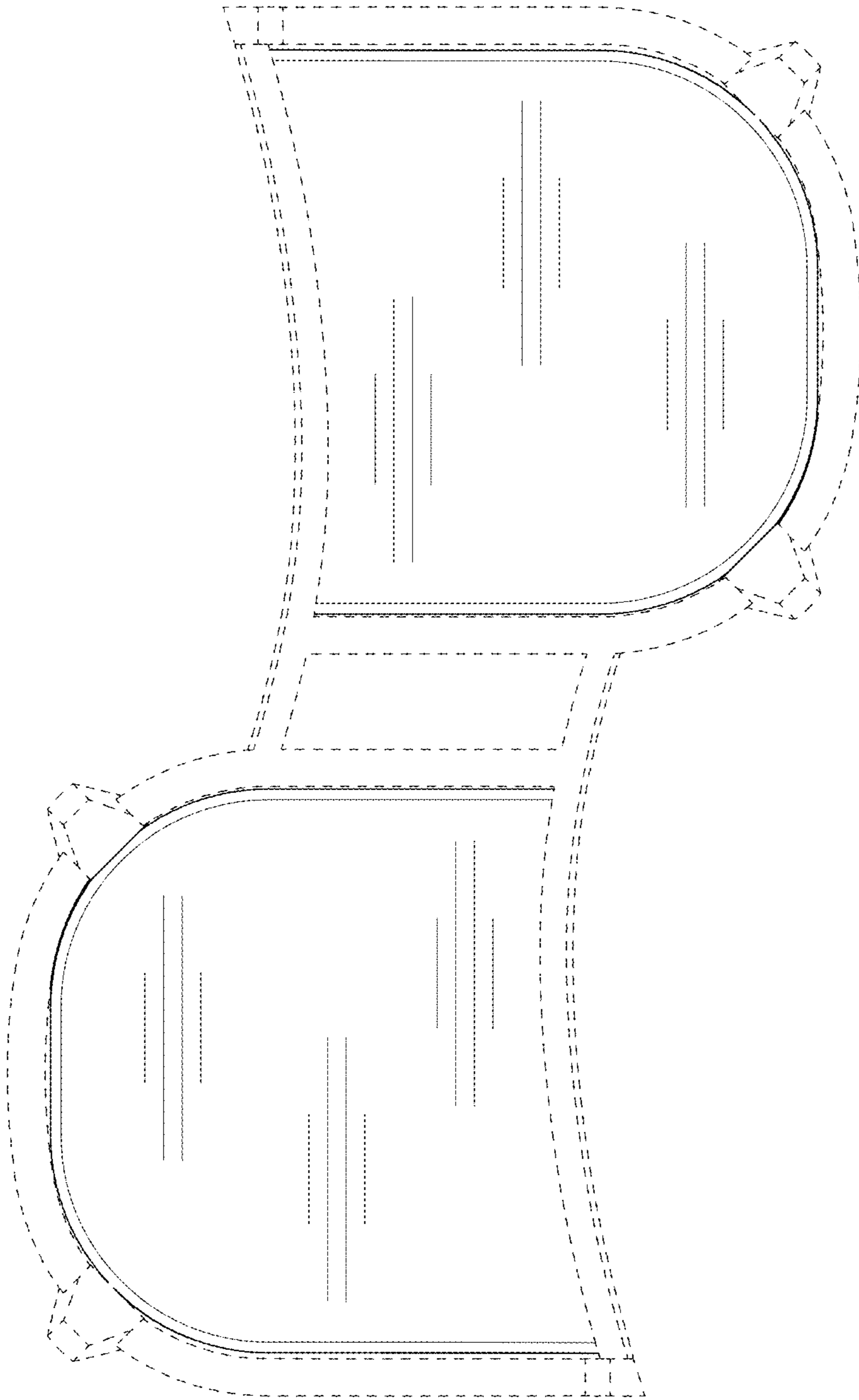


FIG. 8