



US00D962666S

(12) **United States Design Patent** (10) **Patent No.:** **US D962,666 S**
Gufler (45) **Date of Patent:** **** Sep. 6, 2022**

(54) **CHAIR**

- (71) Applicant: **TON a.s.**, Bystrice pod Hostynem (CZ)
- (72) Inventor: **Alexander Gufler**, Vienna (AT)
- (73) Assignee: **TON a.s.**, Bystrice pod Hostynem (CZ)
- (**) Term: **15 Years**
- (21) Appl. No.: **29/748,371**

(22) Filed: **Aug. 28, 2020**

(30) **Foreign Application Priority Data**

Mar. 2, 2020 (EM) 007724786-0001
 Mar. 2, 2020 (EM) 007724786-0002

(51) **LOC (13) Cl.** **06-02**

(52) **U.S. Cl.**
 USPC **D6/375**

(58) **Field of Classification Search**
 USPC D6/343, 344, 369, 370, 371, 372, 374,
 D6/375, 376, 377, 378, 380, 716-716.5
 CPC A47C 4/02; A47C 4/03; A47C 3/12; A47C
 5/12; A47C 7/16; A47C 7/18; A47C 7/34
 See application file for complete search history.

(56) **References Cited**

U.S. PATENT DOCUMENTS

D192,800 S *	5/1962	Munson	D6/374
D349,196 S *	8/1994	Lohmeyer	D6/379
D376,487 S *	12/1996	Cretcher	D6/374
D385,119 S *	10/1997	Chipman	D6/370
D423,807 S *	5/2000	Bartlmae	D6/379
D427,797 S *	7/2000	Tseng	D6/379
D454,708 S *	3/2002	Kita	D6/375
D709,710 S *	7/2014	Ye	D6/375
D726,434 S *	4/2015	Ye	D6/379
D820,019 S *	6/2018	Velez	D6/375
D898,399 S *	10/2020	James	D6/376

OTHER PUBLICATIONS

Again Dining Chair. Available in instagram.com, published Mar. 3, 2020 Year 2020 [online], Retrieved on Apr. 26, 2022 from URL: https://www.instagram.com/p/B_t6PzNJ8sS/ (Year: 2020).*

Ton Design, Available from facebook.com, published Oct. 9, 2020 Year 2020 [online], Retrieved on Apr. 26, 2022 from URL: <https://www.facebook.com/DesignByTON/photos/3457305564347658> (Year: 2020).*

* cited by examiner

Primary Examiner — Vy N Koenig
Assistant Examiner — Michelle M Reeves
 (74) *Attorney, Agent, or Firm* — Fross Zelnick Lehrman & Zissu, P.C.; Charles T. J. Weigell, Esq.

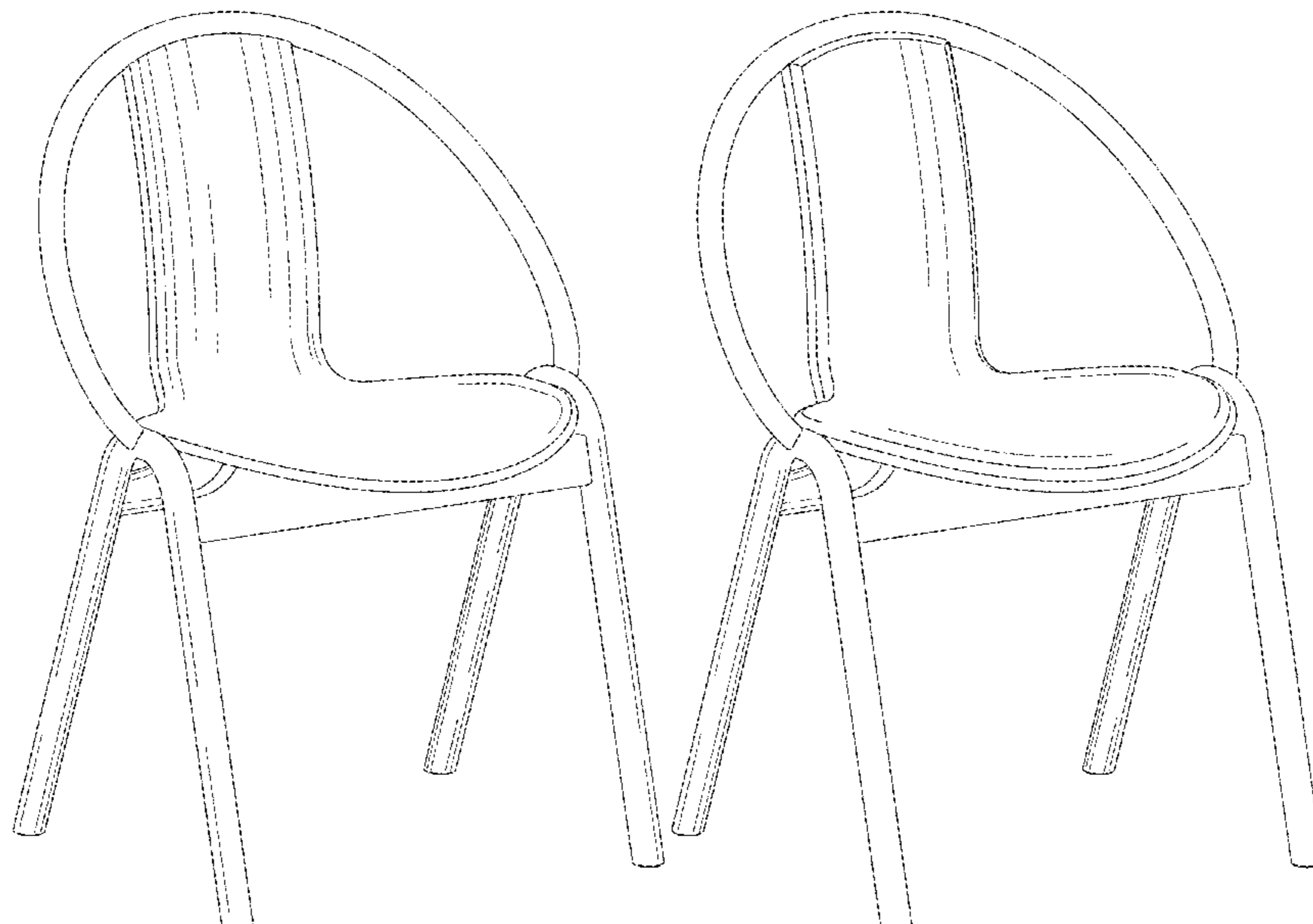
(57) **CLAIM**

The ornamental design for a chair, as shown and described.

DESCRIPTION

FIG. 1 is a front perspective view of a chair showing my new design;
 FIG. 2 is a right side view thereof, with the left side view being a mirror image;
 FIG. 3 is a back view thereof;
 FIG. 4 is a front view thereof;
 FIG. 5 is a top view thereof;
 FIG. 6 is a bottom view thereof;
 FIG. 7 is a front perspective view of an alternative embodiment of a chair showing my new design;
 FIG. 8 is a right side view thereof, with the left side view being a mirror image;
 FIG. 9 is a back view thereof;
 FIG. 10 is a front view thereof;
 FIG. 11 is a top view thereof; and,
 FIG. 12 is a bottom view thereof.
 In the drawings, the broken lines represent portions of the chair which form no part of the claimed design.

1 Claim, 12 Drawing Sheets



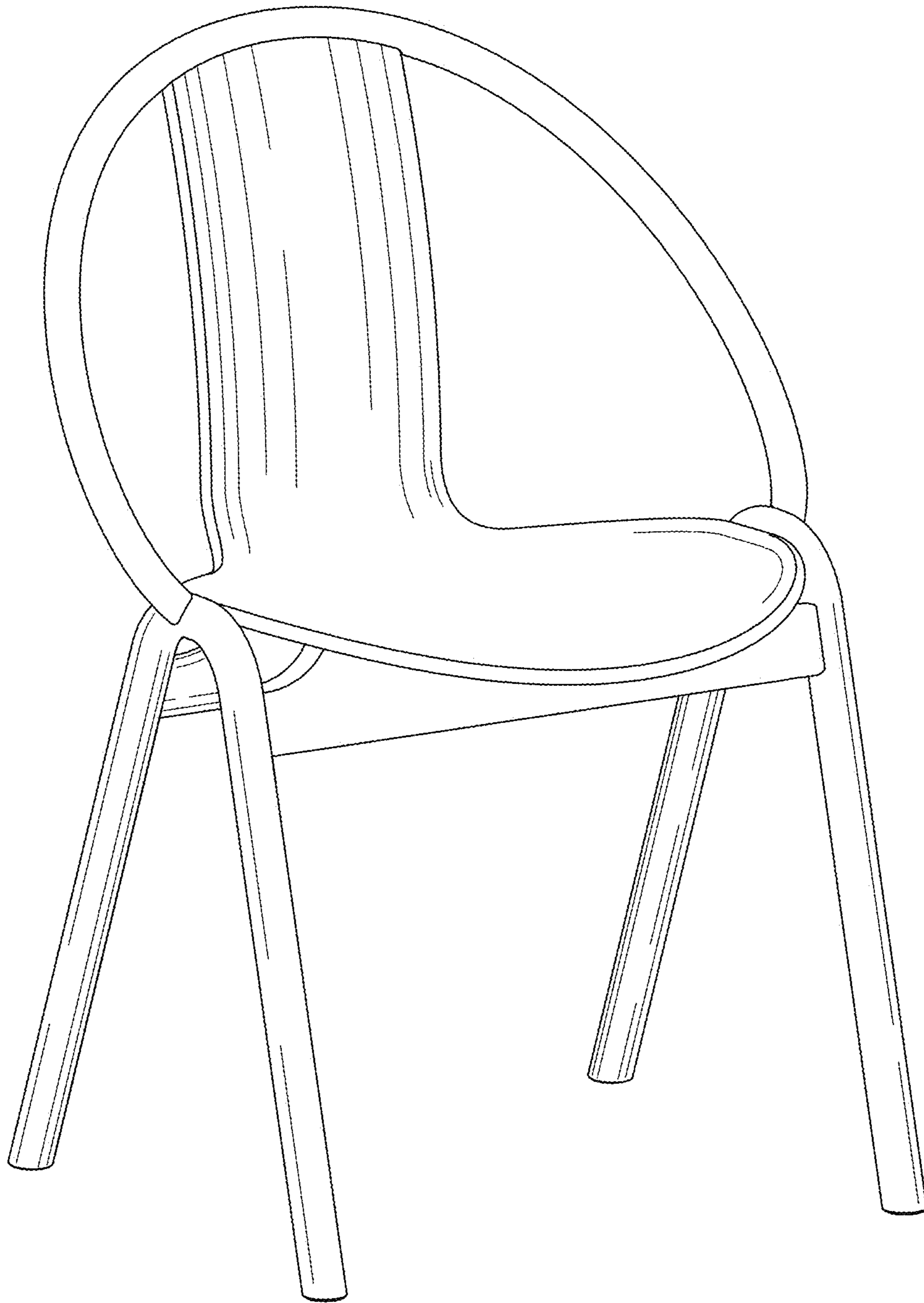


FIG. 1

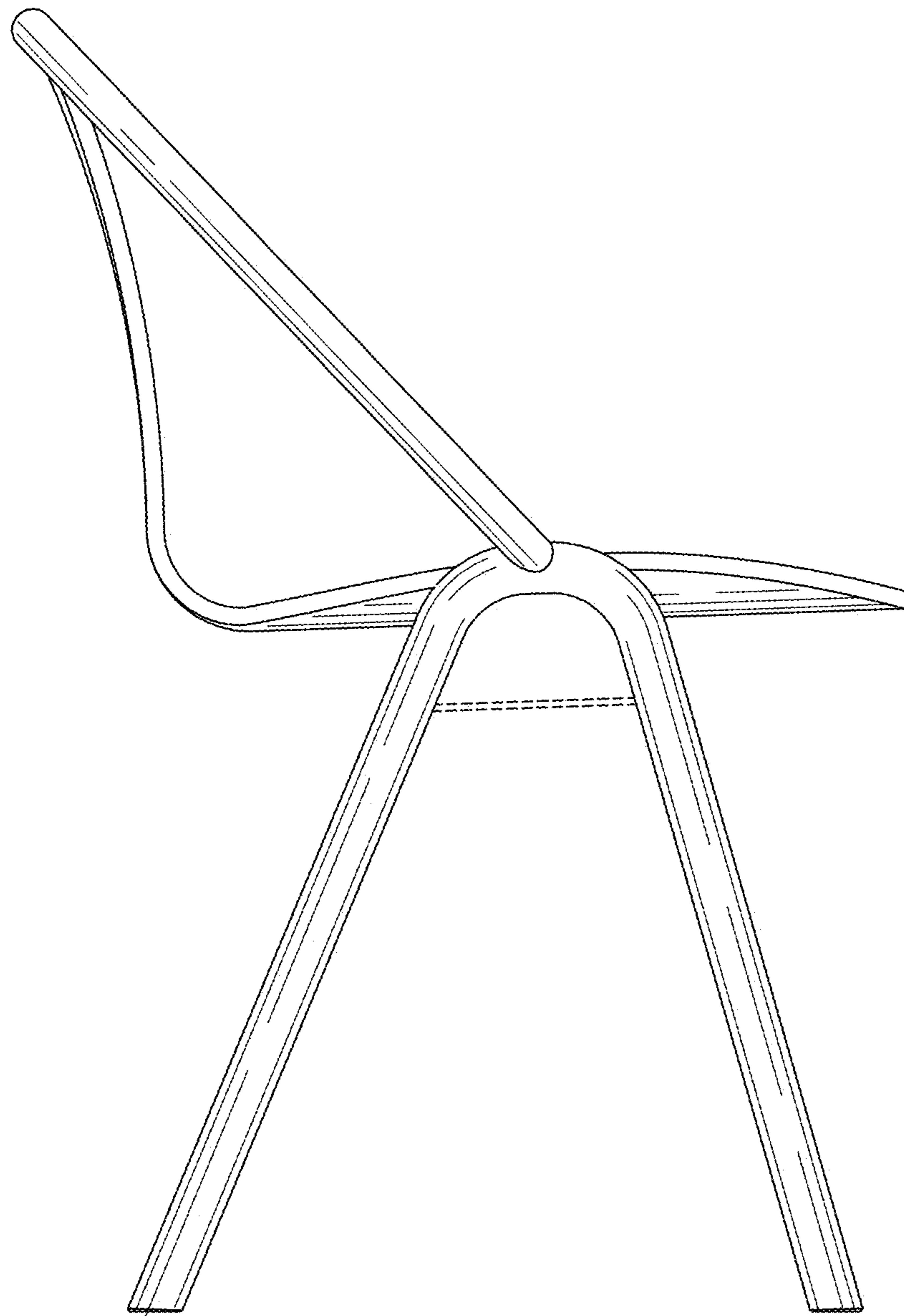


FIG. 2

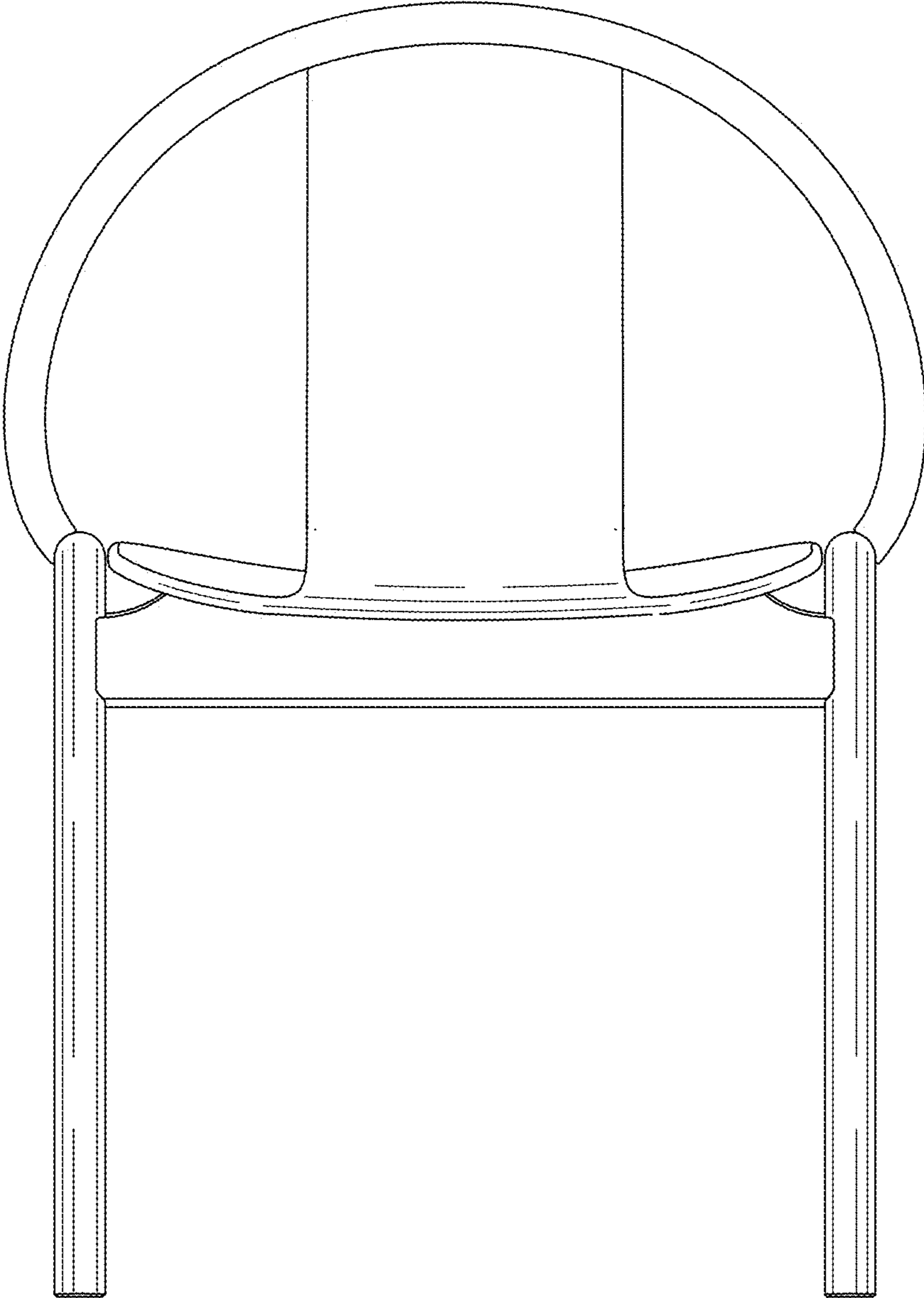


FIG. 3

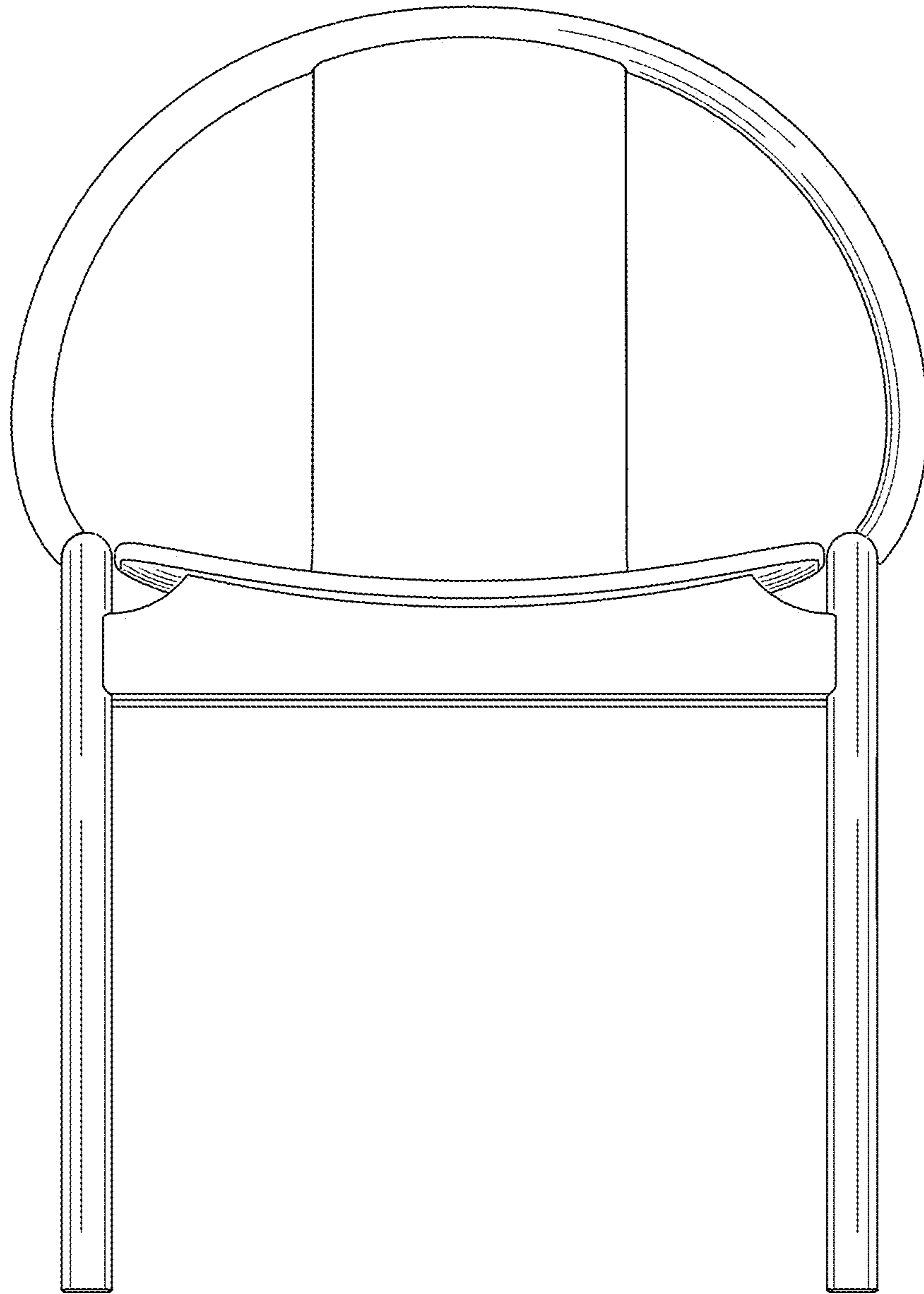


FIG. 4

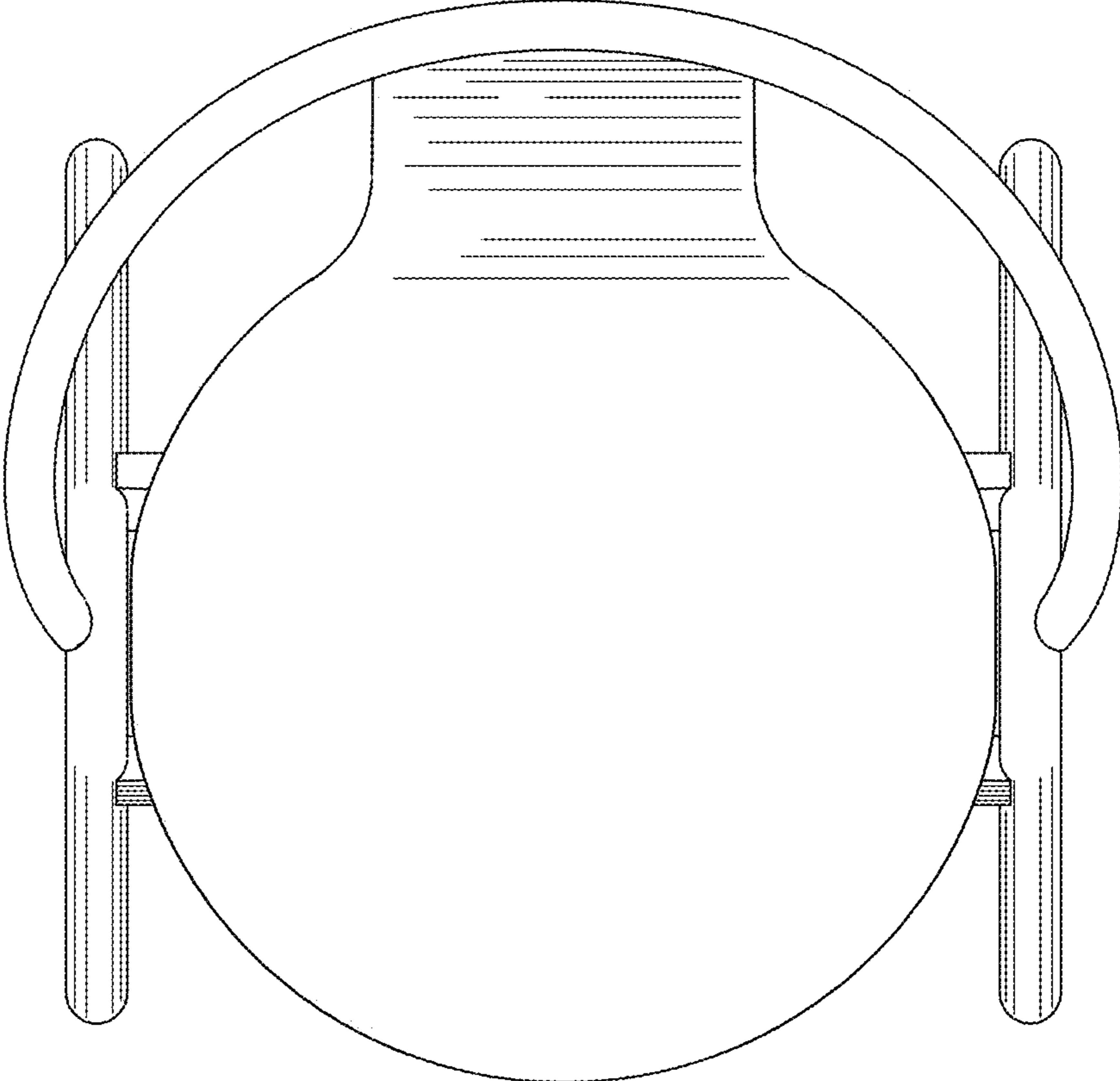


FIG. 5

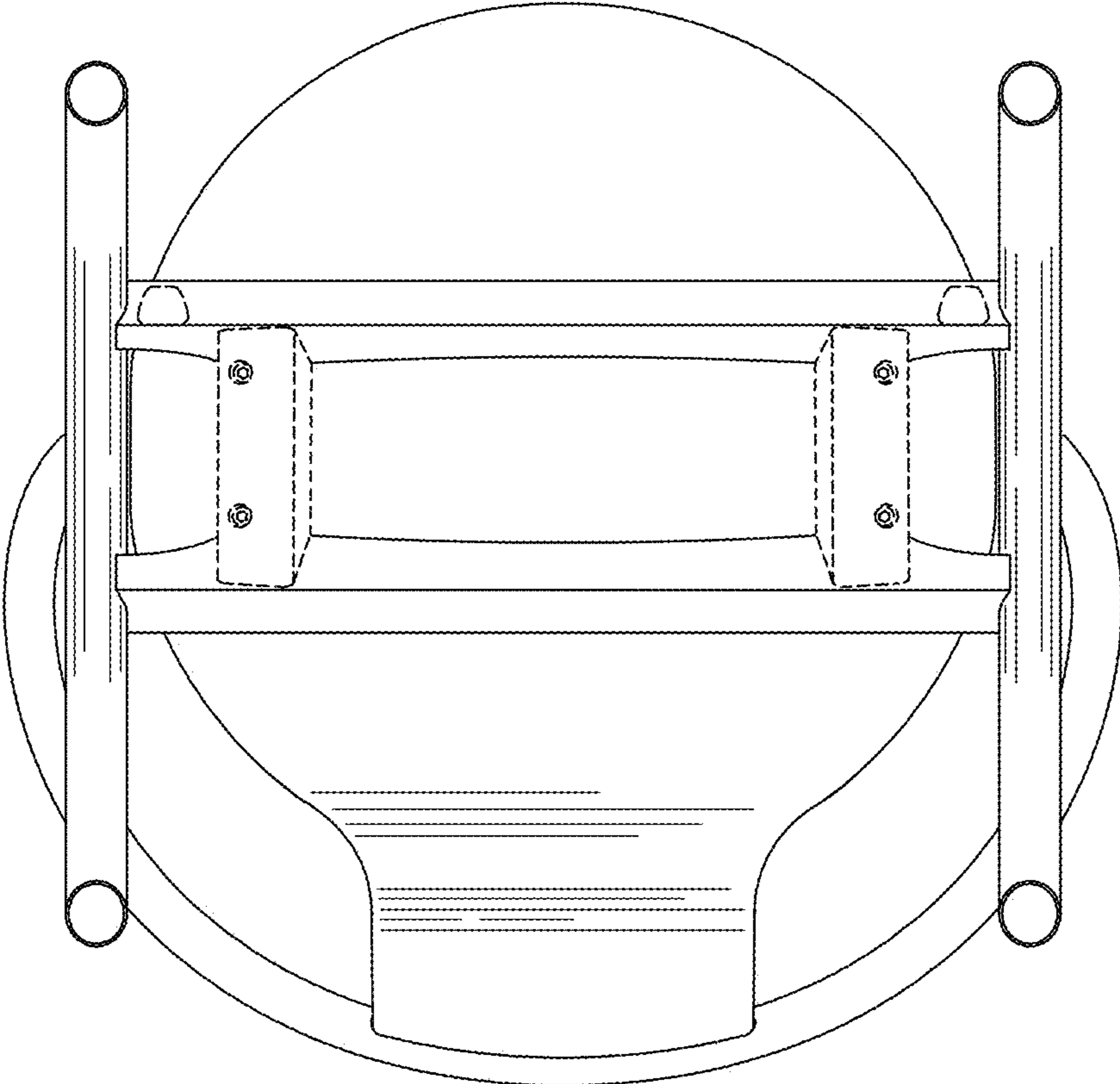


FIG. 6

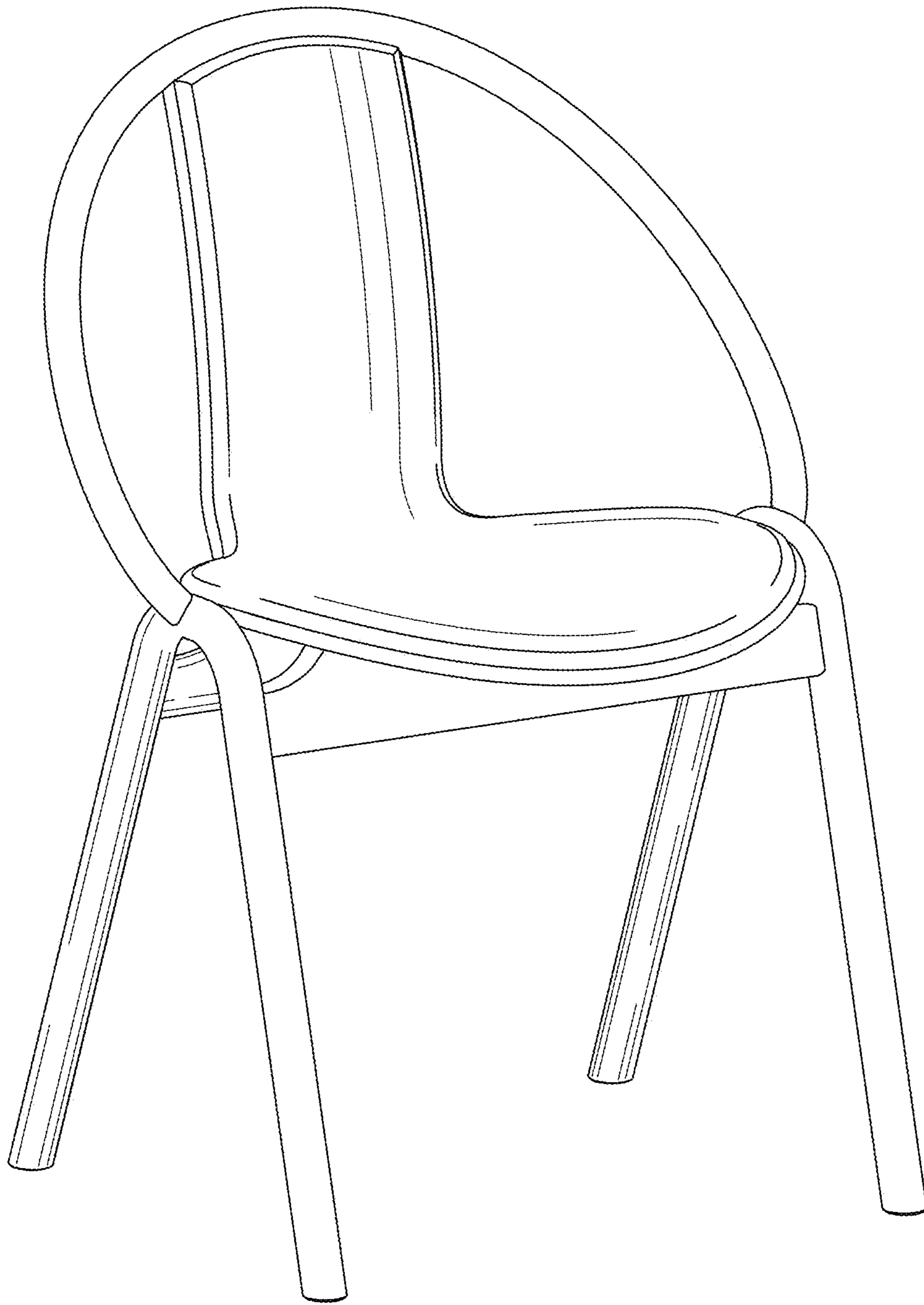


FIG. 7

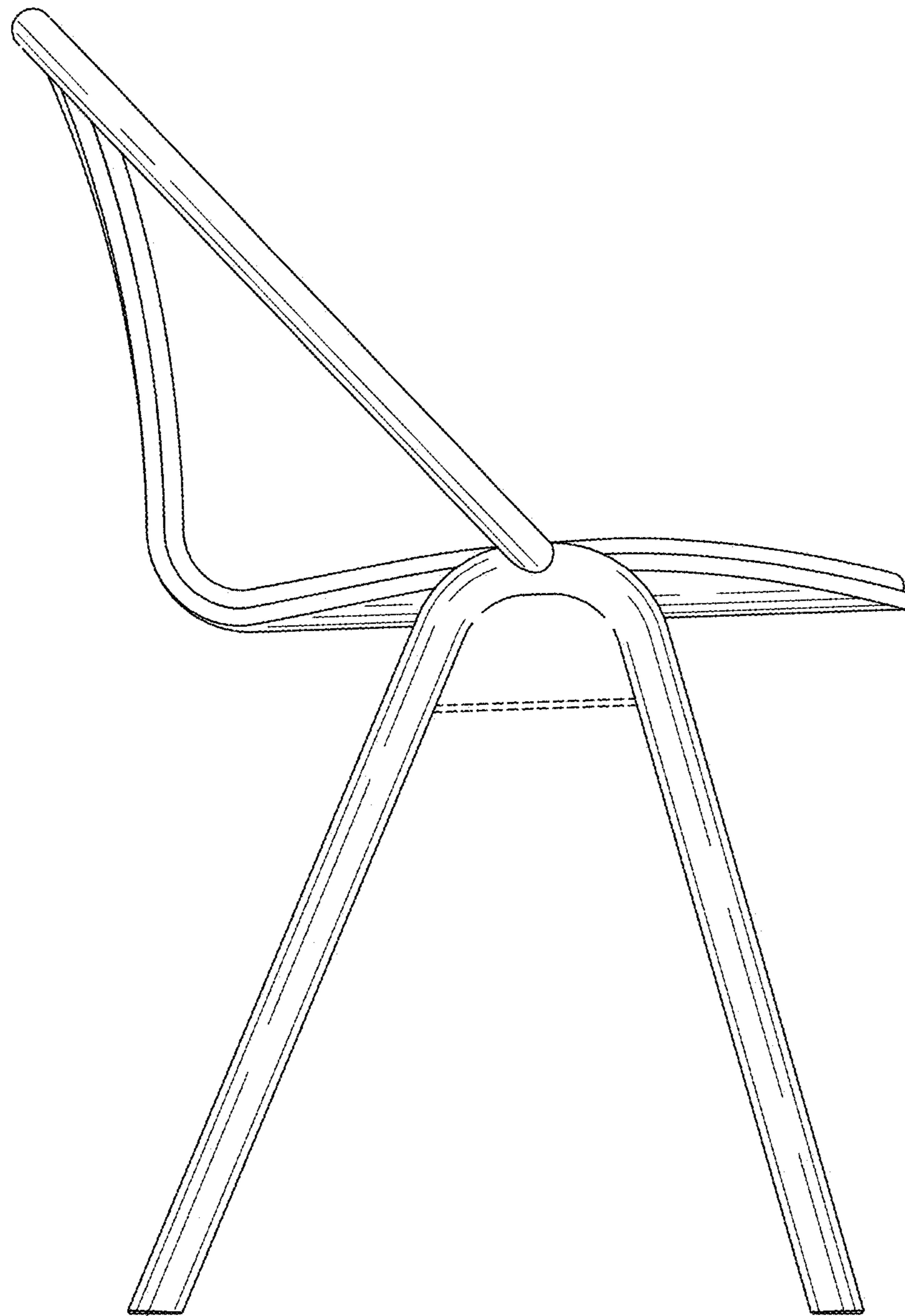


FIG. 8

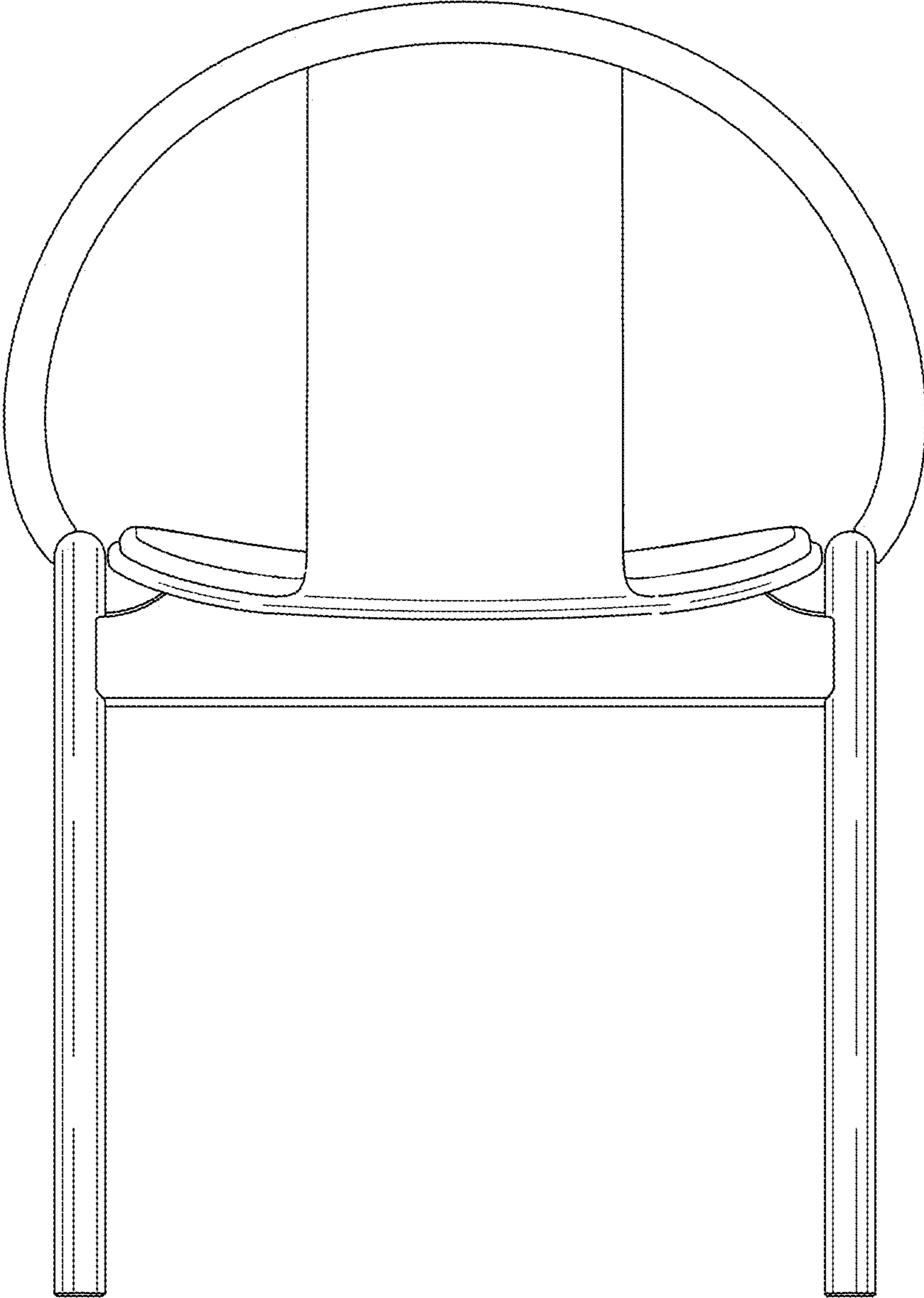


FIG. 9

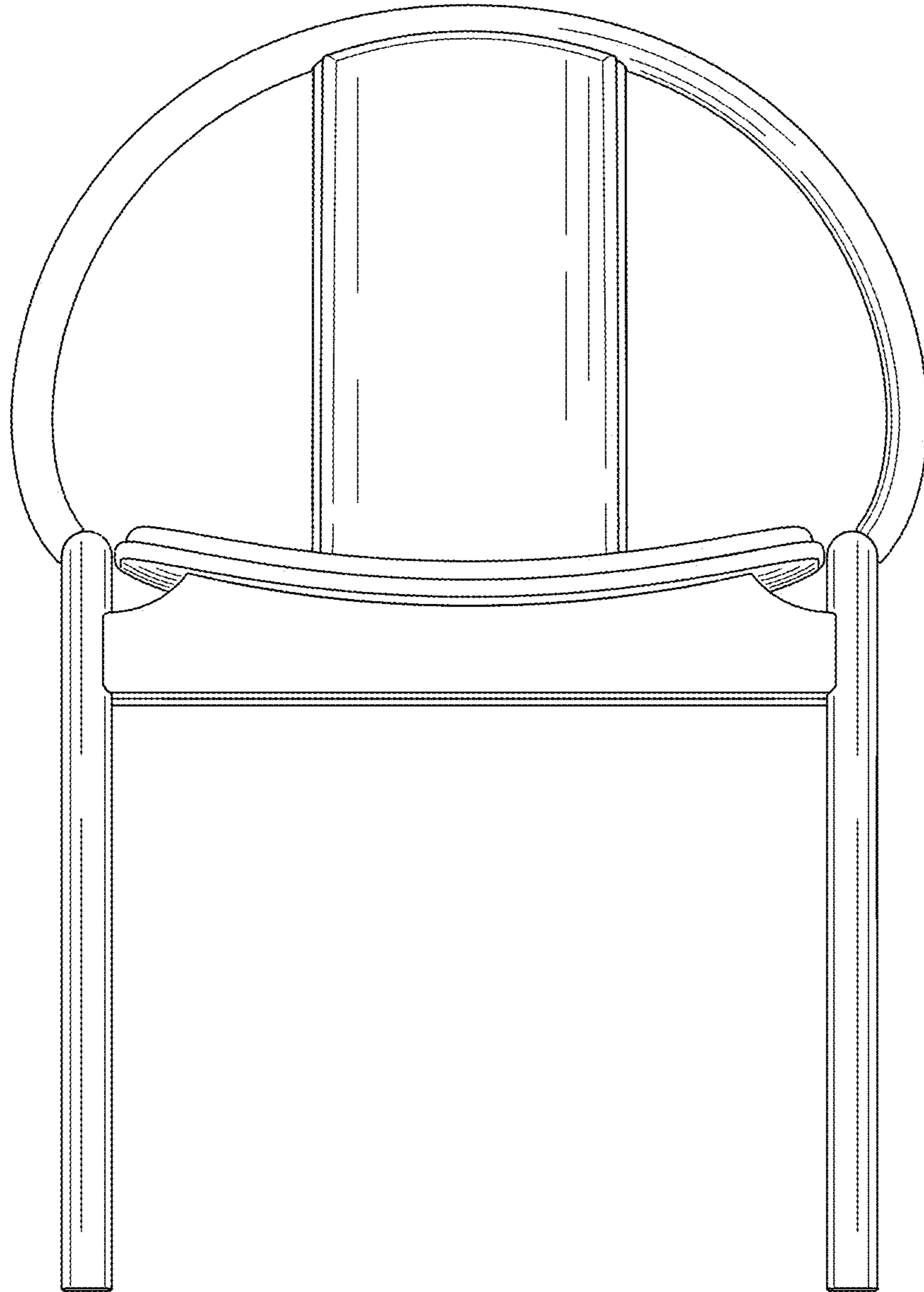


FIG. 10

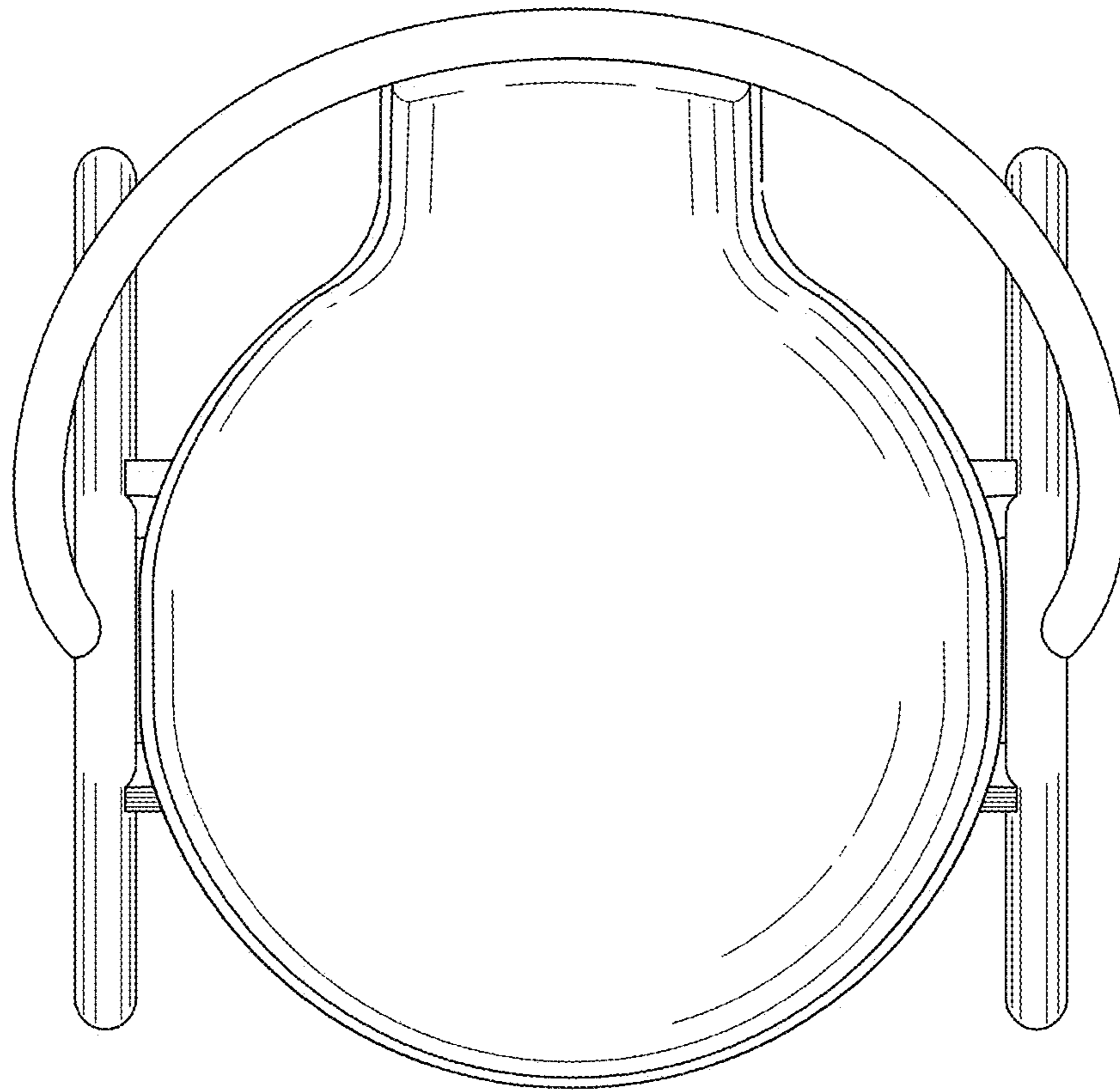


FIG. 11

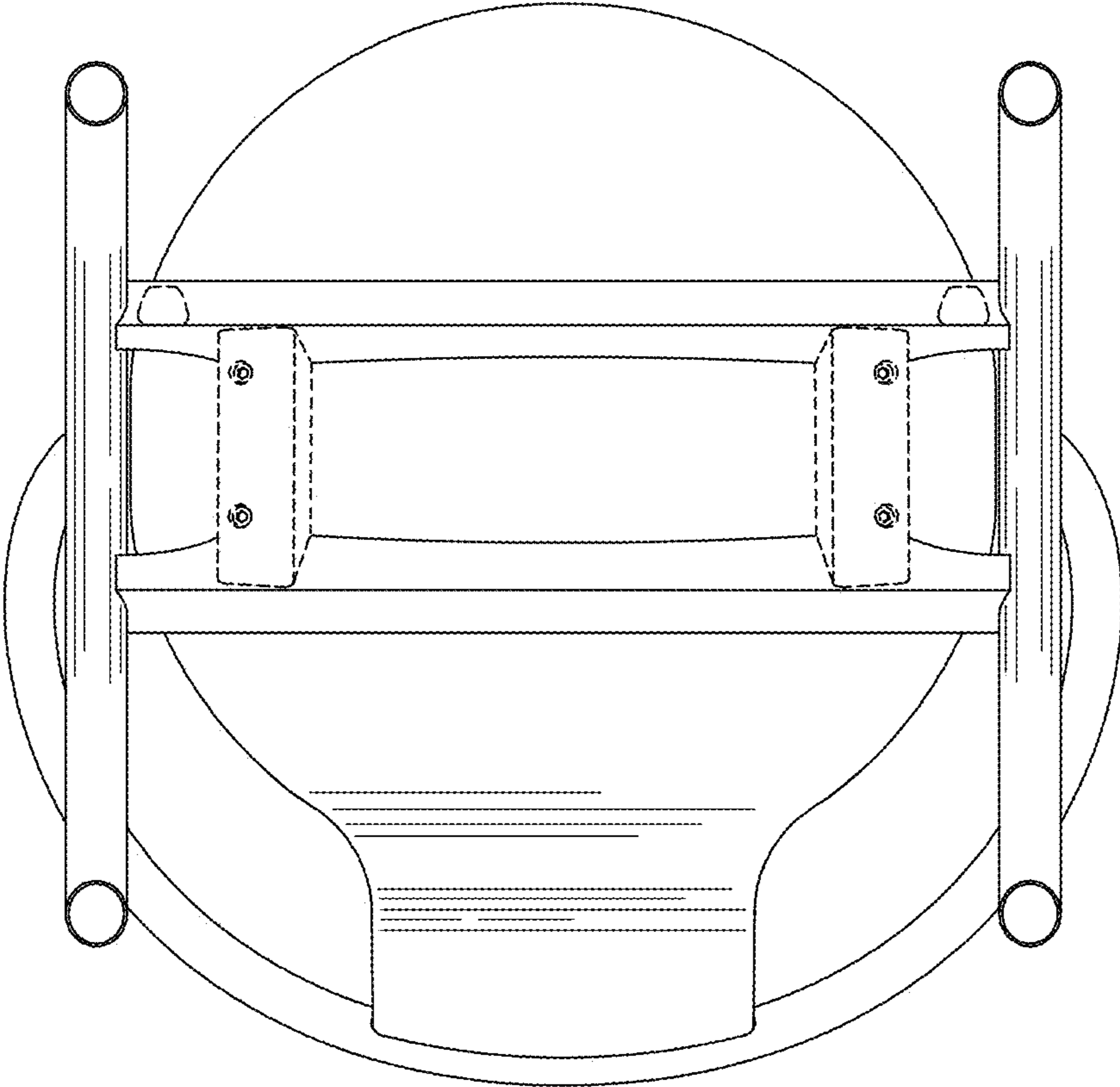


FIG. 12