



US00D962663S

(12) **United States Design Patent** (10) **Patent No.:** **US D962,663 S**  
**Chen** (45) **Date of Patent:** **\*\* Sep. 6, 2022**

(54) **STEP STOOL**  
(71) Applicant: **Taizhou Xiaotanglang Infant Products Co., Ltd., Taizhou (CN)**  
(72) Inventor: **Jian Chen, Taizhou (CN)**  
(\*\*) Term: **15 Years**  
(21) Appl. No.: **29/819,432**

D924,578 S \* 7/2021 Marsden ..... D6/349  
D934,583 S 11/2021 Marsden  
D946,941 S \* 3/2022 Greenwood ..... D6/675.3  
D955,124 S \* 6/2022 Xu ..... D6/350  
2021/0169228 A1\* 6/2021 Yang ..... A47C 12/00

**FOREIGN PATENT DOCUMENTS**

CN 210520543 U \* 5/2020  
CN 211408297 U \* 9/2020  
CN 216135504 U \* 3/2022

(22) Filed: **Dec. 15, 2021**

**OTHER PUBLICATIONS**

(30) **Foreign Application Priority Data**  
Nov. 6, 2021 (CN) ..... 202130729838.5

Innowest 2 Step Stool for Kids, available in Amazon.com, date first available Mar. 25, 2022 [online], Retrieved on Jul. 12, 2022 from URL: <https://www.amazon.com/dp/B09W2RY9BF/> (Year: 2022).\*

(51) **LOC (13) Cl.** ..... **06-01**  
(52) **U.S. Cl.**  
USPC ..... **D6/350**  
(58) **Field of Classification Search**  
USPC ..... D6/349, 350, 351, 353, 355, 333, 334,  
D6/335, 336-338, 684, 687, 691.9, 709.2;  
D21/826; D25/65  
CPC ..... A47C 9/00; A47C 16/02  
See application file for complete search history.

\* cited by examiner

*Primary Examiner* — Vy N Koenig  
*Assistant Examiner* — Michelle M Reeves

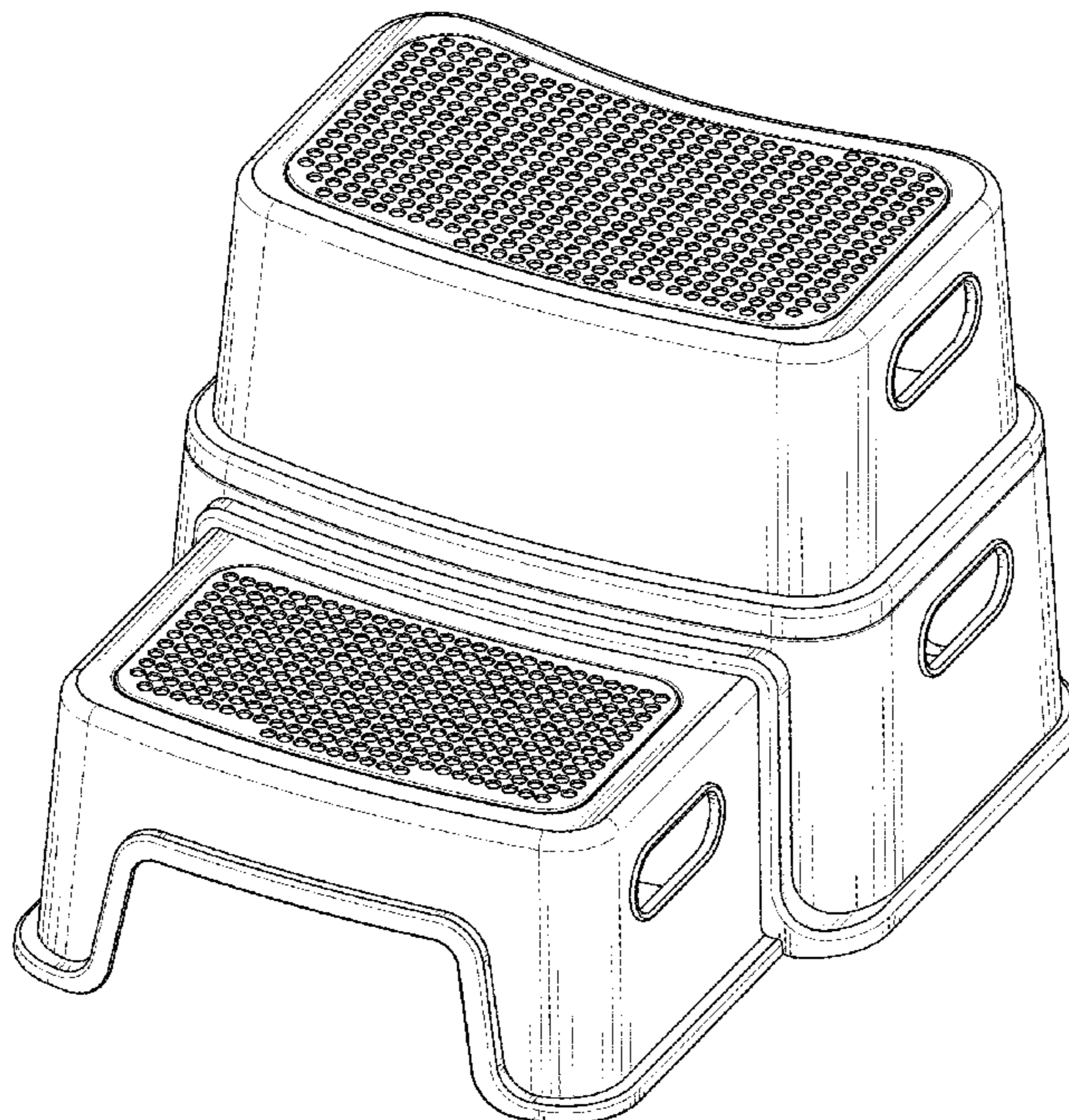
(57) **CLAIM**  
The ornamental design for a step stool, as shown and described.

(56) **References Cited**  
**U.S. PATENT DOCUMENTS**  
5,094,505 A \* 3/1992 Nichols ..... A47C 12/02  
297/118  
D330,462 S \* 10/1992 Szablak ..... D6/350  
D337,211 S \* 7/1993 Bergkvist ..... D6/349  
D354,210 S \* 1/1995 Dickinson ..... D6/350  
D429,038 S \* 8/2000 Forester ..... D30/119  
D507,662 S \* 7/2005 St-Hilaire ..... D25/63  
D789,107 S \* 6/2017 Thibault ..... D6/350  
D865,386 S \* 11/2019 Sphikas ..... D6/350  
D923,950 S 7/2021 Marsden

**DESCRIPTION**

FIG. 1 is a front, top and right perspective view of a step stool showing my new design;  
FIG. 2 is a front view thereof;  
FIG. 3 is a rear view thereof;  
FIG. 4 is a left side view thereof;  
FIG. 5 is a right side view thereof;  
FIG. 6 is a top plan view thereof; and,  
FIG. 7 is a bottom plan view thereof.  
The broken lines in the figures illustrate portions of the step stool that form no part of the claimed design.

**1 Claim, 7 Drawing Sheets**



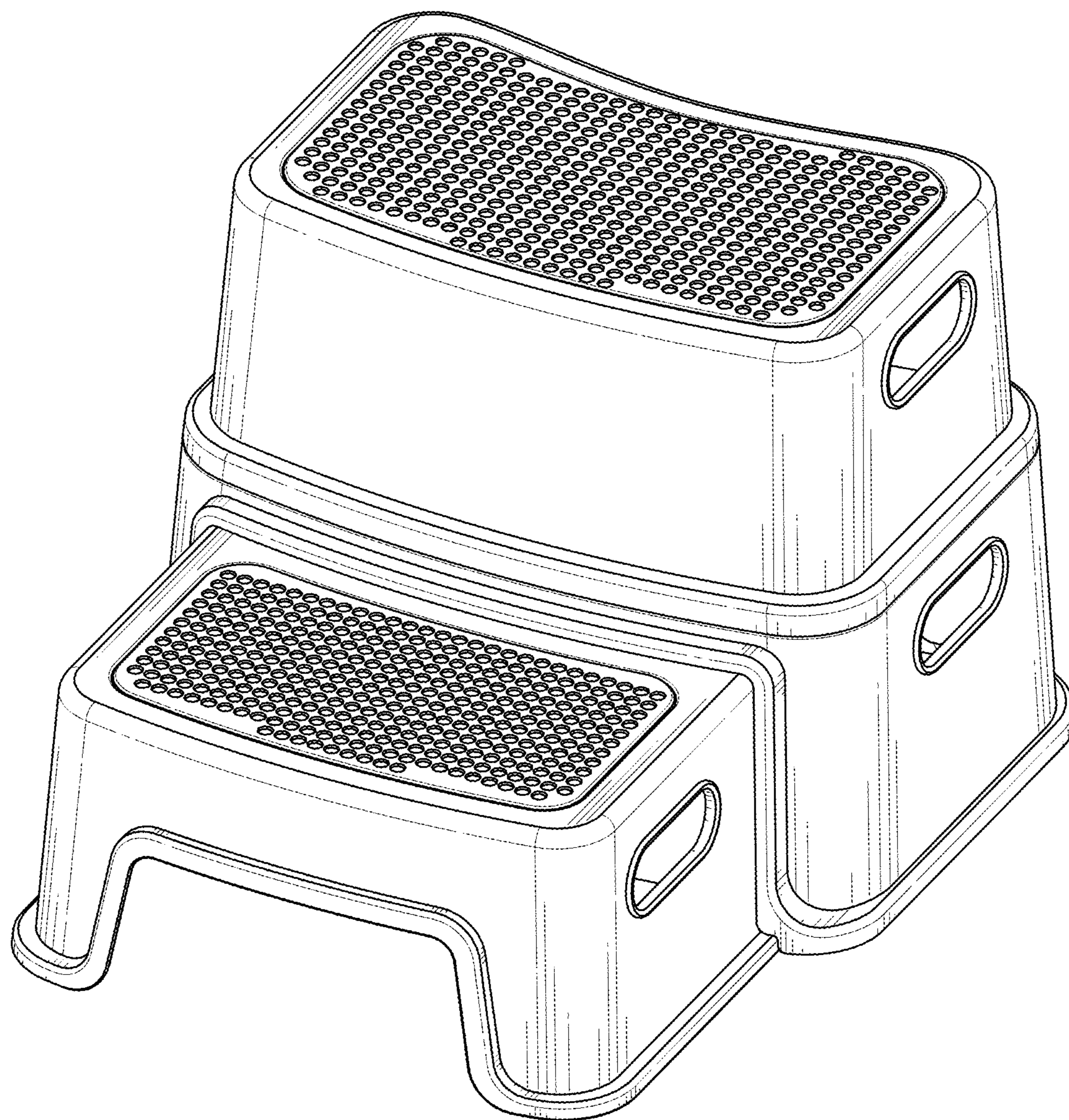


FIG. 1



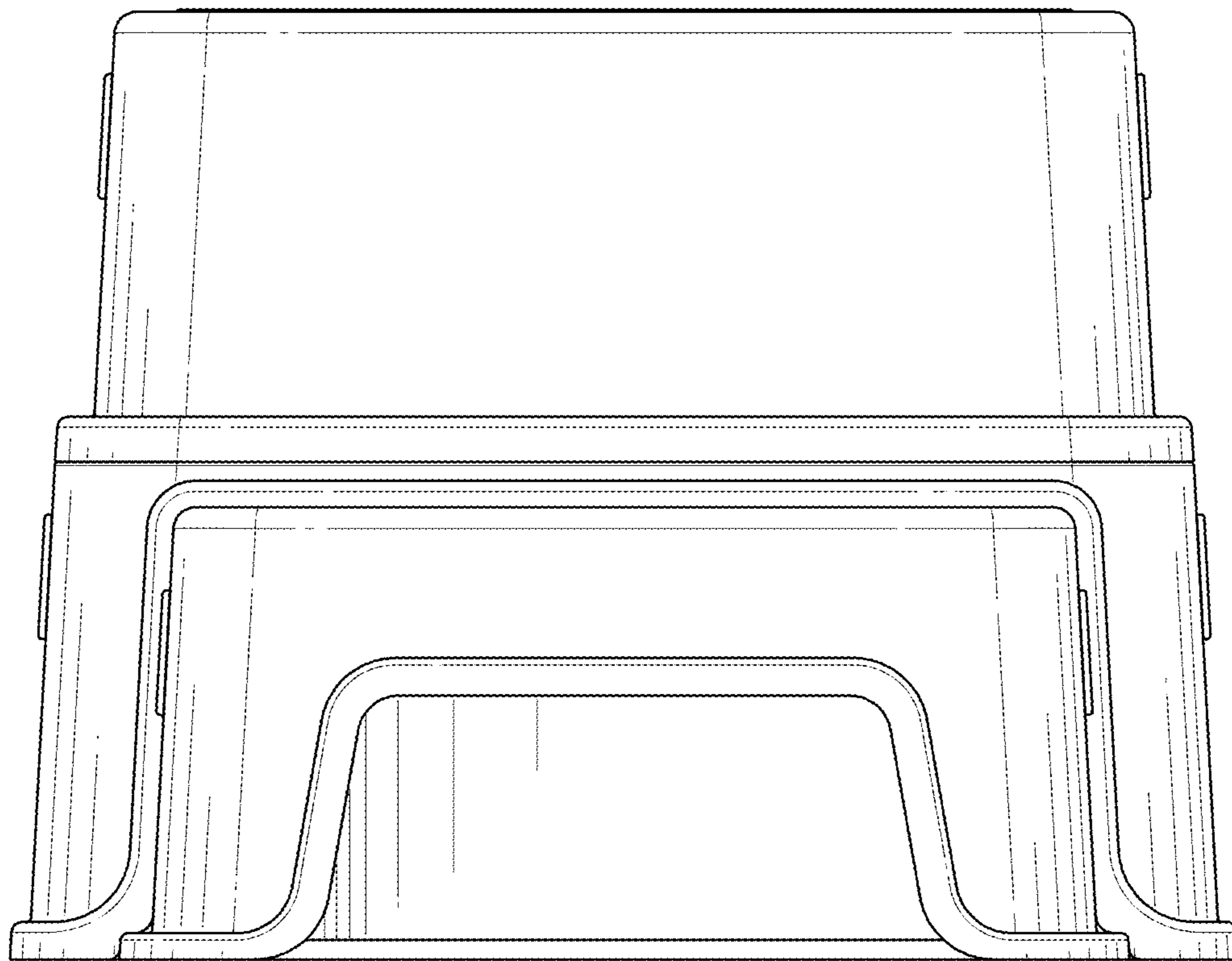


FIG. 2

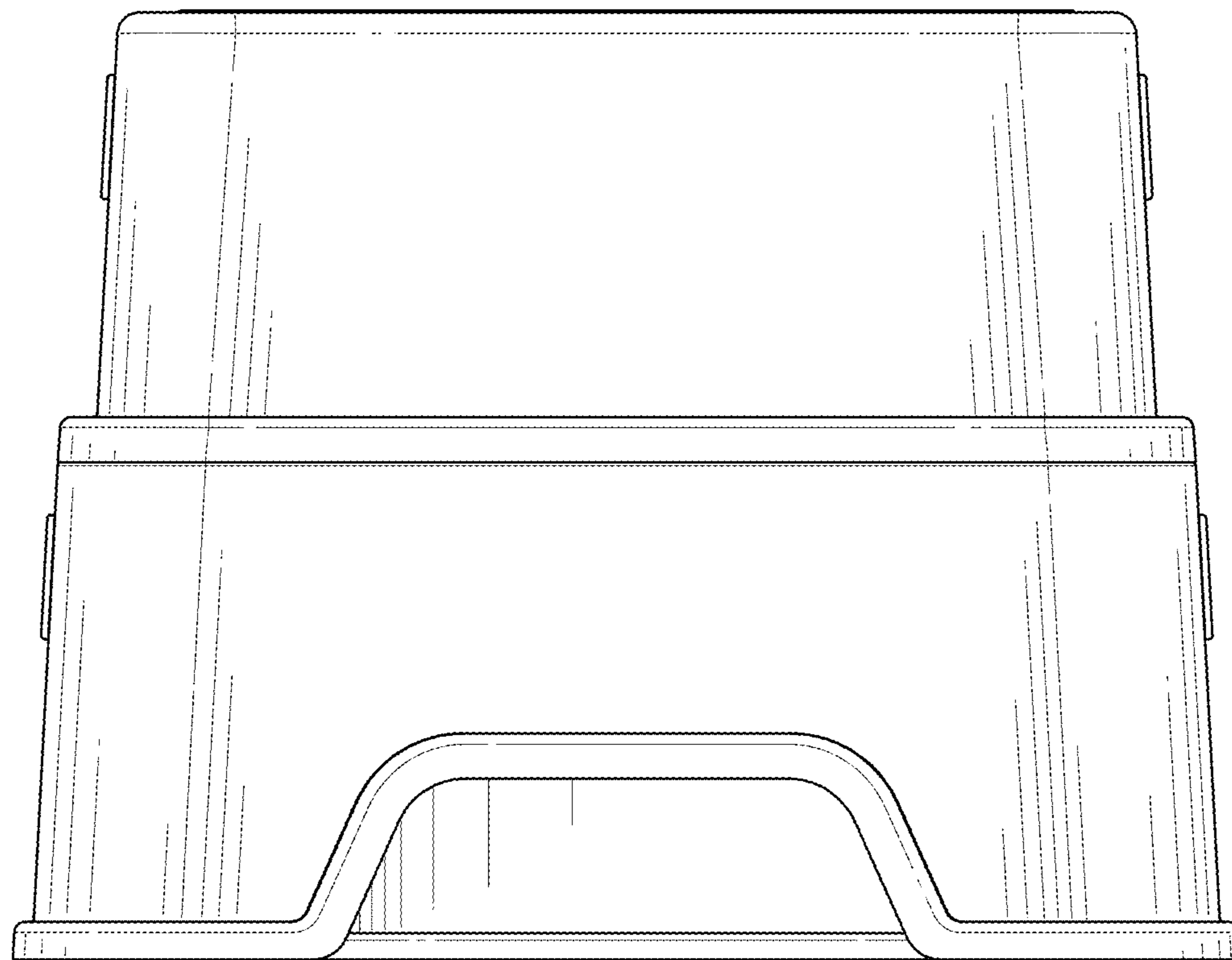


FIG. 3

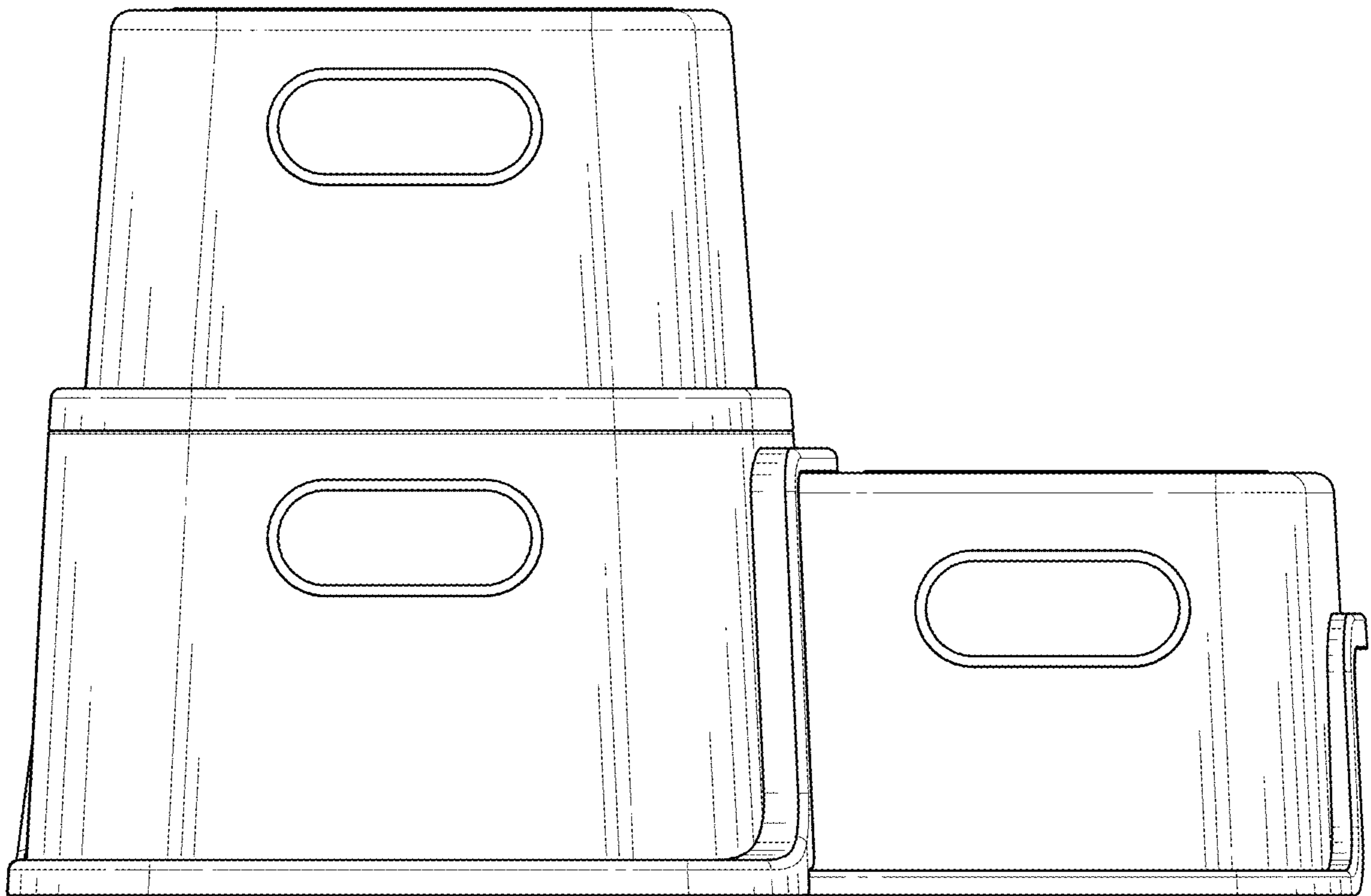


FIG. 4

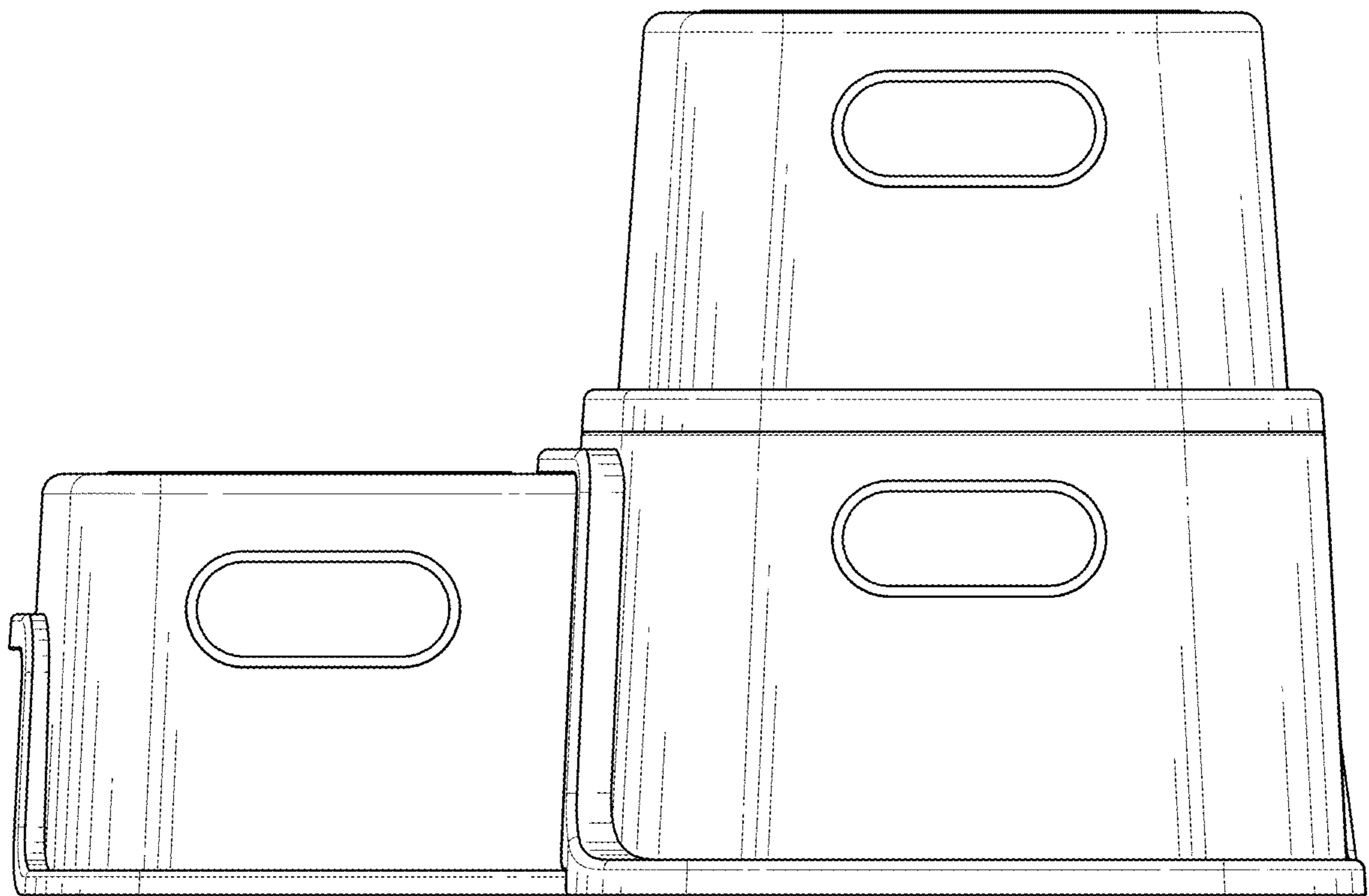


FIG. 5

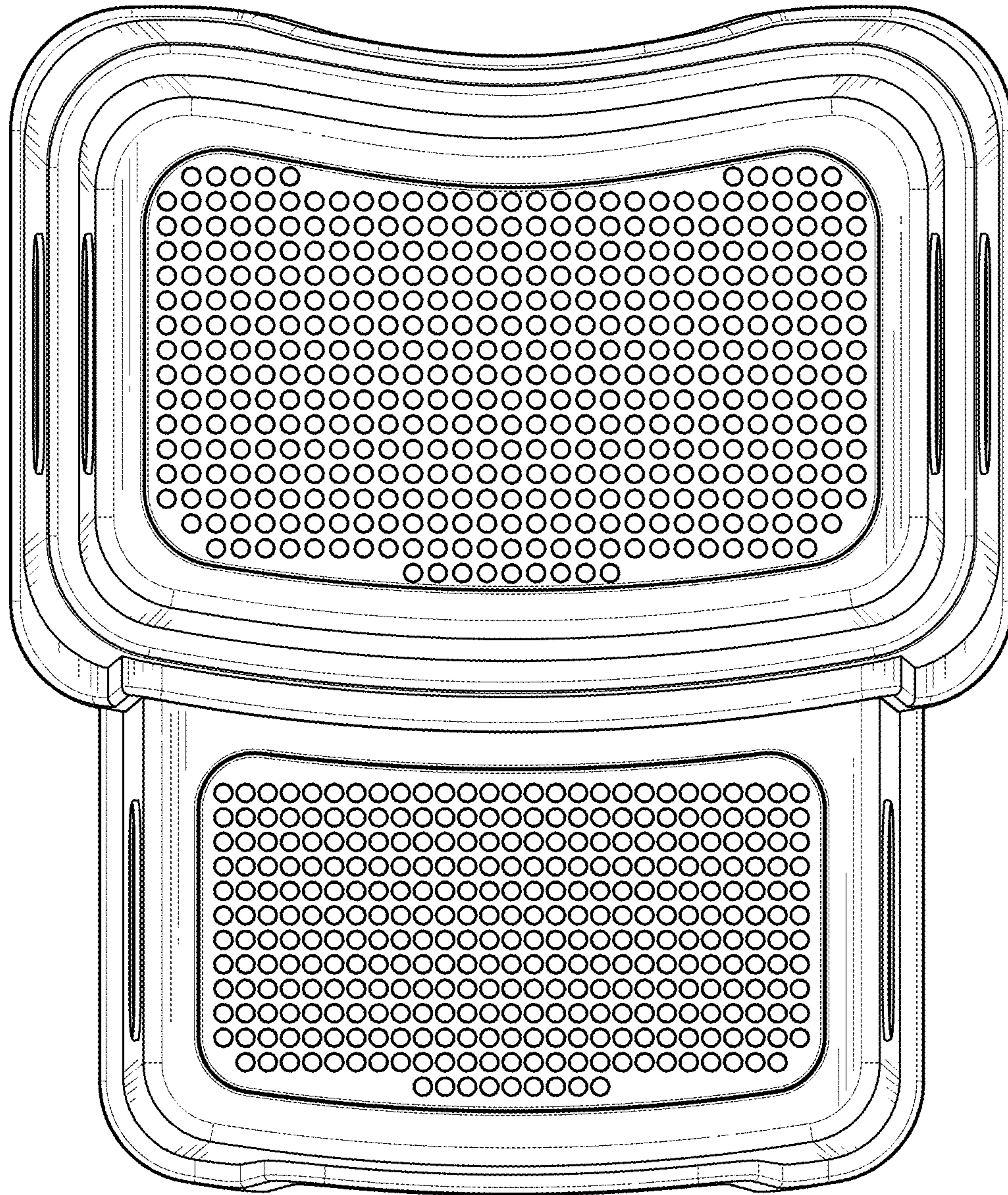


FIG. 6



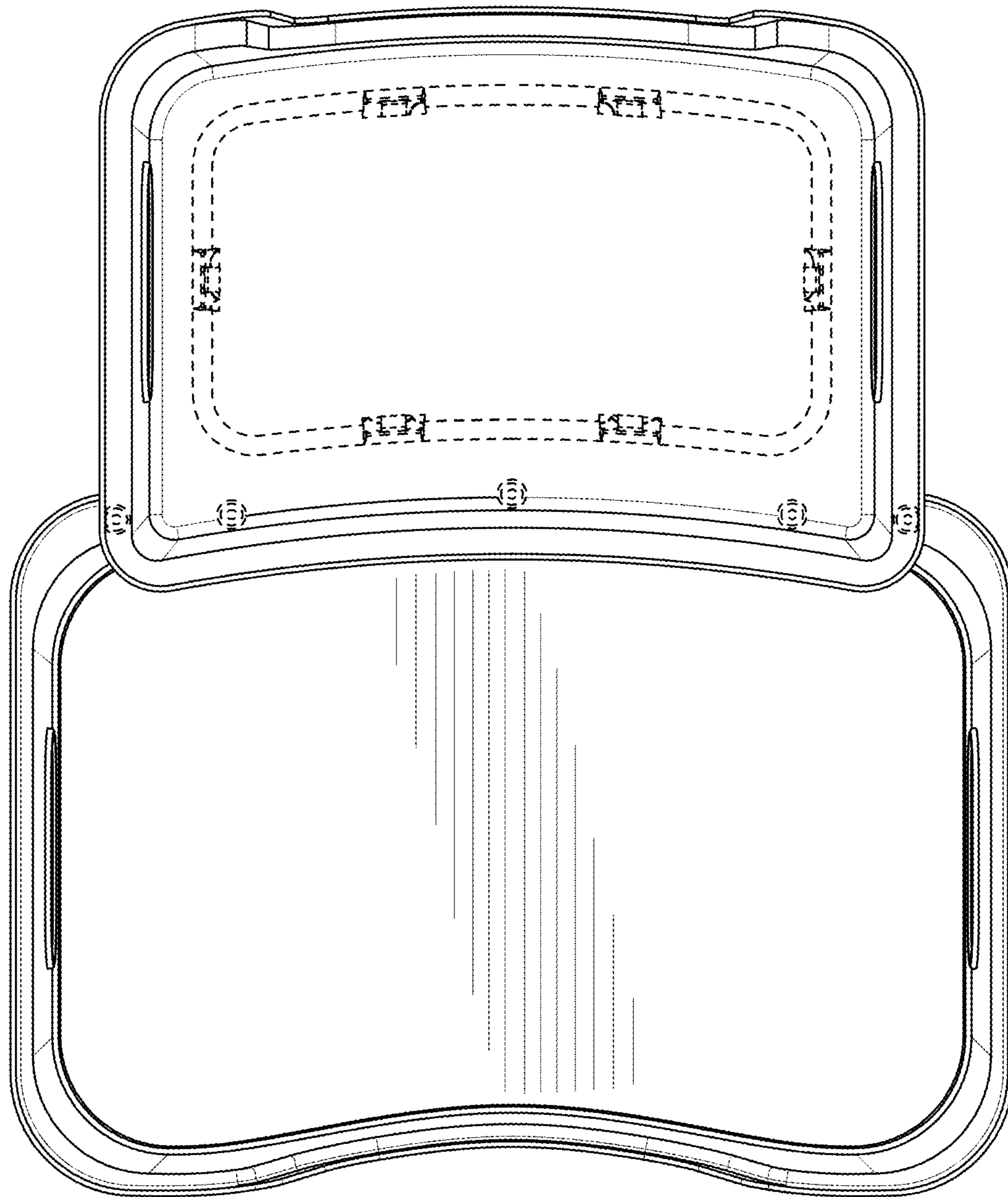


FIG. 7