



US00D962662S

(12) **United States Design Patent** (10) **Patent No.:** **US D962,662 S**  
**Boyer** (45) **Date of Patent:** **\*\* Sep. 6, 2022**

(54) **FOOT ROCKER**

- (71) Applicant: **Harold P. Boyer**, Mansfield, LA (US)
- (72) Inventor: **Harold P. Boyer**, Mansfield, LA (US)
- (\*\*) Term: **15 Years**
- (21) Appl. No.: **29/817,933**
- (22) Filed: **Dec. 6, 2021**
- (51) **LOC (13) Cl.** ..... **06-01**
- (52) **U.S. Cl.**  
USPC ..... **D6/349**
- (58) **Field of Classification Search**  
USPC ..... D6/334, 335, 344, 348, 349-353,  
D6/364-365, 691-691.9, 692-692.6, 694,  
D6/698, 700, 707.2, 708, 708.17, 708.25,  
D6/716-716.1, 716.11; D25/65  
CPC ... A47C 12/00; A47C 13/00; A47C 16/02-04;  
A47K 17/02; A47K 17/028  
See application file for complete search history.

(56) **References Cited**

**U.S. PATENT DOCUMENTS**

|                |         |           |       |                         |
|----------------|---------|-----------|-------|-------------------------|
| D111,672 S *   | 10/1938 | Stoll     | ..... | D6/353                  |
| D117,948 S *   | 12/1939 | Forman    | ..... | 297/423.43              |
| D159,509 S *   | 8/1950  | Mors      | ..... | D6/349                  |
| D208,022 S *   | 7/1967  | Ward      | ..... | D6/349                  |
| D229,800 S *   | 1/1974  | Jones     | ..... | D6/349                  |
| D259,156 S *   | 5/1981  | Massow    | ..... | D6/349                  |
| D364,281 S *   | 11/1995 | Eason     | ..... | D6/349                  |
| D399,067 S *   | 10/1998 | Harrison  | ..... | D6/349                  |
| D510,485 S *   | 10/2005 | Selby     | ..... | D6/330                  |
| D612,160 S *   | 3/2010  | Carino    | ..... | D6/330                  |
| 8,216,114 B1 * | 7/2012  | Wynn, III | ..... | A63B 21/00047<br>482/52 |
| D798,609 S *   | 10/2017 | Henschel  | ..... | D6/330                  |
| 9,883,748 B2 * | 2/2018  | Murray    | ..... | A47C 3/02               |

**OTHER PUBLICATIONS**

Rocking Gout Vintage Footstool. [online] Retrieved Mar. 22, 2022 from URL: <https://www.harpgallery.com/shop/item37534.html> (Year: 2022).\*

RockerRest Rocking Foot Stool. [online] Retrieved Mar. 22, 2022 from URL: <https://www.instructables.com/RockerRest-Rocking-Foot-Stool/> (Year: 2022).\*

\* cited by examiner

*Primary Examiner* — Vy N Koenig

(74) *Attorney, Agent, or Firm* — R. Keith Harrison

(57) **CLAIM**

The ornamental design for a foot rocker, as shown and described.

**DESCRIPTION**

FIG. 1 is a front perspective view of a foot rocker showing my new design;

FIG. 2 is a front view thereof;

FIG. 3 is a rear view thereof;

FIG. 4 is a right-side view thereof;

FIG. 5 is a left-side view thereof;

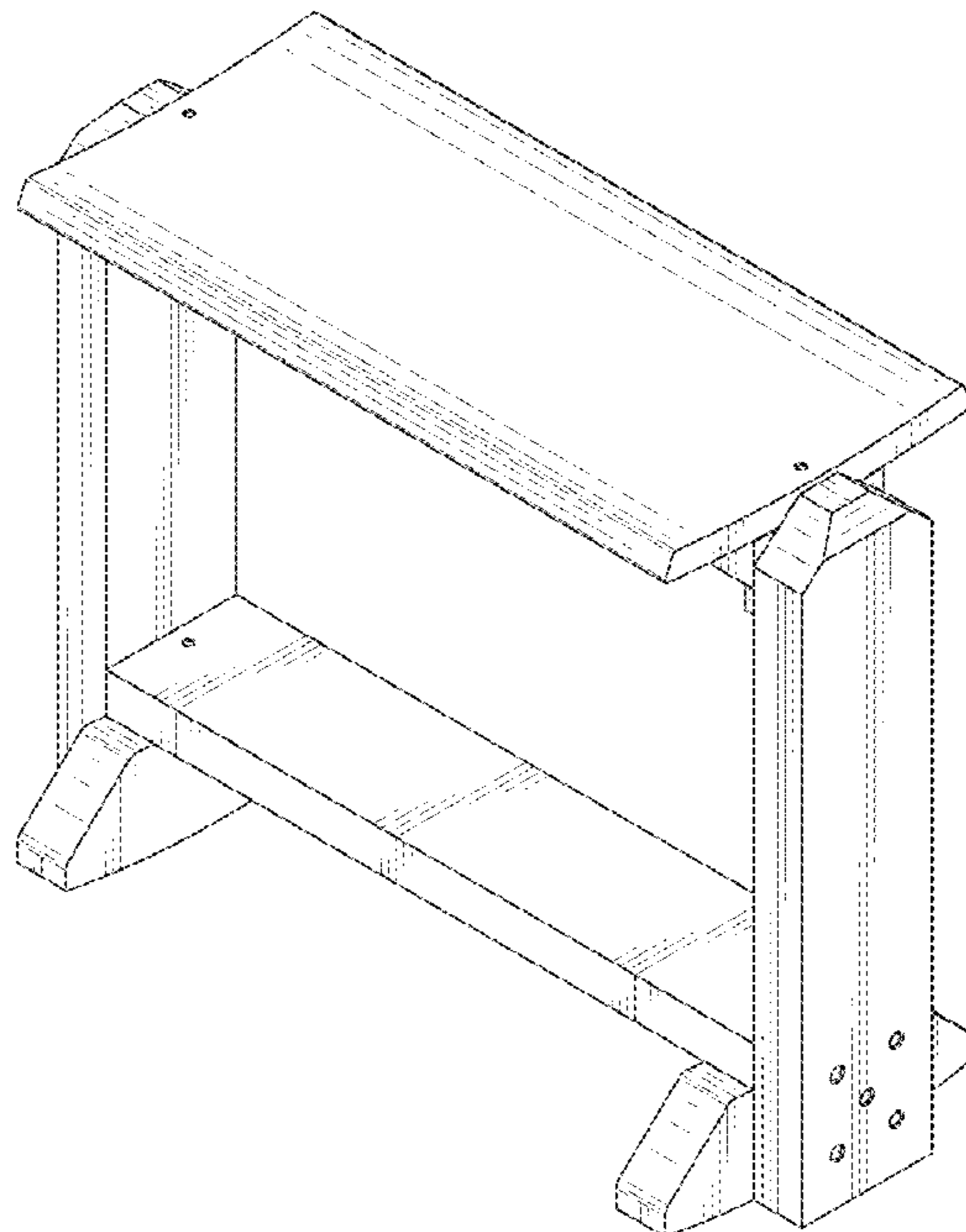
FIG. 6 is a top view thereof;

FIG. 7 is a bottom view thereof; and,

FIG. 8 is a left side view thereof as it would appear placed in front of an unclaimed rocking chair.

FIG. 8 includes broken lines depicting environmental subject matter, specifically a rocking chair, and forms no part of the claimed design.

**1 Claim, 7 Drawing Sheets**



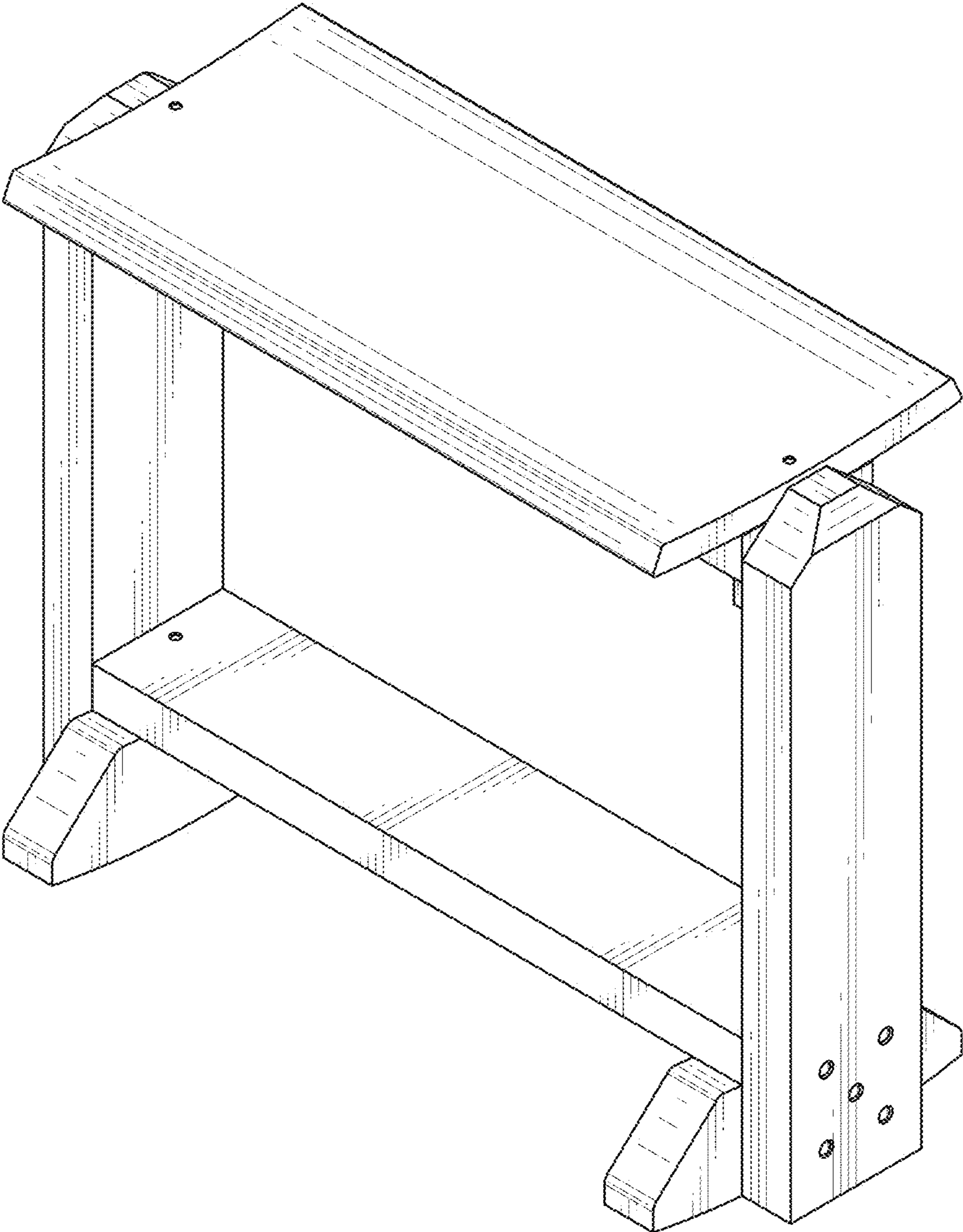


FIG. 1

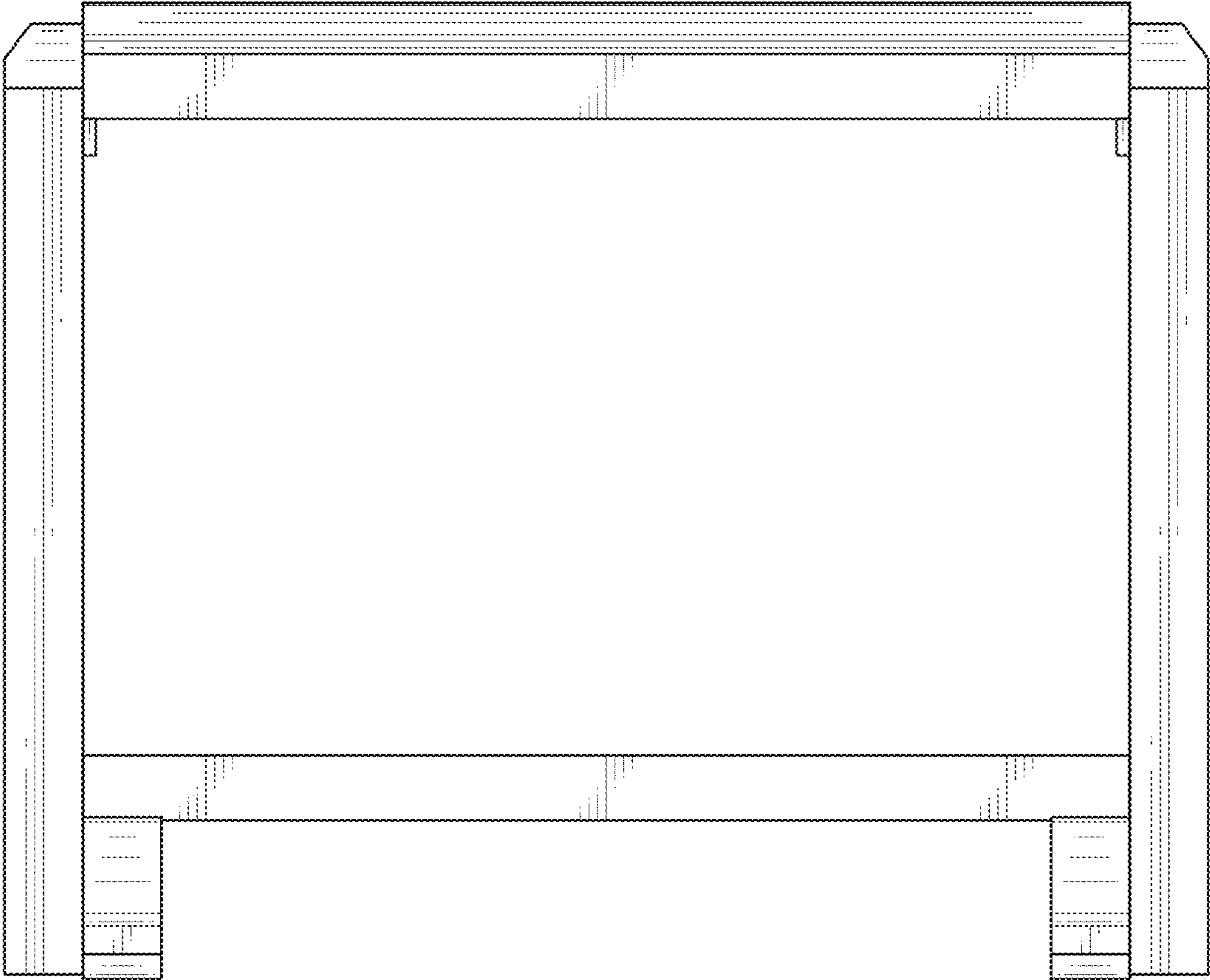


FIG. 2

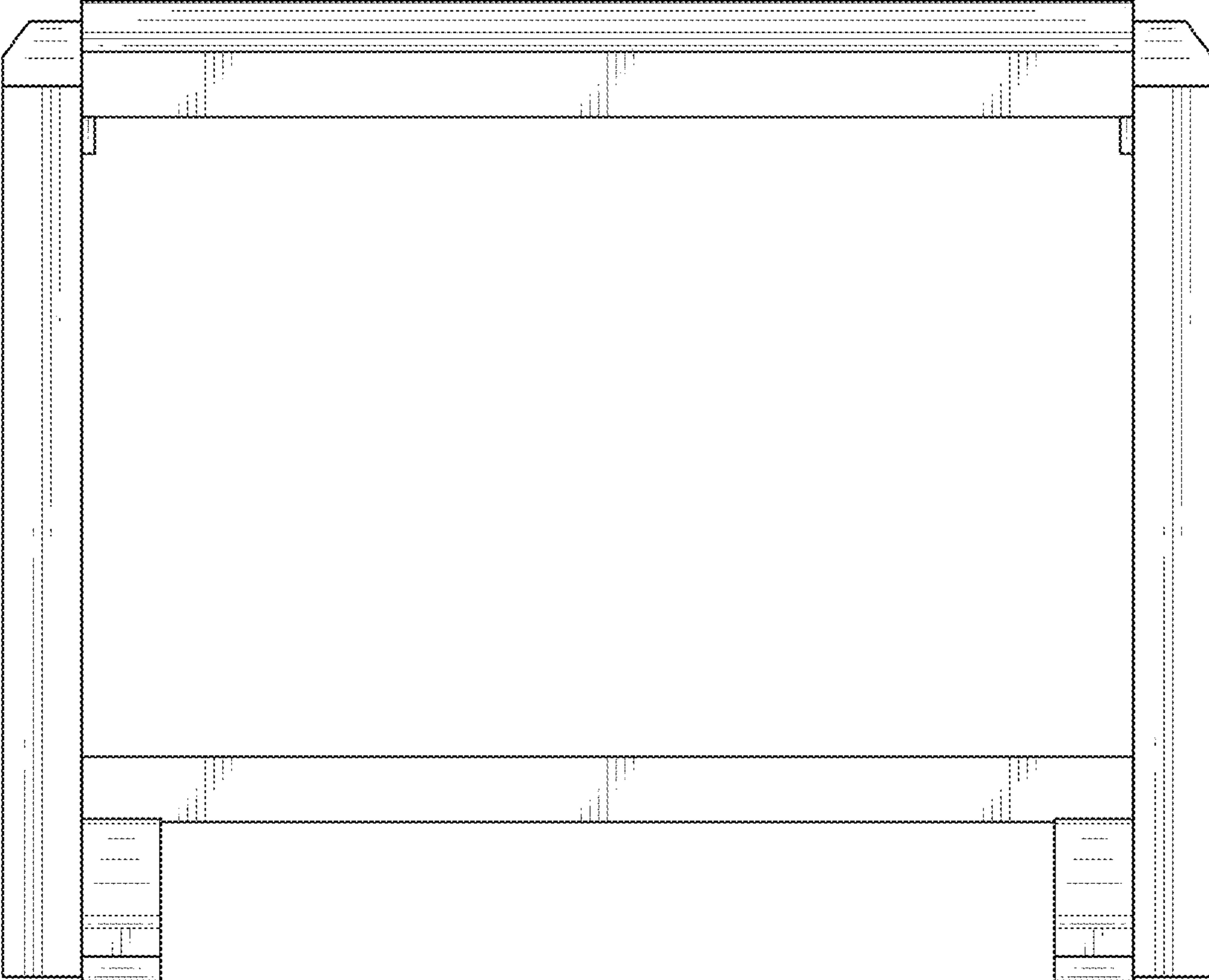


FIG. 3

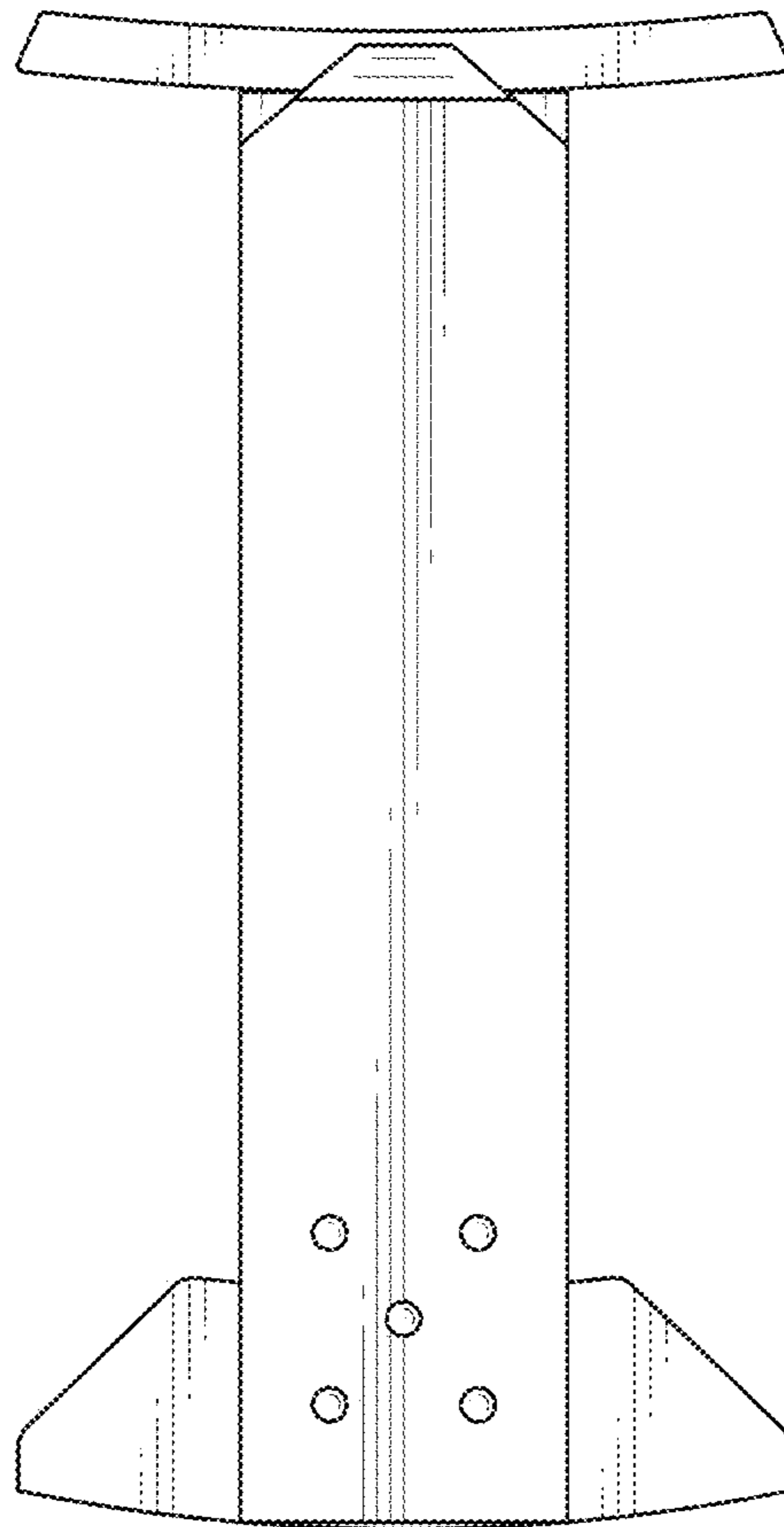


FIG. 4

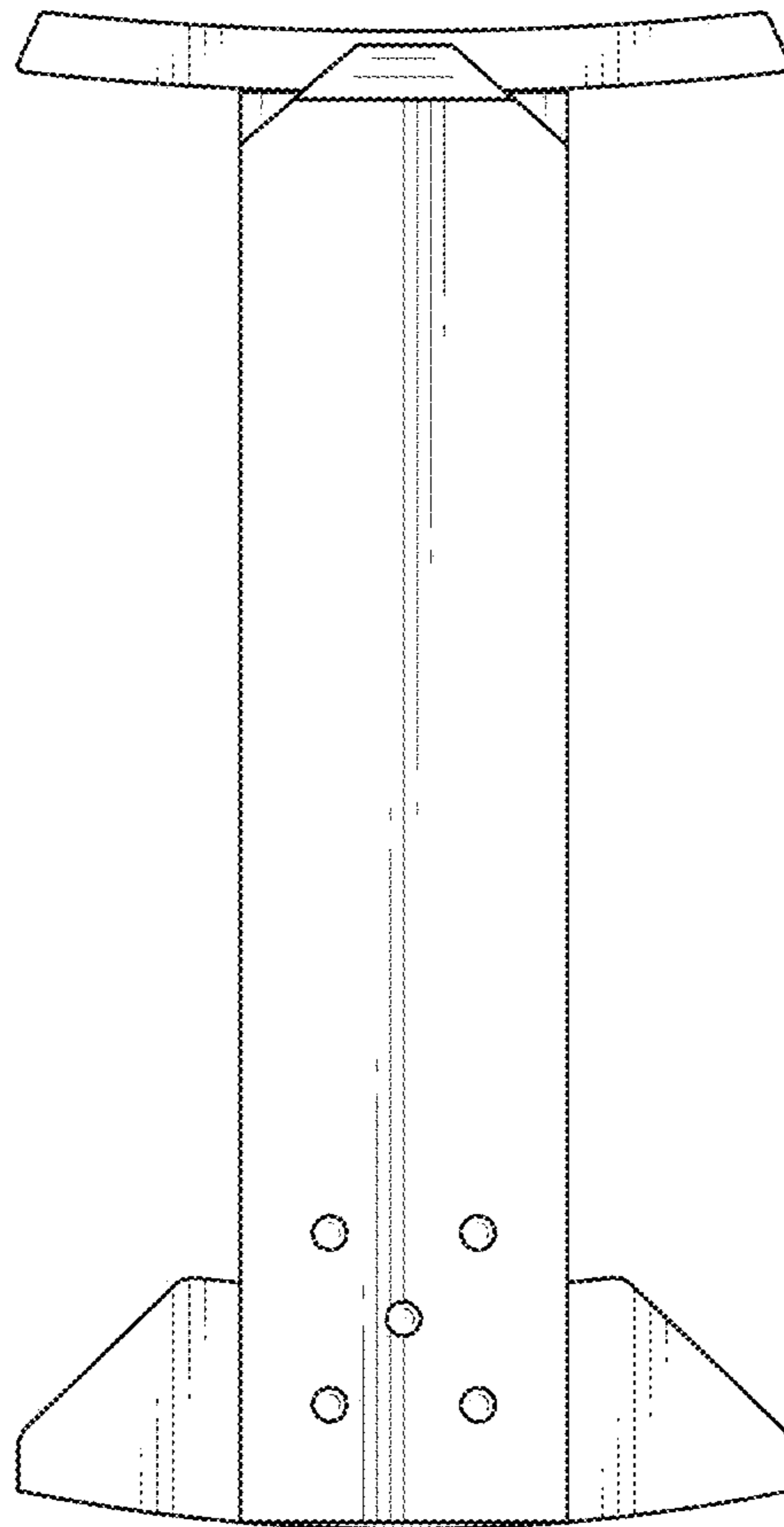


FIG. 5

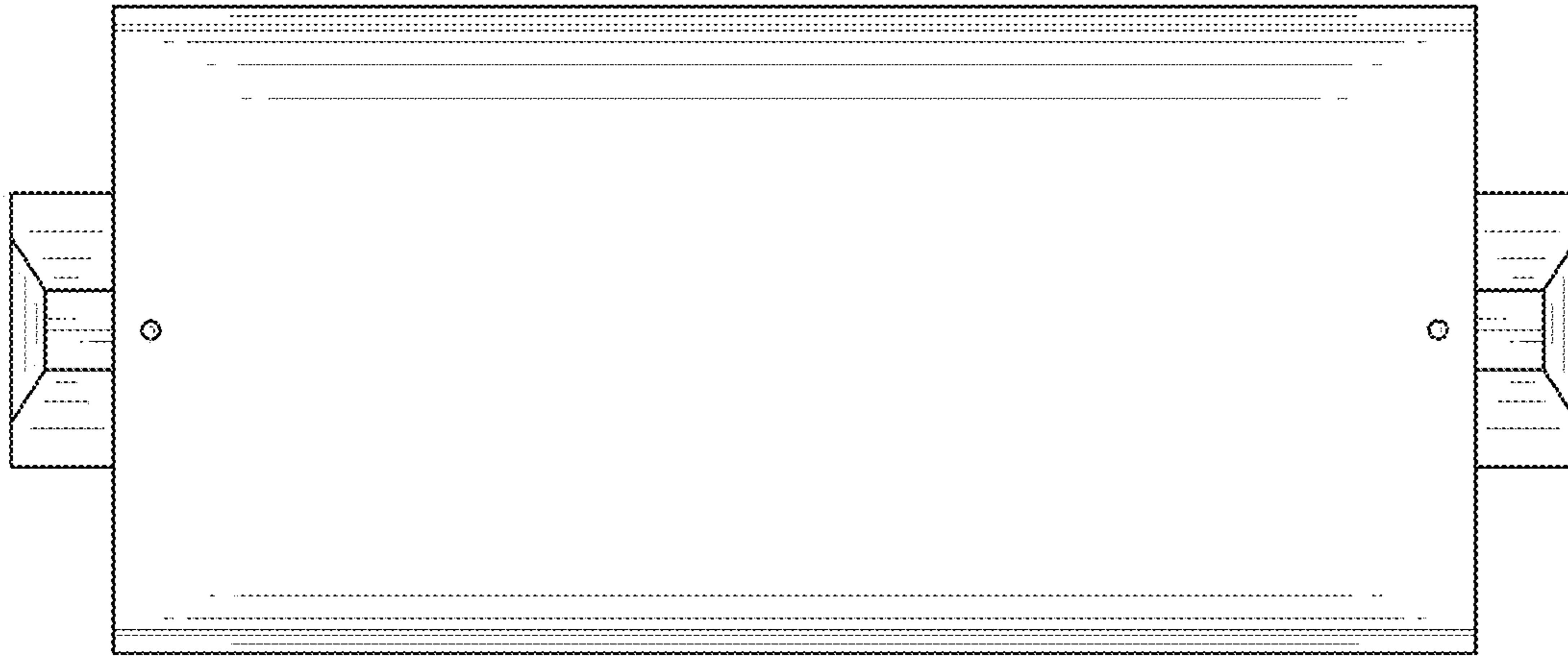


FIG. 6

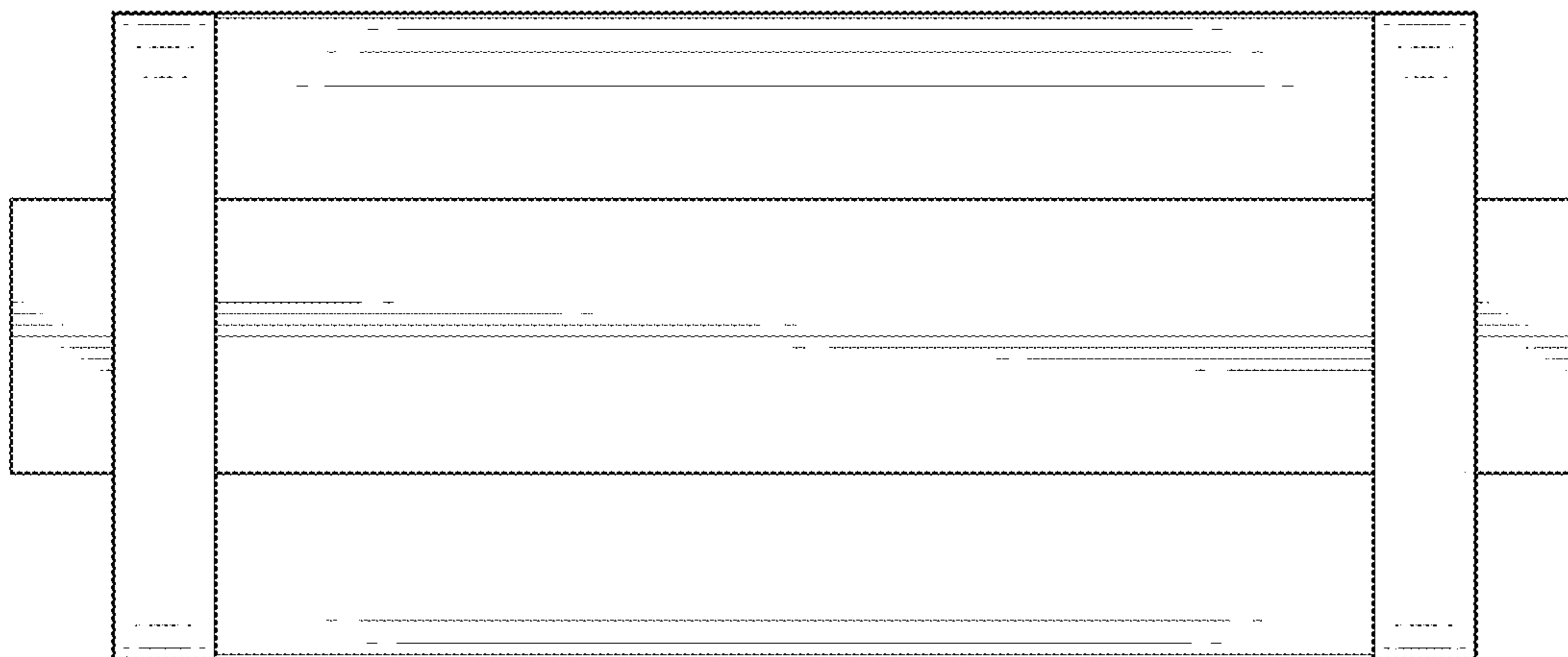


FIG. 7

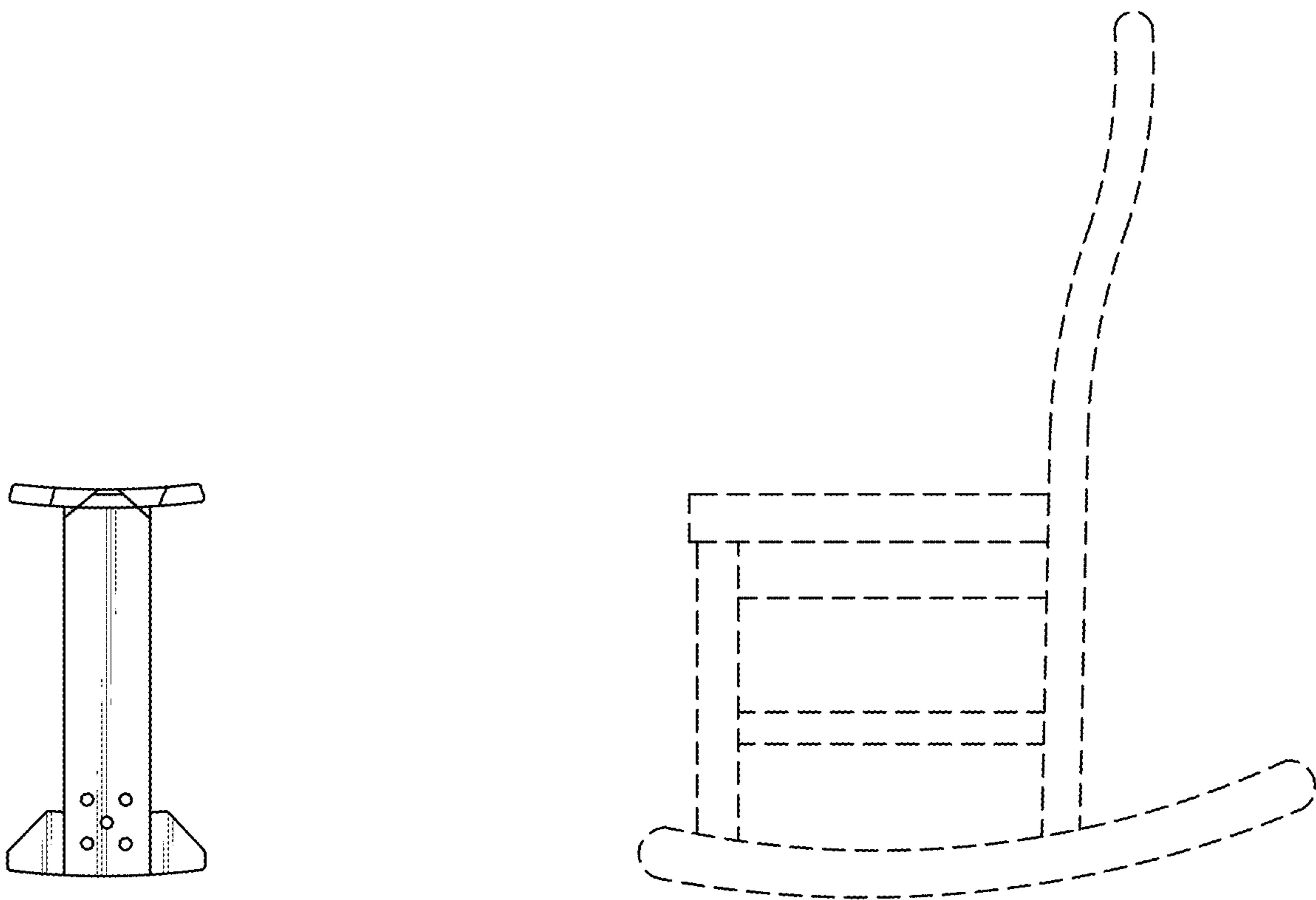


FIG. 8