



US00D962659S

(12) **United States Design Patent**  
**VanHeusen**

(10) **Patent No.:** **US D962,659 S**

(45) **Date of Patent:** **\*\* Sep. 6, 2022**

(54) **BELT HANGER**  
(71) Applicant: **Wilder Tactical, LLC**, Gastonia, NC (US)  
(72) Inventor: **Joshua VanHeusen**, Gastonia, NC (US)  
(73) Assignee: **WILDER TACTICAL, LLC**, Gastonia, NC (US)  
(\*\*) Term: **15 Years**

5,005,741 A \* 4/1991 Kolton ..... B65D 73/0064  
223/89  
5,505,351 A \* 4/1996 Najarian ..... B65D 73/0064  
223/DIG. 2  
D409,899 S \* 5/1999 Schrader ..... D8/367  
D755,529 S \* 5/2016 Schlang ..... D8/367  
D899,794 S \* 10/2020 Shallcross ..... D6/328  
D926,480 S \* 8/2021 Hughes ..... D6/315  
11,219,327 B2 \* 1/2022 Chan ..... A47G 25/1442  
2002/0104858 A1 \* 8/2002 Woodworth ..... A47G 25/483  
223/85  
2008/0110943 A1 \* 5/2008 Kolton ..... B65D 73/0071  
223/85

(21) Appl. No.: **29/797,334**

\* cited by examiner

(22) Filed: **Jun. 30, 2021**

*Primary Examiner* — Lauren R Calve

(51) **LOC (13) Cl.** ..... **06-08**

(74) *Attorney, Agent, or Firm* — Kim and Lahey Law Firm, LLC; Seann P. Lahey

(52) **U.S. Cl.**  
USPC ..... **D6/315**

(58) **Field of Classification Search**  
USPC ..... D6/315-328; D8/367  
CPC ..... A47G 25/28; A47G 25/32; A47G 25/487;  
A47G 25/26; A47G 25/4023; A47G  
25/20; A47G 25/481; A47G 25/743;  
A47G 25/442; A47G 25/30; A47G 25/48;  
A47G 25/36; A47G 25/24; A47G 25/16;  
A47G 25/14; A47G 25/40; A47G 25/52;  
A47G 25/70; A47G 25/4038; A47G  
25/1457; A47G 25/06; A47G 2025/484;  
A47G 25/0685; A47G 25/34; A47G  
25/0607; A47G 25/74

See application file for complete search history.

(57) **CLAIM**

The ornamental design for a belt hanger, as shown and described.

**DESCRIPTION**

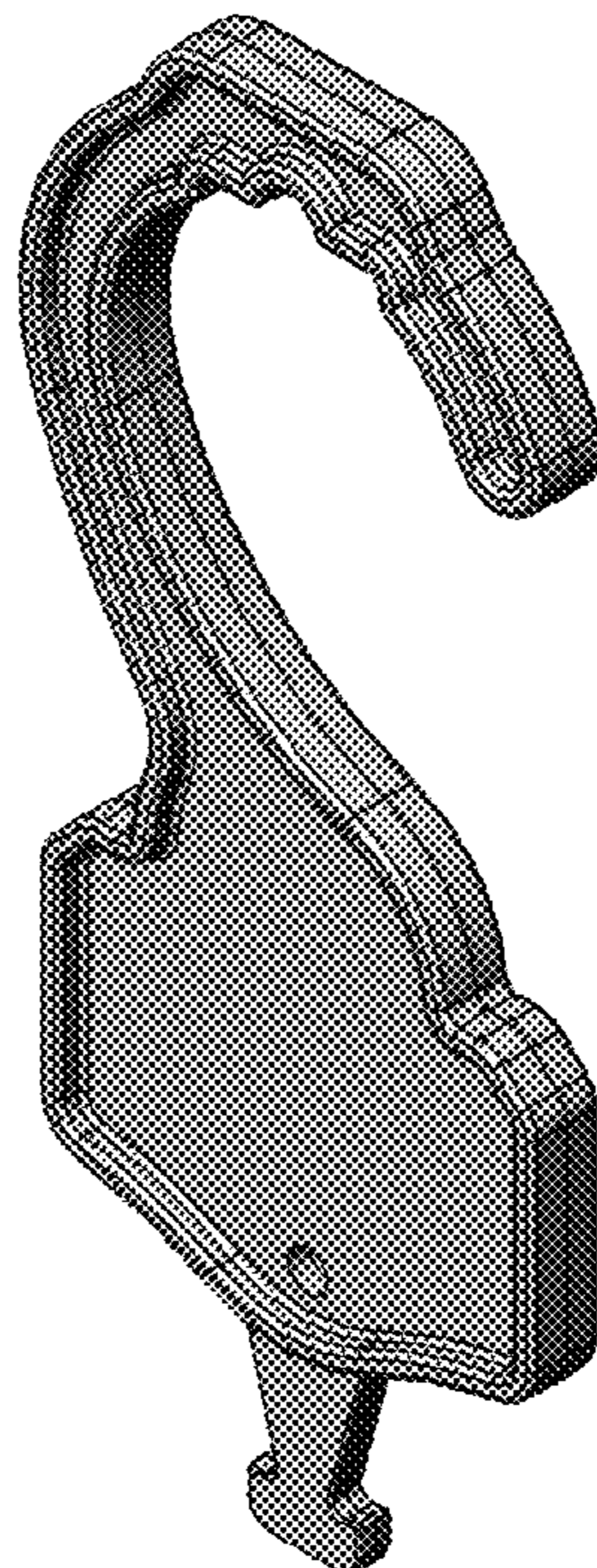
FIG. 1 is a front perspective view of a belt hanger showing the new design;  
FIG. 2 is a rear perspective view thereof;  
FIG. 3 is a front elevation view thereof;  
FIG. 4 is a rear elevation view thereof;  
FIG. 5 is a right side elevation view thereof;  
FIG. 6 is a left side elevation view thereof;  
FIG. 7 is a top plan view thereof;  
FIG. 8 is a bottom plan view thereof;  
FIG. 9 is a bottom right perspective view thereof; and,  
FIG. 10 is a bottom left perspective view thereof.

(56) **References Cited**

**U.S. PATENT DOCUMENTS**

D182,259 S \* 3/1958 Tupper ..... D6/315  
D278,291 S \* 4/1985 Gurule ..... D6/328

**1 Claim, 8 Drawing Sheets**



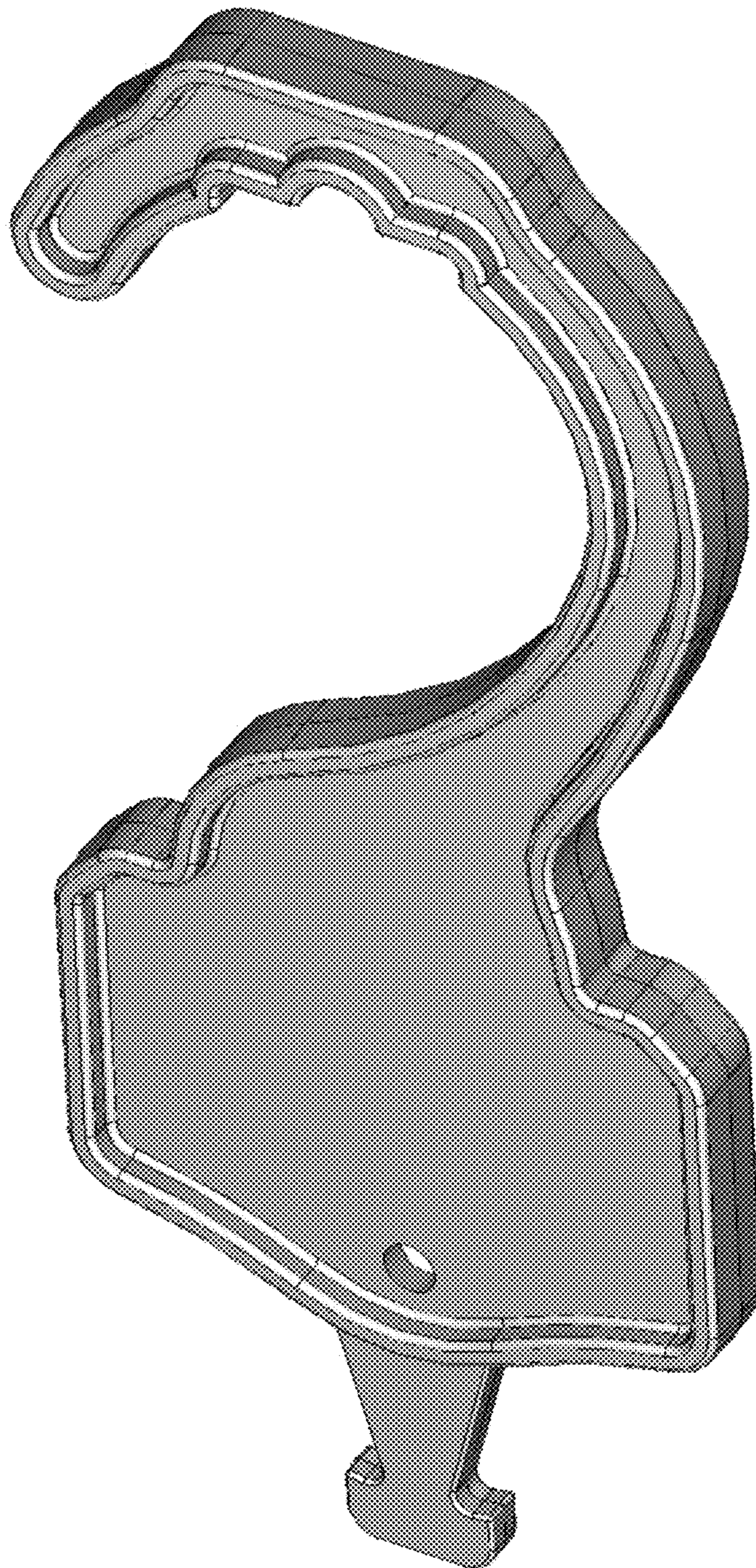


Fig. 1

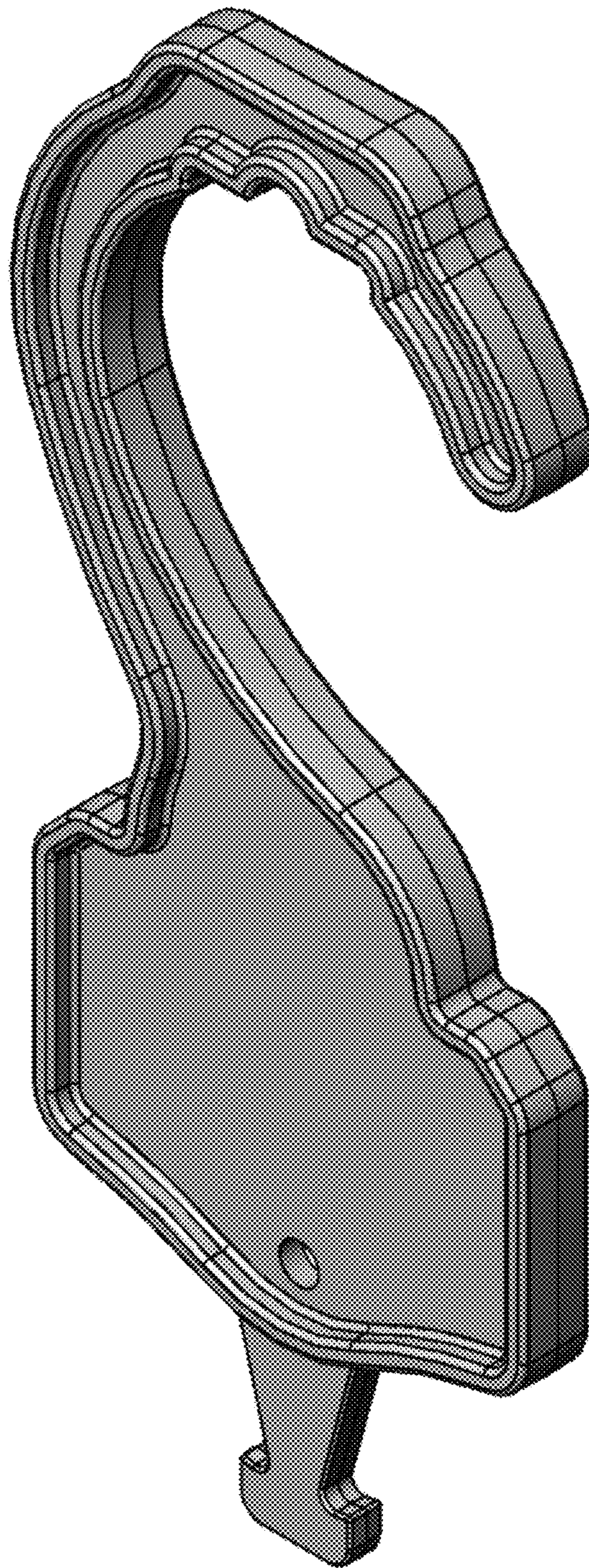


Fig. 2

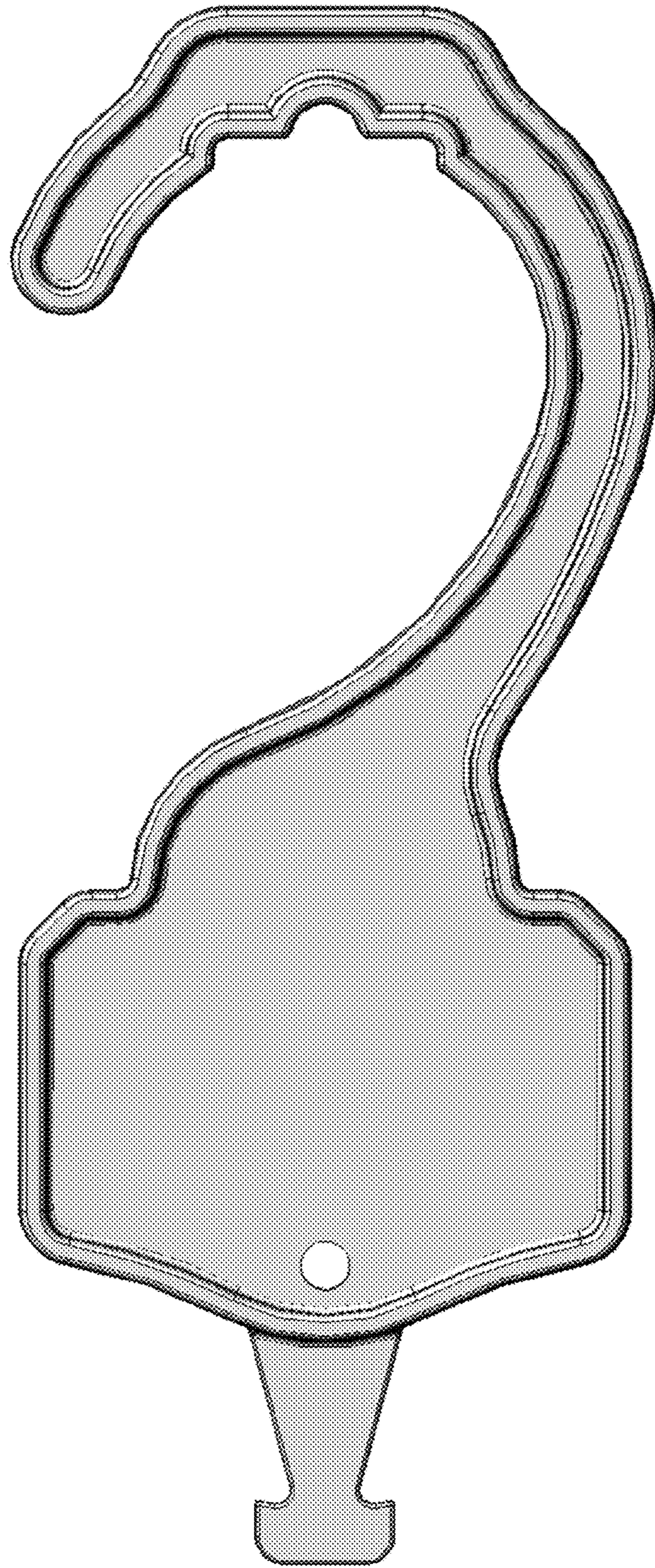


Fig. 3

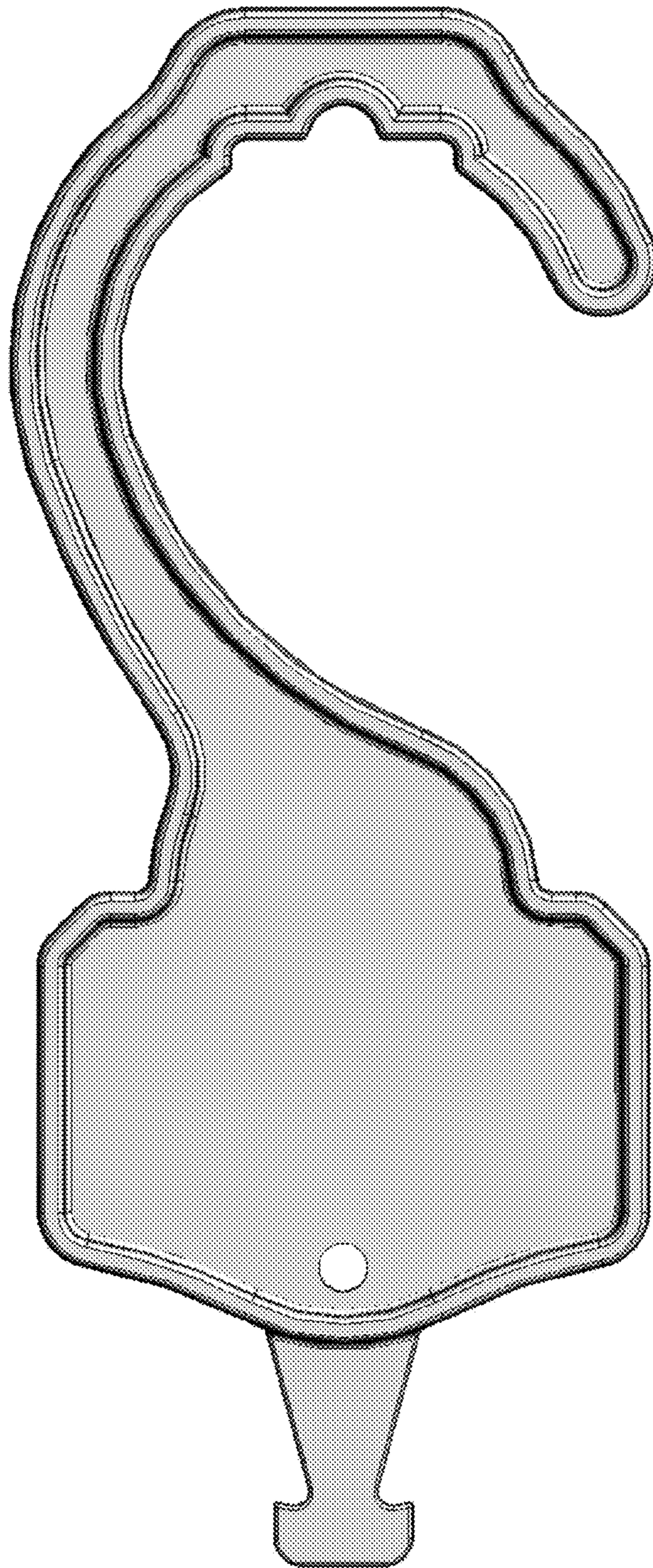


Fig. 4

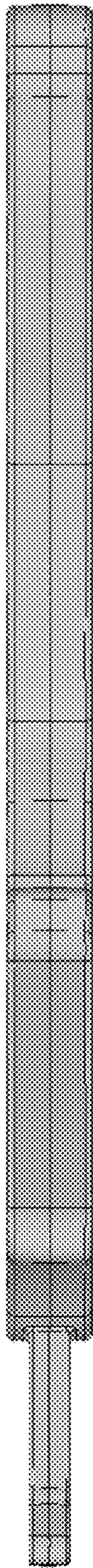


Fig. 5

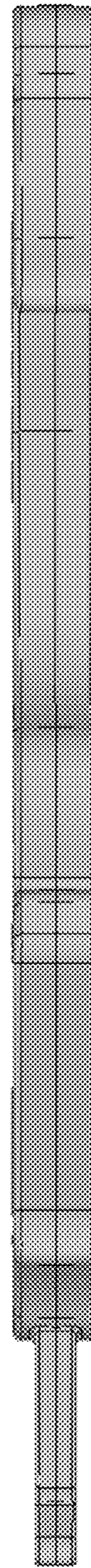


Fig. 6

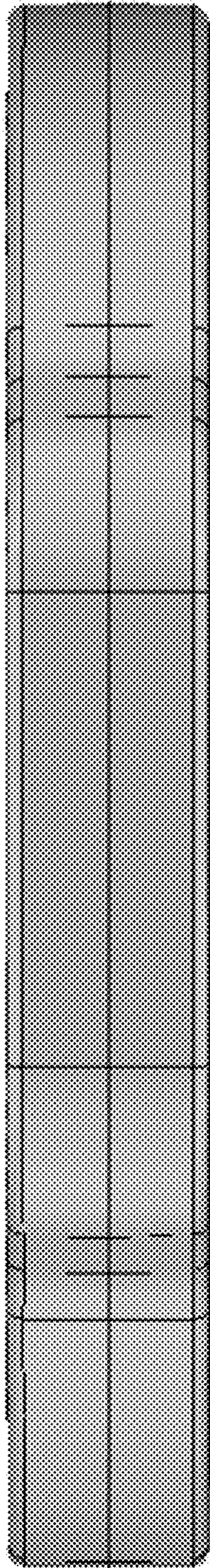


Fig. 7

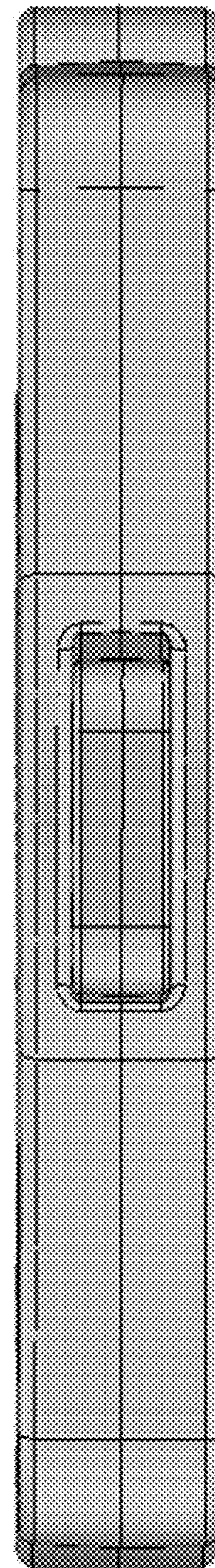


Fig. 8

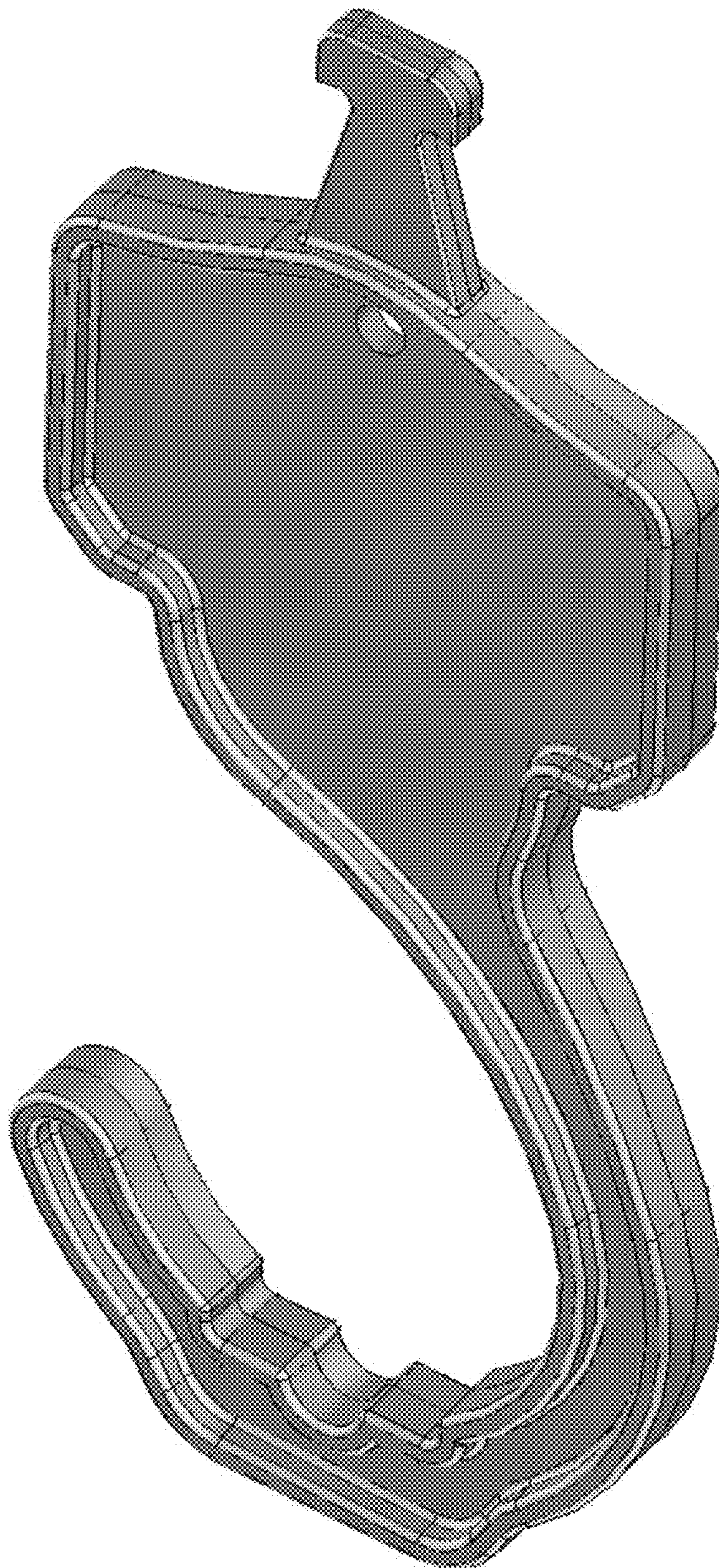


Fig. 9



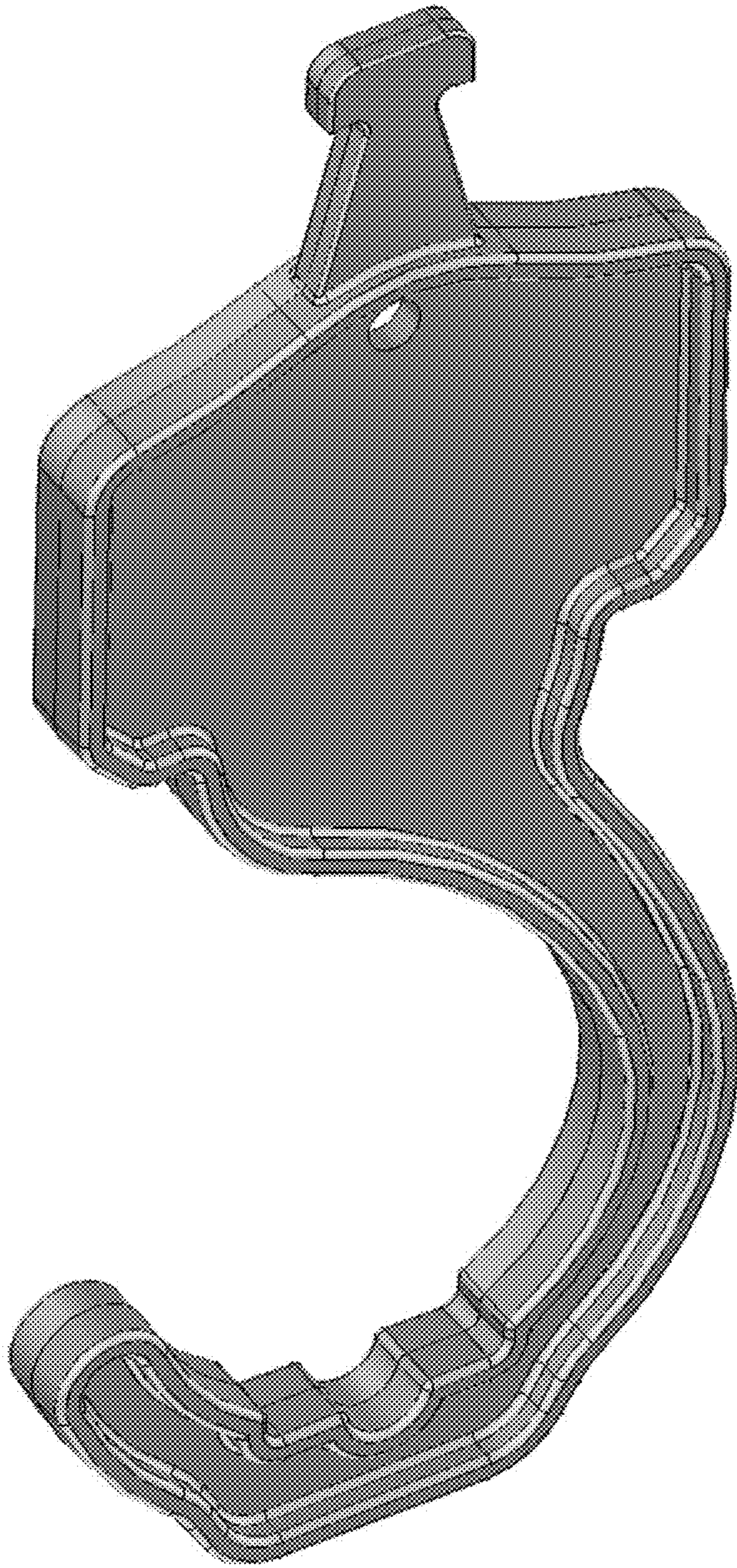


Fig. 10