



US00D962658S

(12) **United States Design Patent**  
**Lu**

(10) **Patent No.:** **US D962,658 S**

(45) **Date of Patent:** **\*\* Sep. 6, 2022**

(54) **DIGITAL PICTURE FRAME**

(71) Applicant: **Shenzhen G-world Technology  
Incorporated Company, Shenzhen  
(CN)**

(72) Inventor: **Yi Lu, Shenzhen (CN)**

(\*\*) Term: **15 Years**

(21) Appl. No.: **29/803,161**

(22) Filed: **Aug. 11, 2021**

(51) **LOC (13) Cl.** ..... **06-07**

(52) **U.S. Cl.**  
USPC ..... **D6/310; D14/371**

(58) **Field of Classification Search**  
USPC ..... D6/300-314; D14/336, 371, 374, 375  
CPC . A47G 1/00; A47G 1/06; A47G 1/005; A47G  
1/0627; A47G 1/0638; A47G 1/14; A47G  
1/141; A47G 1/142; A47G 1/10; A47G  
1/0633

See application file for complete search history.

(56) **References Cited**

**U.S. PATENT DOCUMENTS**

D572,023 S *	7/2008	Park	.....	D14/371
D613,951 S *	4/2010	Tang	.....	D14/371
D636,610 S *	4/2011	Caubel	.....	D6/300
D862,909 S *	10/2019	Zhou	.....	D14/371
D882,966 S *	5/2020	Jiang	.....	D14/371
D891,124 S *	7/2020	Zhou	.....	D6/310

D893,201 S *	8/2020	Jiang	.....	D14/374
D905,974 S *	12/2020	Chen	.....	D14/341
D936,978 S *	11/2021	Peng	.....	D6/308
2010/0084538 A1 *	4/2010	Li	.....	A47G 1/143 248/472
2012/0236475 A1 *	9/2012	Peng	.....	G06F 1/1601 361/679.01

\* cited by examiner

*Primary Examiner* — Deanna L Pratt

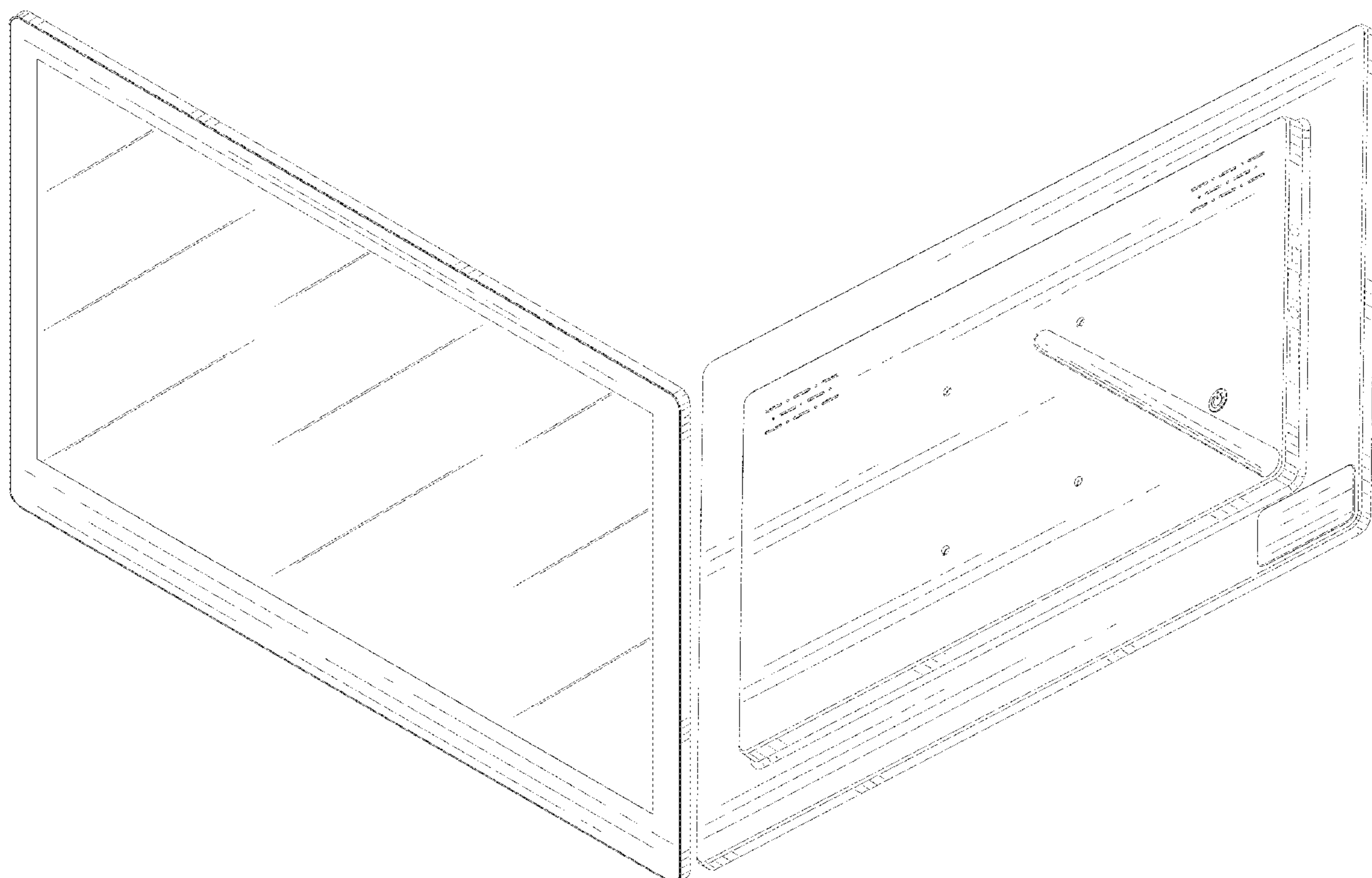
(57) **CLAIM**

The ornamental design for a digital picture frame, as shown and described.

**DESCRIPTION**

FIG. 1 is a front and top perspective view of a digital picture frame, showing my new design;  
 FIG. 2 is a rear and bottom perspective view thereof;  
 FIG. 3 is a front elevation view thereof;  
 FIG. 4 is a rear elevation view thereof;  
 FIG. 5 is a left side elevation view thereof;  
 FIG. 6 is a right side elevation view thereof;  
 FIG. 7 is a top plan view thereof; and,  
 FIG. 8 is a bottom plan view thereof.  
 The broken lines in the figures illustrate portions of the digital picture frame that form no part of the claimed design.

**1 Claim, 8 Drawing Sheets**



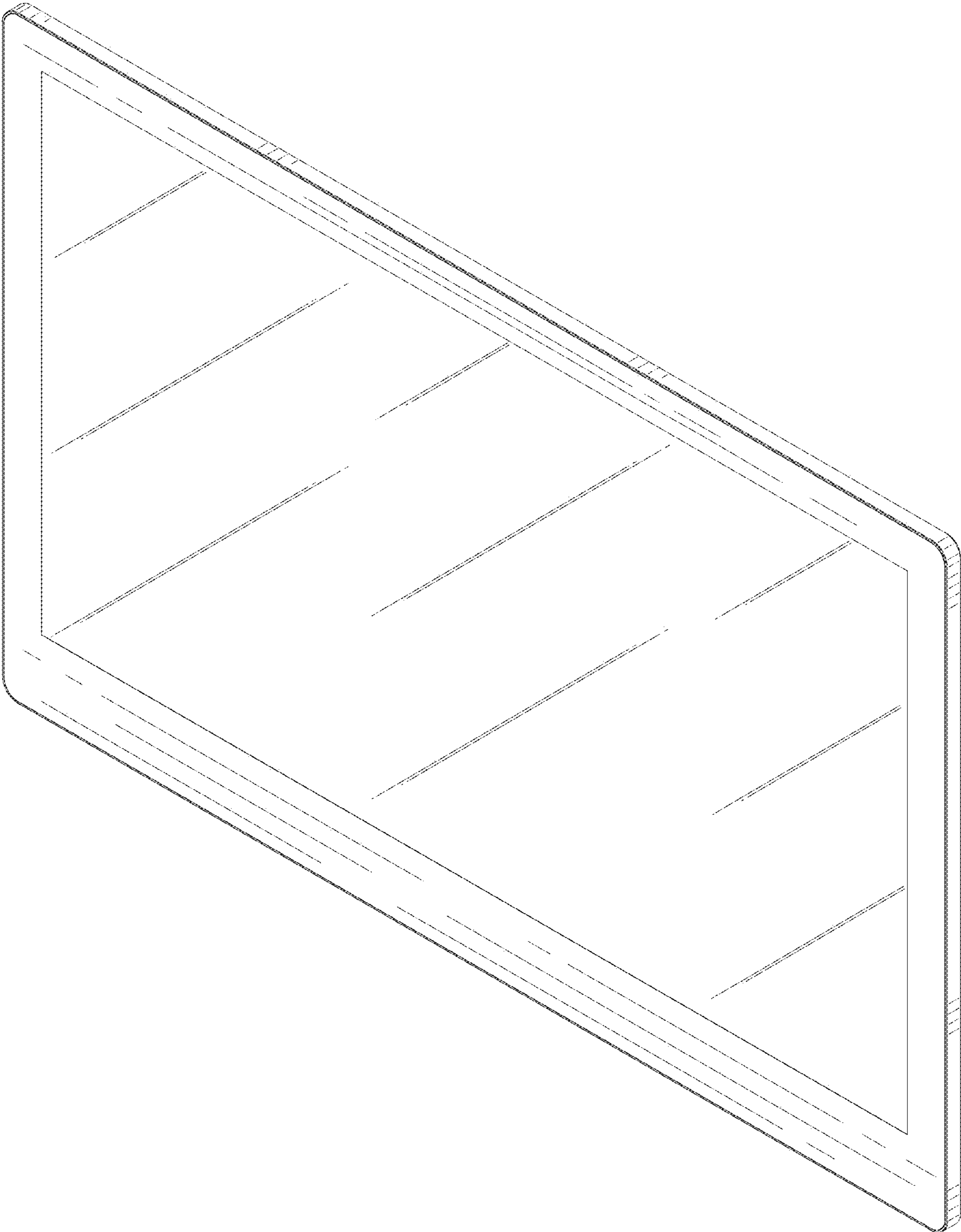


FIG. 1

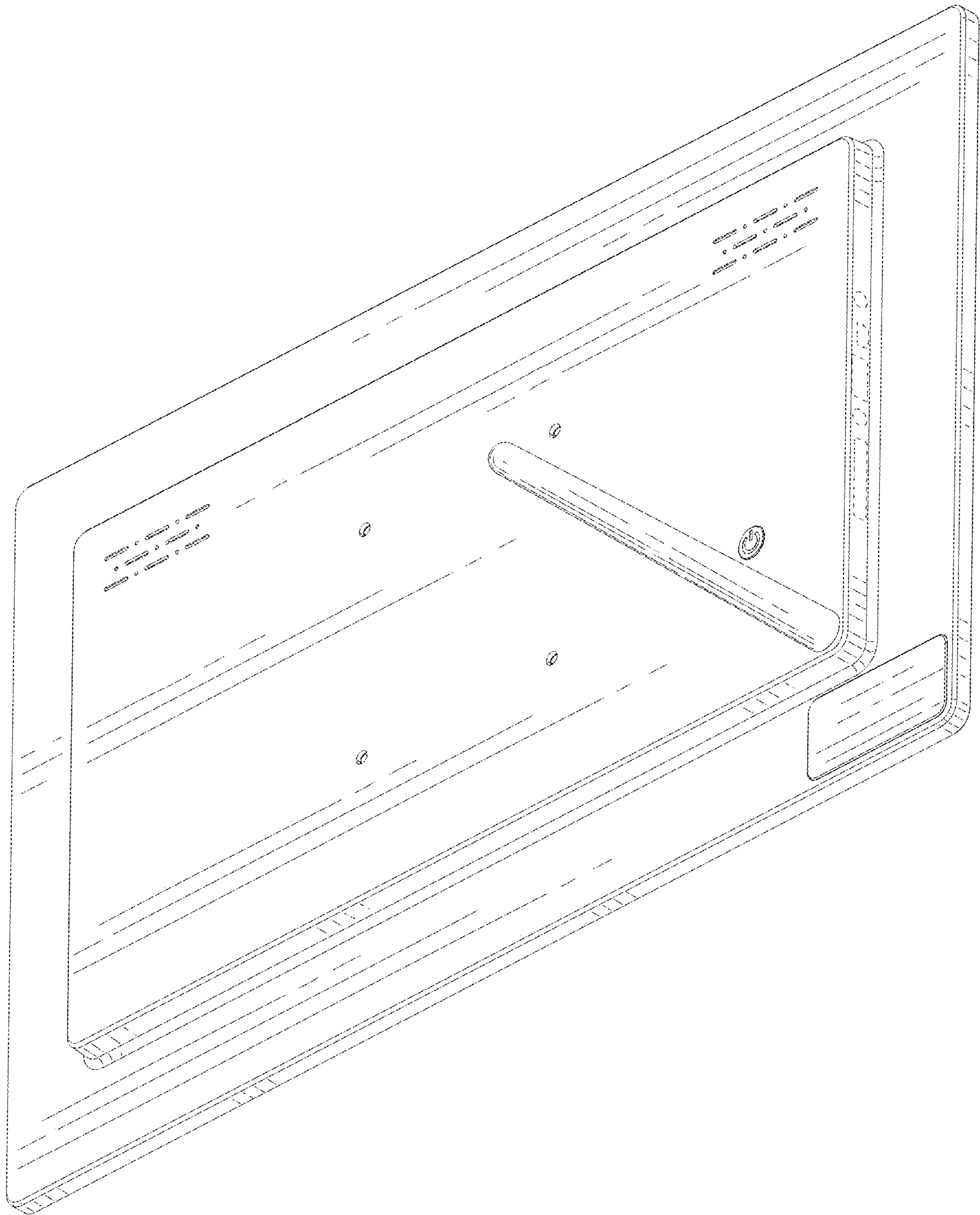


FIG. 2

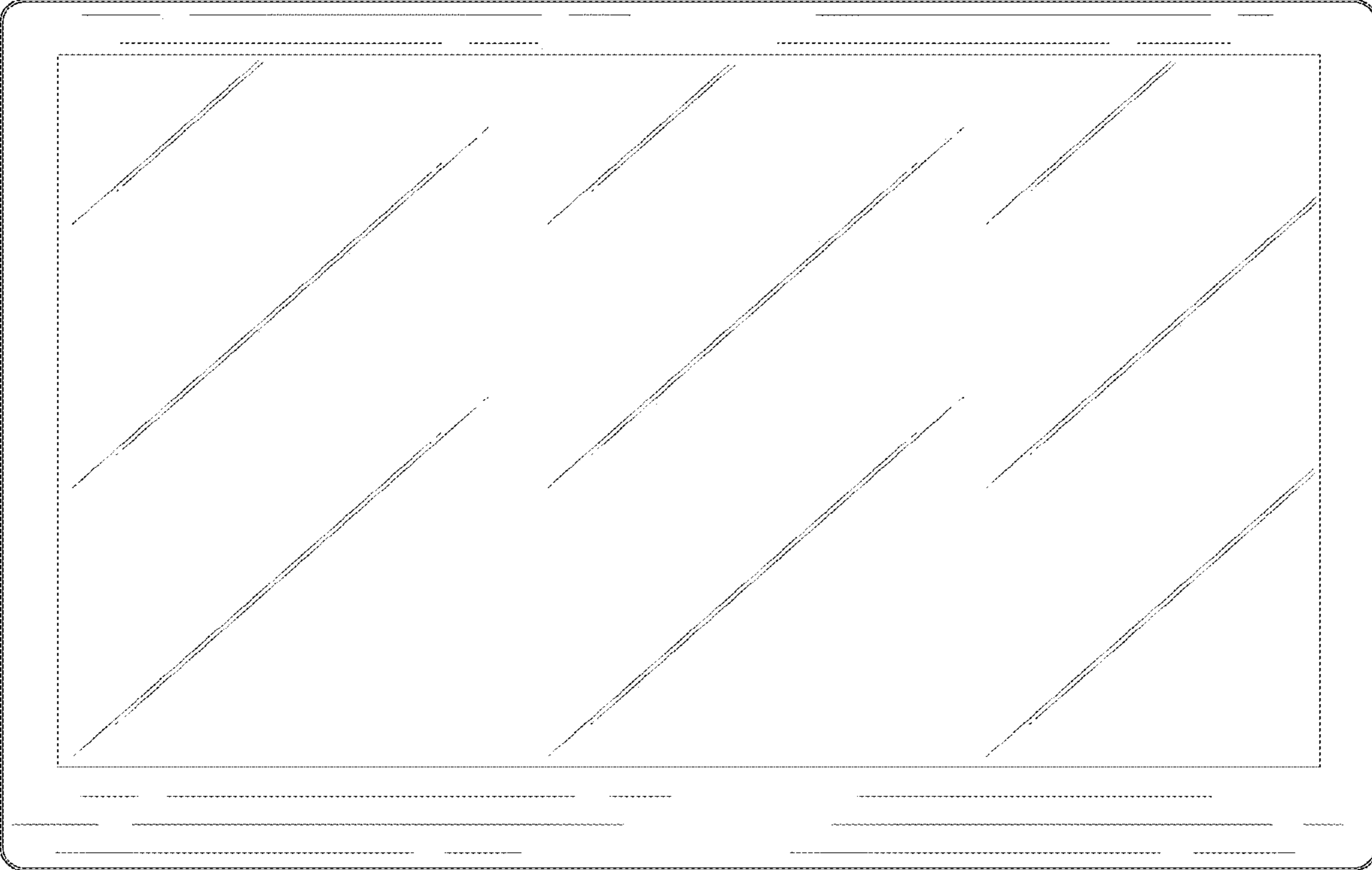


FIG. 3



FIG. 4

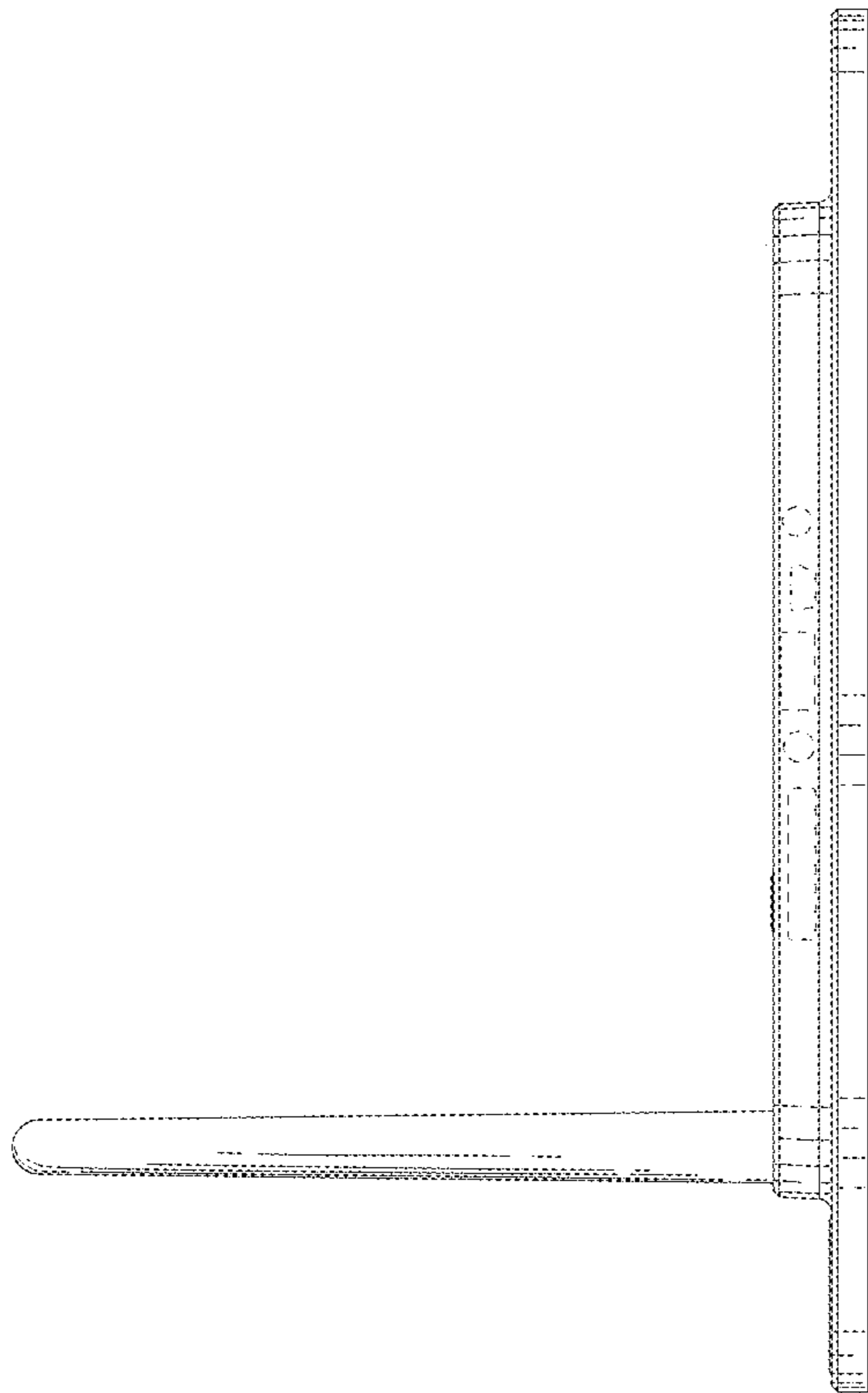


FIG. 5

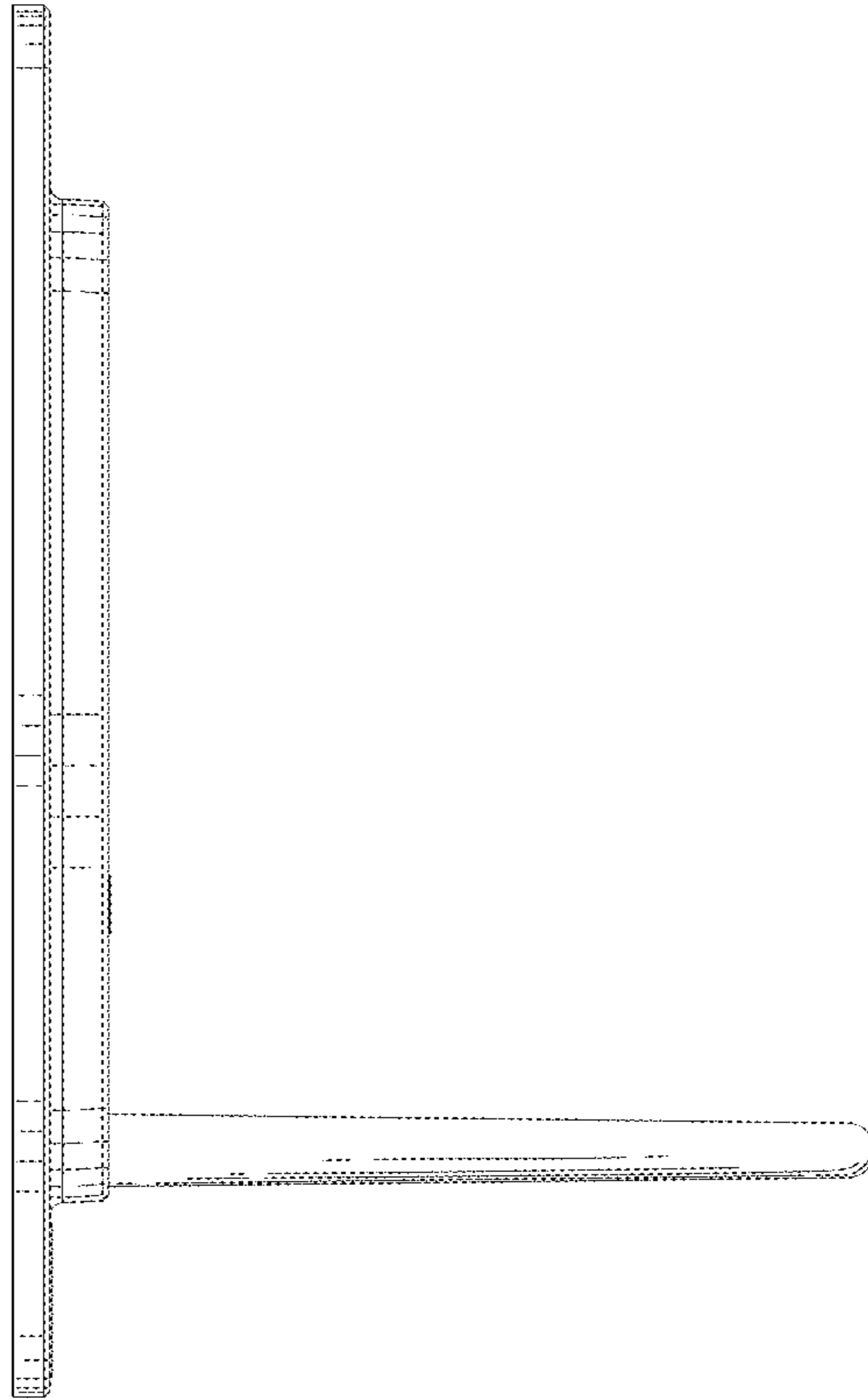


FIG. 6

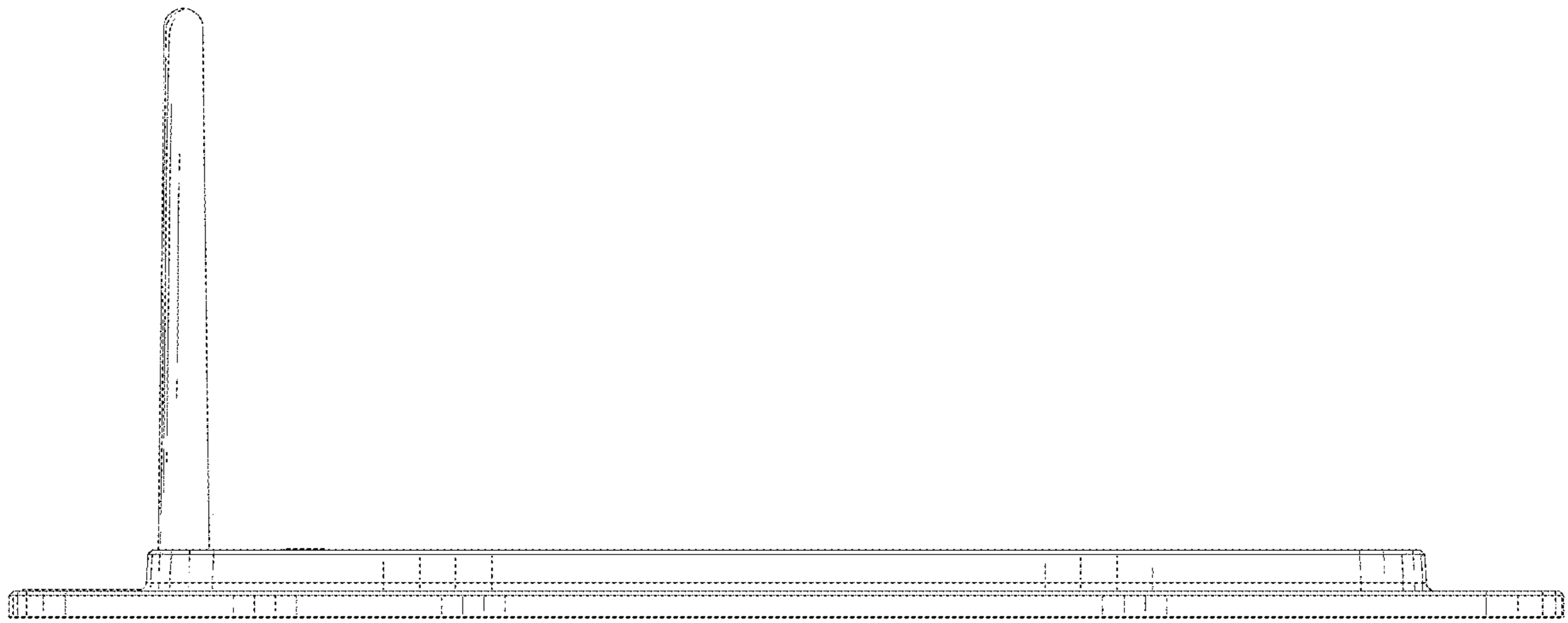


FIG. 7



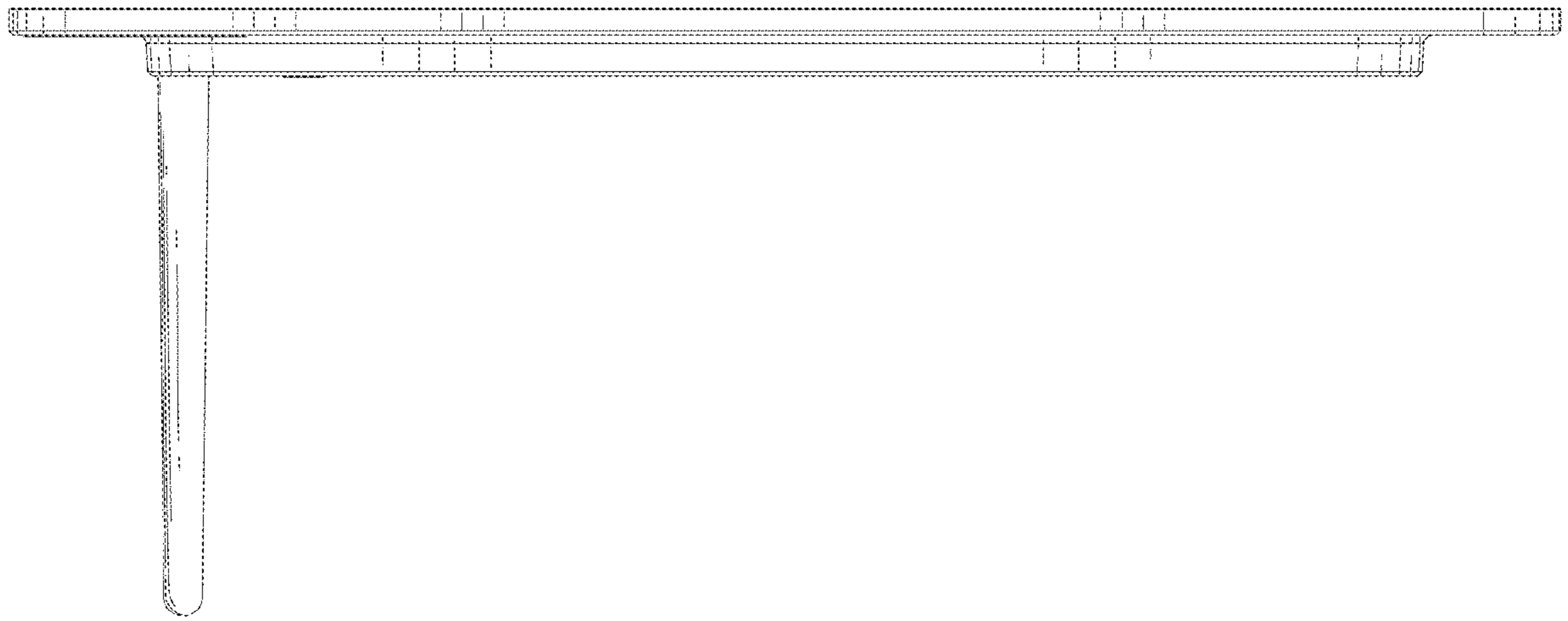


FIG. 8