



US00D962656S

(12) **United States Design Patent** (10) **Patent No.:** **US D962,656 S**
Wang (45) **Date of Patent:** **** Sep. 6, 2022**

(54) **DIGITAL FRAME**
(71) Applicant: **Shenzhen Renmei Plastic Cement Electronic Co., Ltd., Shenzhen (CN)**
(72) Inventor: **Huailu Wang, Ganzhou (CN)**
(**) Term: **15 Years**
(21) Appl. No.: **29/800,216**
(22) Filed: **Jul. 20, 2021**
(51) **LOC (13) Cl.** **06-07**
(52) **U.S. Cl.**
USPC **D6/308**
(58) **Field of Classification Search**
USPC D6/300, 301, 302, 303, 304, 307, 308, D6/309, 310, 311, 312, 313, 314; D10/15, 21, 24; D14/336, 341, 371, 372, D14/374, 381, 382, 448, 450; D20/10, D20/27
CPC A47G 1/06; A47G 1/0605; A47G 1/0616; A47G 1/0638; A47G 1/08; A47G 1/14; A47G 1/142; A47G 1/16; A47G 1/1613; A47G 2001/0688; A47G 2001/0694; A47G 2001/148; G09G 2380/16
See application file for complete search history.

D862,909 S * 10/2019 Zhou D14/371
D901,192 S * 11/2020 Wang D14/371
D936,978 S * 11/2021 Peng D6/308

FOREIGN PATENT DOCUMENTS

CN 307255933 * 4/2022

OTHER PUBLICATIONS

Dragon Touch Digital Picture Frame [online], [site visited May 2, 2022]. Available from internet, URL: <https://www.amazon.com/Dragon-Touch-Digital-Picture-Auto-Rotate/dp/B0815ZZ29C?ref_ast_sto_dp&th=1> (Year: 2019).*
YunQiDeer Digital Picture Frame [online], [site visited May 2, 2022]. Available from internet, URL: <https://www.amazon.com/YunQiDeer-Digital-Picture-Display-Instantly/dp/B09CT997WL/> (Year: 2021).*

* cited by examiner

Primary Examiner — Cynthia Ramirez
Assistant Examiner — Xavier Marti-Santos

(57) **CLAIM**

The ornamental design for a digital frame, as shown and described.

DESCRIPTION

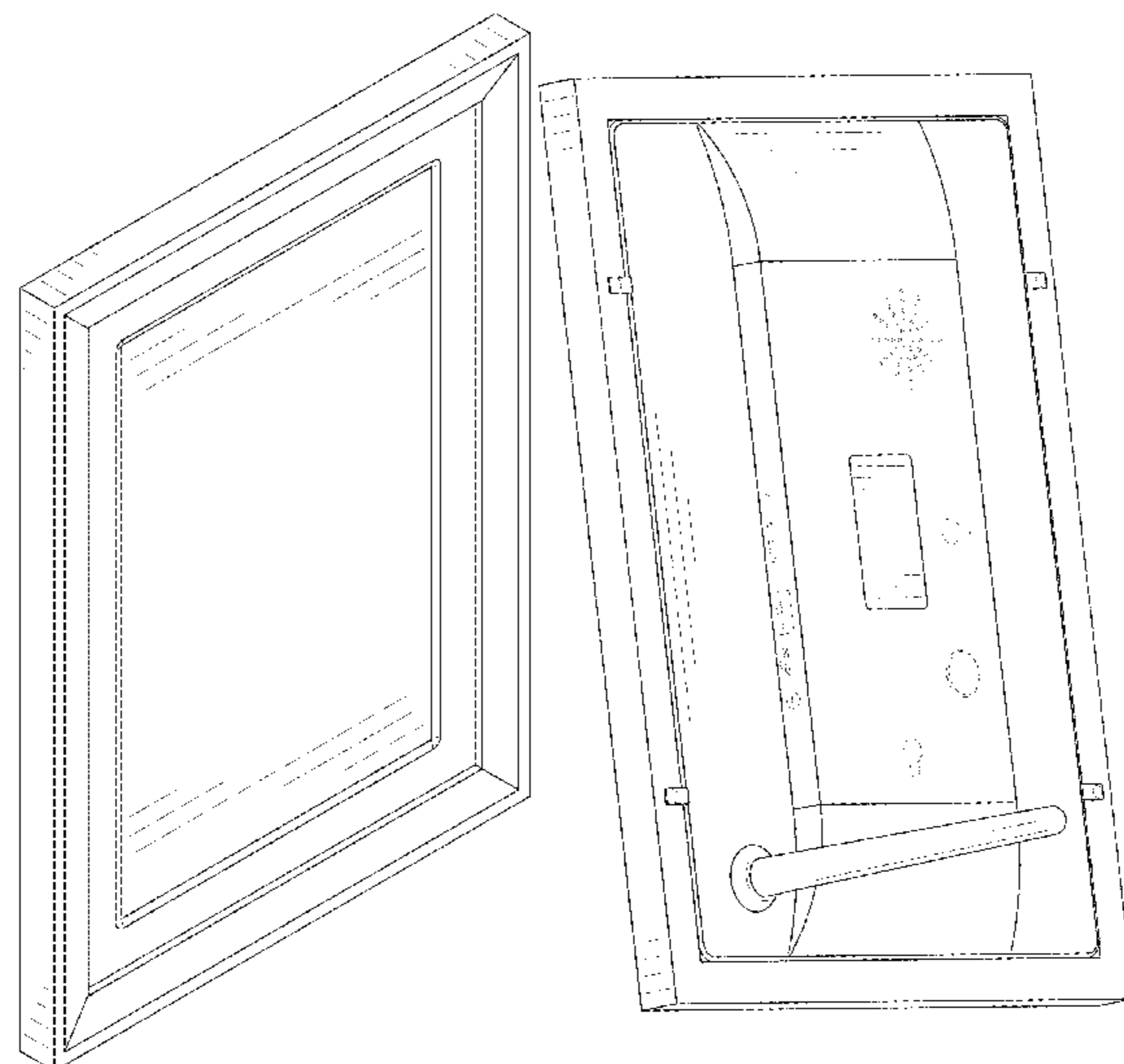
FIG. 1 is a first perspective view of a digital frame showing my new design;
FIG. 2 is a second perspective view thereof;
FIG. 3 is a front view thereof;
FIG. 4 is a back view thereof;
FIG. 5 is a left side view thereof;
FIG. 6 is a right side view thereof;
FIG. 7 is a top view thereof; and,
FIG. 8 is a bottom view thereof.
The broken lines shown in the drawings depict portions of the digital frame in which the design is embodied that form no part of the claimed design.

1 Claim, 8 Drawing Sheets

(56) **References Cited**

U.S. PATENT DOCUMENTS

D560,371 S * 1/2008 Liu D6/300
D572,023 S * 7/2008 Park D14/371
D577,207 S 9/2008 Tsai
D583,572 S 12/2008 Zhai et al.
D591,518 S 5/2009 Zhai et al.
D597,974 S * 8/2009 Iseki D14/126
D600,456 S * 9/2009 Son D14/371
D610,355 S * 2/2010 Chigira D14/374
D610,356 S * 2/2010 Hoehn D6/310
D625,929 S * 10/2010 Mitchell D14/371
D636,610 S * 4/2011 Caubel D6/300
D637,822 S * 5/2011 Utsunomiya D6/310
D834,429 S * 11/2018 Jiang D10/3



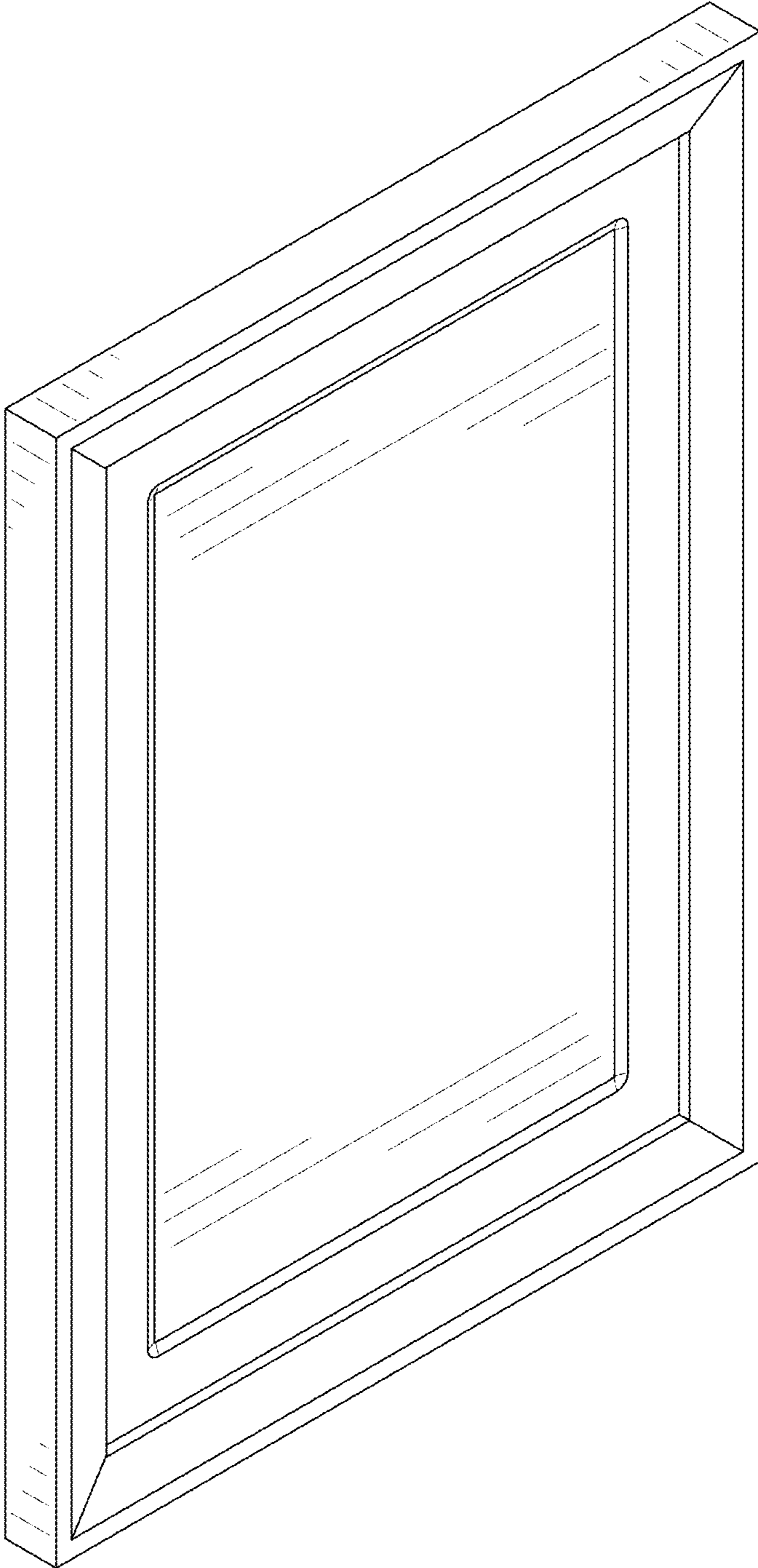


FIG. 1

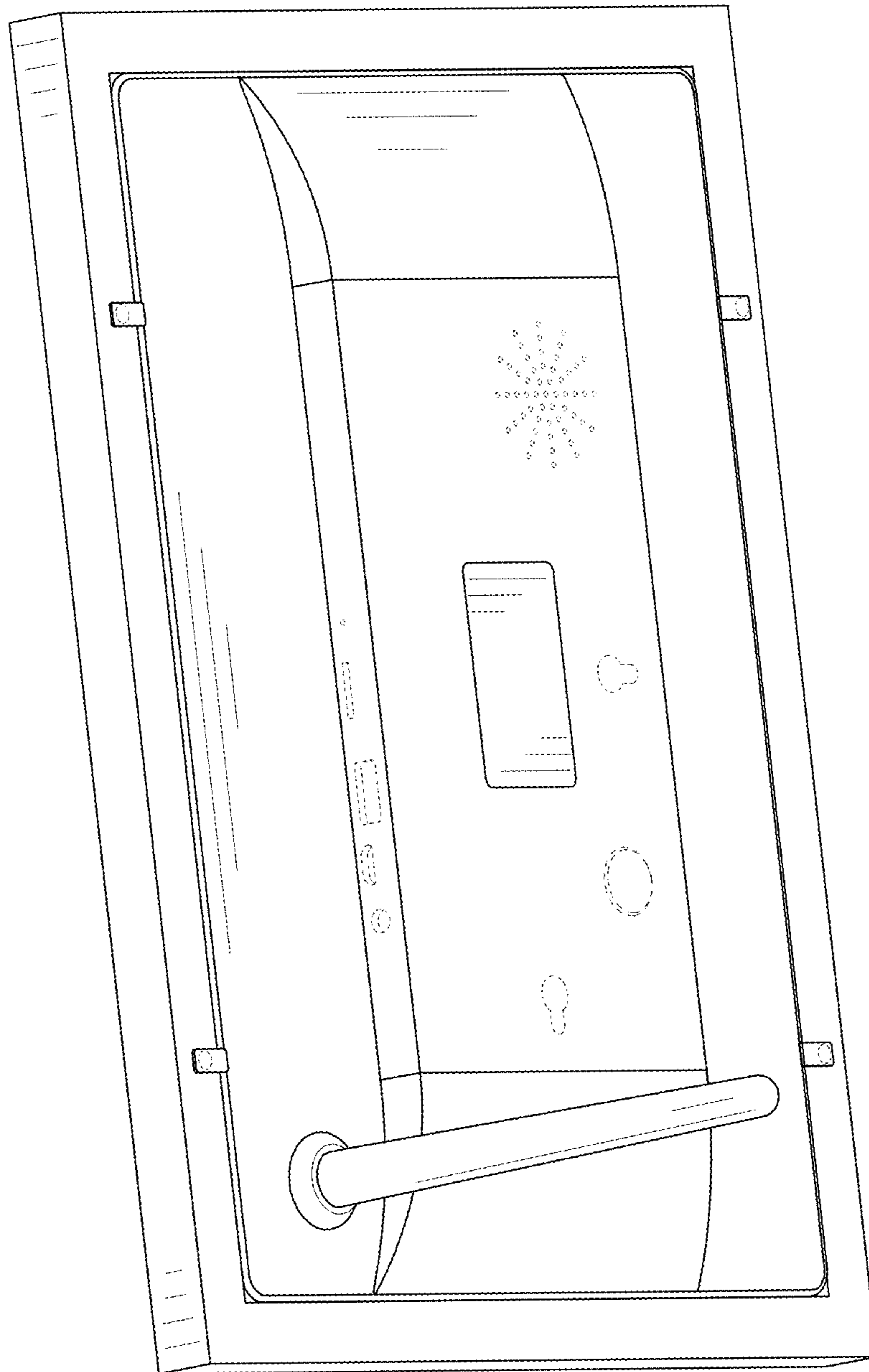


FIG. 2

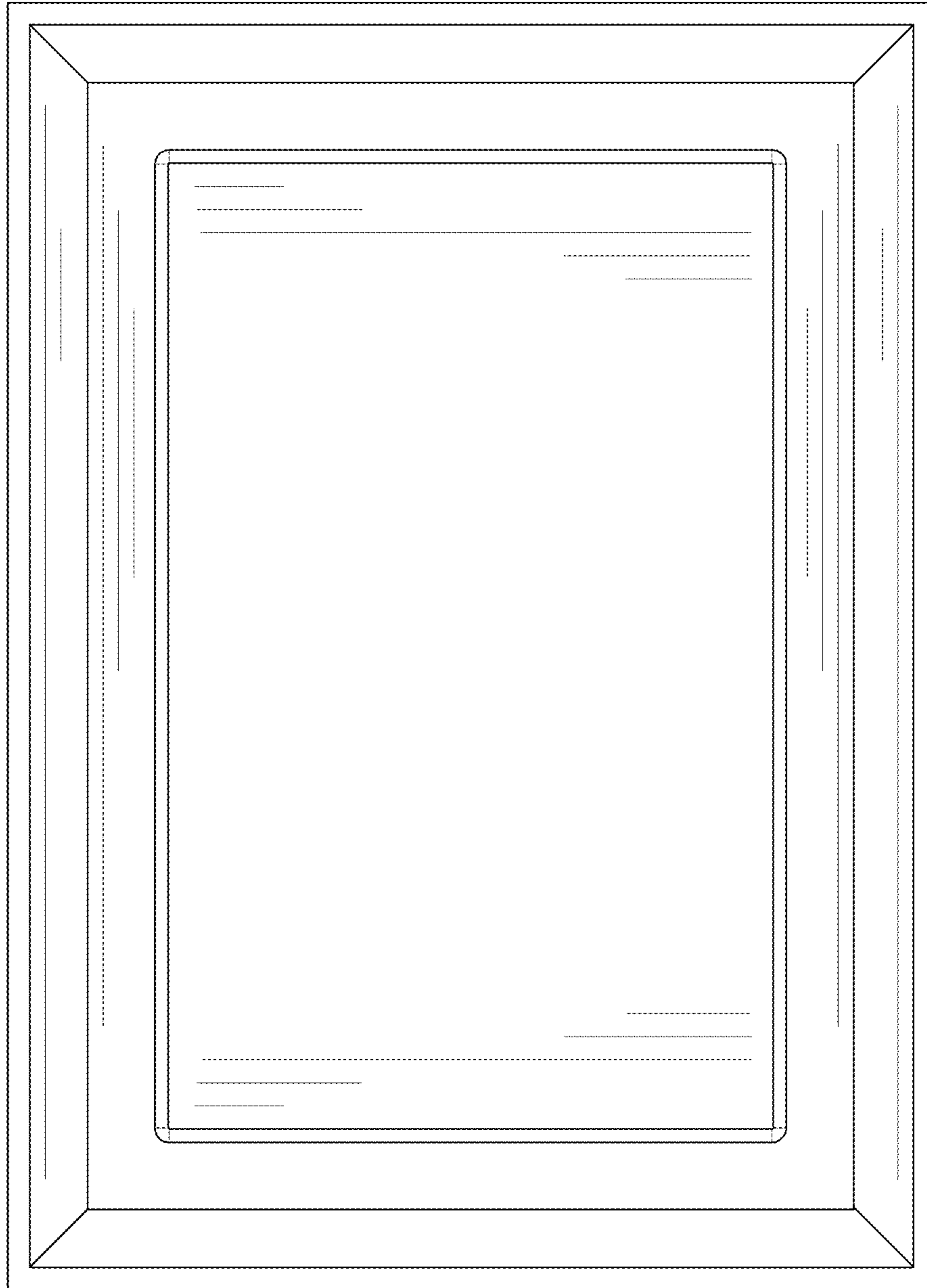


FIG. 3

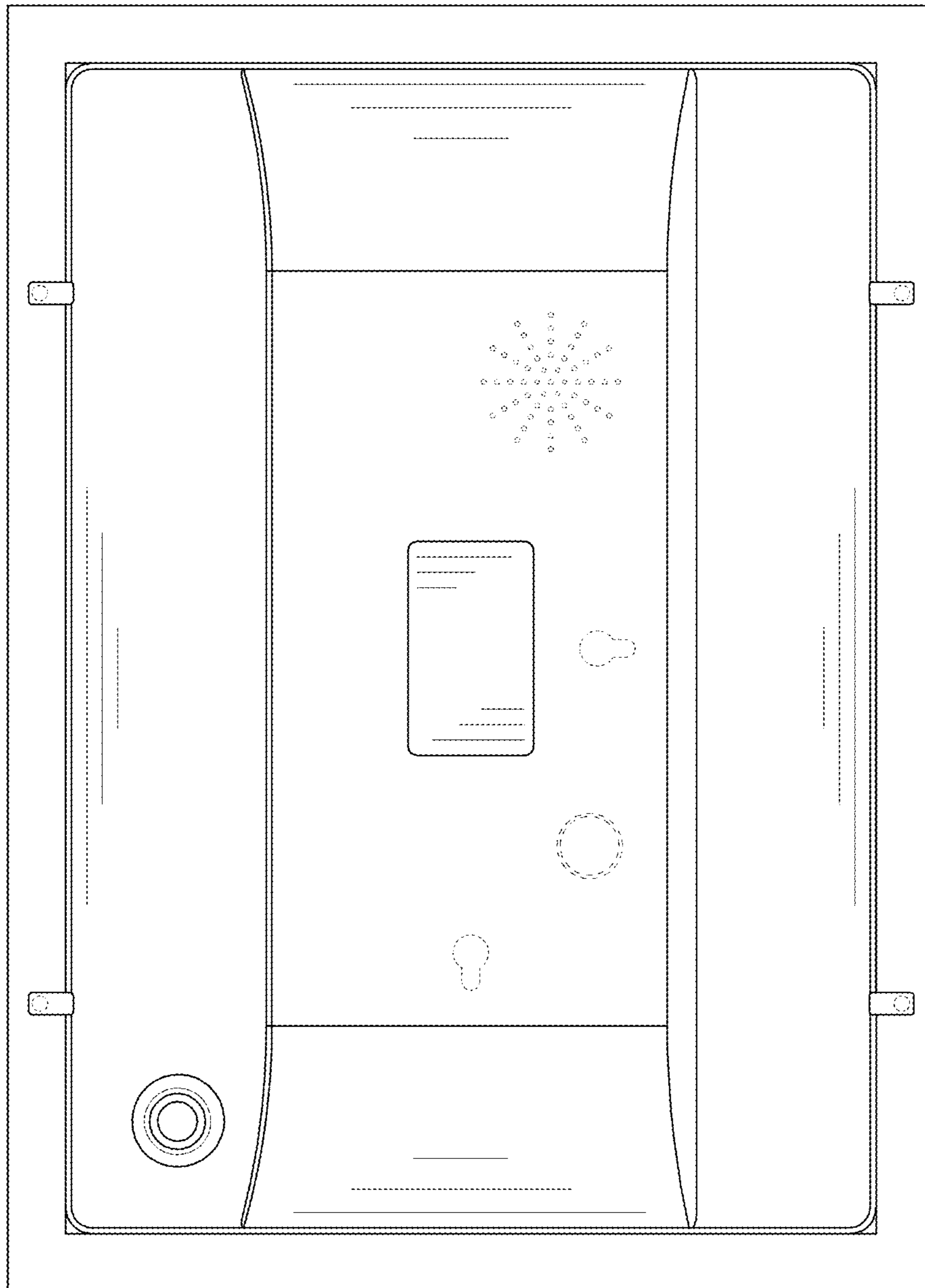


FIG. 4

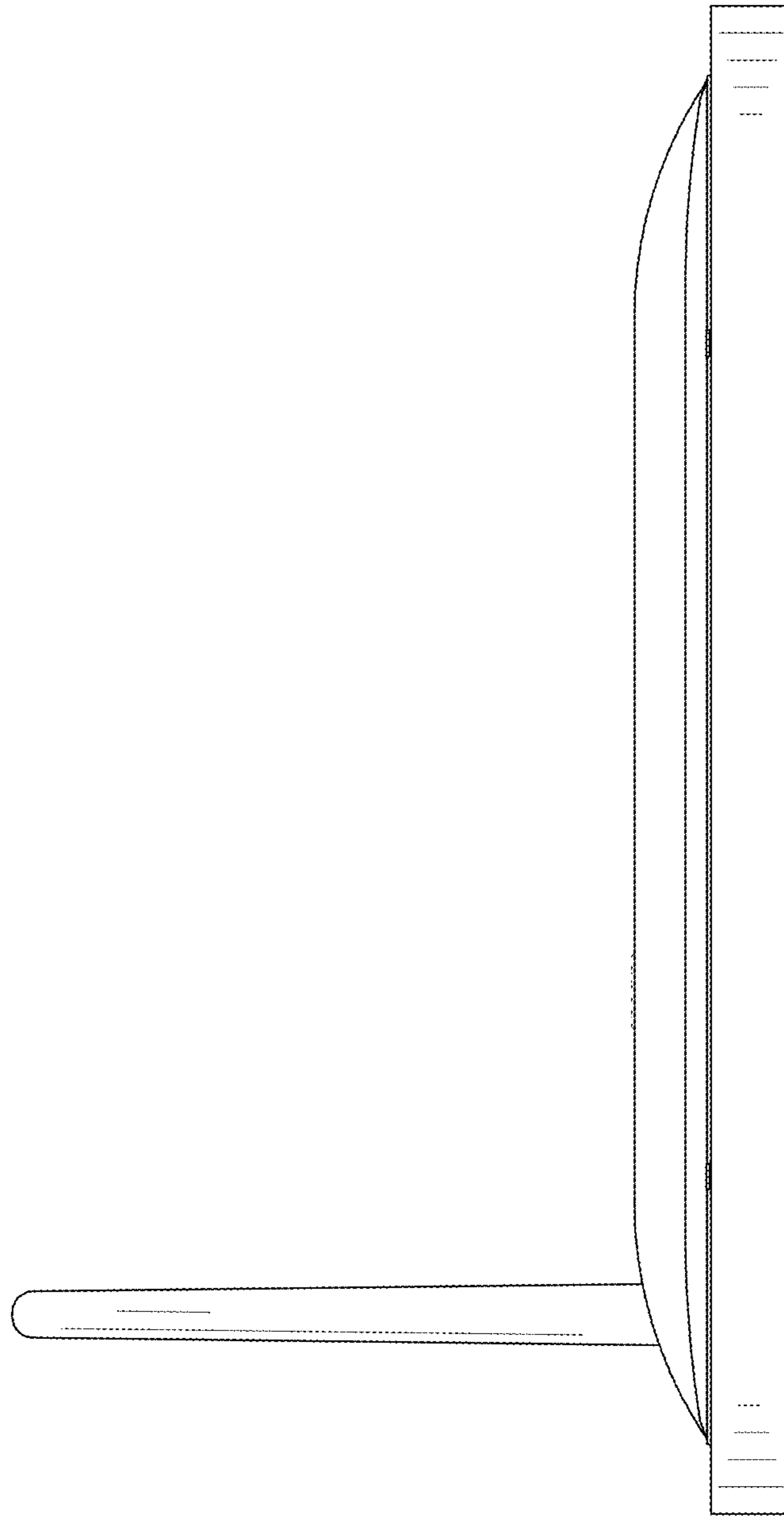


FIG. 5

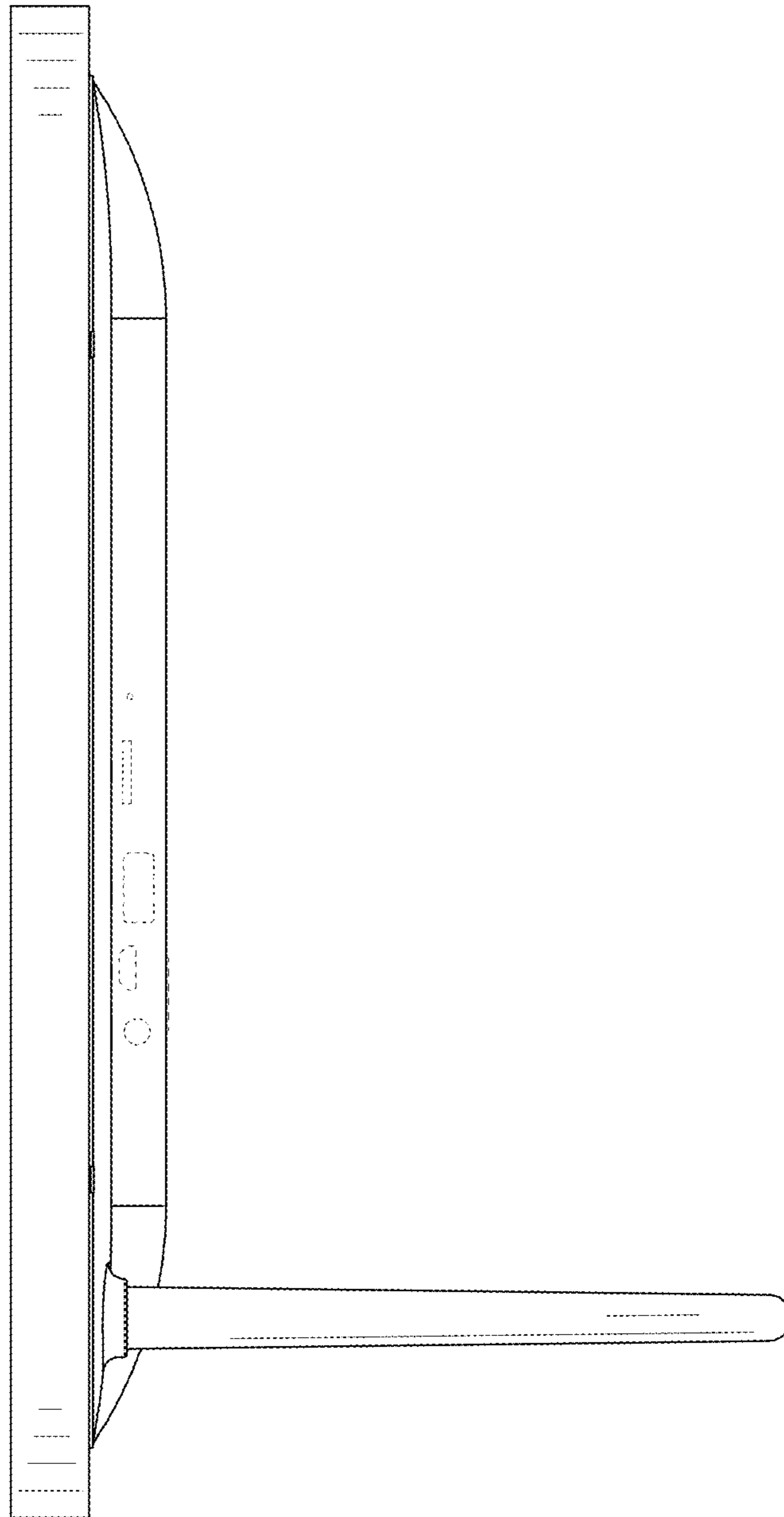


FIG. 6

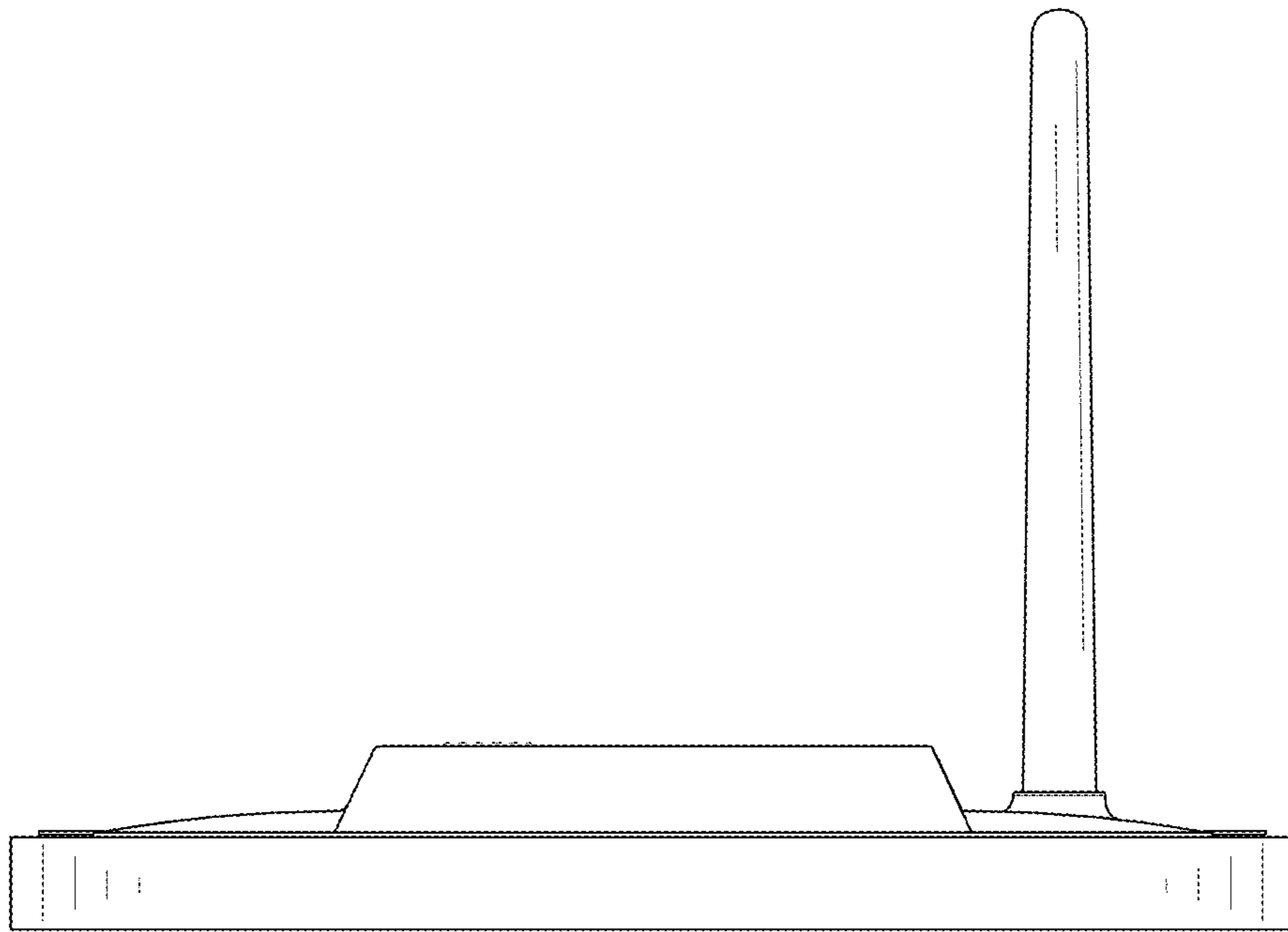


FIG. 7

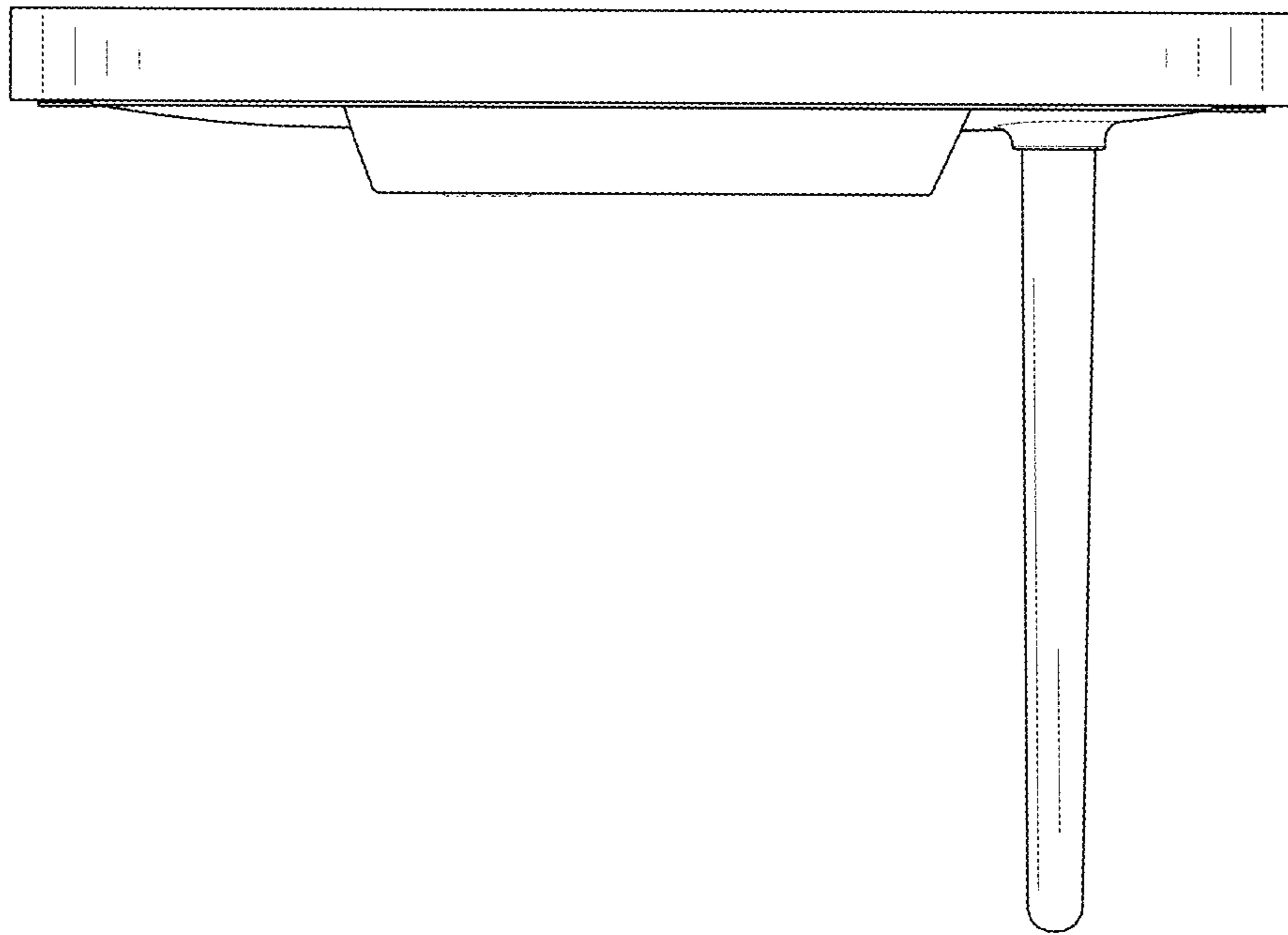


FIG. 8