

US00D962652S

(12) **United States Design Patent**  
**Yang**

(10) **Patent No.:** **US D962,652 S**  
(45) **Date of Patent:** **\*\* Sep. 6, 2022**

(54) **COMB**

(71) Applicant: **GUANGZHOU ESHINE-STAR HAIR BEAUTY PRODUCTS CO., LTD.**,  
Guangzhou (CN)

(72) Inventor: **Binjiang Yang**, Loudi (CN)

(73) Assignee: **GUANGZHOU ESHINE-STAR HAIR BEAUTY PRODUCTS CO., LTD.**,  
Guangzhou (CN)

(\*\*) Term: **15 Years**

(21) Appl. No.: **29/772,594**

(22) Filed: **Mar. 3, 2021**

(30) **Foreign Application Priority Data**

Feb. 4, 2021 (CN) ..... 202130081743.7

(51) **LOC (13) Cl.** ..... **04-02**

(52) **U.S. Cl.**  
USPC ..... **D4/119; D4/134**

(58) **Field of Classification Search**  
USPC ..... D4/100, 102, 114, 115, 116, 117, 118,  
D4/119, 120, 121, 127, 129, 130, 132,  
D4/134, 135, 136, 137, 138, 199  
CPC ..... A46B 9/023; A46B 9/02; A46B 2200/104;  
A46B 15/0087

See application file for complete search history.

(56) **References Cited**

**U.S. PATENT DOCUMENTS**

D140,983 S \* 4/1945 Gronemeyer ..... D4/138  
D775,839 S \* 1/2017 Rennette ..... D4/138  
D895,981 S \* 9/2020 Rennette ..... D4/138  
D903,333 S \* 12/2020 Choi ..... D4/134  
D919,976 S \* 5/2021 Rennette ..... D4/138

D919,977 S \* 5/2021 Rennette ..... D4/138  
D935,197 S \* 11/2021 Rennette ..... D4/134  
2008/0230082 A1 \* 9/2008 Malka ..... A46B 17/06  
132/119.1

**FOREIGN PATENT DOCUMENTS**

CN 306471934 \* 4/2021  
GB 9002503292-0001 \* 7/2014

(Continued)

**OTHER PUBLICATIONS**

Video of Professional Women hair scalp massage brush . . . by Guangzhou Eshine-Star Hair Beauty Products [on-line]. [Original date of publication unknown.] [Viewed on the Internet Jun. 18, 2022.] URL: <[https://www.alibaba.com/product-detail/Professional-Women-hair-scalp-massage-brush\\_1600512501073.html?spm=a2700.shop\\_plgr.41413.26.2bf86573hHXmZe](https://www.alibaba.com/product-detail/Professional-Women-hair-scalp-massage-brush_1600512501073.html?spm=a2700.shop_plgr.41413.26.2bf86573hHXmZe)> (Year: 2022).\*

(Continued)

*Primary Examiner* — Karen E Eldridge Powers

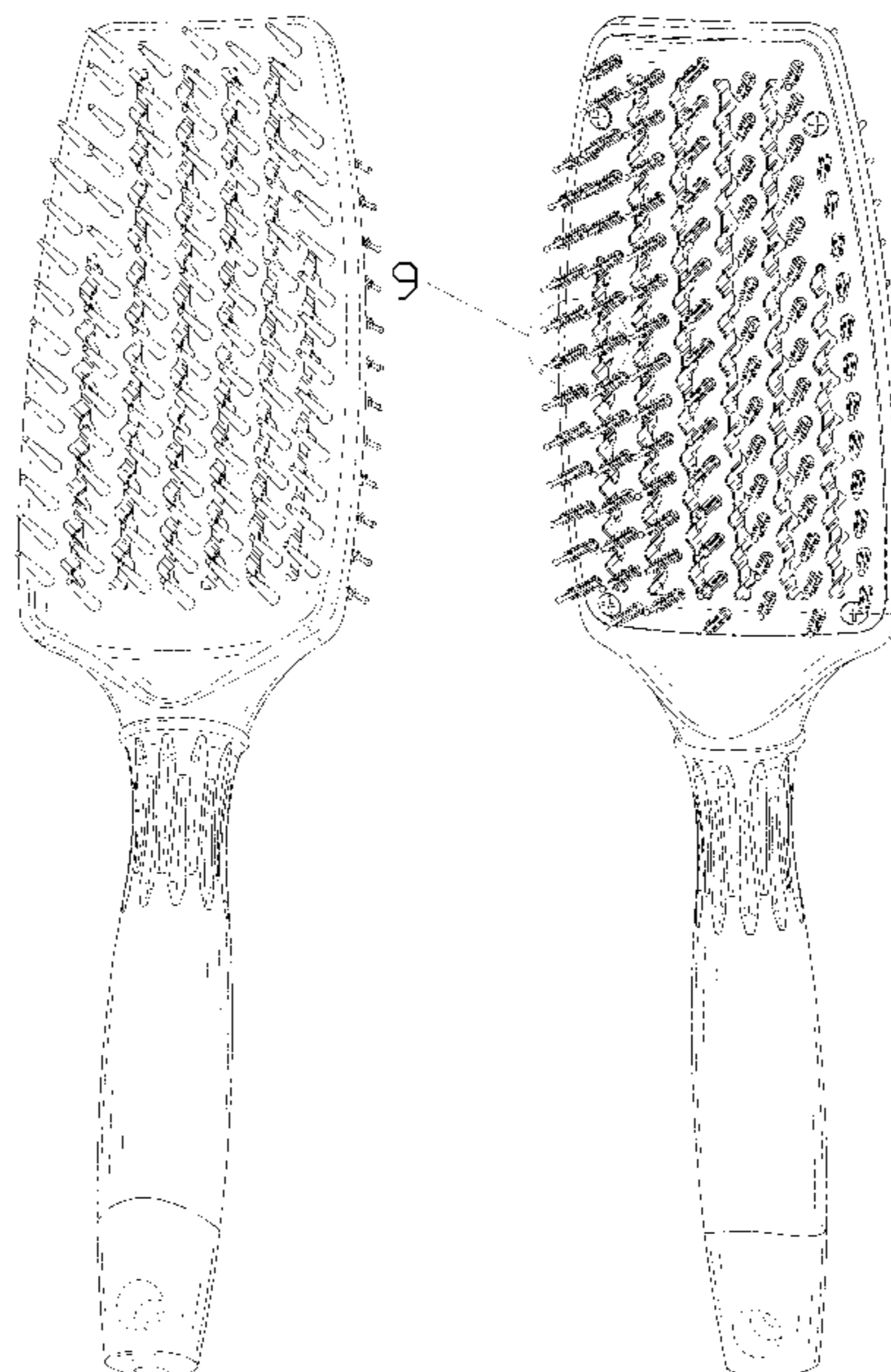
(57) **CLAIM**

The ornamental design for a comb, as shown and described.

**DESCRIPTION**

FIG. 1 is a bottom, front and left side perspective view of a double-sided comb showing my new design; FIG. 2 is a top, rear and right side perspective view thereof; FIG. 3 is a front elevational view thereof; FIG. 4 is a rear elevational view thereof; FIG. 5 is a left side elevational view thereof; FIG. 6 is a right side elevational view thereof; FIG. 7 is a top plan view thereof; FIG. 8 is a bottom plan view thereof; and, FIG. 9 is an enlarged view of portion 9 shown in FIG. 2. The broken lines in the drawings depict portions of the comb that form no part of the claimed design.

**1 Claim, 9 Drawing Sheets**



(56)

**References Cited**

FOREIGN PATENT DOCUMENTS

KR 301063283.0000 \* 6/2020  
KR 301081988.0000 \* 11/2020

OTHER PUBLICATIONS

Professional Women hair scalp massage brush . . . by Guangzhou Eshine-Star Hair Beauty Products [on-line]. [Original date of publication unknown.] [Retrieved from the Internet on Jun. 18, 2022.] URL: <[https://www.alibaba.com/product-detail/Professional-Women-hair-scalp-massage-brush\\_1600512501073.html?spm=a2700.shop\\_plgr.41413.26.2bf86573hHXmZe](https://www.alibaba.com/product-detail/Professional-Women-hair-scalp-massage-brush_1600512501073.html?spm=a2700.shop_plgr.41413.26.2bf86573hHXmZe)> (Year: 2022).\*

\* cited by examiner

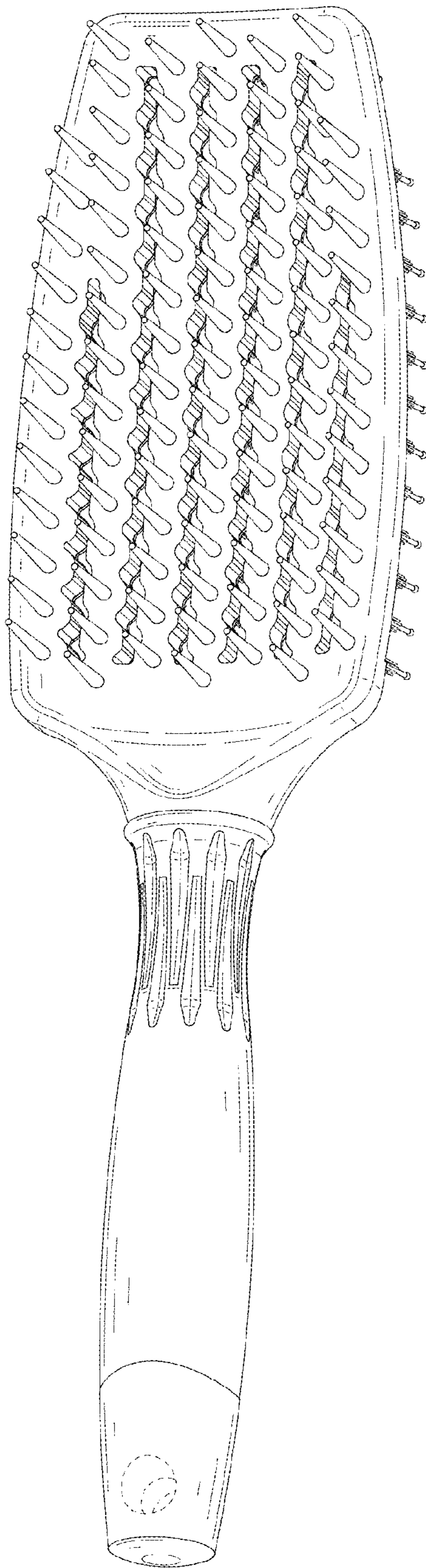


FIG. 1

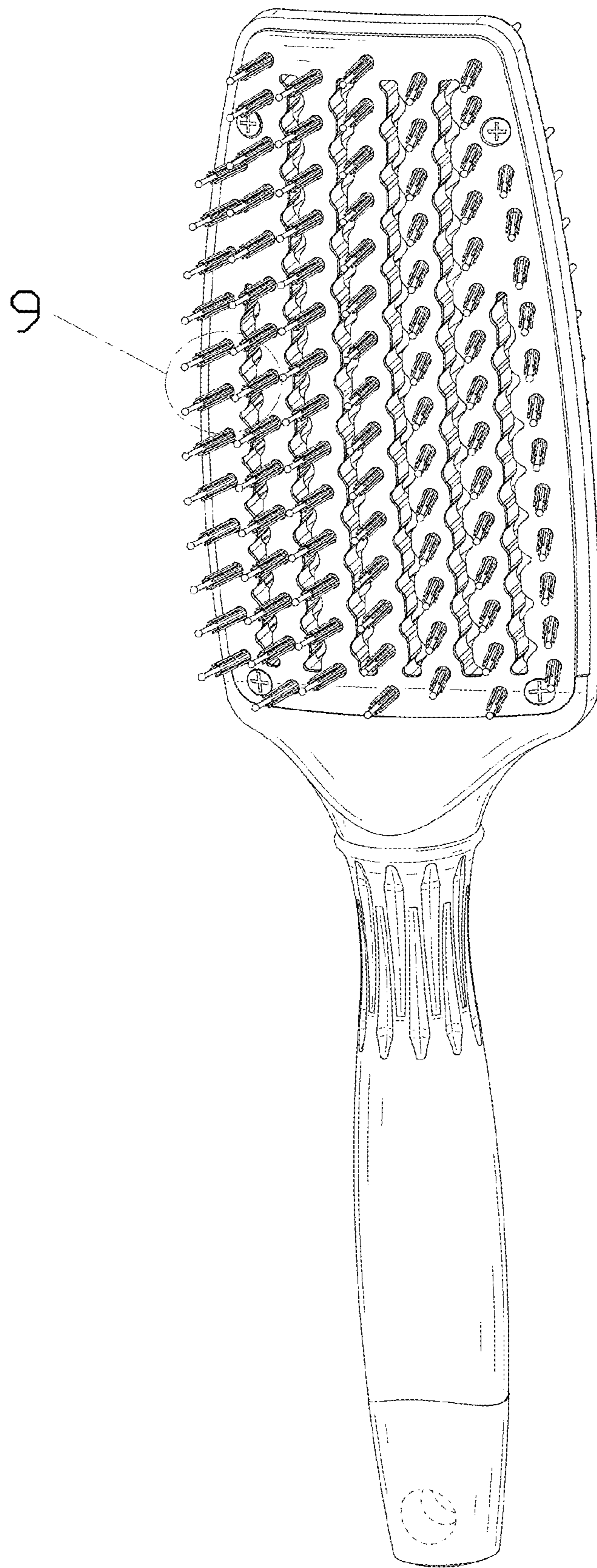


FIG. 2

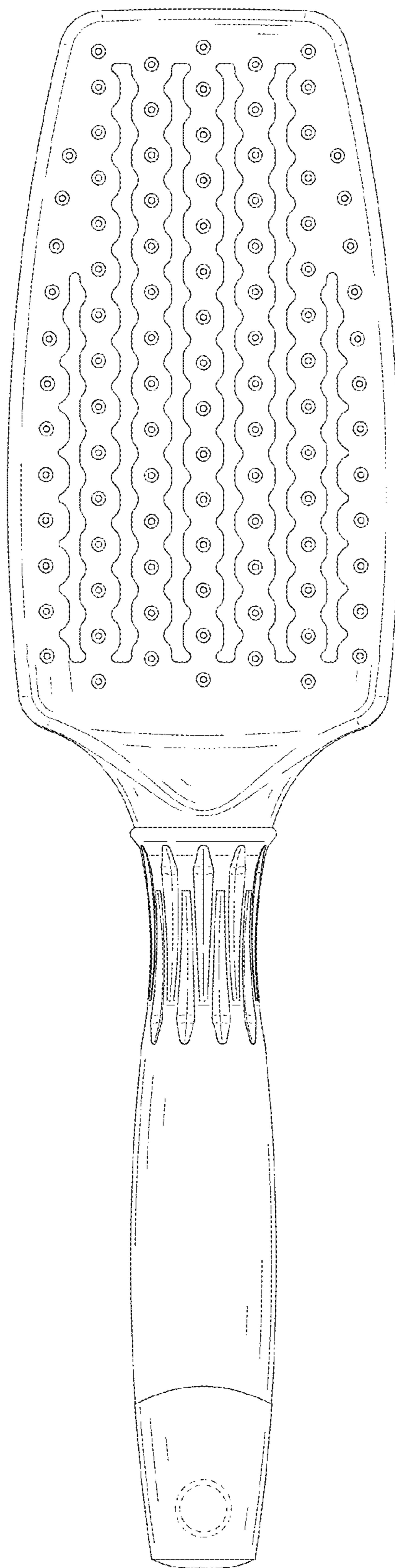


FIG. 3

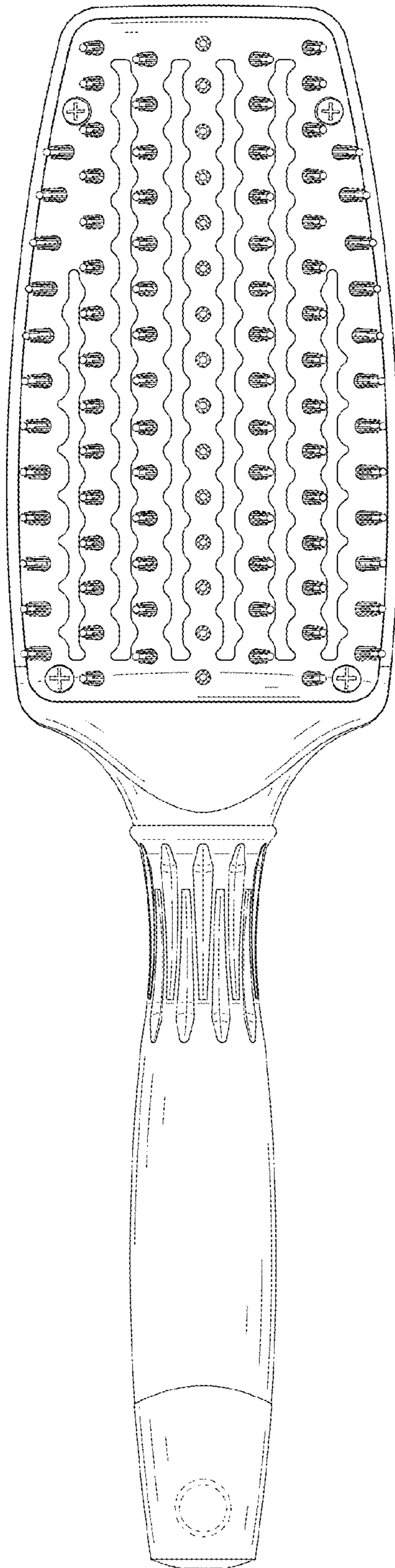


FIG. 4

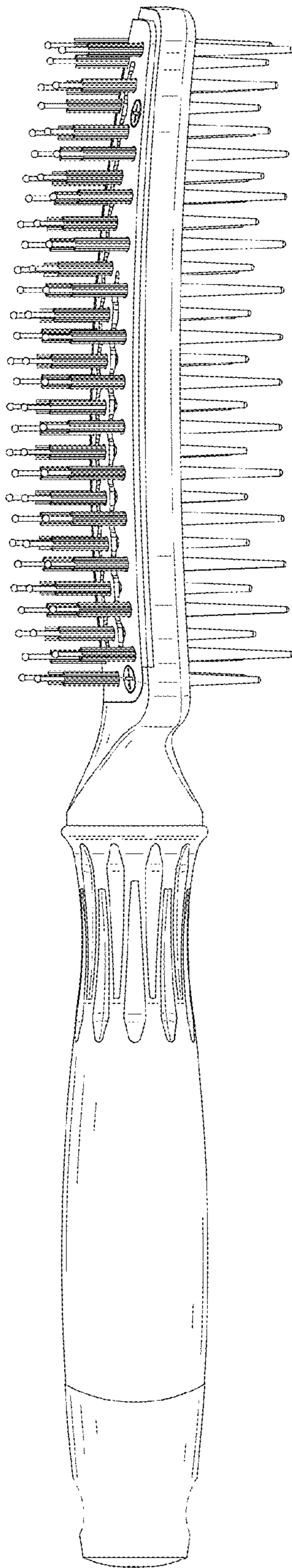


FIG. 5

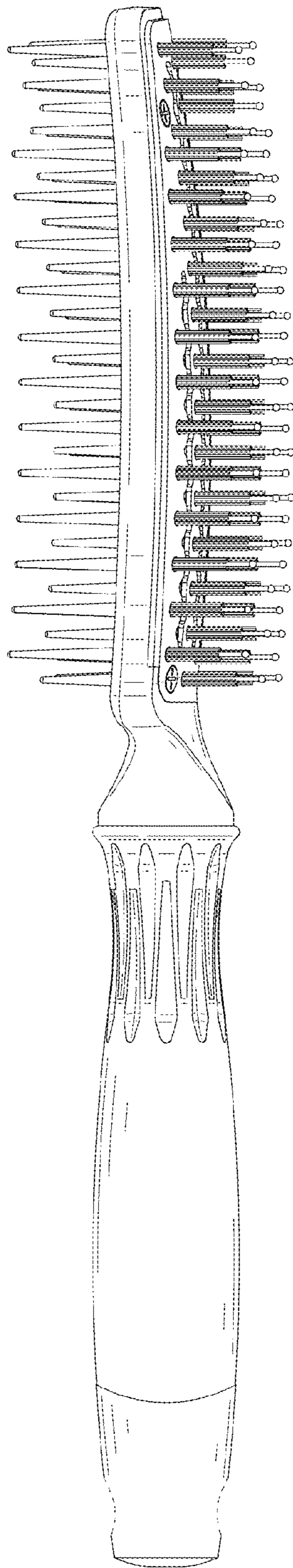


FIG. 6



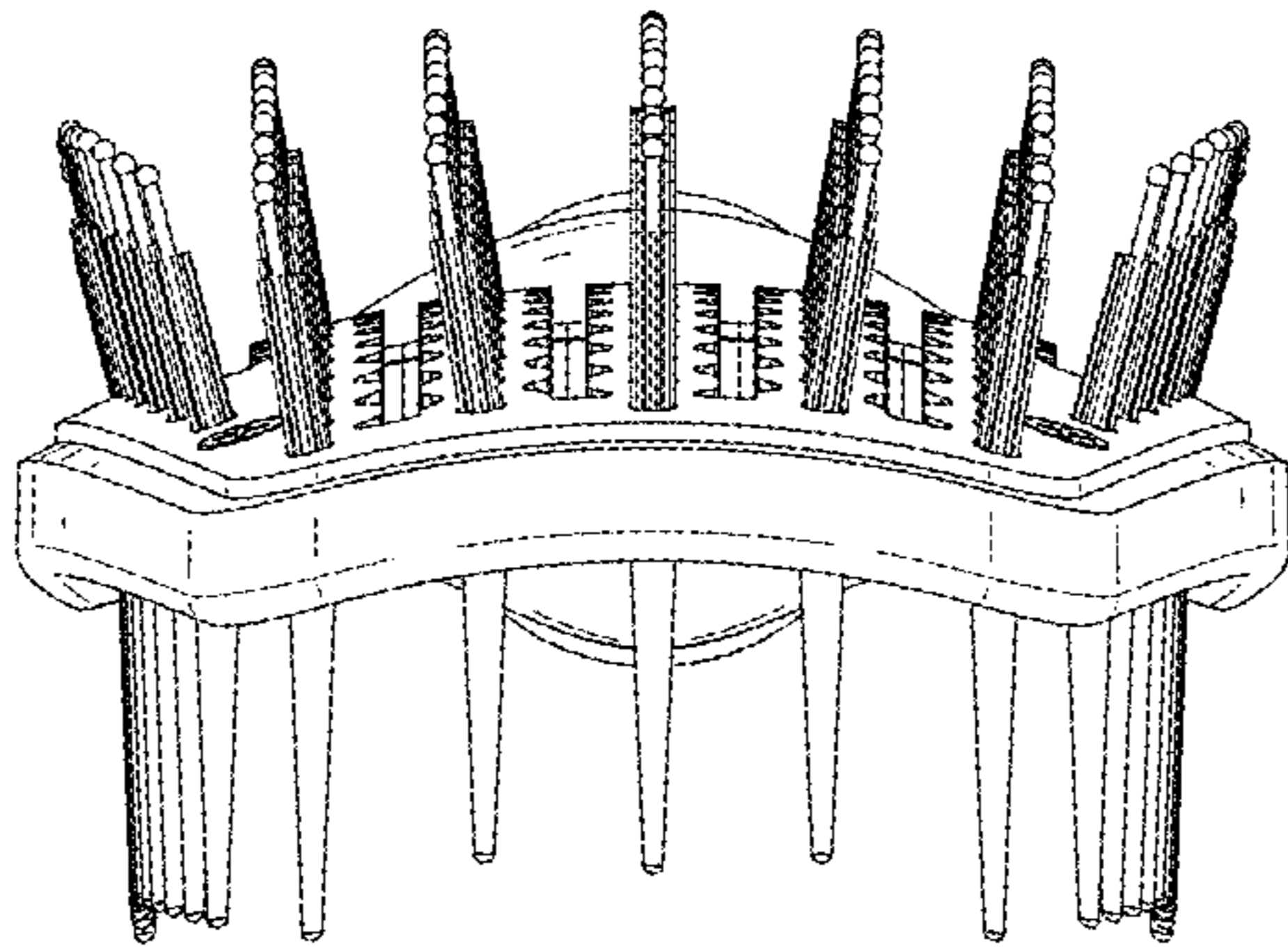


FIG. 7

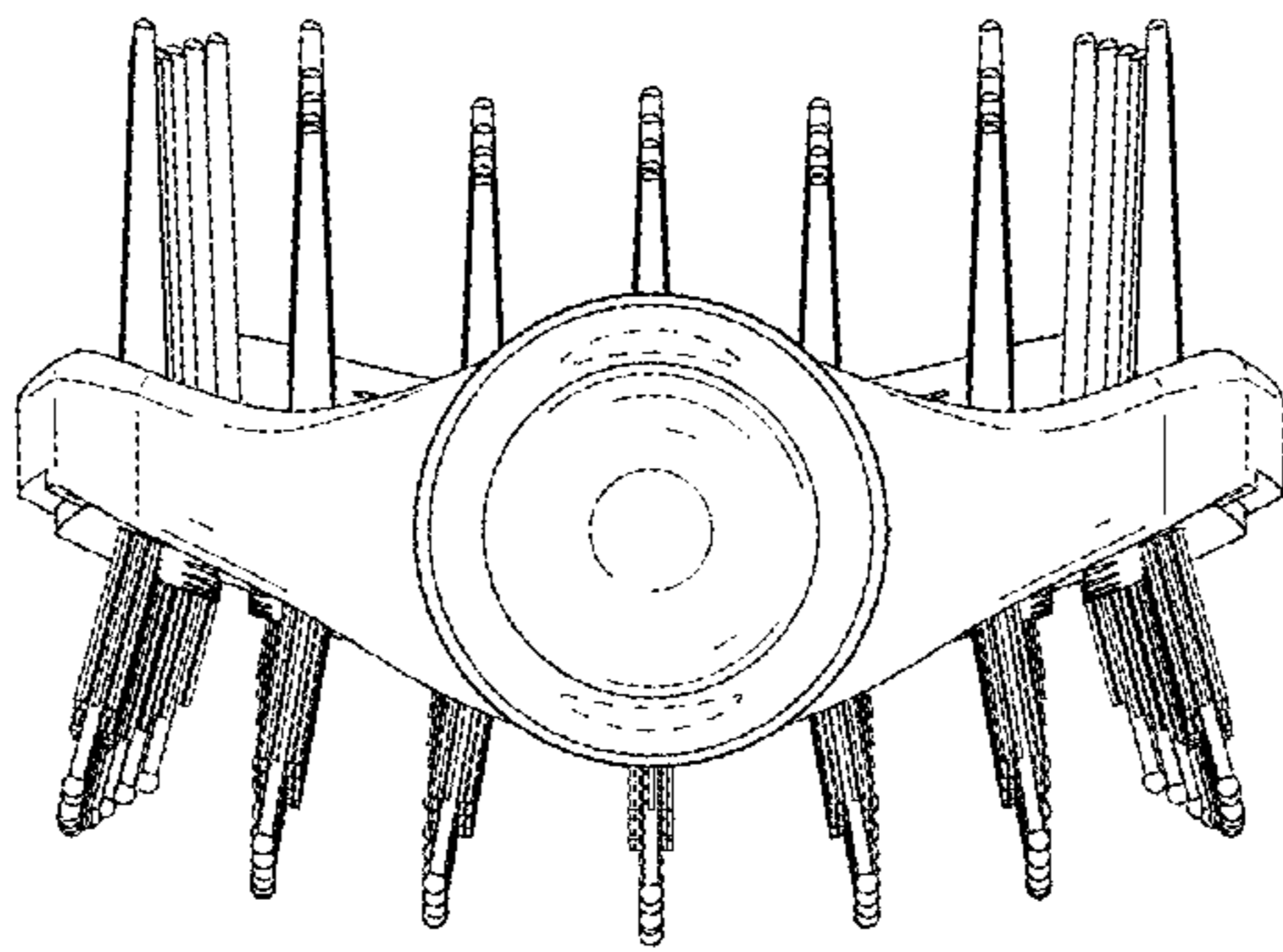


FIG. 8

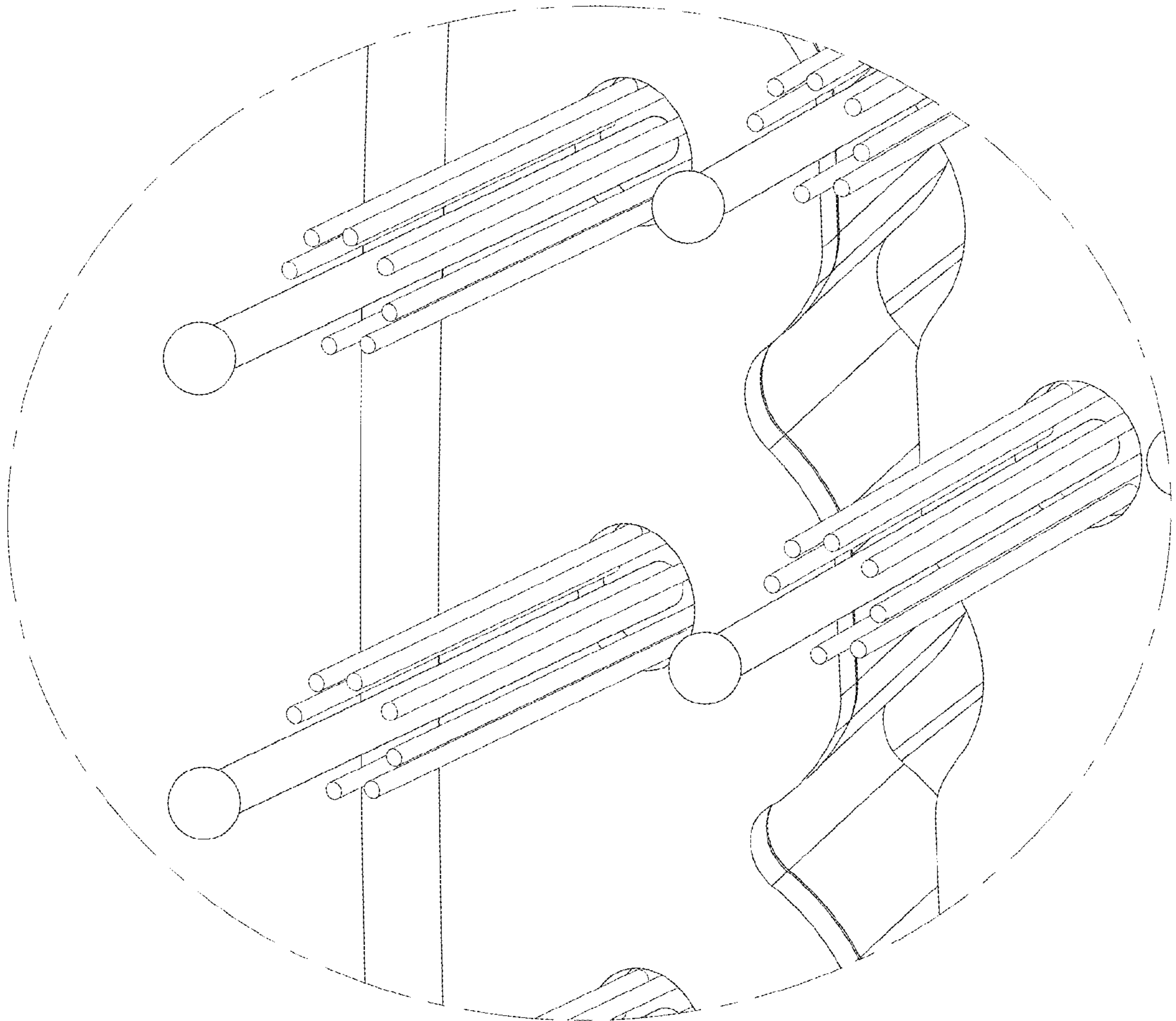


FIG. 9