

US00D962651S

(12) **United States Design Patent**
Yang

(10) **Patent No.:** **US D962,651 S**

(45) **Date of Patent:** **** Sep. 6, 2022**

(54) **DOUBLE-SIDED COMB**

(71) Applicant: **GUANGZHOU ESHINE-STAR HAIR BEAUTY PRODUCTS CO., LTD.**,
Guangzhou (CN)

(72) Inventor: **Binjiang Yang**, Loudi (CN)

(73) Assignee: **GUANGZHOU ESHINE-STAR HAIR BEAUTY PRODUCTS CO., LTD.**,
Guangzhou (CN)

(**) Term: **15 Years**

(21) Appl. No.: **29/759,545**

(22) Filed: **Nov. 24, 2020**

(30) **Foreign Application Priority Data**

Nov. 11, 2020 (CN) 202030680540.5

(51) **LOC (13) Cl.** **04-02**

(52) **U.S. Cl.**
USPC **D4/119; D4/134**

(58) **Field of Classification Search**
USPC D4/100, 102, 114, 115, 116, 117, 118,
D4/119, 120, 121, 127, 129, 130, 132,
D4/134, 135, 136, 137, 138, 199
CPC A46B 9/023; A46B 9/02; A46B 2200/104
See application file for complete search history.

(56) **References Cited**

U.S. PATENT DOCUMENTS

D26,973 S *	4/1897	Shepherd	D4/134
2,167,196 A *	7/1939	Bothum	A46B 5/02
				D4/118
D190,319 S *	5/1961	Vallis	D28/63
D276,382 S *	11/1984	Dalrymple	D4/130
D770,779 S *	11/2016	Rosenzweig	D4/138
D808,658 S *	1/2018	Sophie	D28/35
D825,929 S *	8/2018	Julemont	D4/100
D838,994 S *	1/2019	Suh	D4/119

D859,849 S *	9/2019	Sun	D4/134
D883,679 S *	5/2020	Pulfrey	D4/134
D892,415 S *	8/2020	Axelrod	D4/118

(Continued)

FOREIGN PATENT DOCUMENTS

EM	300676280.0000	*	1/2013
EM	002604918-0002	*	1/2015

OTHER PUBLICATIONS

Hairdressing Comb Grid Brush by WetDry Hair [on-line]. [Original publication date unknown.] [Retrieved from the Internet on Jun. 18, 2022.] URL: <https://www.alibaba.com/product-detail/Hot-Sales-Hairdressing-Comb-Grid-Brush_1600274881387.html?spm=a2700.shop_plgr.41413.15.72f31fc6sa3oql> (Year: 2022).*

Primary Examiner — Karen E Eldridge Powers

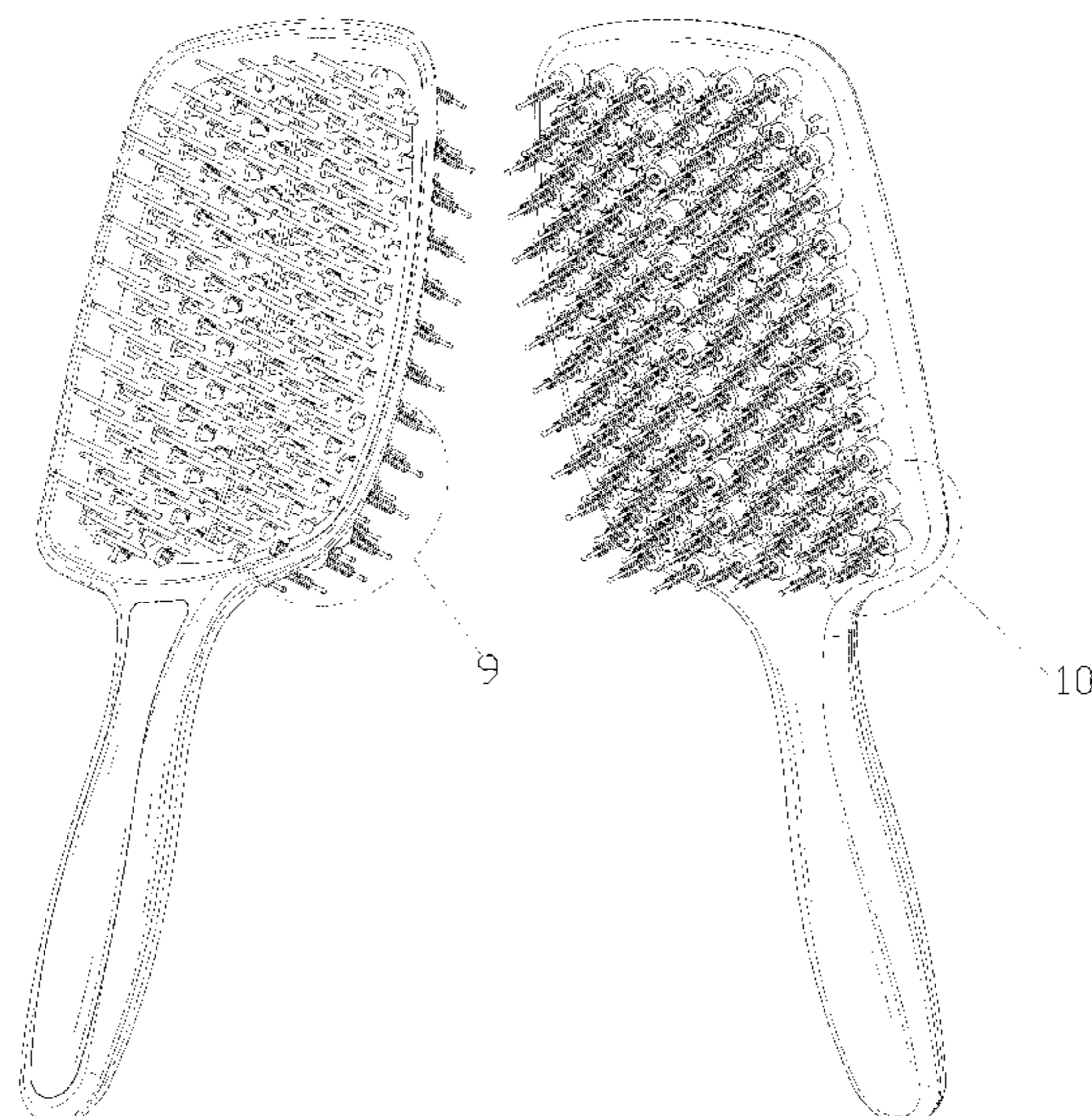
(57) **CLAIM**

The ornamental design for a double-sided comb, as shown and described.

DESCRIPTION

FIG. 1 is a top, front and right side perspective view of a double-sided comb showing my new design; FIG. 2 is a top, front and left side perspective view thereof; FIG. 3 is a front elevational view thereof; FIG. 4 is a rear elevational view thereof; FIG. 5 is a left side elevational view thereof; FIG. 6 is a right side elevational view thereof; FIG. 7 is a top plan view thereof; FIG. 8 is a bottom plan view thereof; FIG. 9 is an enlarged view of portion 9 shown in FIG. 1; and, FIG. 10 is an enlarged view of portion 10 shown in FIG. 2. The broken lines in the drawings depict portions of the double-sided comb that form no part of the claimed design.

1 Claim, 10 Drawing Sheets



(56)

References Cited

U.S. PATENT DOCUMENTS

D903,333 S	*	12/2020	Choi	D4/134
D942,758 S	*	2/2022	Russo	D4/130
D944,535 S	*	3/2022	Wang	D4/134
D948,876 S	*	4/2022	Yang	D4/134

* cited by examiner

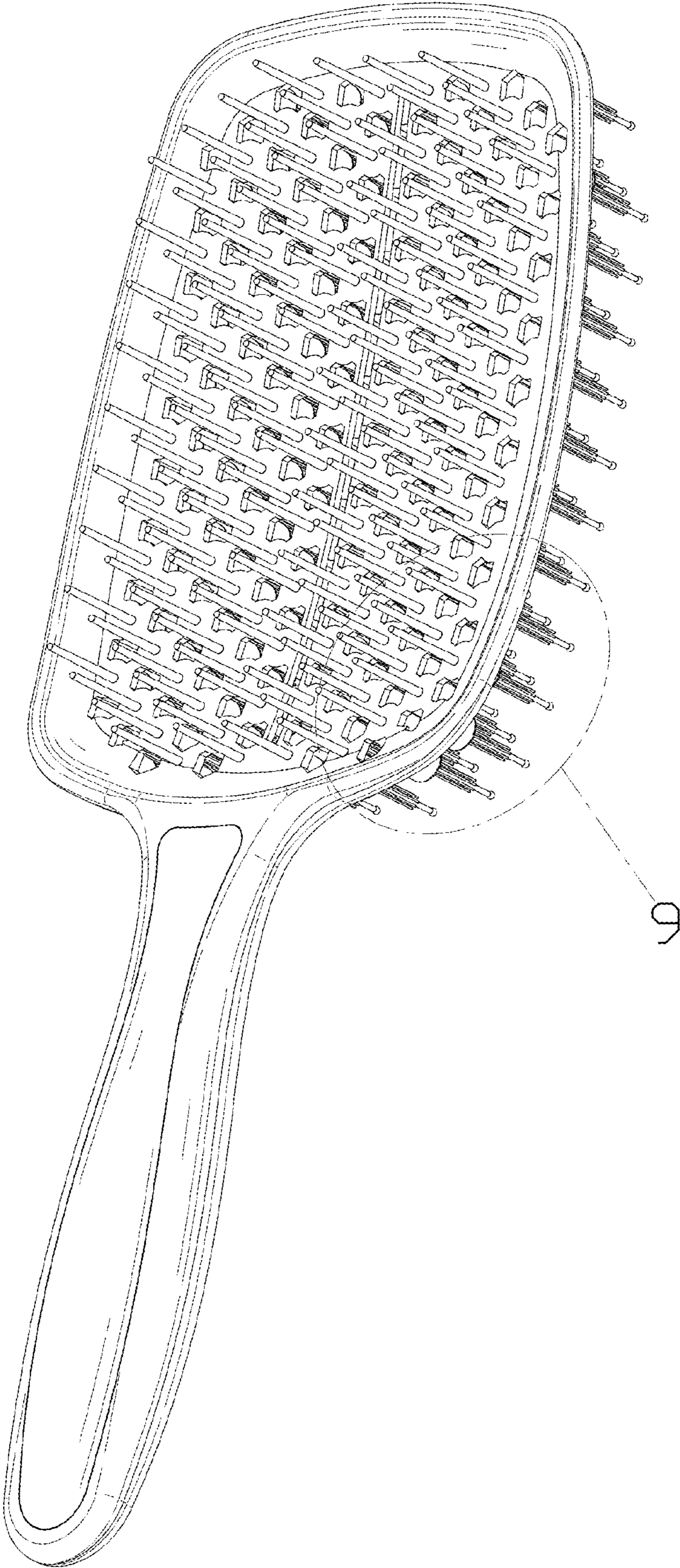


FIG. 1

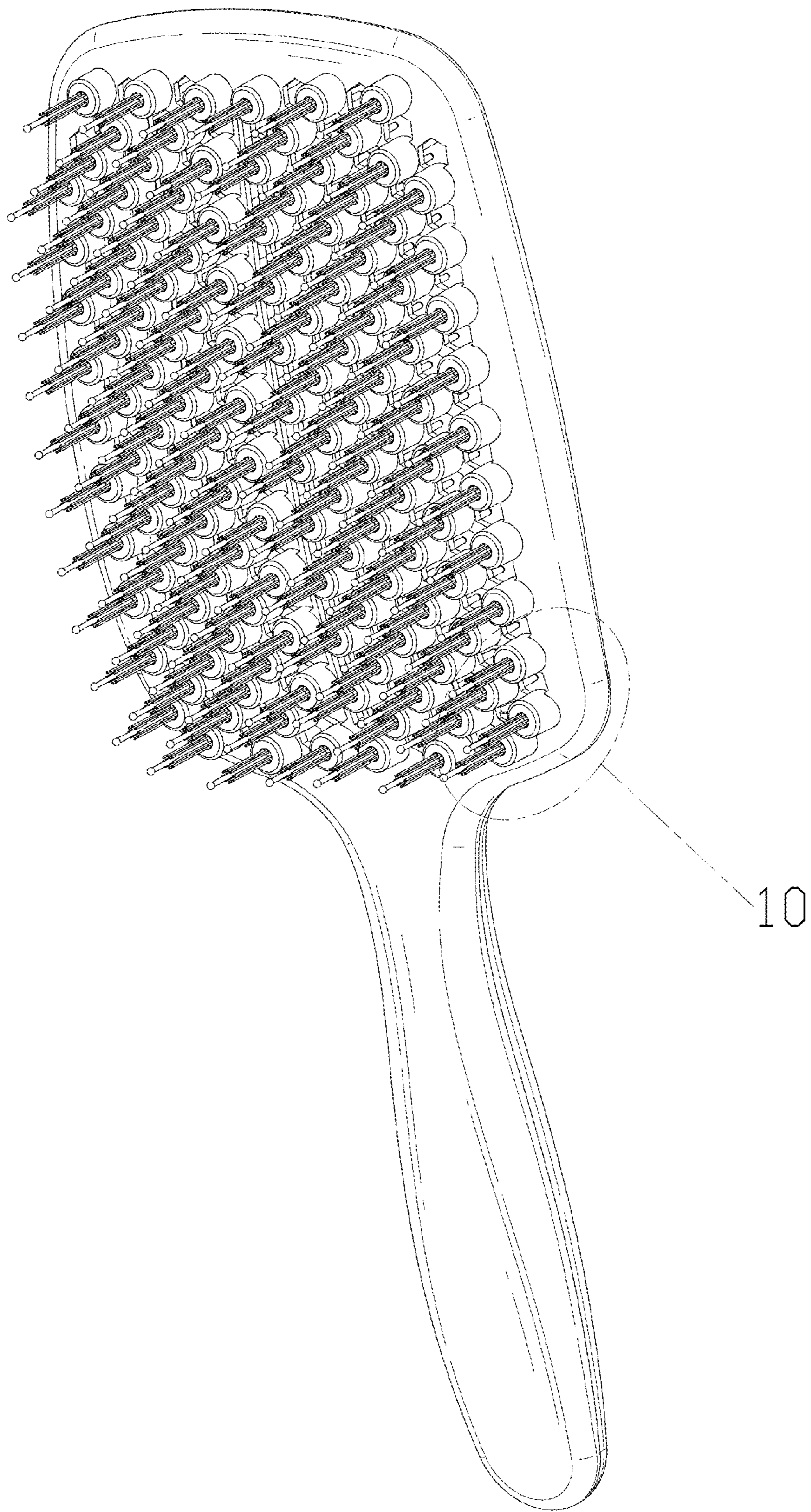


FIG. 2

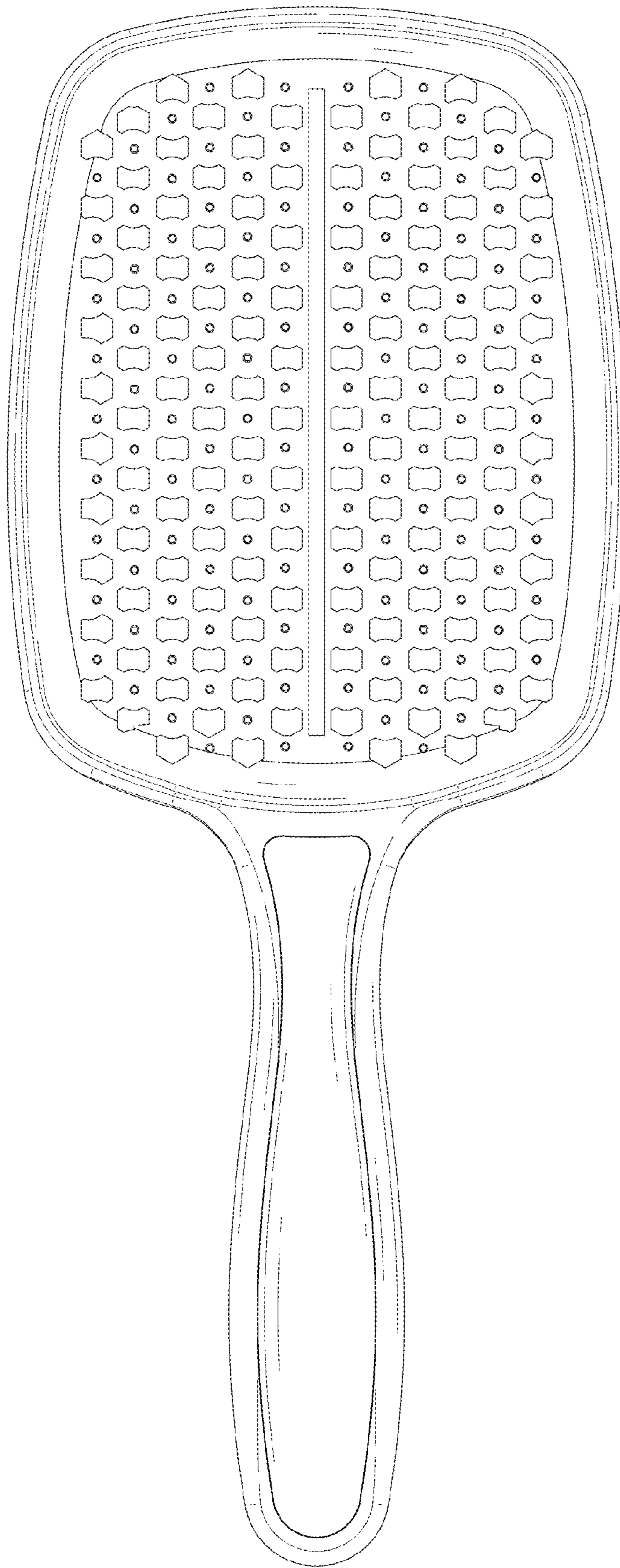


FIG. 3

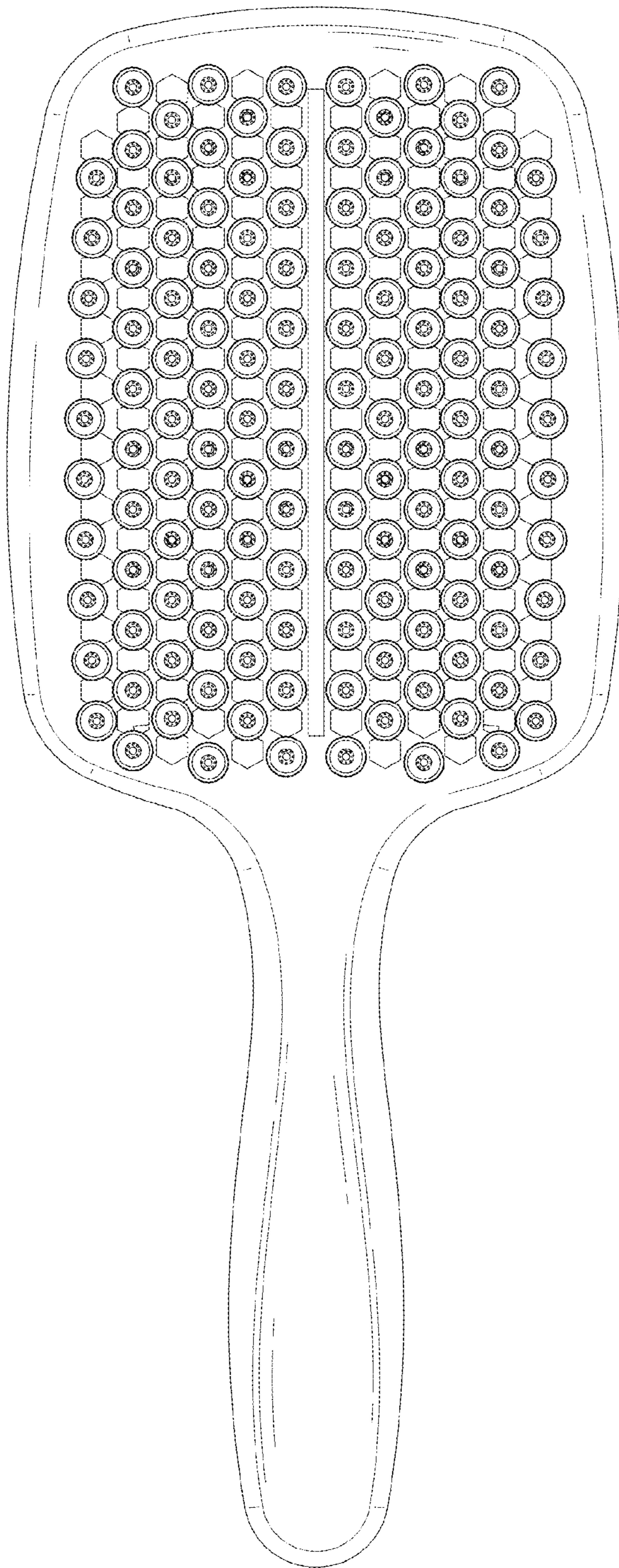


FIG. 4

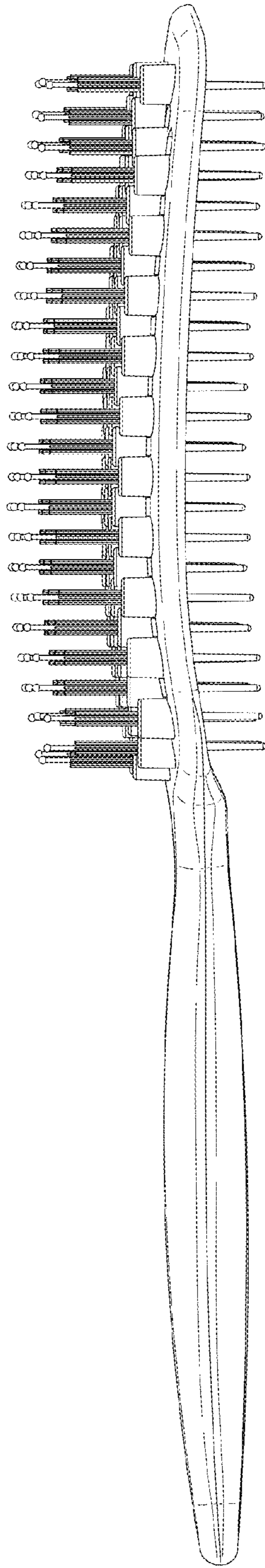


FIG. 5

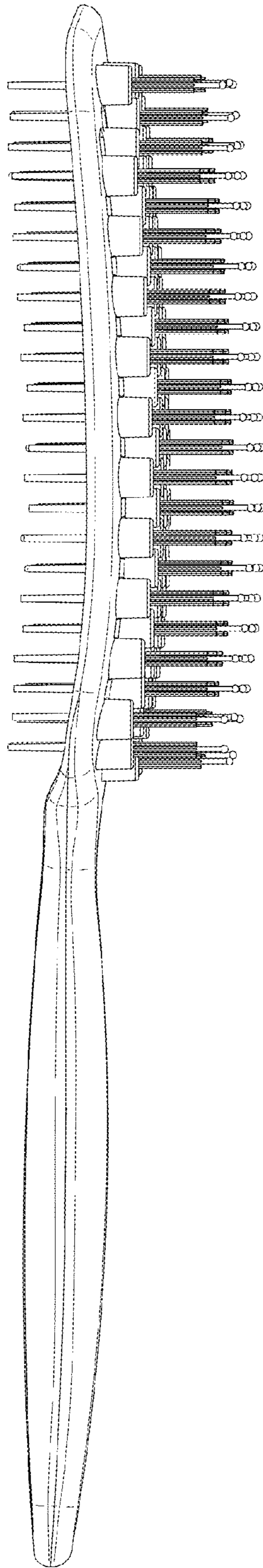


FIG. 6

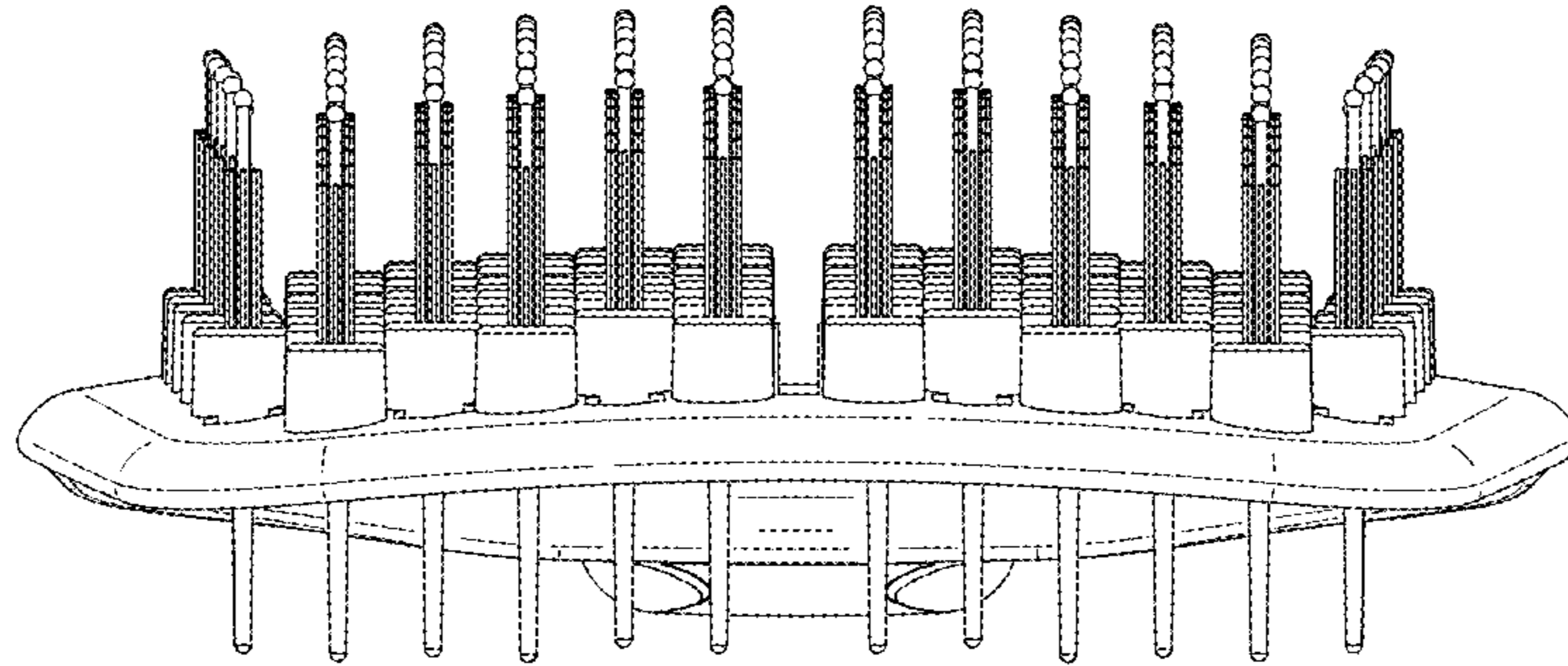


FIG. 7

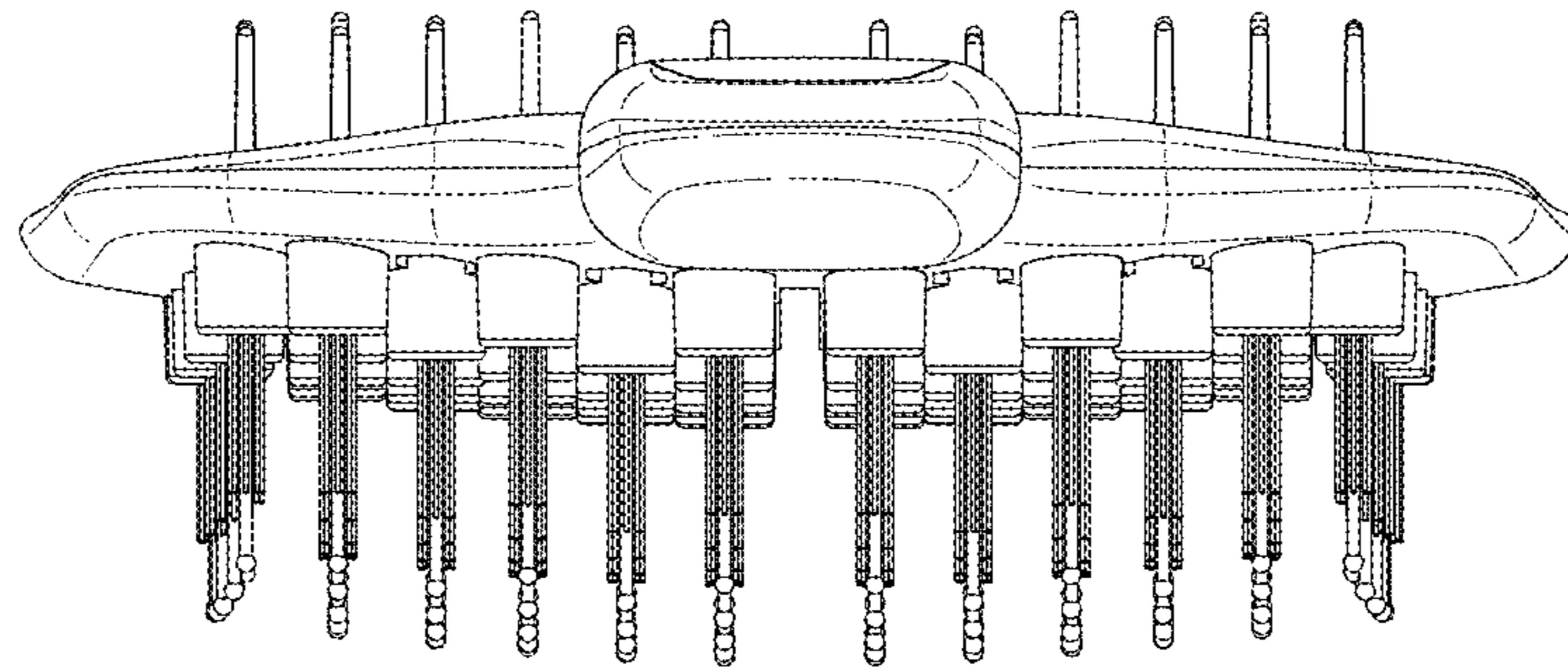


FIG. 8

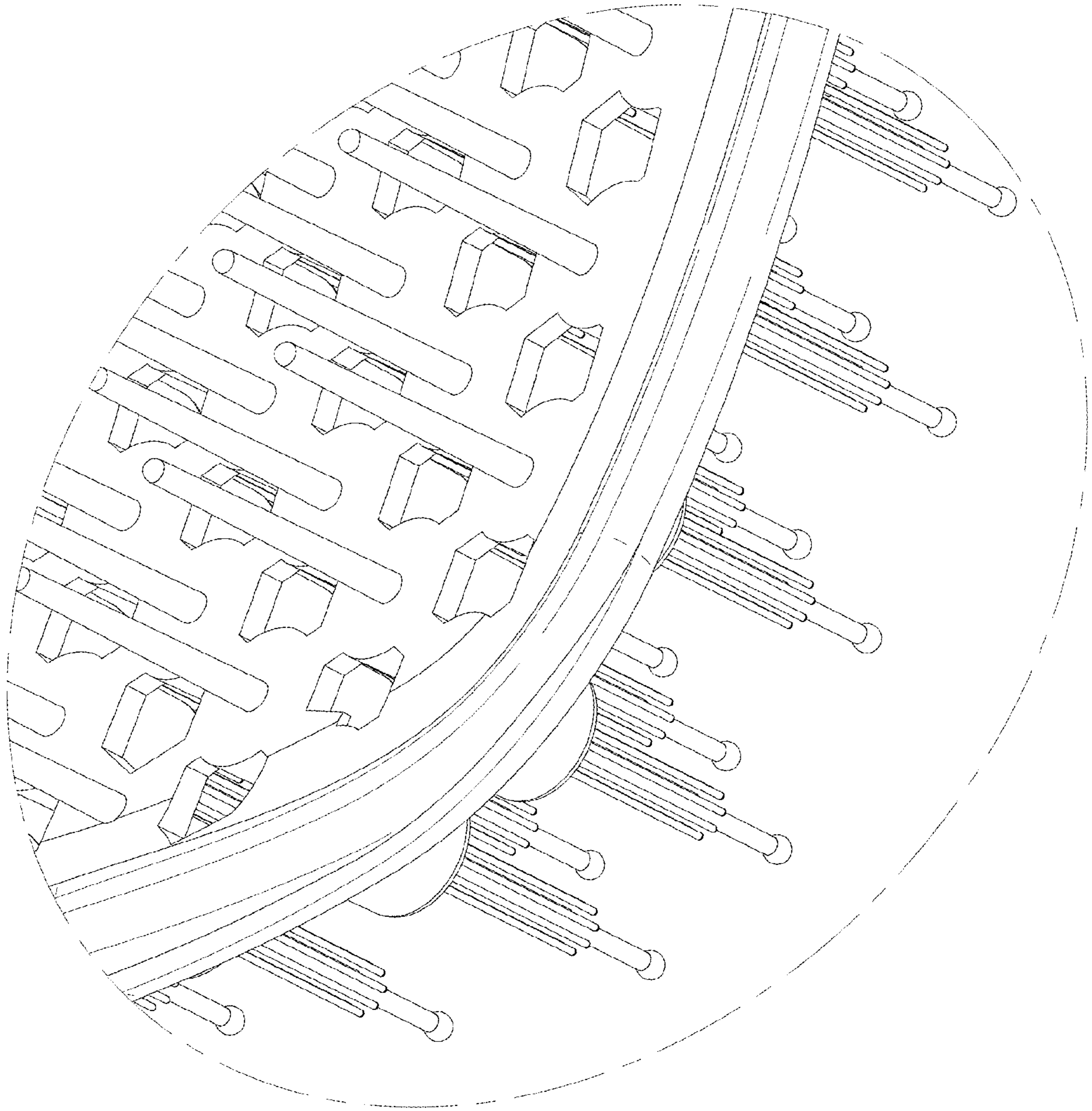


FIG. 9

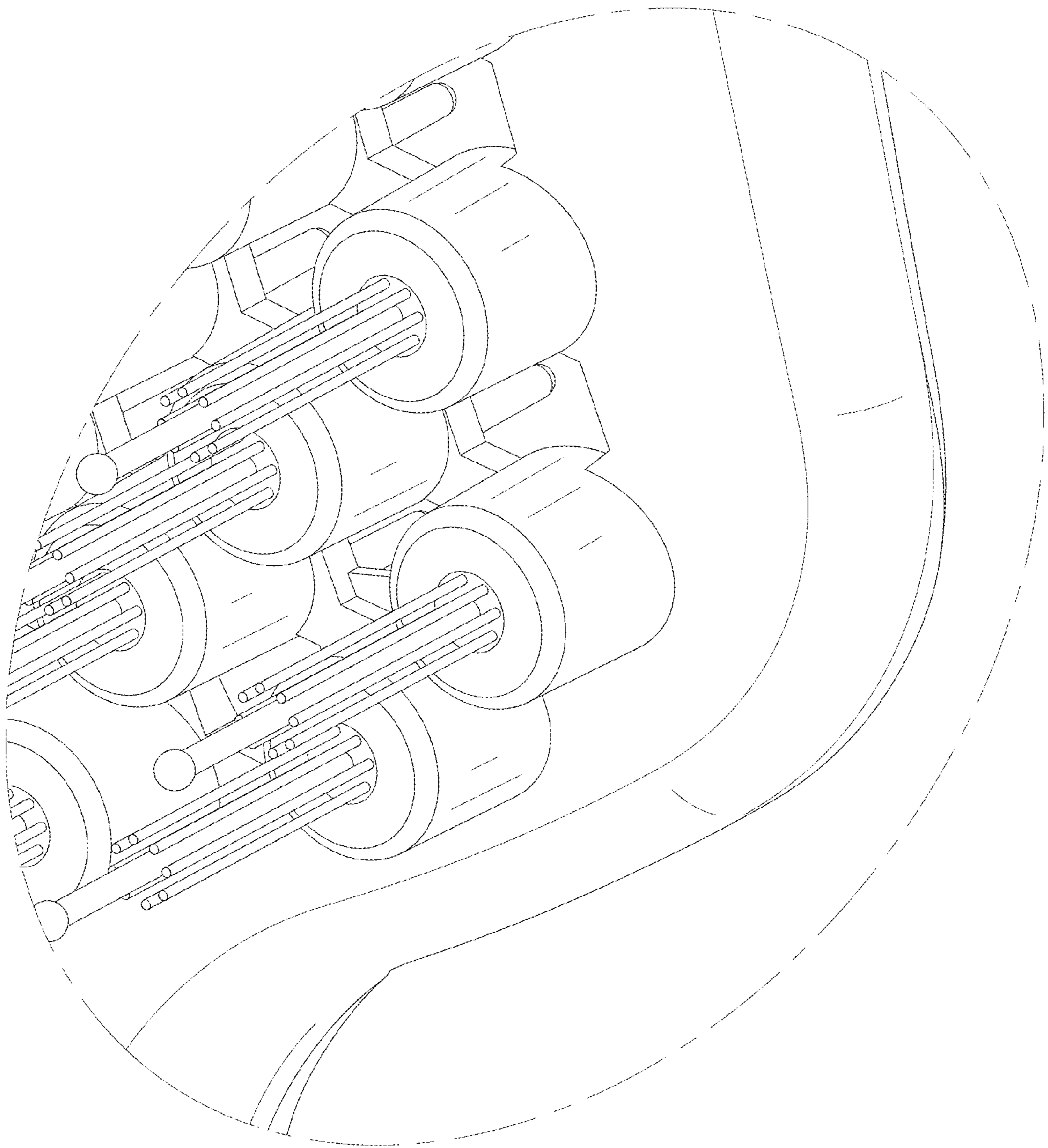


FIG. 10