

US00D962650S

(12) **United States Design Patent**  
**Huang**

(10) **Patent No.:** **US D962,650 S**

(45) **Date of Patent:** **\*\* Sep. 6, 2022**

(54) **ELECTRIC TOOTHBRUSH HEAD**  
(71) Applicant: **SHENZHEN E-WORLD TECHNOLOGY LIMITED**, Shenzhen (CN)

(72) Inventor: **Xiangyu Huang**, Shenzhen (CN)

(73) Assignee: **SHENZHEN E-WORLD TECHNOLOGY LIMITED**, Shenzhen (CN)

(\*\*) Term: **15 Years**

(21) Appl. No.: **29/824,749**

(22) Filed: **Jan. 27, 2022**

(51) **LOC (13) Cl.** ..... **28-03**

(52) **U.S. Cl.**  
USPC ..... **D4/101**

(58) **Field of Classification Search**  
USPC ..... D4/101, 104, 105, 106, 107, 108, 110, D4/111, 112, 113  
CPC ..... A46B 9/04; A46B 2200/1066  
See application file for complete search history.

(56) **References Cited**

**U.S. PATENT DOCUMENTS**

D388,958 S *	1/1998	Hartwein	.....	D4/111
D455,010 S *	4/2002	Kling	.....	D4/111
6,654,979 B2 *	12/2003	Calabrese	.....	A46B 9/06 15/28
6,665,901 B2 *	12/2003	Driesen	.....	A61C 17/222 15/198
D526,487 S *	8/2006	Chenvainu	.....	D4/111
D579,664 S *	11/2008	Fisher	.....	D4/111
D598,653 S	8/2009	Crossman		
D606,316 S *	12/2009	Driesen	.....	D4/111
D606,317 S *	12/2009	Driesen	.....	D4/111

D606,318 S *	12/2009	Driesen	.....	D4/111
D611,711 S *	3/2010	Driesen	.....	D4/111
7,975,343 B2 *	7/2011	Hohlbein	.....	A46B 15/0032 15/167.1
D689,698 S *	9/2013	Dickie	.....	D4/111
8,813,292 B2 *	8/2014	Driesen	.....	A61C 17/222 D4/111
D790,860 S	7/2017	Bloch et al.		
D824,174 S *	7/2018	Altmann	.....	D4/101
D830,699 S *	10/2018	Liu	.....	D4/101
D846,881 S *	4/2019	Altmann	.....	D4/101
D854,834 S *	7/2019	Altmann	.....	D4/111
10,470,858 B2 *	11/2019	Liu	.....	A46B 15/0071
D868,477 S *	12/2019	Papazian	.....	D4/101
D869,852 S *	12/2019	Papazian	.....	D4/101
D869,853 S *	12/2019	Papazian	.....	D4/101

\* cited by examiner

*Primary Examiner* — Karen E Eldridge Powers

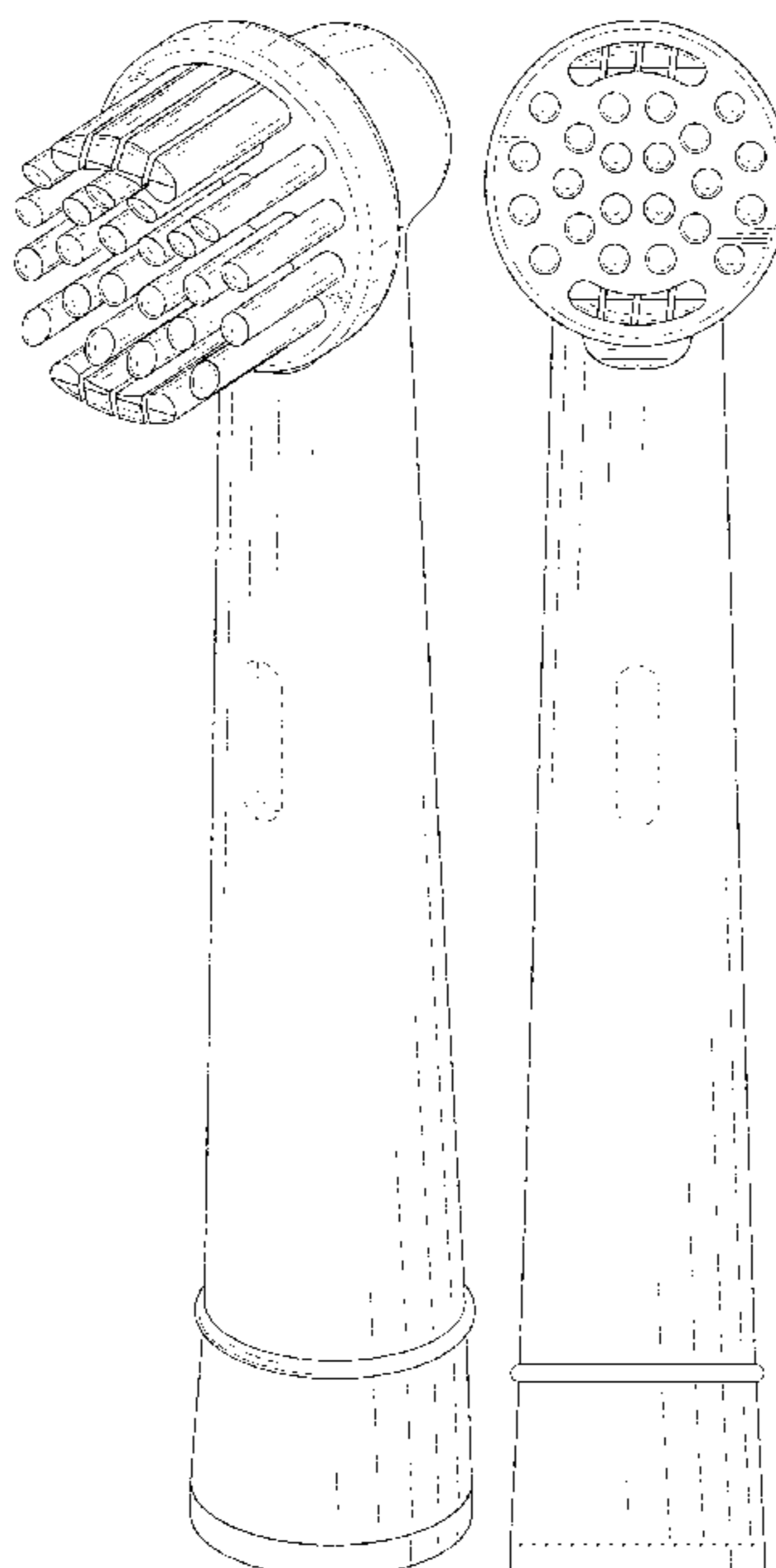
(57) **CLAIM**

The ornamental design for an electric toothbrush head, as shown and described.

**DESCRIPTION**

FIG. 1 is a front, top and right side perspective view of an electric toothbrush head showing my new design;  
FIG. 2 is a rear, bottom and left side perspective view thereof.  
FIG. 3 is a front elevational view thereof;  
FIG. 4 is a rear elevational view thereof;  
FIG. 5 is a left side elevational view thereof;  
FIG. 6 is a right side elevational view thereof;  
FIG. 7 is a top plan view thereof; and,  
FIG. 8 is a bottom plan view thereof.  
The broken lines in the drawings depict portions of the electric toothbrush head that form no part of the claimed design.

**1 Claim, 8 Drawing Sheets**



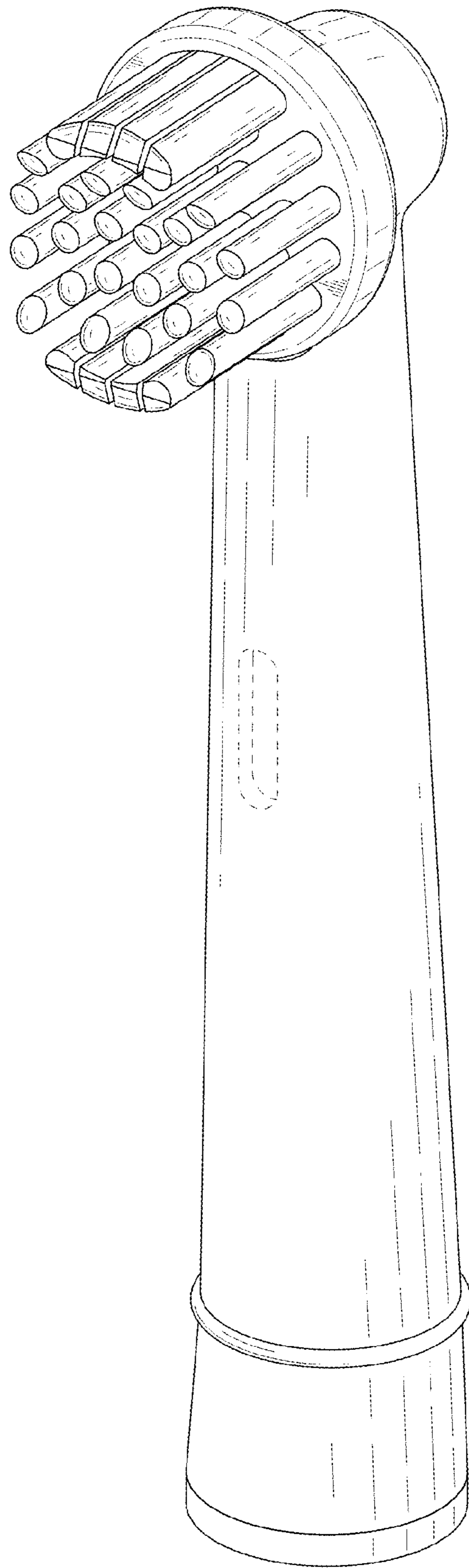


FIG. 1

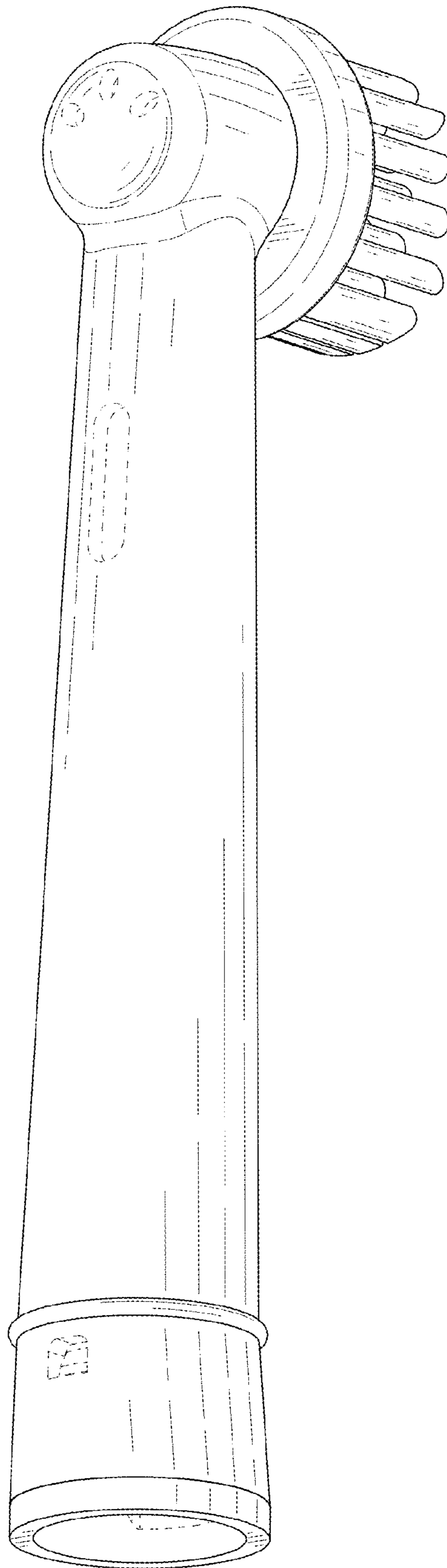


FIG. 2

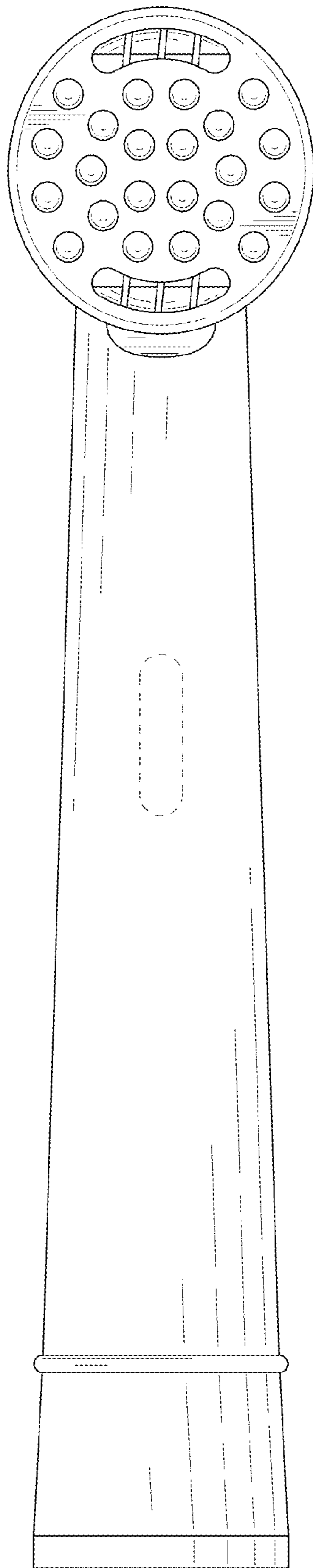


FIG. 3

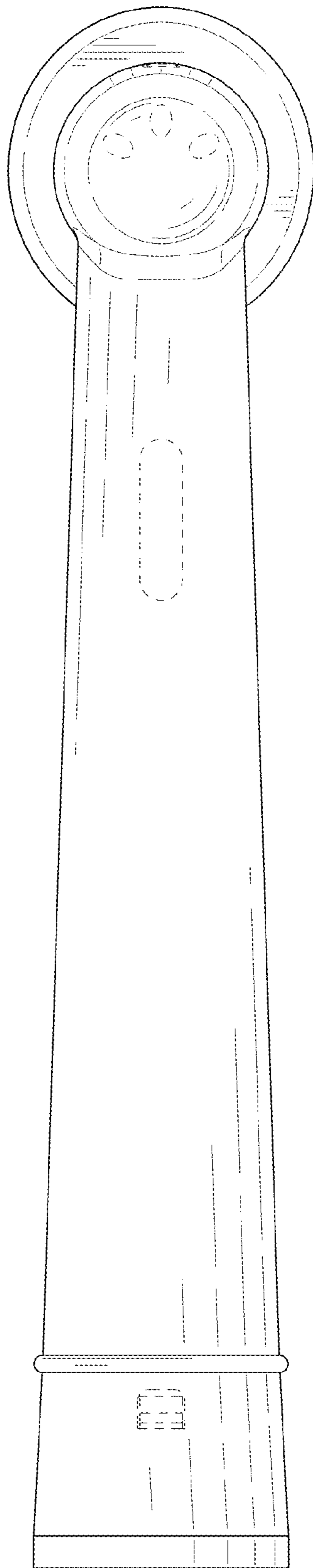


FIG. 4

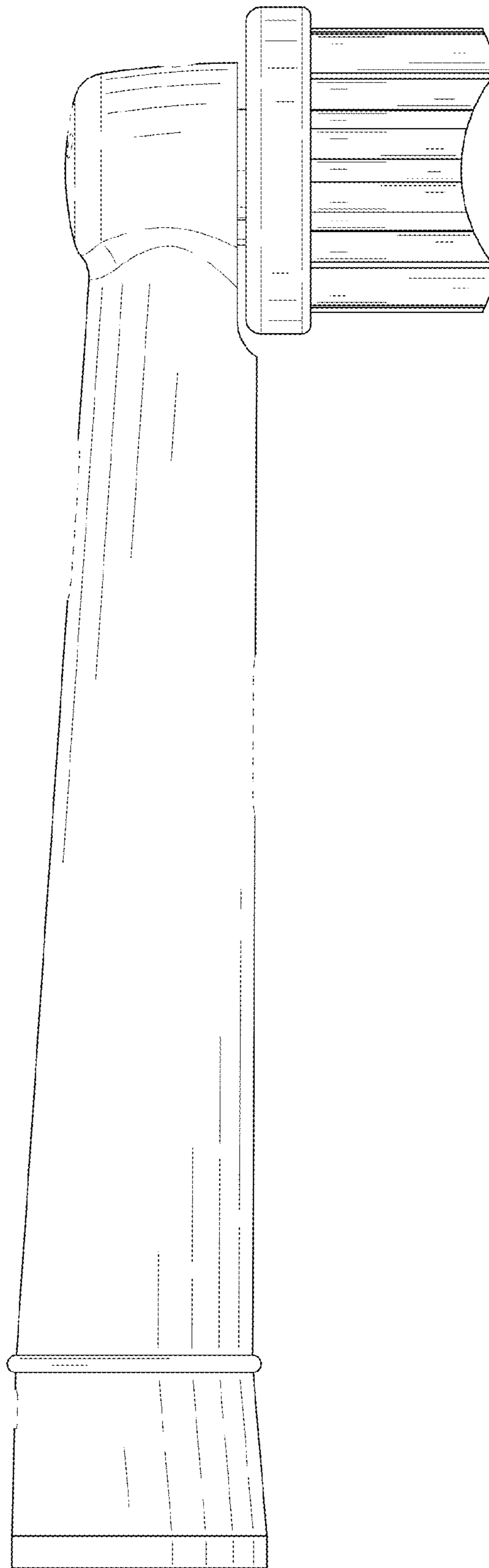


FIG. 5

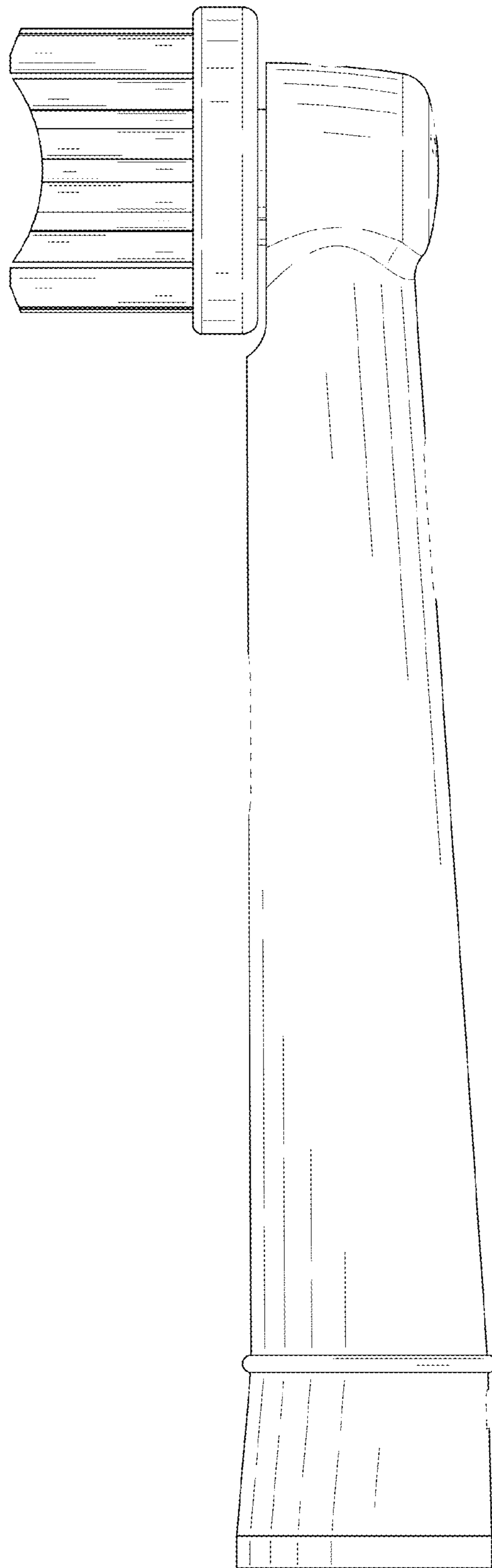


FIG. 6

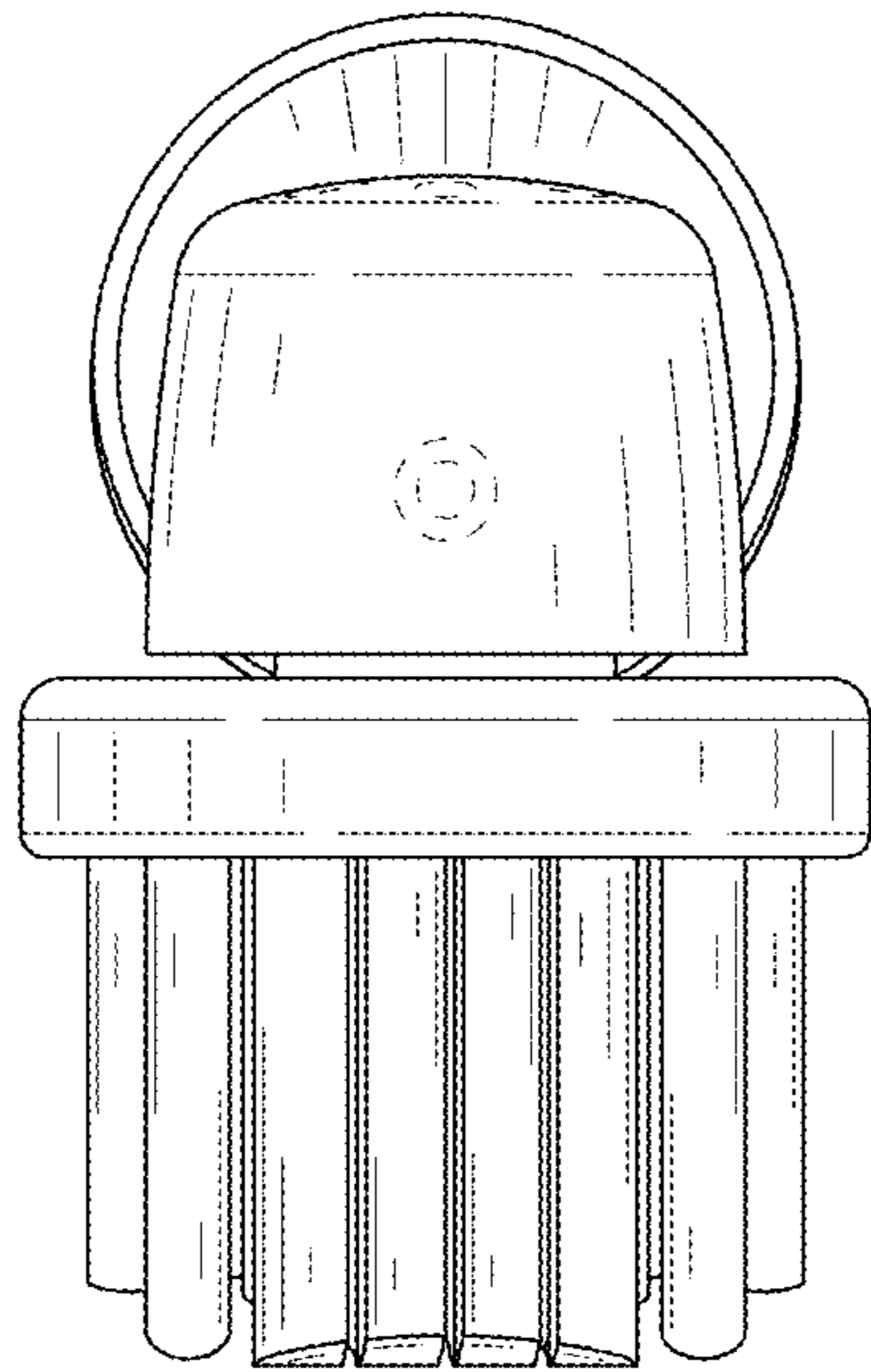


FIG. 7



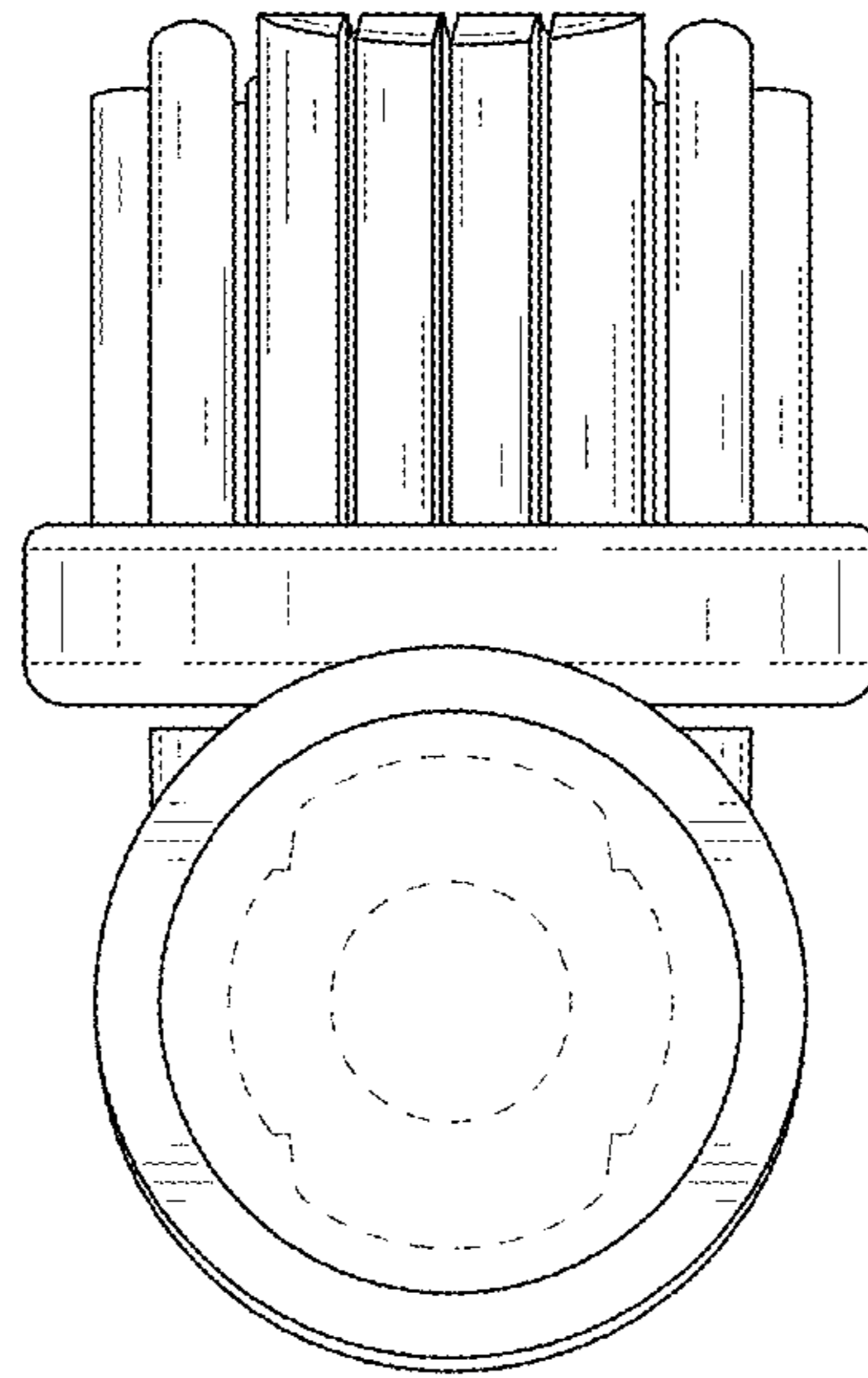


FIG. 8