



US00D962649S

(12) **United States Design Patent** (10) **Patent No.:** **US D962,649 S**
Feng (45) **Date of Patent:** **** Sep. 6, 2022**

(54) **TOOTHBRUSH HEAD**

FOREIGN PATENT DOCUMENTS

(71) Applicant: **Jian Feng**, Gaozhou (CN)

CN 306959164 * 11/2021

(72) Inventor: **Jian Feng**, Gaozhou (CN)

* cited by examiner

(**) Term: **15 Years**

Primary Examiner — Cynthia Ramirez

Assistant Examiner — Tamara L Hahn

(21) Appl. No.: **29/750,894**

(74) *Attorney, Agent, or Firm* — Rumit Ranjit Kanakia

(22) Filed: **Sep. 17, 2020**

(57) **CLAIM**

(51) **LOC (13) Cl.** **04-02**

The ornamental design for a toothbrush head, as shown and described.

(52) **U.S. Cl.**

USPC **D4/101**

(58) **Field of Classification Search**

DESCRIPTION

USPC D4/100–138, 199; D24/176, 181

CPC A46B 2200/1066; A46B 2200/1073; A46B

2200/1086; A46B 5/0095; A46B 9/04;

A46B 13/023; A61C 17/16; A61C 17/122

See application file for complete search history.

FIG. 1 is a perspective view of a toothbrush head showing my new design;

FIG. 2 is a front view thereof;

FIG. 3 is a back view thereof;

FIG. 4 is a right-side view thereof;

FIG. 5 is a left-side view thereof;

FIG. 6 is a top view thereof; and,

FIG. 7 is a bottom view thereof.

The broken lines in the drawing depict portions of the toothbrush head that form no part of the claimed design.

(56) **References Cited**

U.S. PATENT DOCUMENTS

D926,474 S * 8/2021 Capalungan D4/101

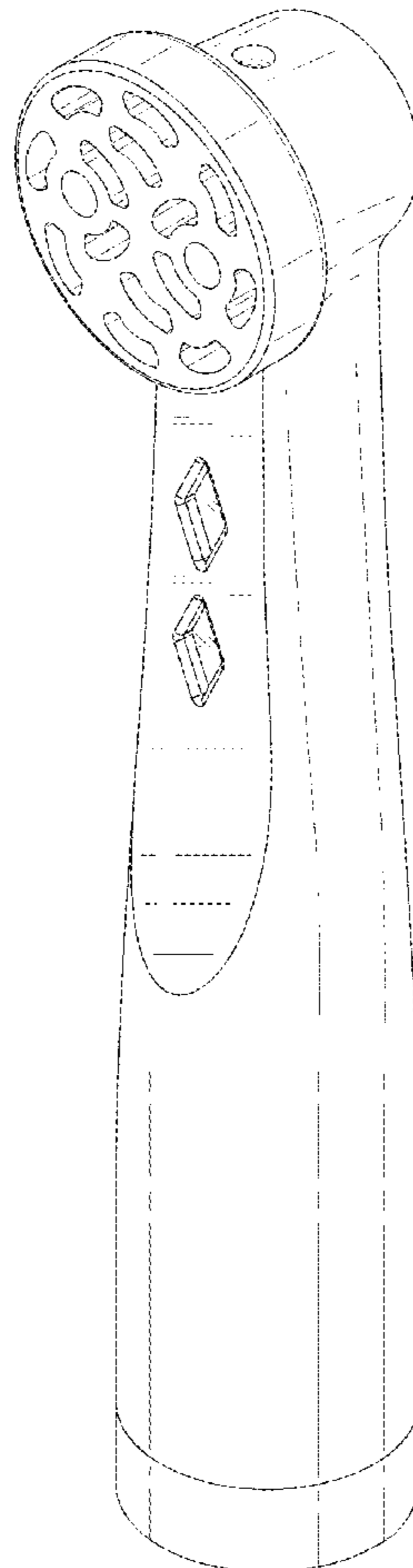
11,207,162 B1 * 12/2021 Liu A61C 17/3481

2010/0269279 A1 * 10/2010 Haas A61C 17/36

15/167.1

2019/0015183 A1 * 1/2019 Liu A61C 17/22

1 Claim, 6 Drawing Sheets



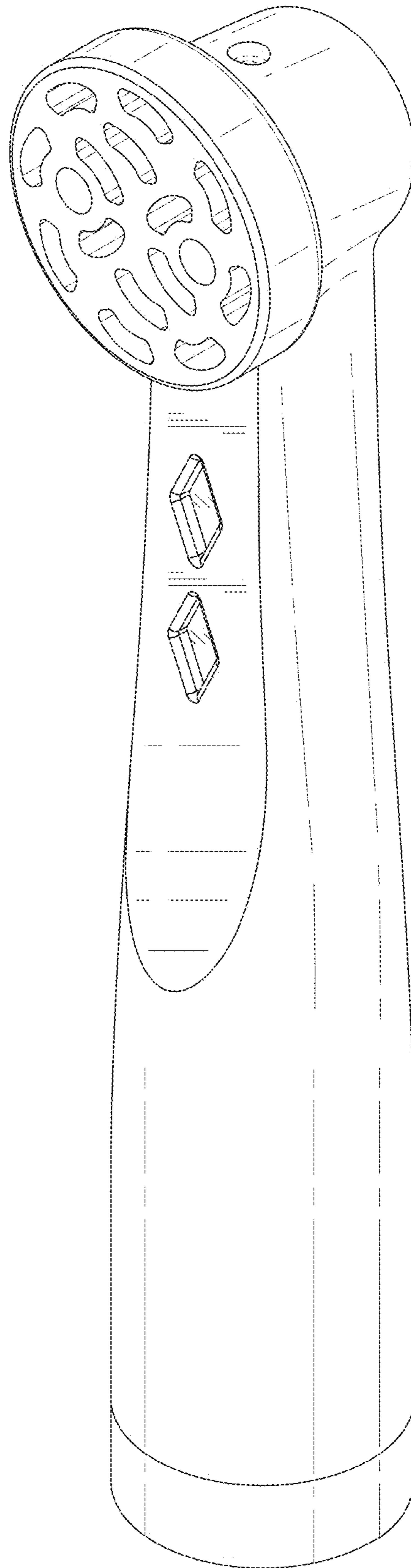


FIG. 1

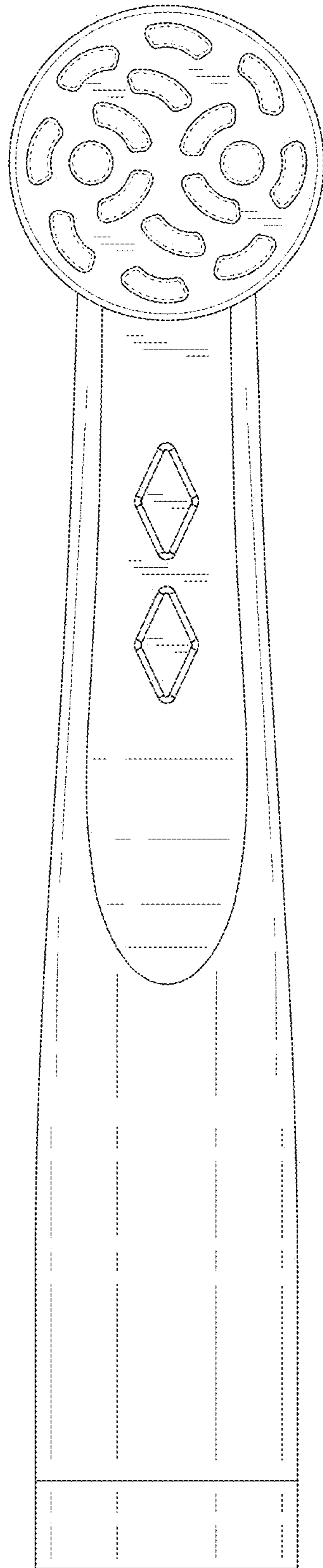


FIG. 2

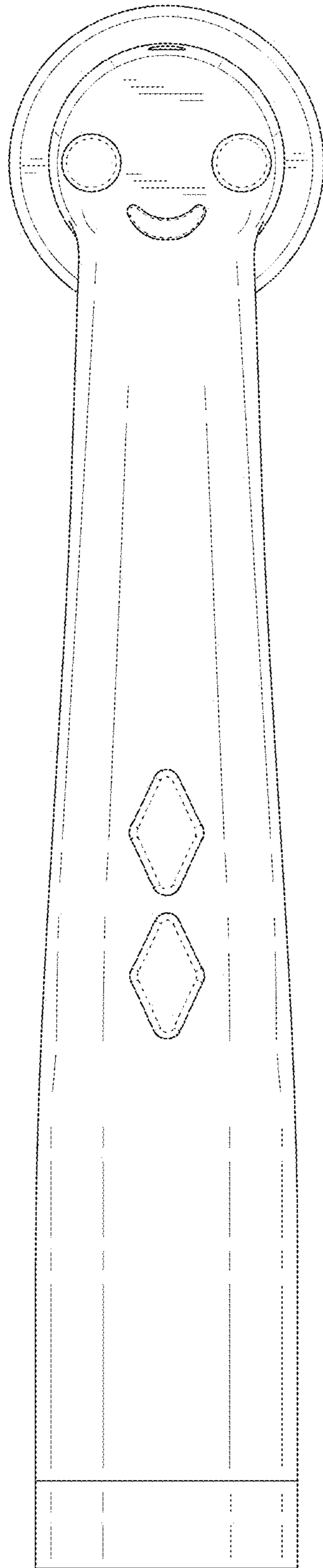


FIG. 3

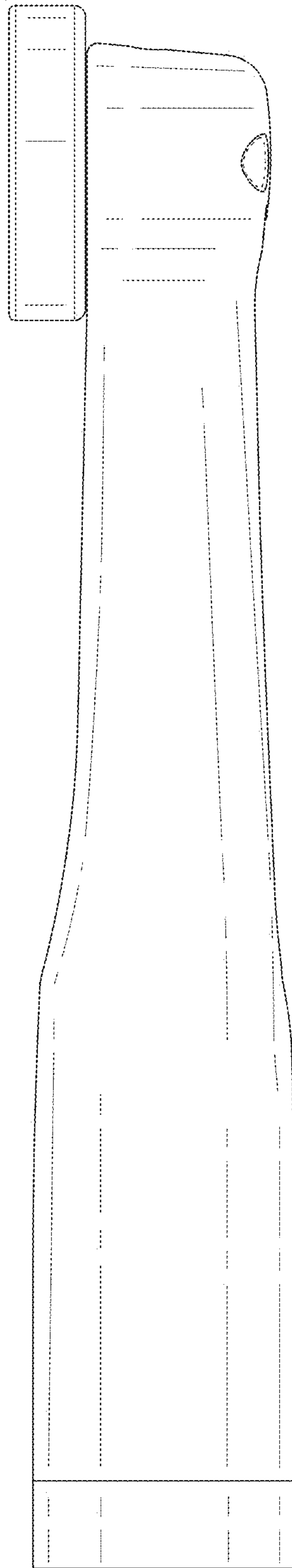


FIG. 4

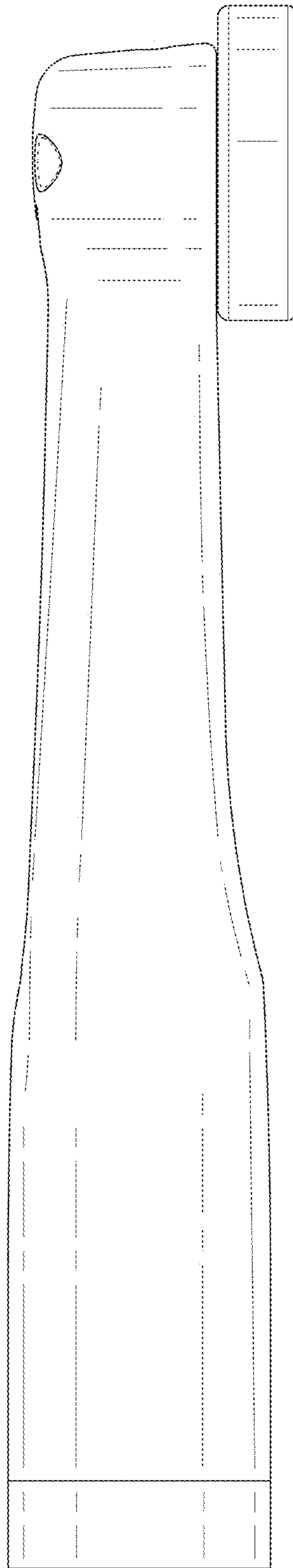


FIG. 5

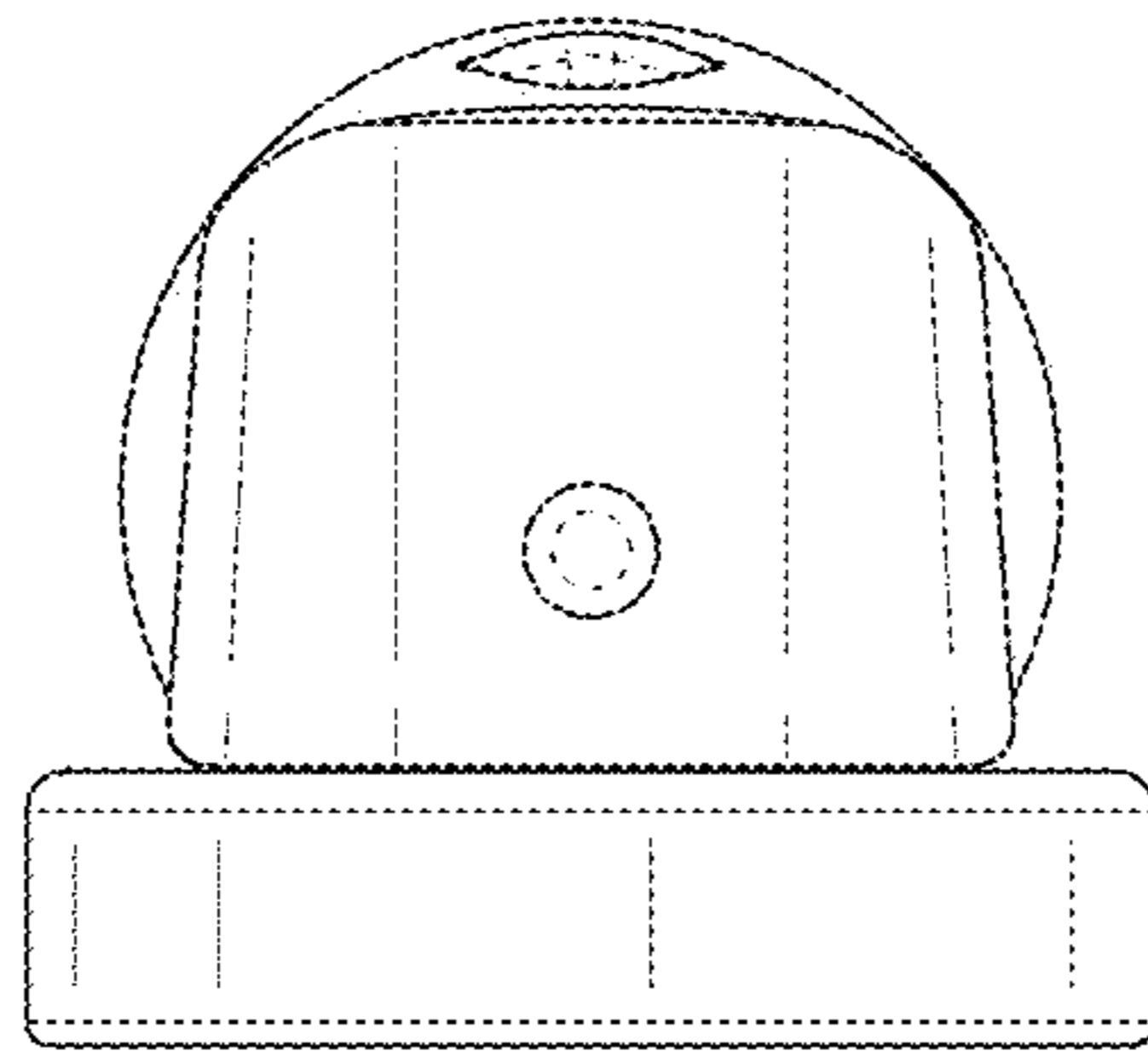


FIG. 6

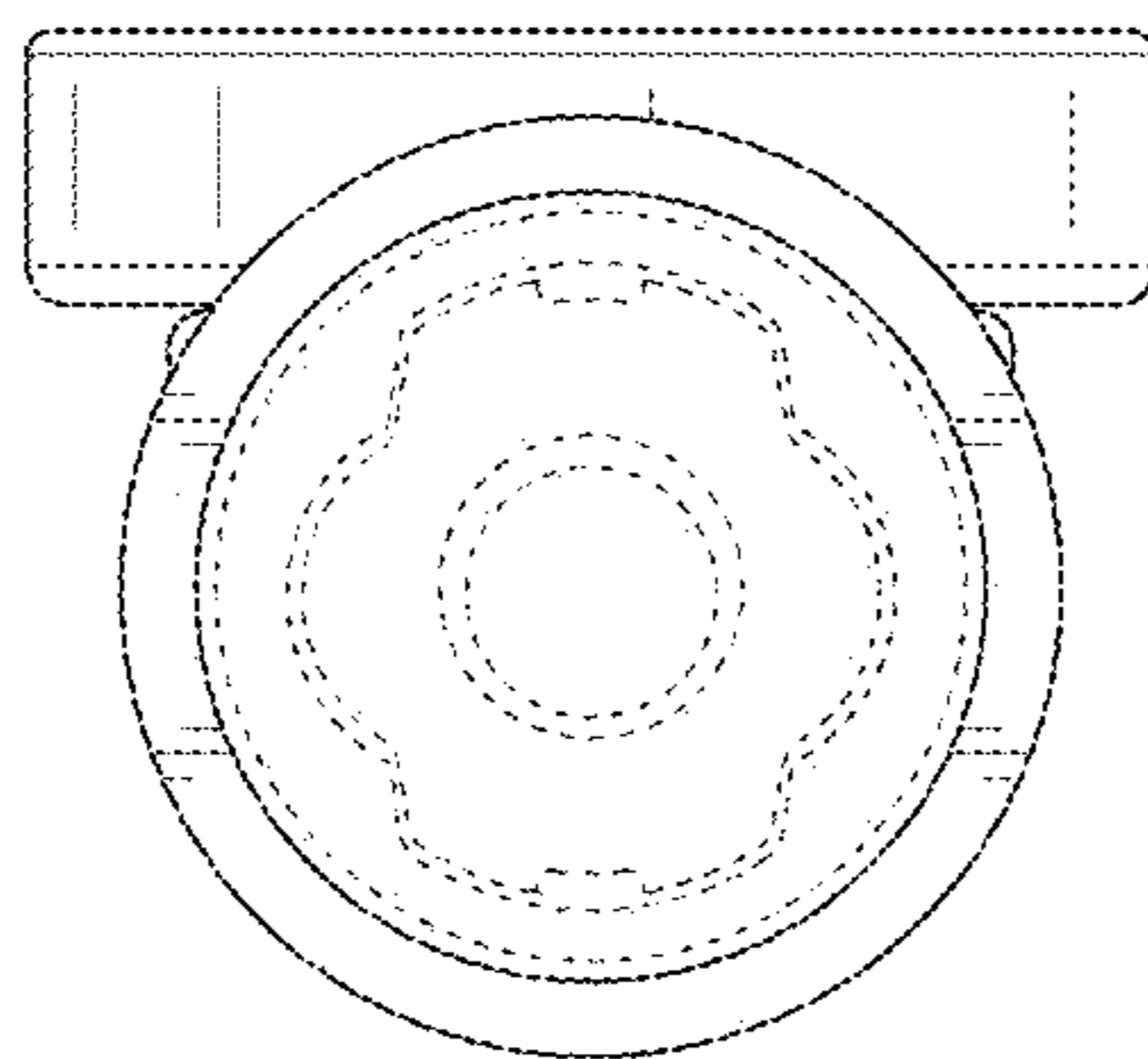


FIG. 7