

US00D962644S

(12) **United States Design Patent**
Ren et al.

(10) **Patent No.:** **US D962,644 S**
(45) **Date of Patent:** **** Sep. 6, 2022**

(54) **EARPHONE CASE**

(71) Applicants: **Anhui Huami Information Technology Co., Ltd.**, Hefei (CN); **Zepp, Inc.**, Cupertino, CA (US)

(72) Inventors: **Yuanyuan Ren**, Anhui (CN); **Yuan Li**, Anhui (CN); **Qianfu Huang**, Anhui (CN)

(73) Assignees: **Anhui Huami Information Technology Co., Ltd.**, Anhui (CN); **Zepp, Inc.**, Cupertino, CA (US)

(**) Term: **15 Years**

(21) Appl. No.: **29/736,697**

(22) Filed: **Jun. 2, 2020**

(30) **Foreign Application Priority Data**

Dec. 27, 2019 (CN) 201930734132.0

(51) **LOC (13) Cl.** **03-01**

(52) **U.S. Cl.**
USPC **D3/298**; D14/223; D3/273; D13/108

(58) **Field of Classification Search**
USPC D3/272, 273, 274, 201, 205, 206, 218, D3/269, 282, 294, 298; D6/315, 326;
(Continued)

(56) **References Cited**

U.S. PATENT DOCUMENTS

D476,572 S * 7/2003 Merritt D28/82
D531,025 S * 10/2006 Tanner D9/426
(Continued)

FOREIGN PATENT DOCUMENTS

CN 304744514 * 7/2018
CN 305219275 * 6/2019
(Continued)

OTHER PUBLICATIONS

Amazon.com, site visited Nov. 22, 2021, Sony Wireless Bluetooth In Ear Headphones, Extra Bass, First available Mar. 21, 2018, <https://www.amazon.com/gp/product/B079GYWPJN> (Year: 2018).*
(Continued)

Primary Examiner — Brett Miller
Assistant Examiner — Jessica M Gebhart

(74) *Attorney, Agent, or Firm* — Young Basile Hanlon & MacFarlane, P.C.

(57) **CLAIM**

The ornamental design for an earphone case, as shown and described.

DESCRIPTION

FIG. 1 is a top, front, and right perspective view of the earphone case showing our new design, shown in a closed configuration.

FIG. 2 is a bottom, rear, and left perspective view of the earphone case of FIG. 1, shown in the closed configuration.

FIG. 3 is a front view of the earphone case of FIG. 1, shown in the closed configuration.

FIG. 4 is a rear view of the earphone case of FIG. 1, shown in the closed configuration.

FIG. 5 is a left side view of the earphone case of FIG. 1, shown in the closed configuration.

FIG. 6 is a right side view of the earphone case of FIG. 1, shown in the closed configuration.

FIG. 7 is a top view of the earphone case of FIG. 1, shown in the closed configuration.

FIG. 8 is a bottom view of the earphone case of FIG. 1, shown in the closed configuration.

FIG. 9 is a top, front, and right perspective view of the earphone case of FIG. 1, shown in an open configuration.

FIG. 10 is a bottom, rear, and left perspective view of the earphone case of FIG. 1, shown in the open configuration.

FIG. 11 is a front view of the earphone case of FIG. 1, shown in the open configuration.

FIG. 12 is a rear view of the earphone case of FIG. 1, shown in the open configuration.

(Continued)

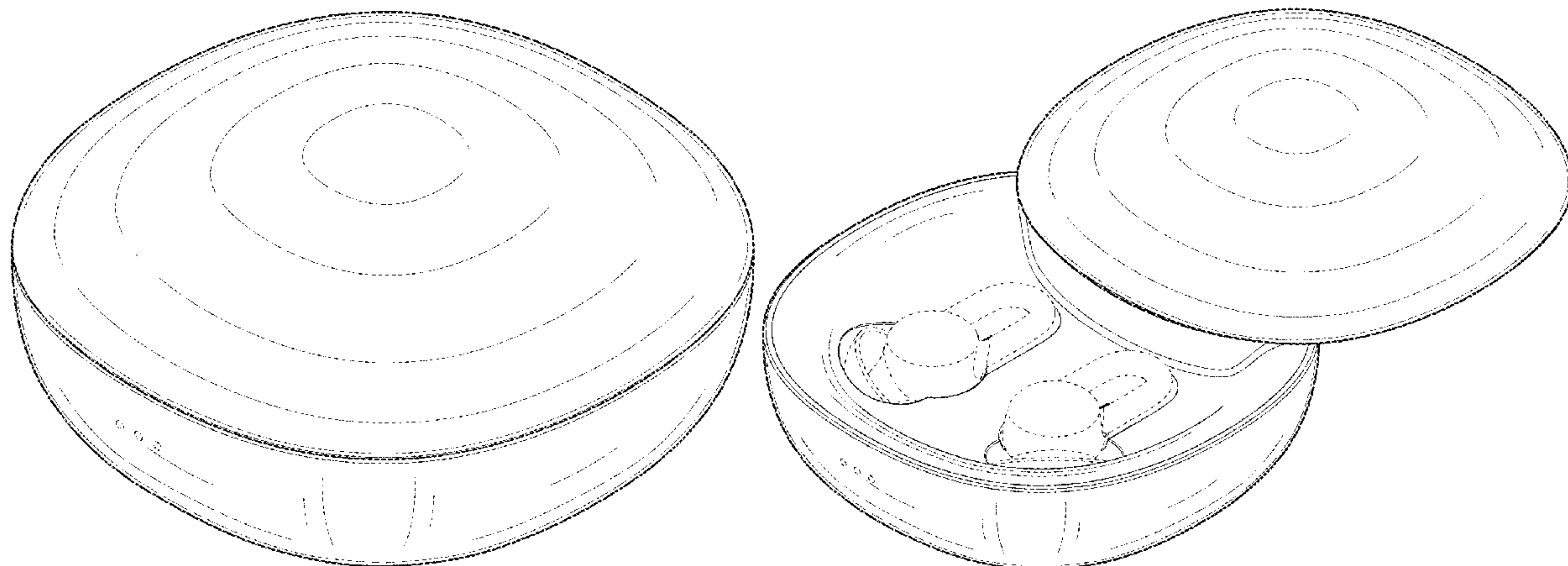


FIG. 13 is a left side view of the earphone case of FIG. 1, shown in the open configuration.
 FIG. 14 is a right side view of the earphone case of FIG. 1, shown in the open configuration.
 FIG. 15 is a top view of the earphone case of FIG. 1, shown in the open configuration; and,
 FIG. 16 is a bottom view of the earphone case of FIG. 1, shown in the open configuration.
 The ornamental design which is claimed is shown in solid lines in the drawings. The broken line showing in FIGS. 1-16 illustrates the environment, which forms no part of the claimed design. The shade lines in the figures show contour, not surface ornamentation and form no part of the claimed design.

1 Claim, 6 Drawing Sheets

(58) **Field of Classification Search**

USPC D7/391, 601, 641; D13/107, 108;
 D14/201, 223; D32/9, 58; D19/86;
 D9/420, 423, 426, 428, 430, 431, 432,
 D9/436, 499, 558, 717, 721
 CPC H04R 1/1025; H02J 7/0044; Y02E 60/12;
 Y01R 13/6675; B65D 85/182; B65D
 73/02; A47F 8/02

See application file for complete search history.

(56) **References Cited**

U.S. PATENT DOCUMENTS

D534,423 S * 1/2007 Tanner D9/426
 D547,176 S * 7/2007 Sansoldo D9/423
 D556,444 S * 12/2007 Ipsen D3/203.1
 D851,035 S * 6/2019 Hong D13/108

D876,834 S * 3/2020 Breen D3/298
 D888,664 S * 6/2020 Ma D13/108
 D904,295 S * 12/2020 Cai D13/108
 D904,901 S * 12/2020 Koneru D9/721
 D913,224 S * 3/2021 Kim D13/108
 D921,582 S * 6/2021 Liu D13/108
 D923,936 S * 7/2021 Lee D3/294
 D928,123 S * 8/2021 Gao D14/223
 D931,207 S * 9/2021 Briggs D13/108

FOREIGN PATENT DOCUMENTS

JP D1628901 S 4/2019
 JP D1628958 * 4/2019
 JP D1639638 * 8/2019
 JP D1641633 S 9/2019
 TW D197469 S 5/2019
 TW D198756 S 7/2019

OTHER PUBLICATIONS

Amazon.com, site visited Nov. 17, 2021, Universal Earbuds IEMs Case, First available May 6, 2019, <https://www.amazon.com/Universal-Earphone-Protective-Waterproof-Aluminum/dp/B08LVZ7WCF> (Year: 2019).*

Amazon.com, site visited Nov. 18, 2021, Anker Soundcore Liberty Wireless Earbuds, First Available May 31, 2019, <https://www.amazon.com/Soundcore-Diamond-Coated-Personalized-Headphones-Cancellation/dp/B07SHGN942> (Year: 2019).*

Youtube.com, site visited Jul. 25, 2019, "PaMu Slide Plus Truly Wireless Earphones Review" uploaded by TechDaily on Jul. 25, 2019, Still taken at 0:49, <https://www.youtube.com/watch?v=RzWxGPcE4XQ> (Year: 2019).*

Amazon.com, site visited Nov. 22, 2021, Lafitear Wireless Earbuds, First available Sep. 16, 2019, <https://www.amazon.com/Lafitear-Comfortable-Bluetooth-Multi-Size-Earphones/dp/B07XXZJCWC> (Year: 2019).*

* cited by examiner

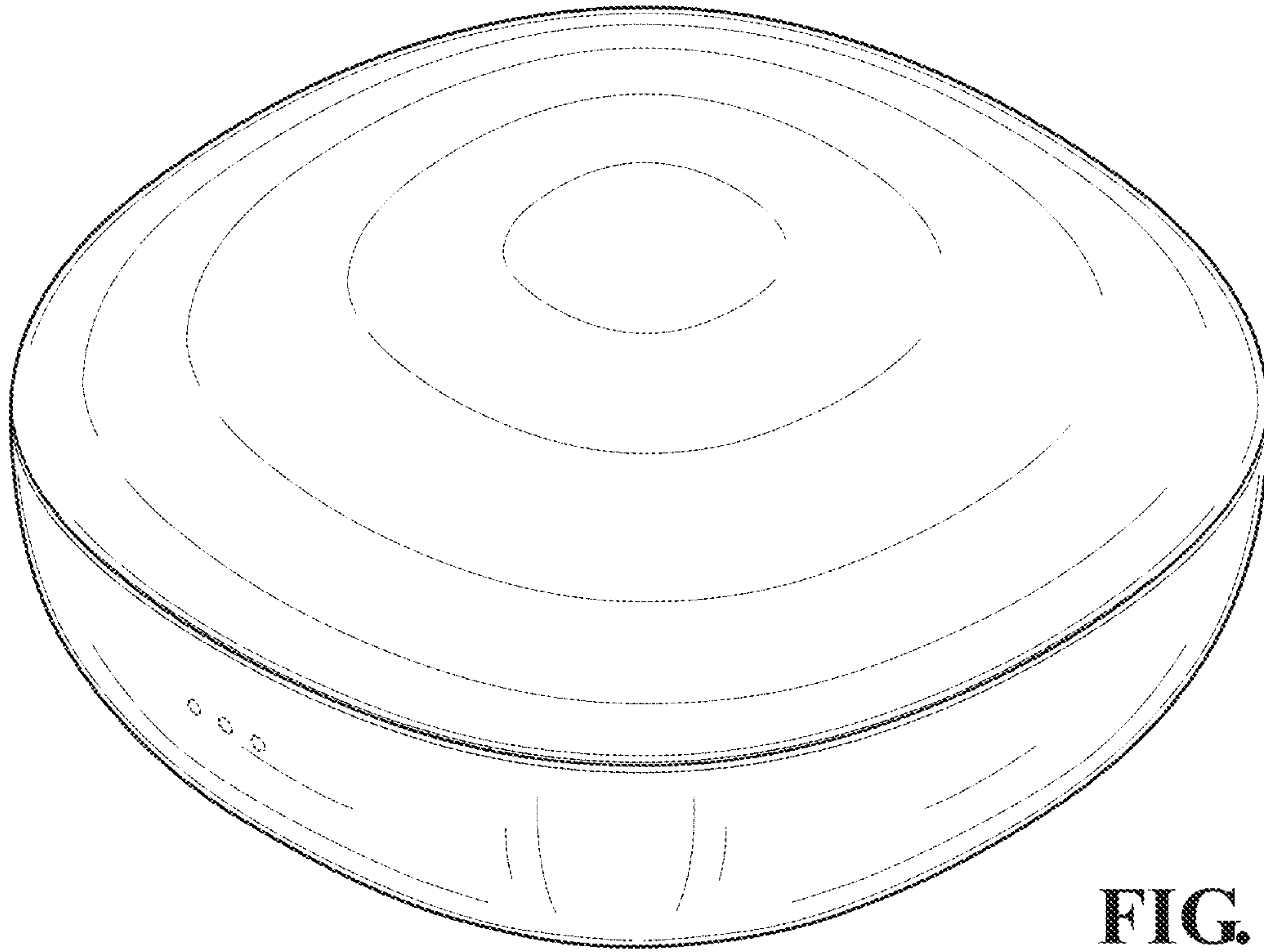


FIG. 1

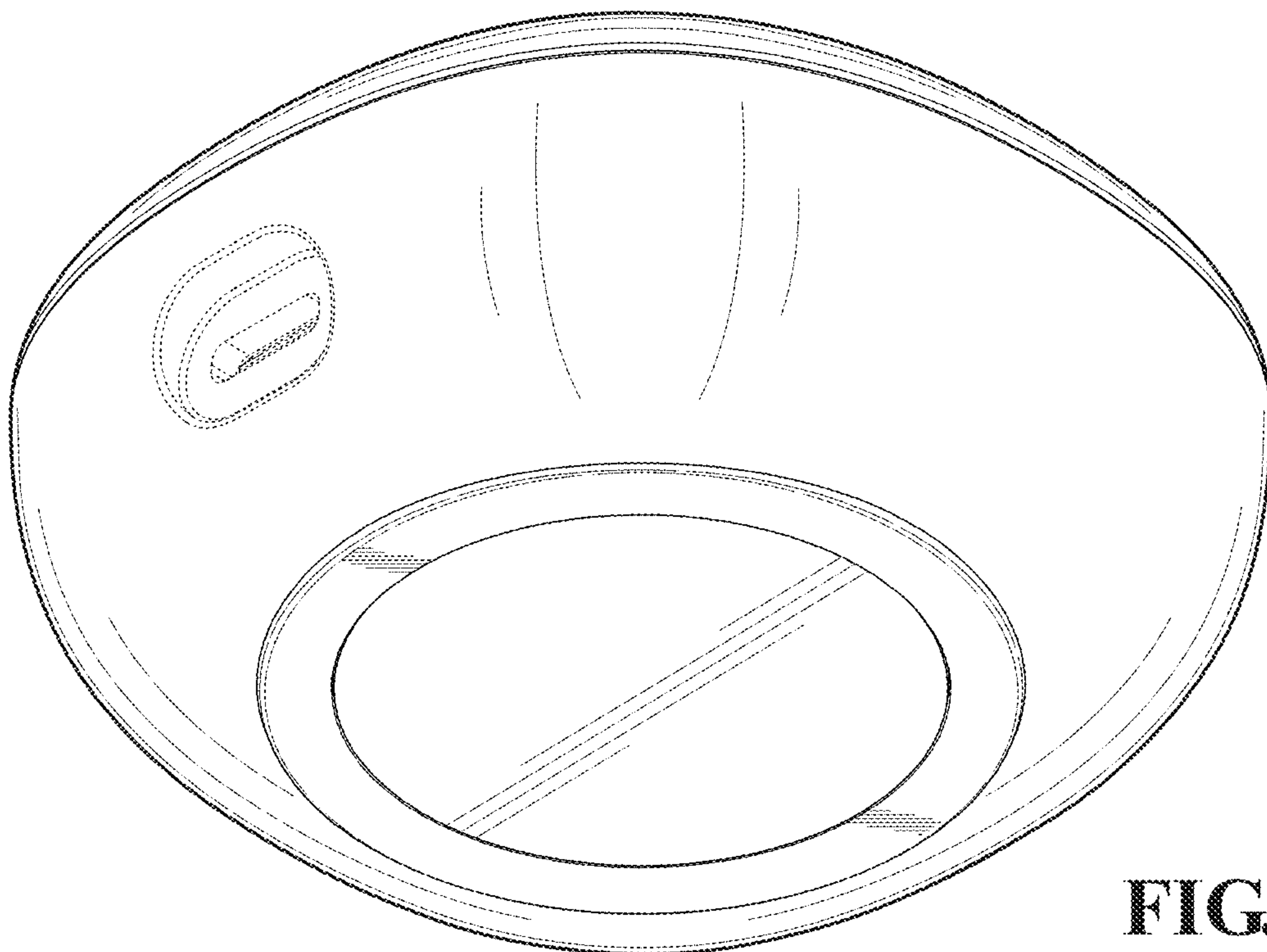


FIG. 2

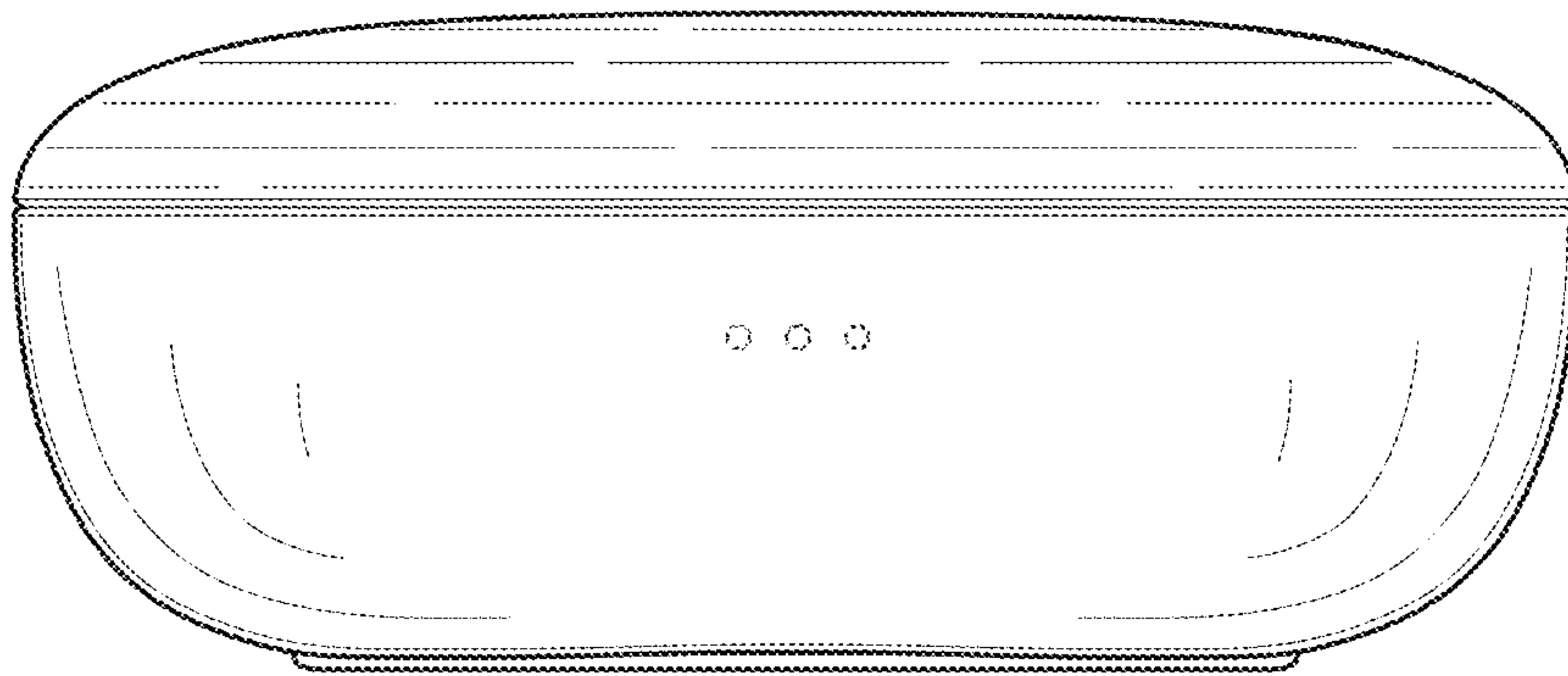


FIG. 3

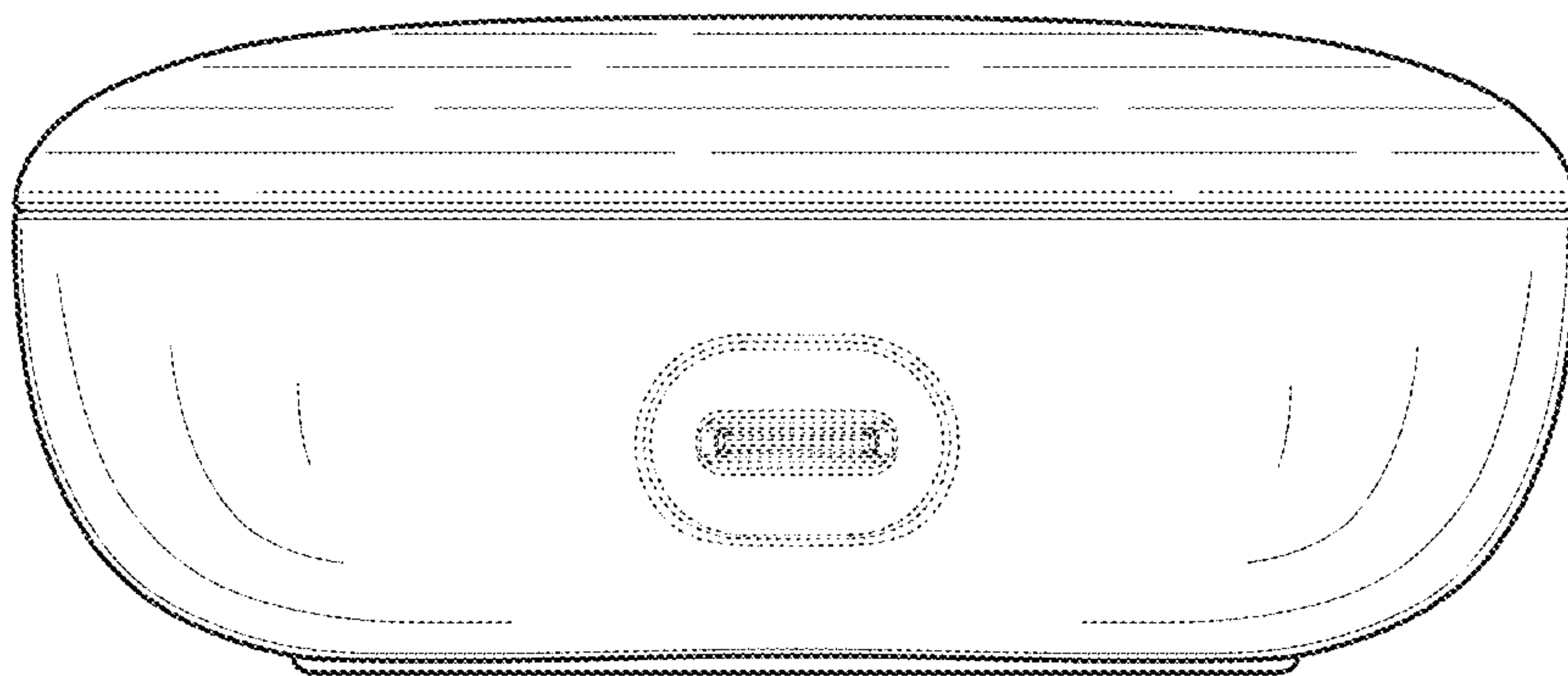


FIG. 4

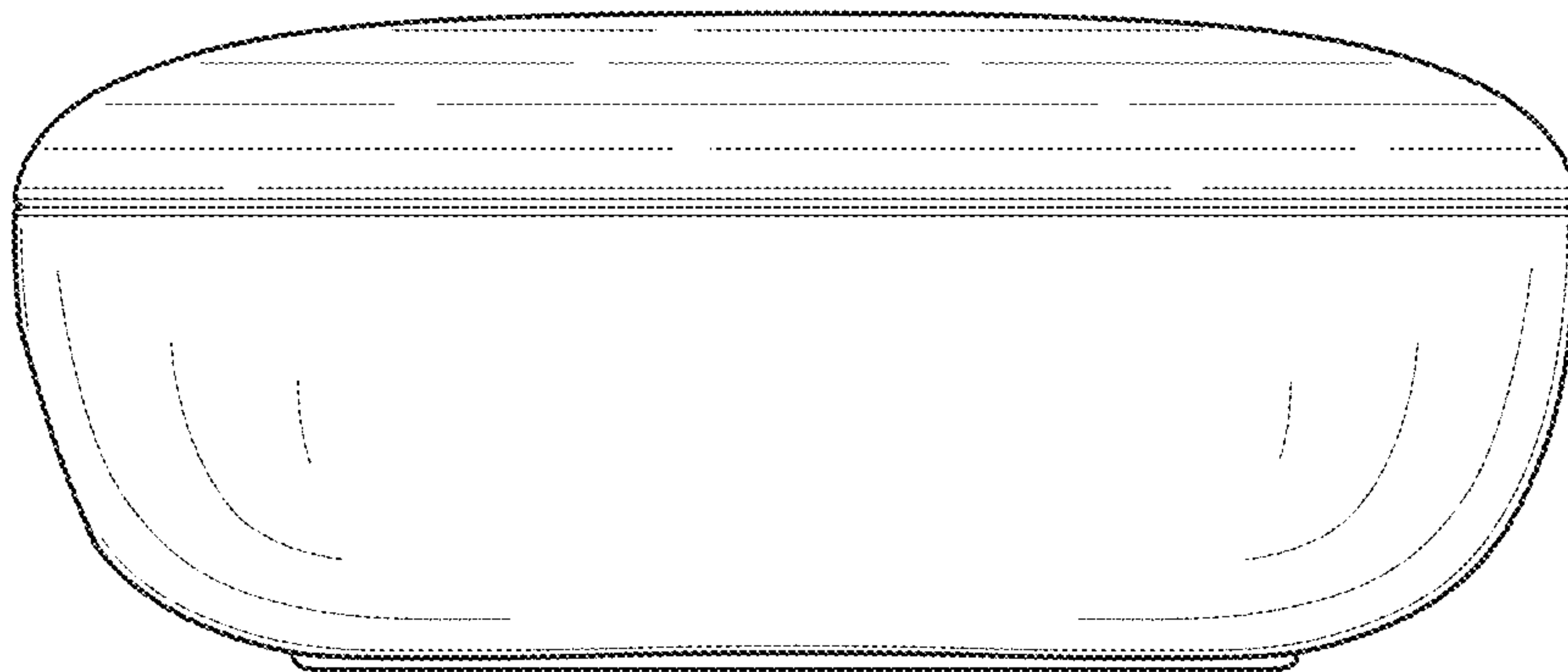


FIG. 5

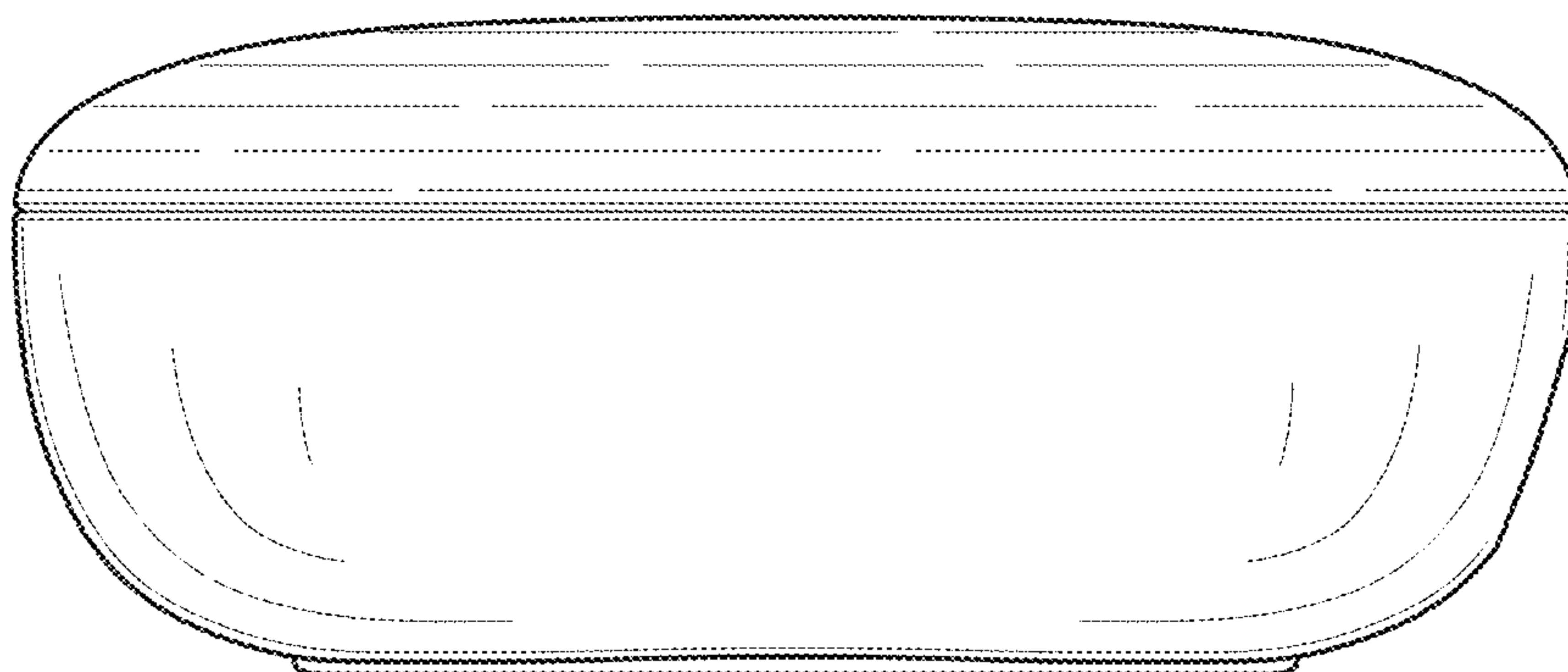


FIG. 6

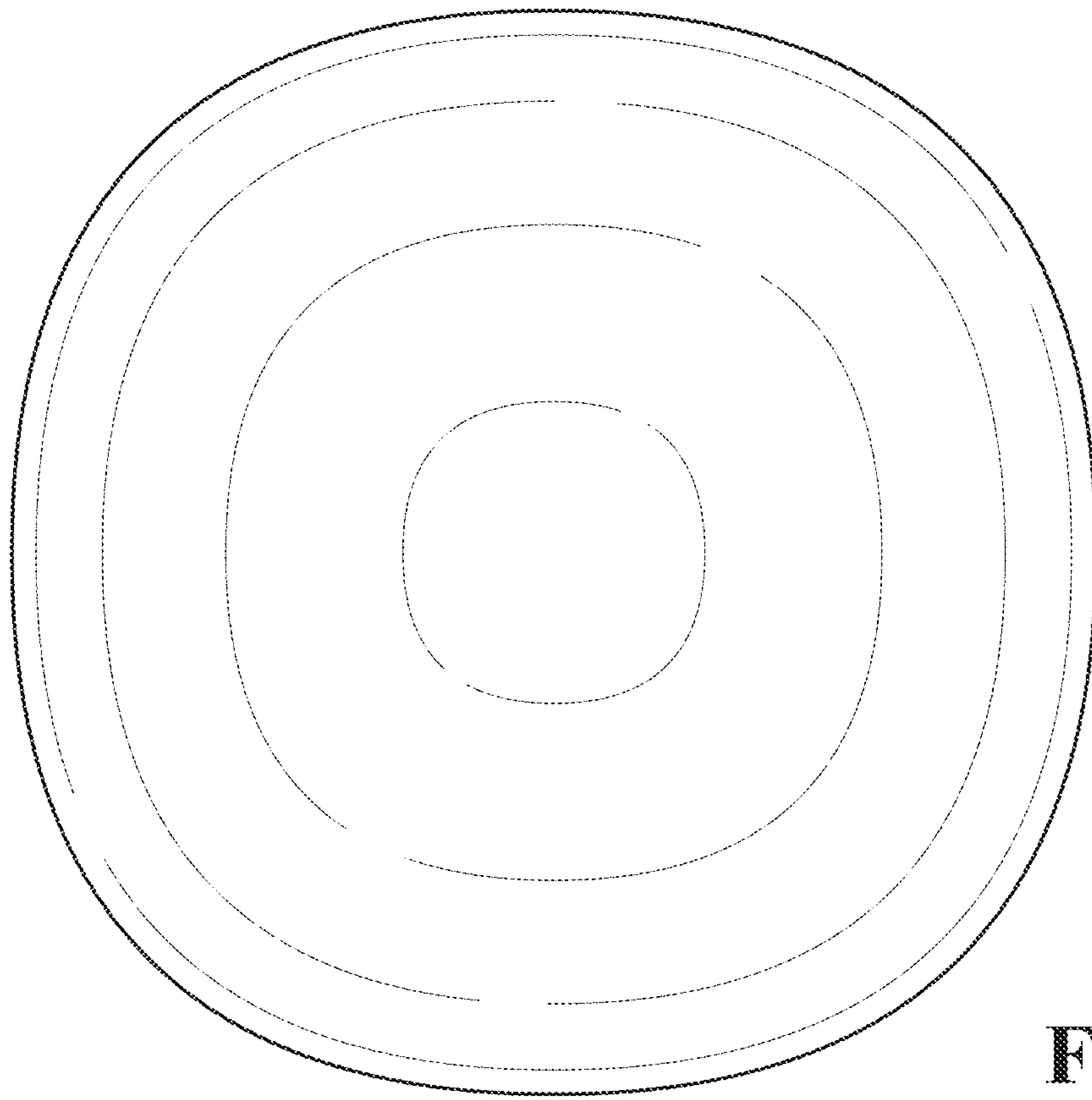


FIG. 7

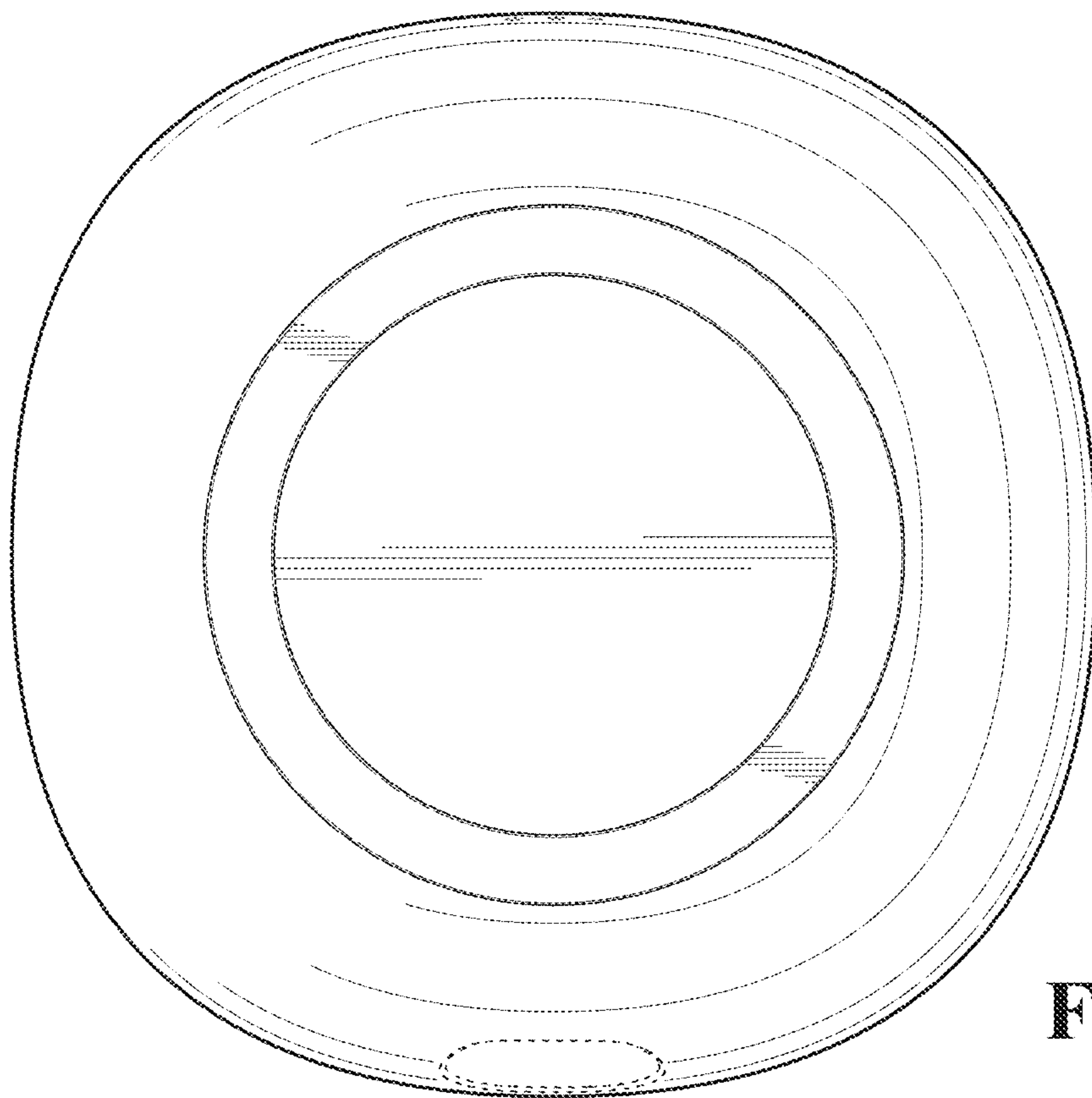


FIG. 8

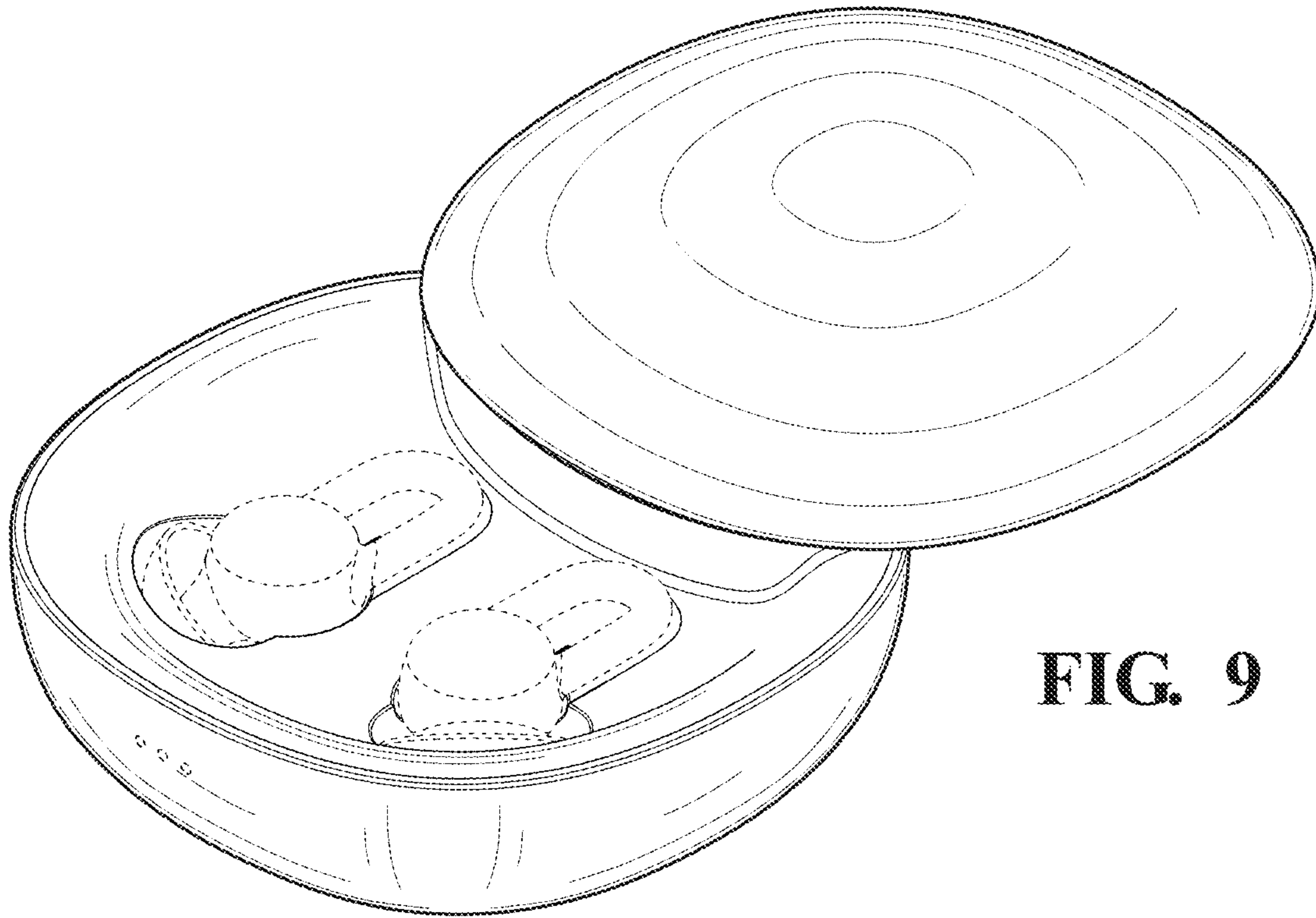


FIG. 9

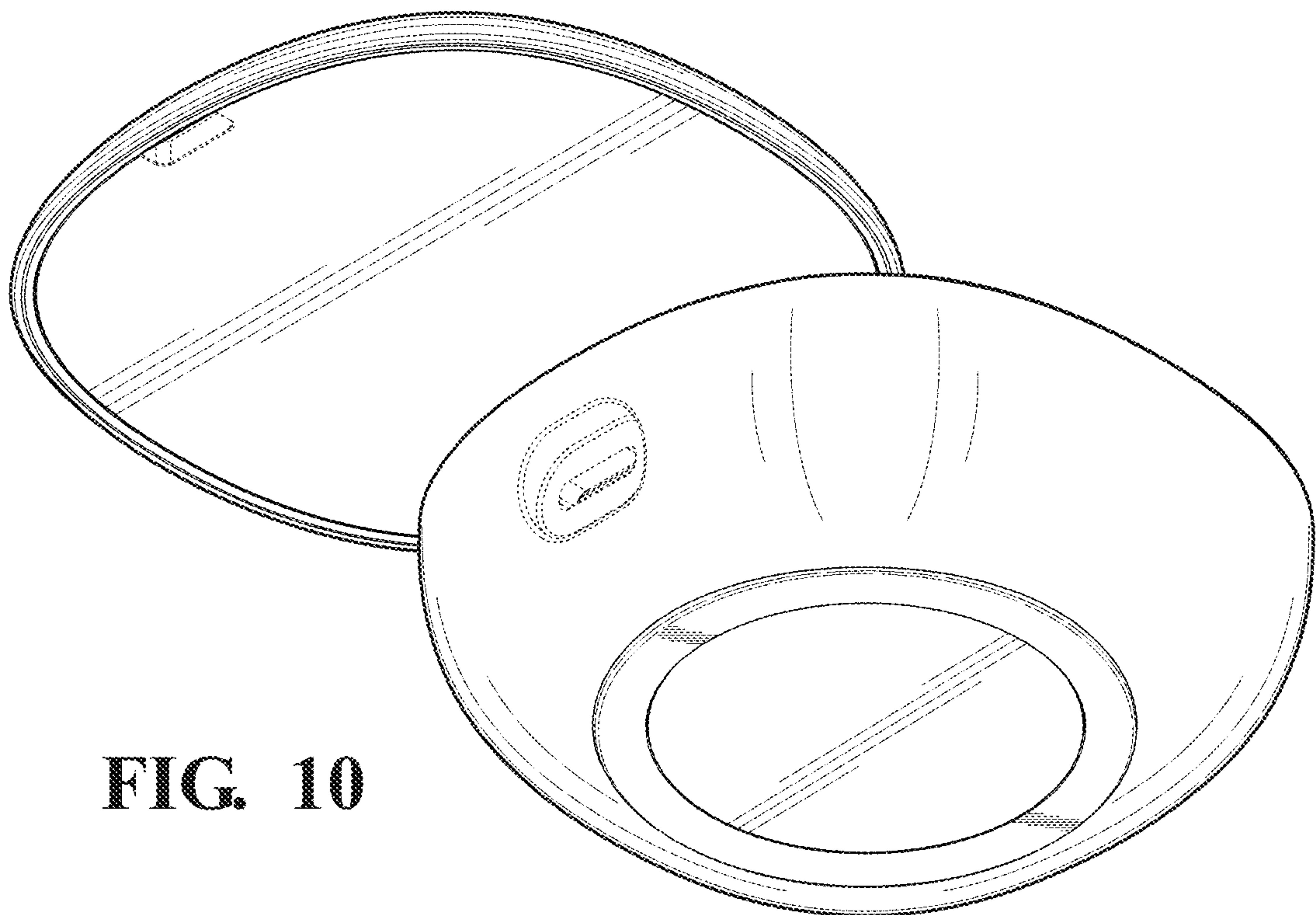


FIG. 10

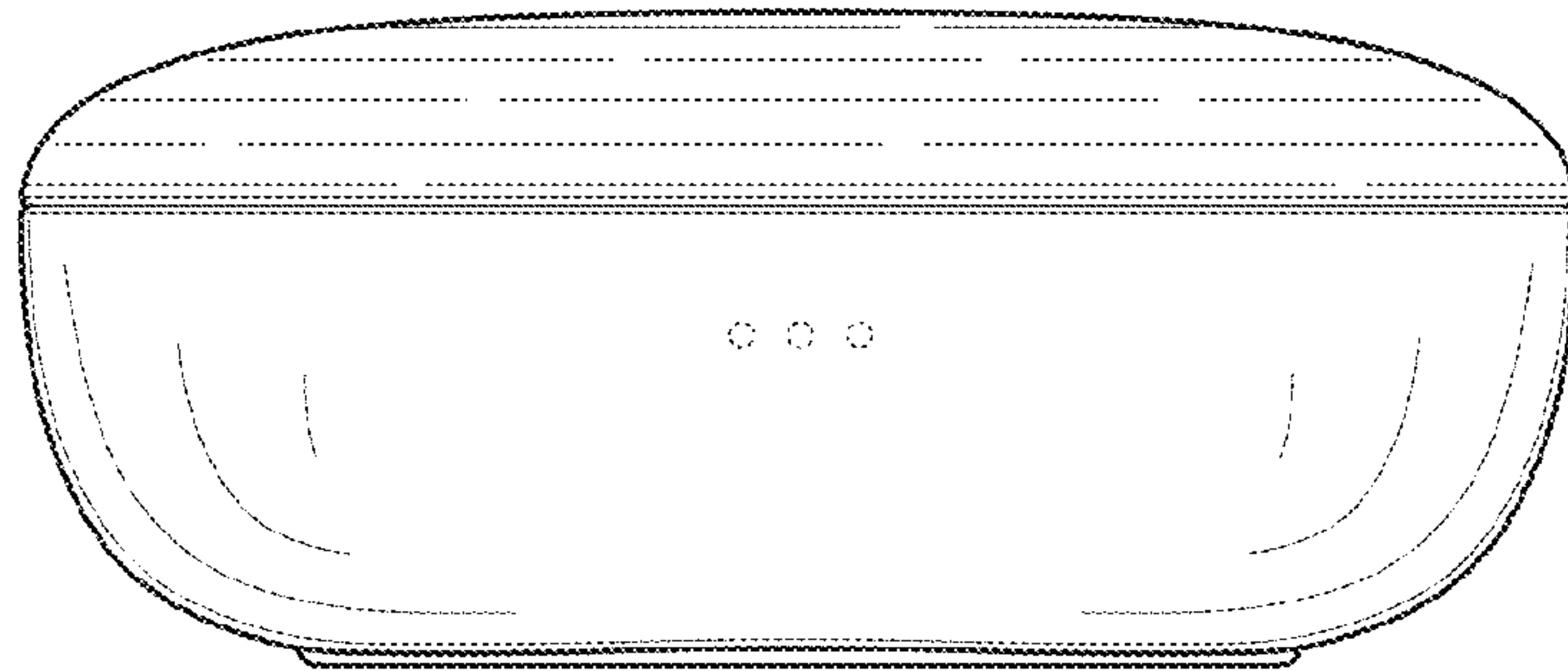


FIG. 11

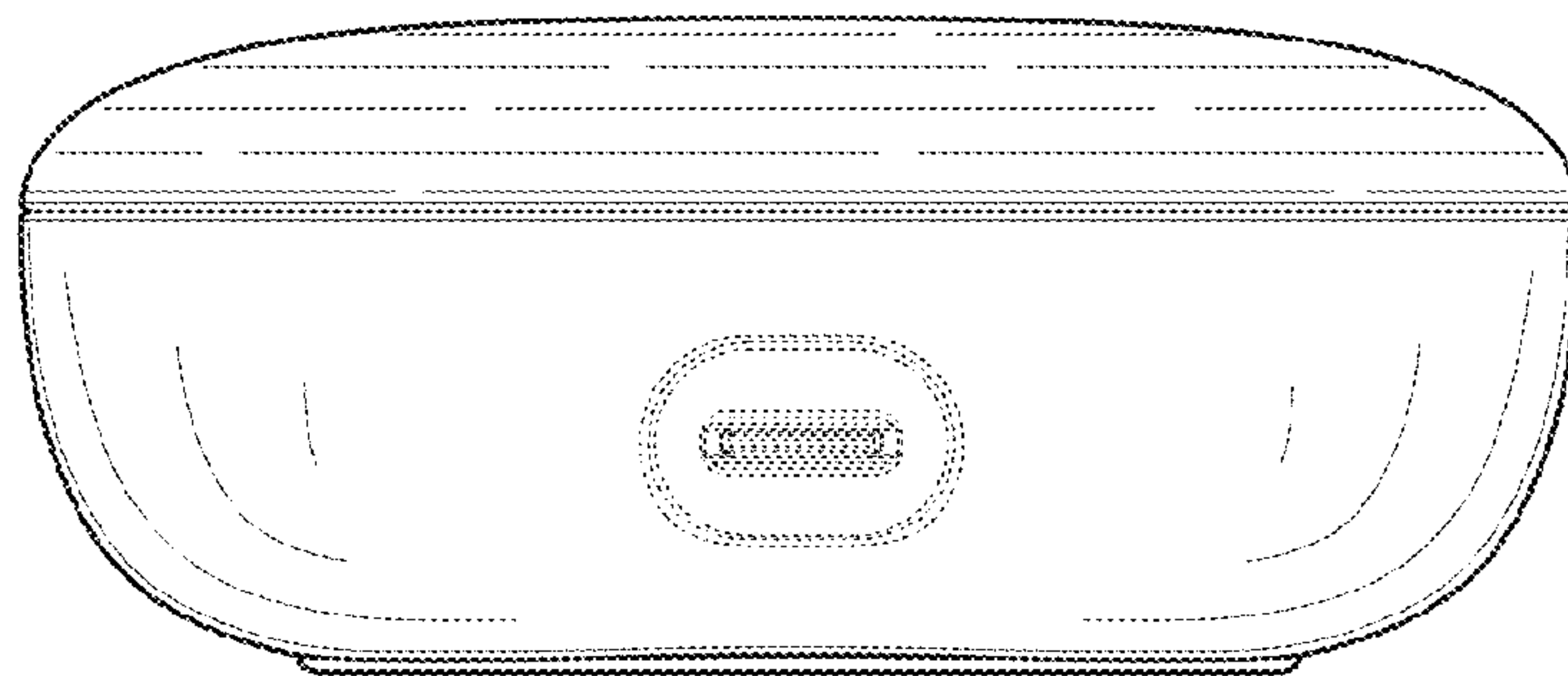


FIG. 12

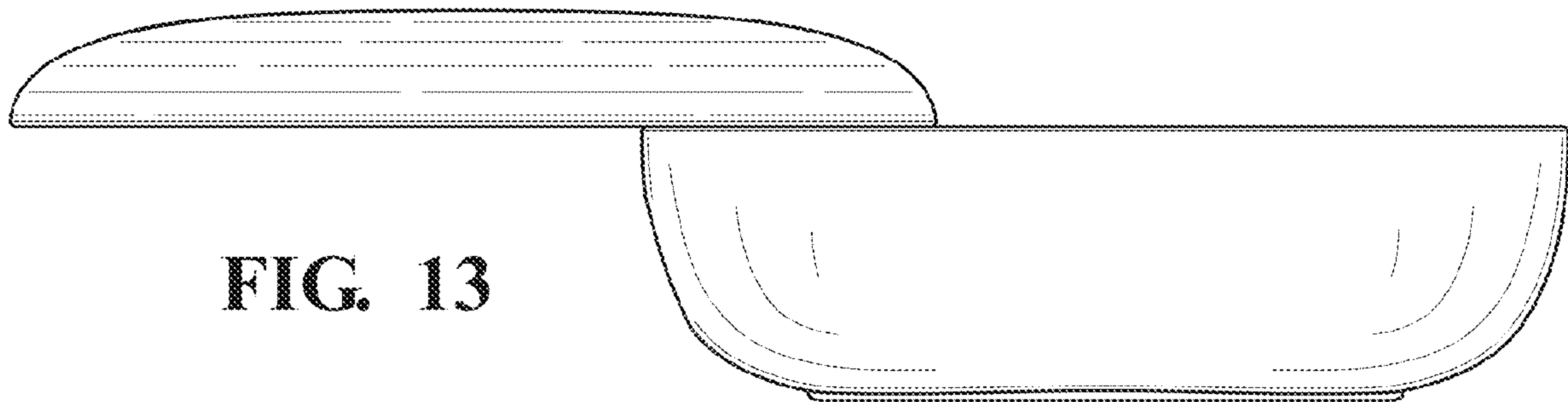


FIG. 13

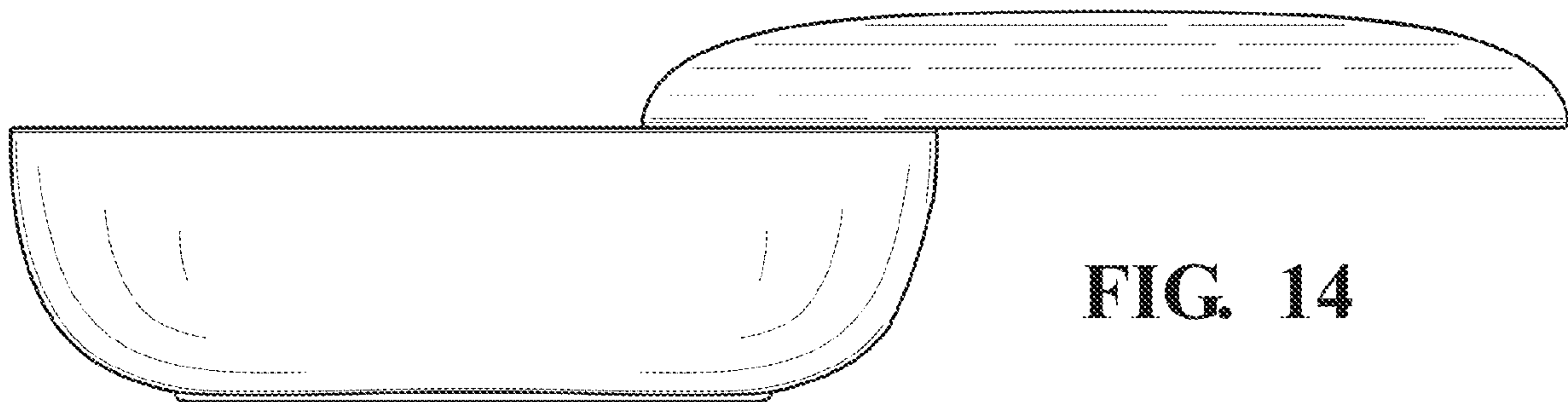


FIG. 14

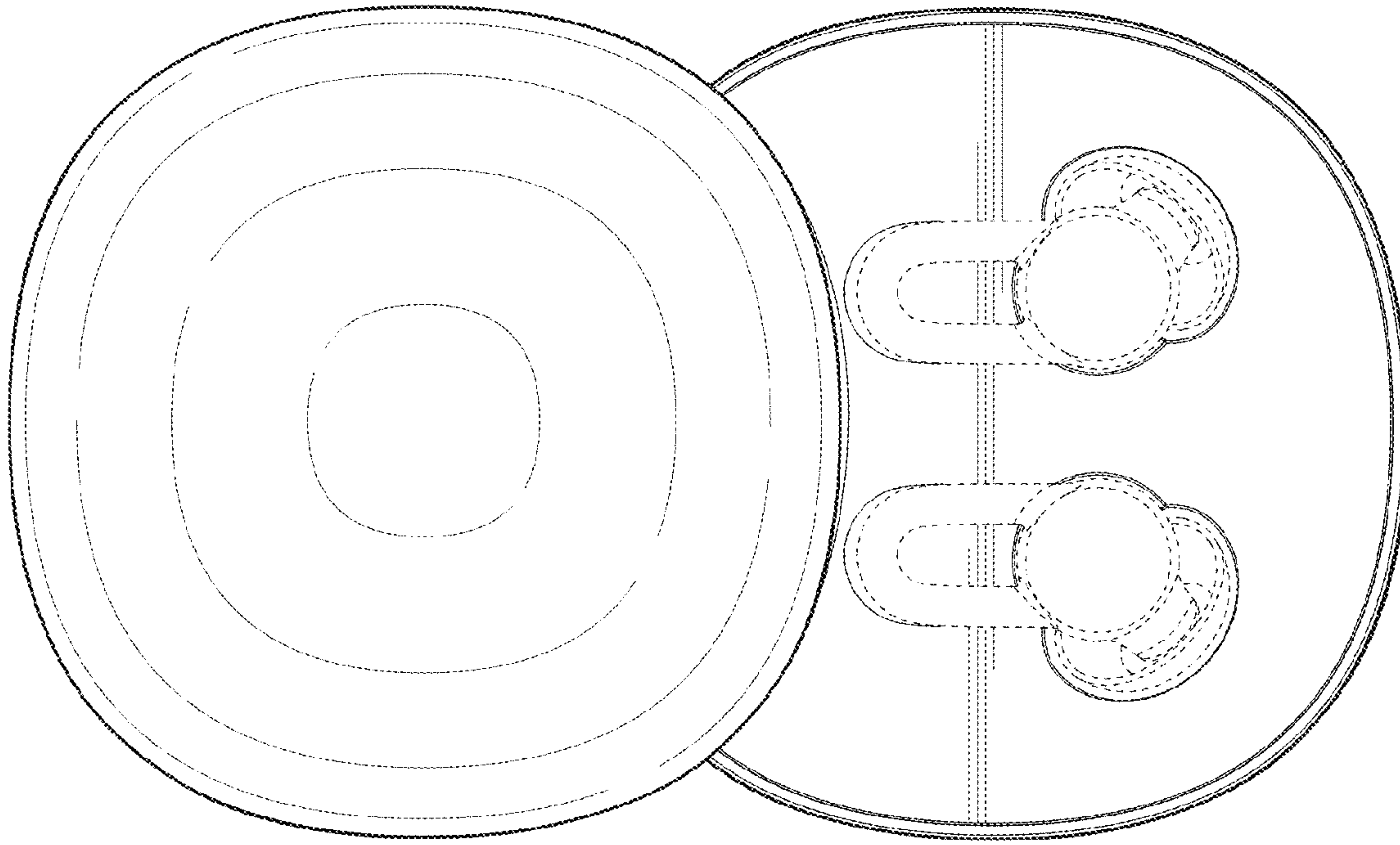


FIG. 15

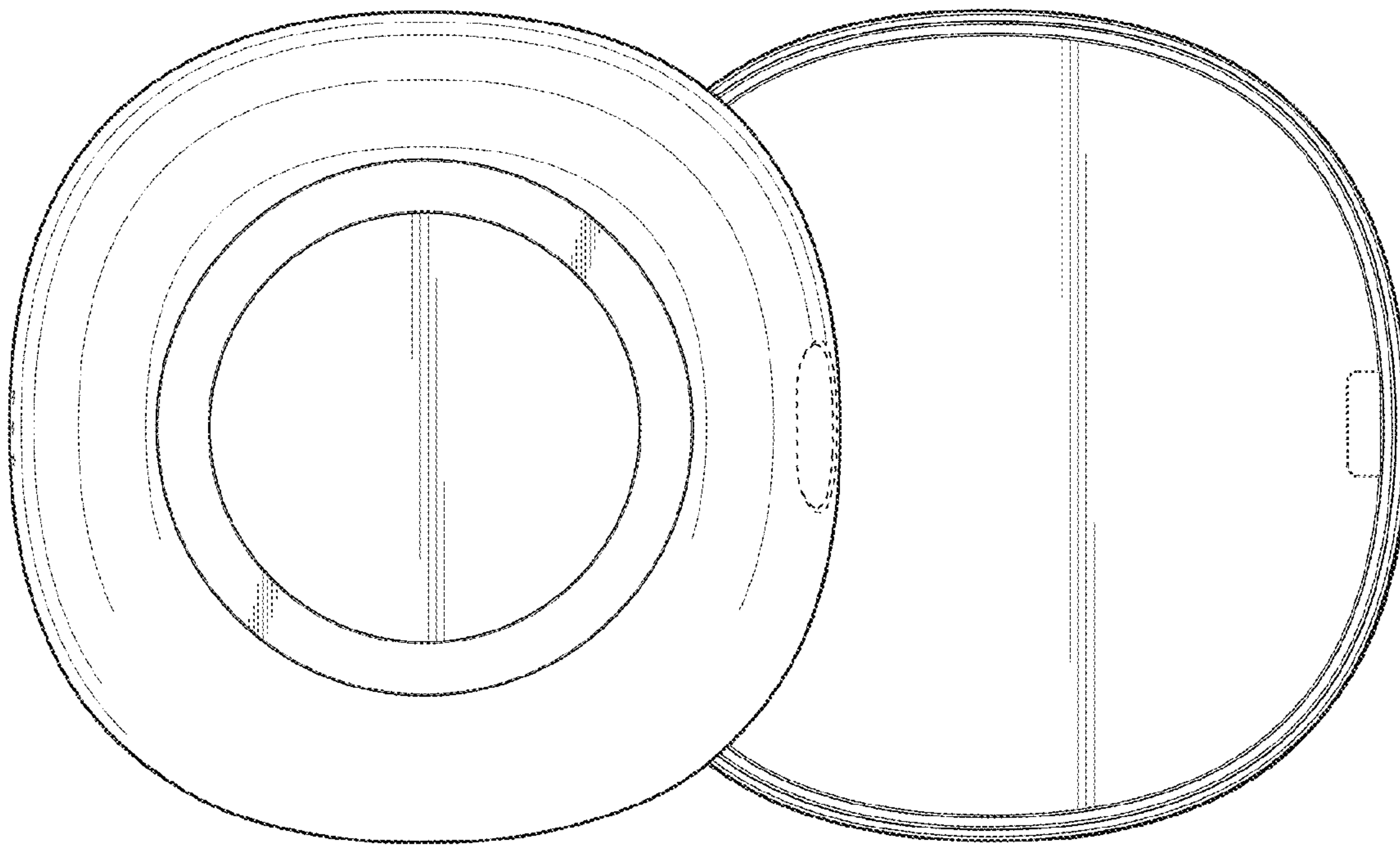


FIG. 16