



US00D962643S

(12) **United States Design Patent** (10) **Patent No.:** **US D962,643 S**
Akana et al. (45) **Date of Patent:** **** Sep. 6, 2022**

(54) **CASE**

(71) Applicant: **Apple Inc.**, Cupertino, CA (US)

(72) Inventors: **Jody Akana**, San Francisco, CA (US); **Molly Anderson**, San Francisco, CA (US); **Bartley K. Andre**, Palo Alto, CA (US); **Shota Aoyagi**, San Francisco, CA (US); **Anthony Michael Ashcroft**, San Francisco, CA (US); **Marine C. Bataille**, San Francisco, CA (US); **Jeremy Bataillou**, San Francisco, CA (US); **Abidur Rahman Chowdhury**, San Francisco, CA (US); **Markus Diebel**, San Francisco, CA (US); **M. Evans Hankey**, San Francisco, CA (US); **Julian Hoenig**, San Francisco, CA (US); **Richard P. Howarth**, San Francisco, CA (US); **Jonathan P. Ive**, San Francisco, CA (US); **Julian Jaede**, San Francisco, CA (US); **Duncan Robert Kerr**, San Francisco, CA (US); **Peter Russell-Clarke**, San Francisco, CA (US); **Benjamin Andrew Shaffer**, San Jose, CA (US); **Sung-Ho Tan**, Vienna (AT); **Clement Tissandier**, San Francisco, CA (US); **Eugene Antony Whang**, San Francisco, CA (US); **Rico Zörkendörfer**, San Francisco, CA (US)

(73) Assignee: **Apple Inc.**, Cupertino, CA (US)

(**) Term: **15 Years**

(21) Appl. No.: **29/811,151**

(22) Filed: **Oct. 12, 2021**

Related U.S. Application Data

(63) Continuation of application No. 29/764,869, filed on Jan. 4, 2021, now Pat. No. Des. 933,636, which is a continuation of application No. 29/706,555, filed on Sep. 20, 2019, now Pat. No. Des. 907,009.

(51) **LOC (13) Cl.** **03-01**

(52) **U.S. Cl.**

USPC **D3/294**; D3/201; D14/223

(58) **Field of Classification Search**

USPC D3/201, 294, 295, 273; D14/223, 205, D14/224; D9/420, 423, 627, 748, 455, D9/426, 425; D28/76, 78, 83, 66; 206/320, 259; 220/160.1, 8; 132/324; 229/226, 149, 232; 320/110; D6/536; D16/237; 455/90.3, 575.1, 569.1; D13/107, 108

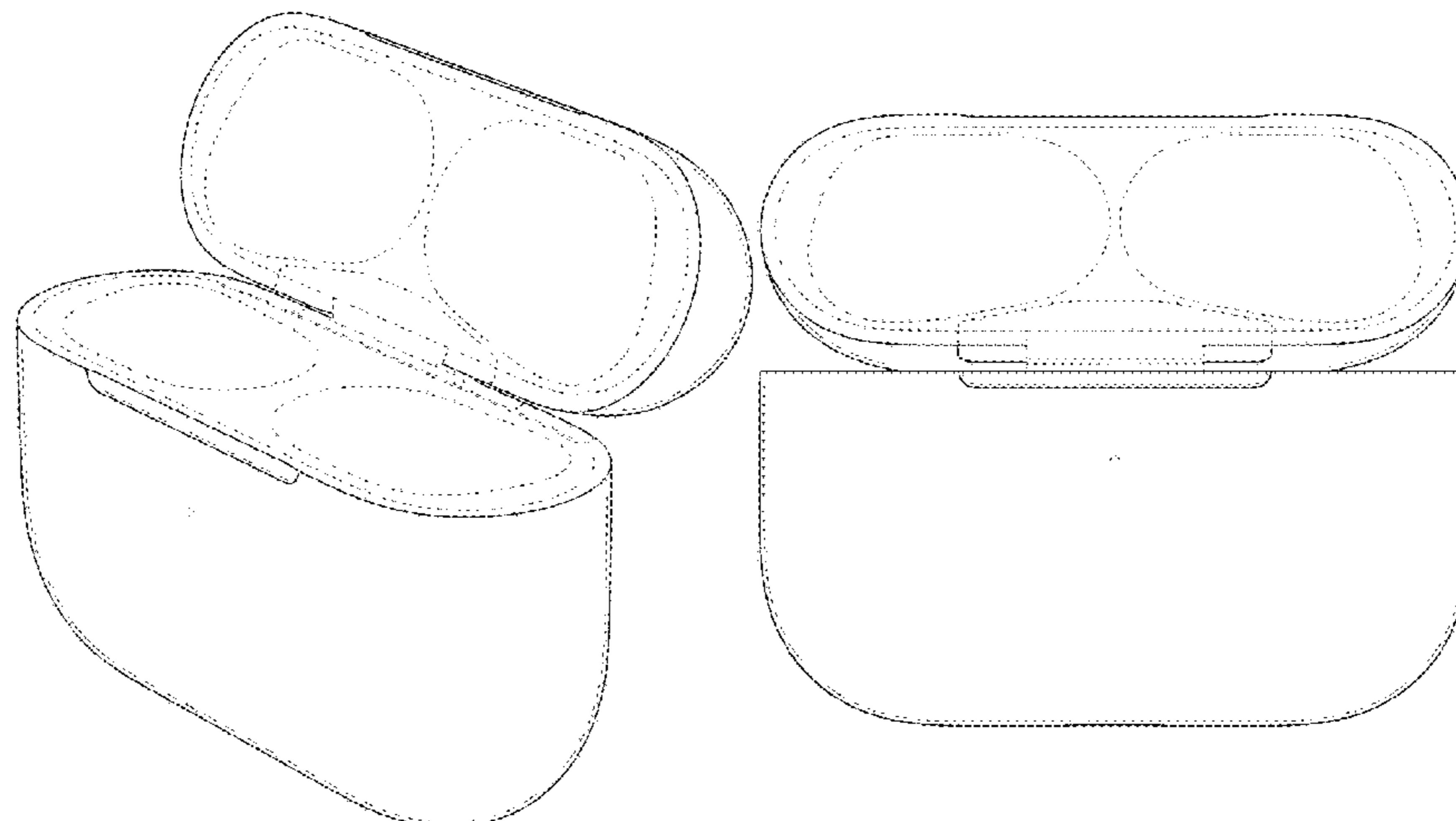
CPC . H04R 1/02; H04R 1/10; H04R 25/00; H04R 25/02; H04R 1/1066; H04R 1/1016; B26F 3/00; B65D 5/00; B65D 43/168; B65D 43/24

See application file for complete search history.

(56) **References Cited**

U.S. PATENT DOCUMENTS

228,598 A	6/1880	Buckley	
D49,217 S	6/1916	King	
3,246,815 A	4/1966	Aronson	
3,911,936 A *	10/1975	Kingsford	A45D 33/006 132/316
D245,818 S	9/1977	Persson	
D281,281 S	11/1985	Matalon	
D285,687 S	9/1986	Manock et al.	
D291,947 S	9/1987	Nakata	
D306,519 S	3/1990	Nakata	
D310,480 S	9/1990	Geiger	
D312,629 S	12/1990	Esslinger	
D322,687 S *	12/1991	Tschudin	D27/189
D322,752 S	12/1991	Zintzmeyer	
5,161,556 A *	11/1992	Audebourg	A45D 40/22 132/296
D339,215 S	9/1993	Spencer	
D342,676 S	12/1993	Wuttke	
D349,644 S	8/1994	Miyairi et al.	
D356,828 S	3/1995	Harris	
D359,819 S *	6/1995	McIlvain	D28/78
D364,708 S	11/1995	Tarrson et al.	
D367,608 S	3/1996	Stranders	
5,638,838 A *	6/1997	Lombardi	A45C 13/005 132/294
D380,355 S	7/1997	Husted	
D399,604 S	10/1998	Wolff	
D404,201 S	1/1999	Wennerstrom	
D422,139 S	4/2000	Meikle	



US D962,643 S

Page 2

D426,950 S	6/2000	Conway	
D427,424 S	7/2000	Conway	
D436,434 S	1/2001	Conway	
D449,521 S	* 10/2001	Pinkus	D9/423
D449,536 S	* 10/2001	Kokubo	D9/529
D463,907 S	10/2002	Lemoine	
D464,941 S	10/2002	Latto et al.	
D467,799 S	* 12/2002	Persson	D9/420
D475,282 S	6/2003	Snaith et al.	
D478,546 S	8/2003	Andre et al.	
D479,823 S	9/2003	Andre et al.	
D482,618 S	11/2003	Cummings	
D493,257 S	7/2004	McCorkindale	
D505,068 S	5/2005	Cunningham et al.	
D505,744 S	6/2005	Andre et al.	
D510,029 S	9/2005	Marcot	
D528,012 S	9/2006	Snyder	
D532,695 S	11/2006	Grant	
D540,313 S	4/2007	Rausch et al.	
D541,173 S	4/2007	Karussi et al.	
D542,664 S	5/2007	Mayers	
D553,077 S	* 10/2007	Kim	D13/108
D576,037 S	9/2008	Beam et al.	
D605,587 S	* 12/2009	Nomi	D13/107
D616,738 S	6/2010	Andre et al.	
D637,647 S	5/2011	Allison et al.	
D651,903 S	1/2012	Teller	
D652,823 S	1/2012	Chen	
D656,093 S	* 3/2012	Nomi	D13/107
D672,642 S	12/2012	Supranowicz	
D681,015 S	4/2013	Akana et al.	
D683,902 S	6/2013	Zotalis	
D687,224 S	8/2013	Lacroix	
D691,372 S	10/2013	Chun	
D691,594 S	10/2013	Akana et al.	
D706,643 S	6/2014	Akana et al.	
8,739,967 B1	6/2014	George	
D708,784 S	7/2014	Kim	
D720,096 S	12/2014	McDougall	
D735,132 S	7/2015	Donohue, II et al.	
D735,991 S	8/2015	Brennan et al.	
D738,110 S	9/2015	Jiang et al.	
D740,223 S	* 10/2015	Yoneta	D13/108
D740,653 S	10/2015	Akana et al.	
D772,572 S	11/2016	Palmborg et al.	
D775,463 S	1/2017	Shieh	
D775,960 S	1/2017	Erdwiens	
D789,785 S	* 6/2017	Fujiwara	D9/424
D790,335 S	* 6/2017	Honings	D9/424
9,769,558 B2	9/2017	Chandramohan et al.	
D801,314 S	10/2017	Akana et al.	
D804,806 S	12/2017	Stueckemann et al.	
D806,388 S	1/2018	Akana et al.	
D816,322 S	5/2018	Choe et al.	
D818,268 S	5/2018	Akana et al.	
9,961,431 B2	5/2018	McPeak	
10,003,880 B2	6/2018	Wagman et al.	
D822,374 S	7/2018	Hung et al.	
D823,246 S	* 7/2018	Lin	D13/108
D826,152 S	8/2018	Christiansen	
D838,480 S	1/2019	Son et al.	
10,206,474 B2	2/2019	Brzezinski et al.	
D843,937 S	* 3/2019	Xiao	D13/108
D846,264 S	4/2019	Wu	
D849,401 S	5/2019	Akana et al.	
D870,451 S	12/2019	Birger	
D873,217 S	1/2020	Zhang	
D878,045 S	* 3/2020	Akana	D3/274
D881,572 S	* 4/2020	Wang	D3/294
D886,453 S	* 6/2020	Wright	D3/294
D887,351 S	6/2020	Bonahoom et al.	
D888,408 S	* 6/2020	Lee	D3/201
D888,664 S	* 6/2020	Ma	D13/108
10,701,472 B1	6/2020	Xu et al.	
D893,184 S	* 8/2020	Liu	D3/294
D893,185 S	8/2020	Liu	
D894,123 S	* 8/2020	Xiong	D13/108
D895,582 S	9/2020	Wu	
D897,291 S	9/2020	Akana et al.	
D897,678 S	10/2020	Koh	
D897,997 S	10/2020	Zhang	
D898,664 S	* 10/2020	Bhutani	D13/108
D902,588 S	11/2020	Zhang	
D904,025 S	* 12/2020	Ma	D3/295
D906,299 S	12/2020	Luo	
D907,009 S	* 1/2021	Akana	D14/223
D911,027 S	2/2021	Liang et al.	
D911,944 S	* 3/2021	Gao	D13/108
D912,622 S	* 3/2021	Zhou	D13/108
D914,591 S	* 3/2021	Ganapathy	D13/107
D918,138 S	5/2021	Ma	
D922,946 S	6/2021	Chen	
D923,609 S	6/2021	Li	
D927,417 S	8/2021	Sretovic	
D927,465 S	8/2021	Wang	
D929,969 S	9/2021	Ding	
D930,361 S	9/2021	Jacobs	
D931,210 S	9/2021	Lee	
D931,258 S	9/2021	Ding	
D931,605 S	9/2021	Zhu	
D931,838 S	9/2021	Deng	
D932,428 S	* 10/2021	Reimann	D13/108
D932,468 S	10/2021	Xin	
D933,595 S	* 10/2021	Geng	D13/108
D933,602 S	* 10/2021	Zhang	D13/108
D933,636 S	* 10/2021	Akana	D14/223
D934,563 S	* 11/2021	Xiang	D3/294
2008/0090622 A1	* 4/2008	Kim	H04R 1/1091 455/573
2017/0094399 A1	3/2017	Chandramohan et al.	
2018/0064224 A1	* 3/2018	Brzezinski	H02J 7/025
2020/0107098 A1	4/2020	DiFonzo et al.	
2021/0058687 A1	* 2/2021	Liu	H04R 1/02
2021/0229424 A1	* 7/2021	Qian	B41J 2/04586
2021/0274275 A1	* 9/2021	Daniels	H04R 1/1041

FOREIGN PATENT DOCUMENTS

CN	305299425 S	8/2019
EM	003784321-0001	* 3/2017
EM	006085924-0001	* 1/2019
EM	007308564-0001	* 11/2019
EM	007743737-0001	* 3/2020
EM	001477913-0001	* 4/2020
EM	008314132-0001	* 12/2020
EM	008508840-0001	* 4/2021
EM	008520050-0001	* 4/2021
EM	008533822-0001	* 5/2021
EM	008648224-0001	* 8/2021
EM	008731269-0001	* 10/2021
GB	9008020077-0001	* 6/2020
GB	9008036453-0001	* 7/2020
GB	6117182	* 2/2021
GB	6122698	* 3/2021
JP	D1638460	7/2020
JP	D1667774	* 8/2020
JP	D1695706	* 9/2021
JP	D1696912	* 9/2021
JP	D1701051	* 11/2021
KR	300980148	11/2018
KR	301007505.0000	* 5/2019

OTHER PUBLICATIONS

Amazon, "DUBS Noise Cancelling Music Ear Plugs", dated Nov. 26, 2014. (<https://www.amazon.com/DUBS-Noise-Cancelling-Music-Plugs/dp/B00NW1IZ5Q>).

"Samsung's stylish mobile accessories are launching worldwide" (via engadget), dated Oct. 31, 2016. (<https://www.engadget.com/2016/10/31/samsung-stylish-mobile-accessories/#/>).

Kogan, "Reviews of Kogan W8 II True Wireless Earphones (Black)", comment on pictured model dated Aug. 7, 2019. (<https://www.kogan.com/au/review/kogan-w8-ii-true-wireless-earphones-black/>), 6 pages.

"Review: Hush smart earplugs put a waterfall in your ear", dated May 11, 2016. (<https://newatlas.com/hush-smart-earplug-review/43272/>).

Round corners for Openscad—Tutorial (written by William A Adams), dated Jun. 15, 2011. (<https://www.thingiverse.com/thing:9347>).

Urbanista, “Stockholm”, dated Apr. 21, 2019. (<http://www.urbanista.com/us/stockholm>), 22 pages.

Veho Pebble Explorer Portable Power Bank, dated Oct. 30, 2014. (https://www.amazon.com/gp/product/B00FS6YQWY/ref=as_li_tl?tag=travelfcom0-a-20&ie=UTF8&camp=1789&creative=390957&creativeASIN=B00FS6YQWY&linkCode=as-2&linkId=RXUJDO2BX2CNJTUK).

* cited by examiner

Primary Examiner — Paula Allen Greene

(74) *Attorney, Agent, or Firm* — Sterne, Kessler, Goldstein & Fox P.L.L.C.

(57)

CLAIM

The ornamental design for a case, as shown and described.

DESCRIPTION

FIG. 1 is a front perspective view of a case showing the claimed design;

FIG. 2 is a front view thereof;

FIG. 3 is a rear view thereof;

FIG. 4 is a left side view thereof;

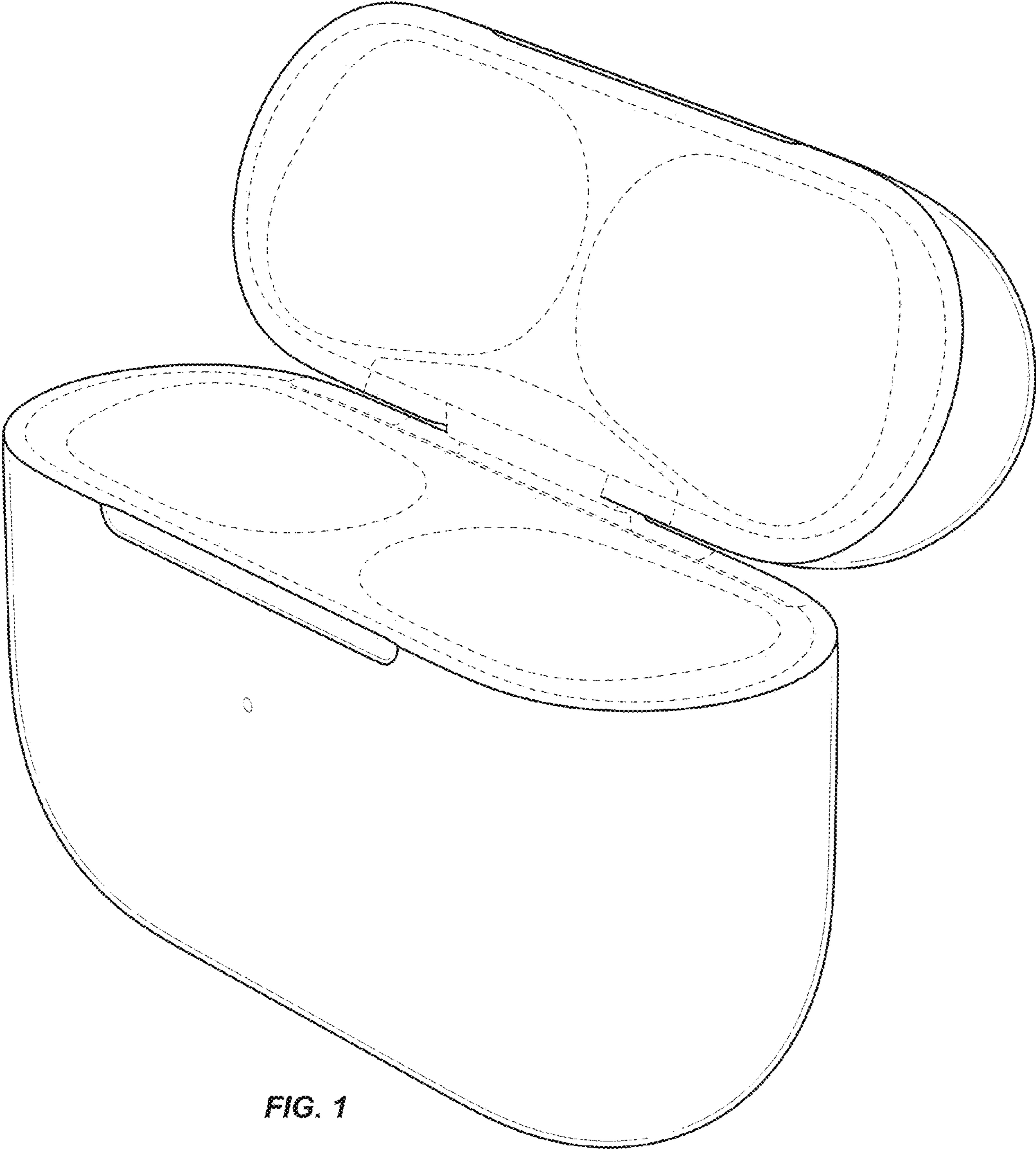
FIG. 5 is a right side view thereof;

FIG. 6 is a top view thereof; and,

FIG. 7 is a bottom view thereof.

The broken lines in the figures show portions of the case that form no part of the claimed design.

1 Claim, 6 Drawing Sheets



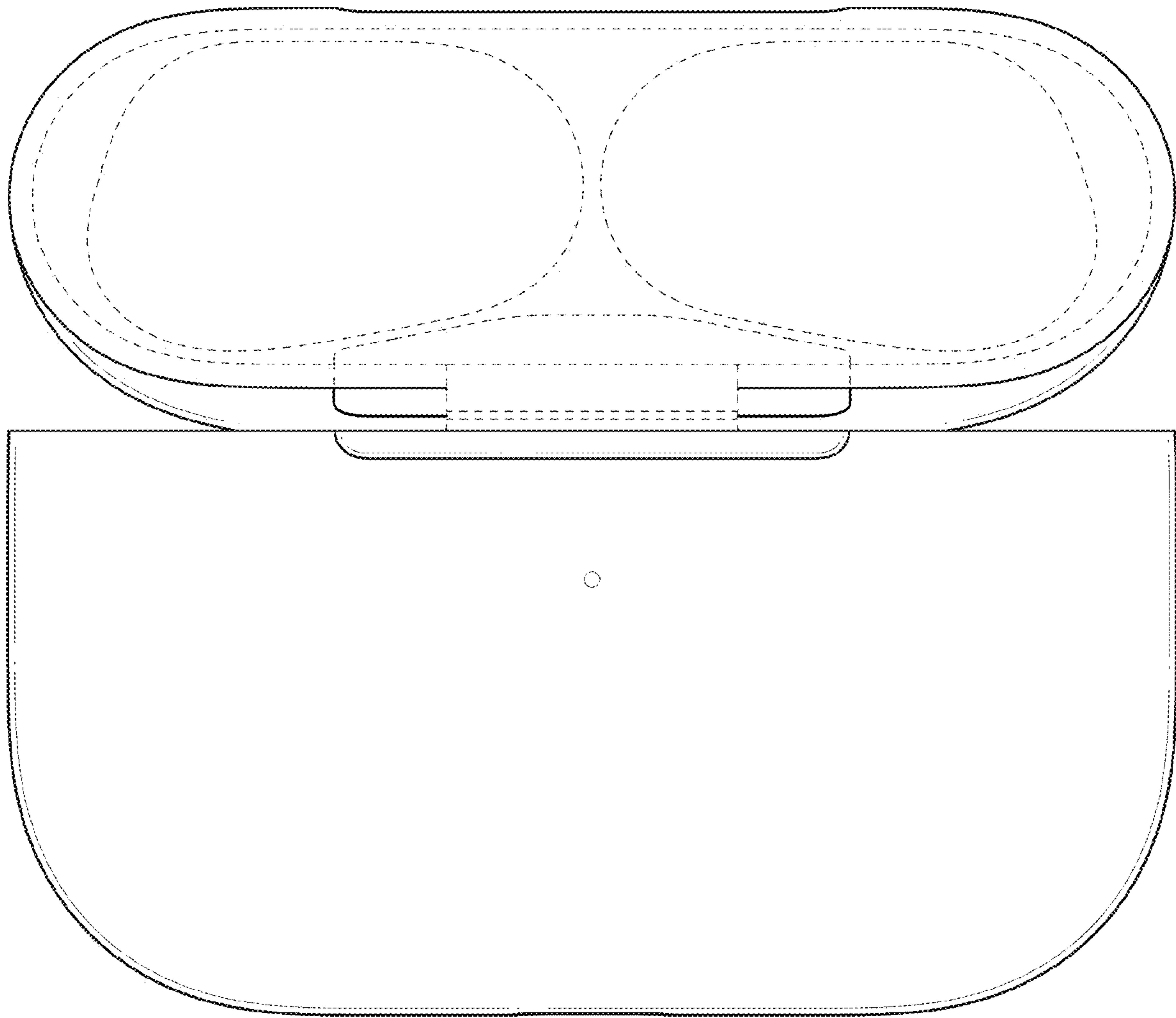


FIG. 2

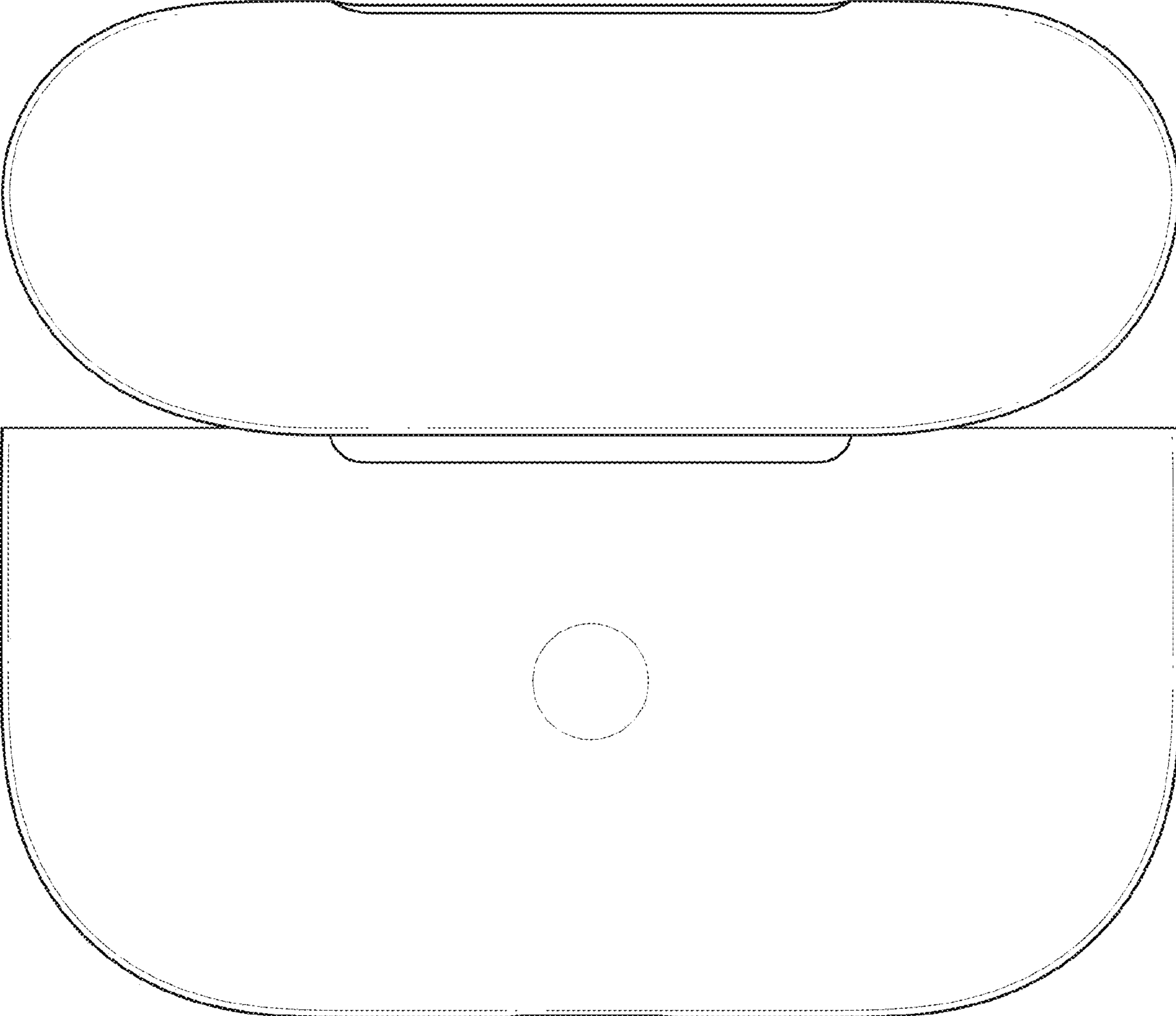


FIG. 3

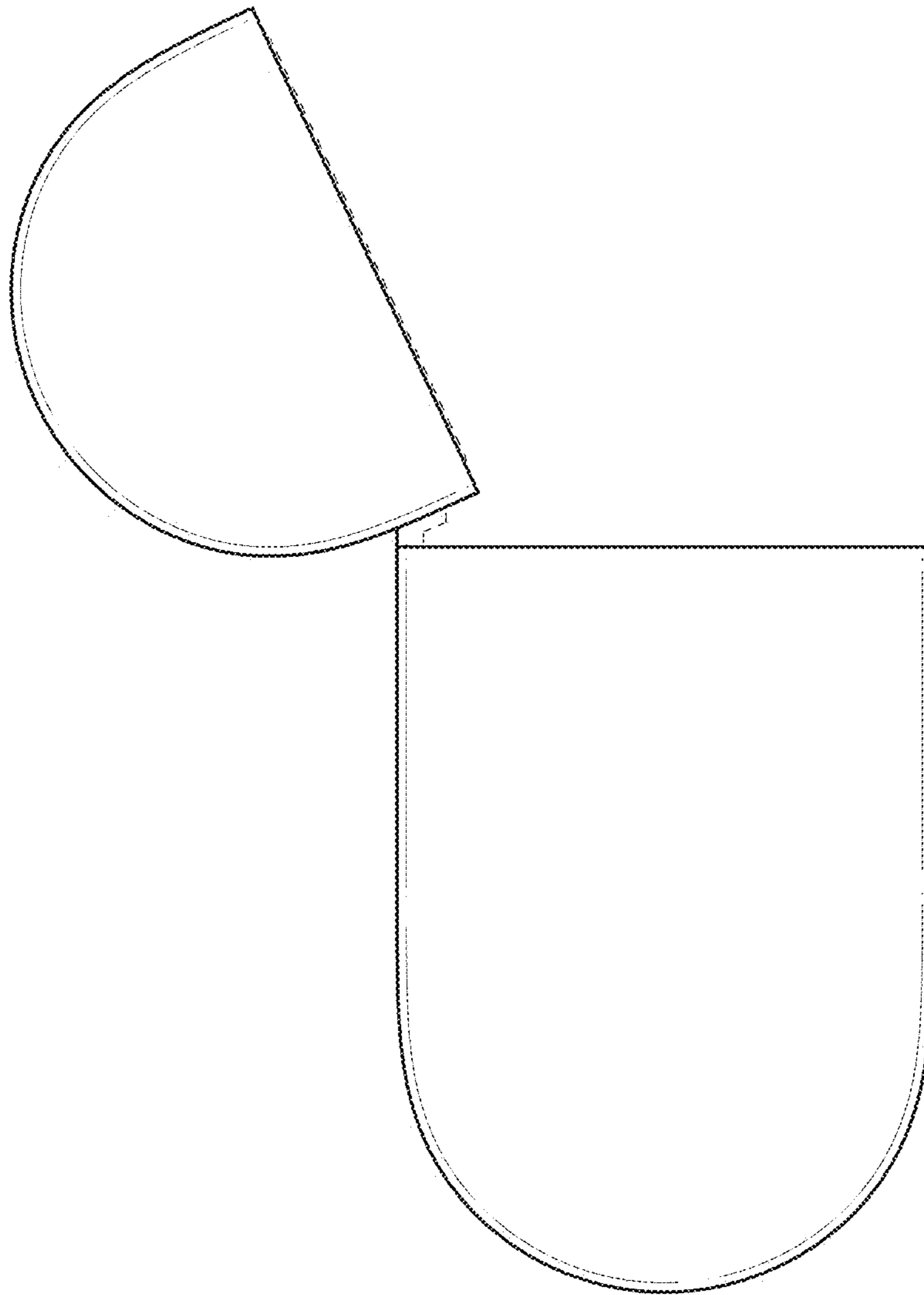


FIG. 4

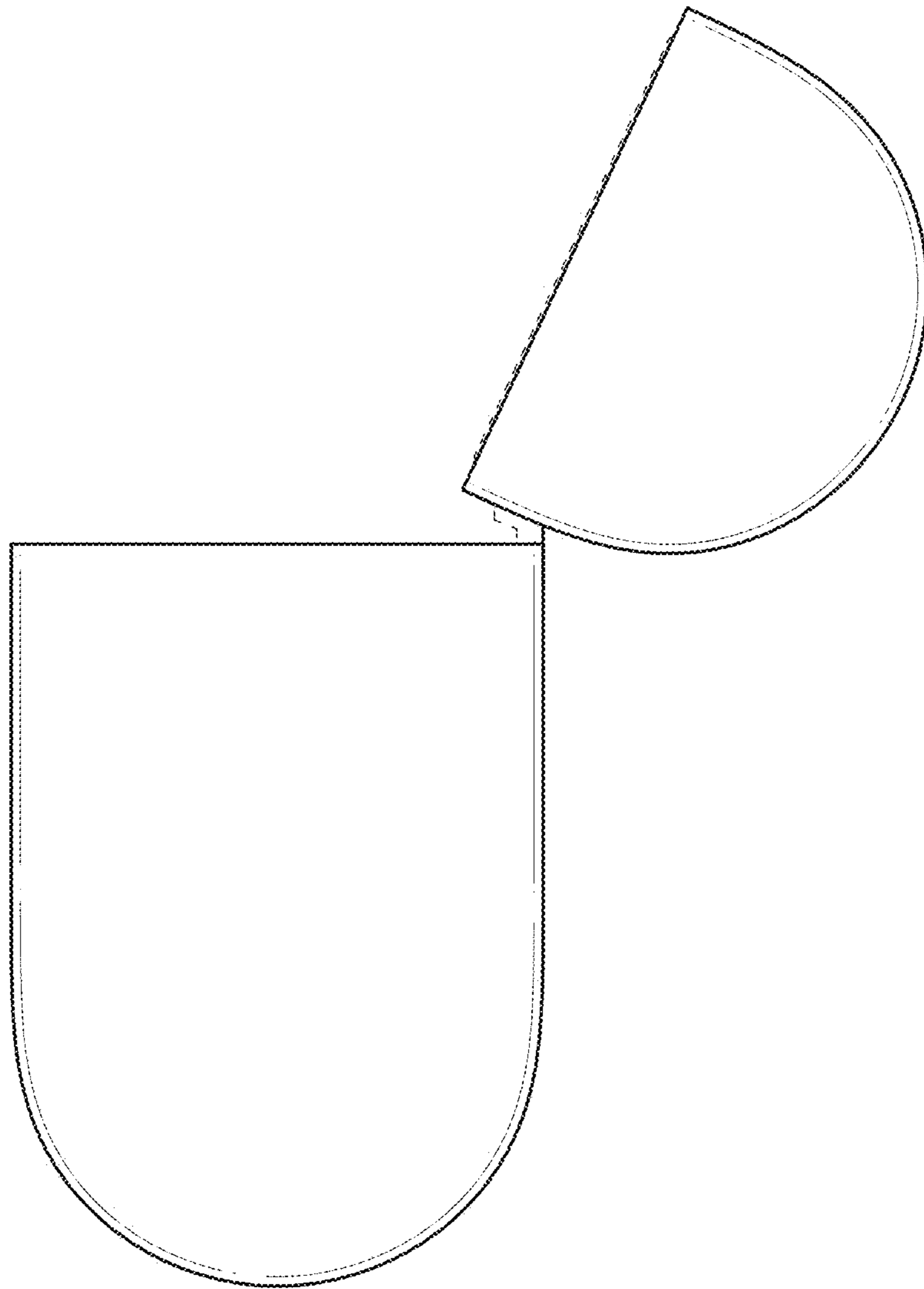


FIG. 5

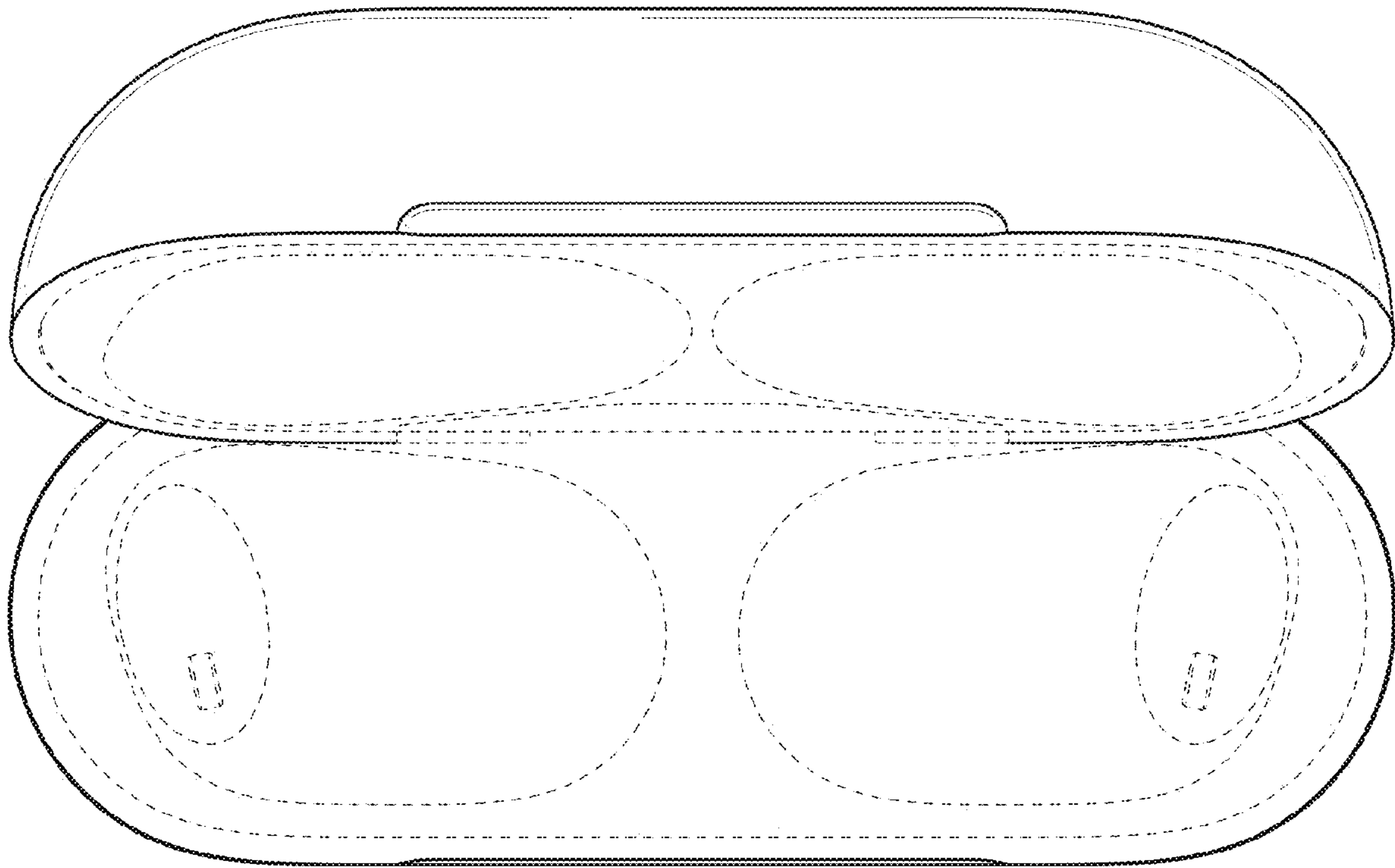


FIG. 6

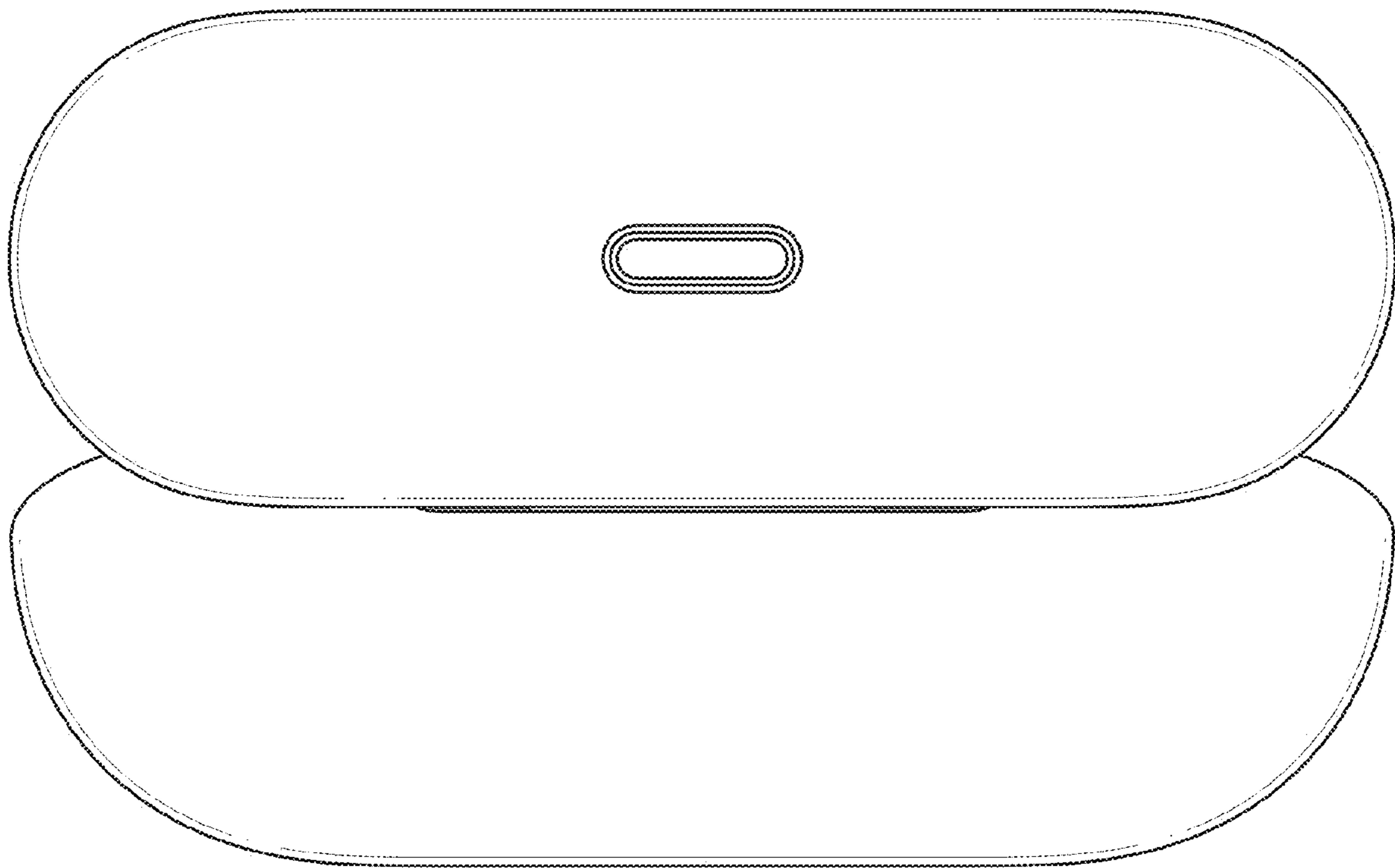


FIG. 7