



US00D962642S

(12) **United States Design Patent**
Wheeler

(10) **Patent No.:** **US D962,642 S**
(45) **Date of Patent:** **** Sep. 6, 2022**

(54) **STORAGE CASE COMPARTMENT**

4,248,128 A 2/1981 Des Gaines
4,467,693 A 8/1984 Nasfell, Jr.
4,790,232 A 12/1988 Rosen
4,826,014 A 5/1989 Schefer
D304,644 S 11/1989 Silcox
D311,027 S 10/1990 Yuen

(71) Applicant: **James C. Wheeler**, Atlanta, GA (US)

(72) Inventor: **James C. Wheeler**, Atlanta, GA (US)

(**) Term: **15 Years**

(Continued)

(21) Appl. No.: **29/796,223**

FOREIGN PATENT DOCUMENTS

(22) Filed: **Jun. 23, 2021**

CN 305462545 11/2019
GB 1574312 9/1980
WO 2019147760 8/2019

Related U.S. Application Data

(63) Continuation of application No. 29/677,772, filed on Jan. 23, 2019, now Pat. No. Des. 924,564.

OTHER PUBLICATIONS

(51) **LOC (13) Cl.** **03-01**

Axe Paxe Review, posted at youtube.com, posted on Dec. 21, 2019, retrieved Oct. 21, 2021, online, URL: <https://www.youtube.com/watch?v=Rixr1okmG88> (Year: 2019).*

(52) **U.S. Cl.**

USPC **D3/294**

(Continued)

(58) **Field of Classification Search**

USPC D3/203.1, 204, 205, 218, 273-274, 276, D3/283, 284, 294-298, 315, 901, 903; D9/414, 418, 420, 430, 432; D27/186, D27/187, 189, 190, 191; D28/9, 73, 76, D28/78, 82, 91; D6/659, 663, 667, D6/671.1; D14/188, 204, 209.1; 206/314
CPC A45C 11/00; A45C 2011/001; H05K 9/0007; H05K 9/0086; G10G 7/005; G10G 7/00

See application file for complete search history.

Primary Examiner — Mary Shannon Malley
(74) *Attorney, Agent, or Firm* — FisherBroyles, LLP; Keats Quinalty

(57) **CLAIM**

I claim the ornamental design for a storage case compartment, as shown and described.

DESCRIPTION

(56) **References Cited**

U.S. PATENT DOCUMENTS

241,142 A 5/1881 Keech
706,231 A 8/1902 Goldman
886,345 A 5/1908 Burns
1,569,157 A 1/1926 Thompson
1,632,335 A 6/1927 Hierung
2,315,086 A 3/1943 Coller
2,459,921 A 1/1949 Comer
2,508,283 A 5/1950 Nelson et al.
D209,438 S 11/1967 Rothman
3,934,745 A 1/1976 Lovell

FIG. 1 is a top perspective view of a storage case compartment.

FIG. 2 is a front elevation view thereof.

FIG. 3 is a rear elevation view thereof.

FIG. 4 is a right-side elevation view thereof.

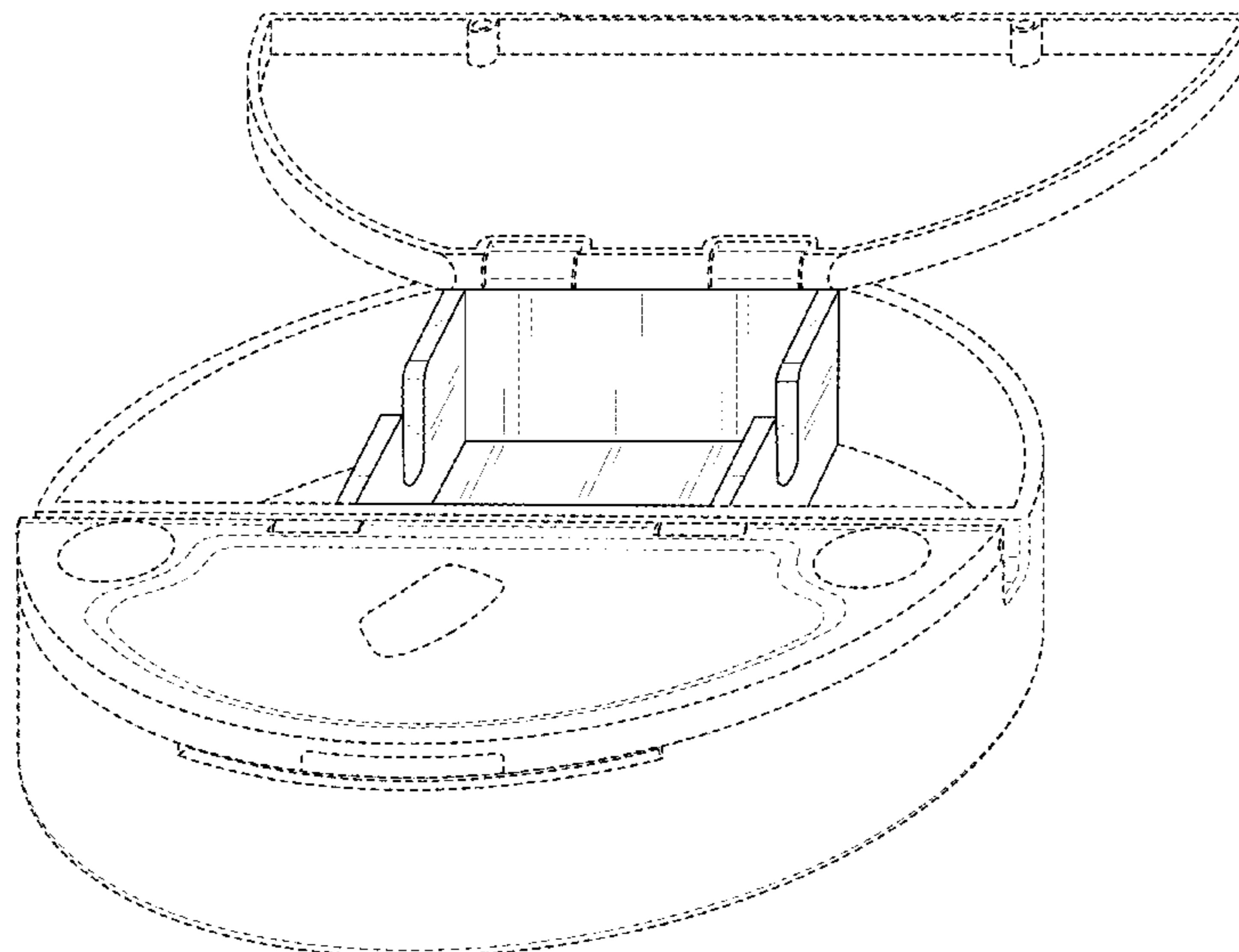
FIG. 5 is a left-side elevation view thereof.

FIG. 6 is a top plan view thereof; and,

FIG. 7 is a bottom plan view thereof.

The broken lines depict portions of the storage case compartment that form no part of the claimed design.

1 Claim, 7 Drawing Sheets



(56)

References Cited

U.S. PATENT DOCUMENTS

D321,983 S 12/1991 Tackett et al.
 5,123,564 A 6/1992 Hobson
 5,299,485 A 4/1994 Denton
 5,366,069 A 11/1994 Seidner
 D358,933 S 6/1995 Stein
 D369,905 S 5/1996 Hunt
 5,564,805 A 10/1996 Dickinson
 D390,332 S 2/1998 Searls
 D392,796 S 3/1998 North
 5,810,164 A 9/1998 Rennecamp
 5,881,904 A 3/1999 House
 5,981,856 A 11/1999 Story
 D431,458 S 10/2000 Bried et al.
 D436,427 S 1/2001 Grendahl
 6,215,052 B1 4/2001 Giddens et al.
 6,283,287 B1 9/2001 Carl
 6,462,260 B2 10/2002 Fediakov
 D543,350 S 5/2007 Sanderson
 7,246,703 B1 7/2007 D'Aquisto
 7,419,054 B1 9/2008 Clayton
 D585,639 S 2/2009 Taninbaum et al.
 D590,152 S 4/2009 Reines
 7,721,893 B2 5/2010 Law
 D629,202 S 12/2010 Wai
 D668,015 S 9/2012 Lynch
 8,376,303 B2 2/2013 Yang et al.
 D678,675 S 3/2013 Lin
 D707,287 S 6/2014 Thomas
 8,742,239 B1 6/2014 Storck
 8,789,745 B1 7/2014 Barbary
 9,472,172 B1 10/2016 Nassab
 9,837,056 B1 12/2017 Davis
 D924,564 S 7/2021 Wheeler
 11,114,073 B2 9/2021 Wheeler
 2002/0048414 A1 4/2002 Wilfer
 2004/0029518 A1 2/2004 Tanidis et al.
 2006/0076260 A1 4/2006 Luburic
 2006/0096440 A1 5/2006 Weathersby
 2008/0156667 A1 7/2008 Huggins
 2008/0302696 A1 12/2008 Moore
 2009/0301913 A1 12/2009 Scaletta et al.
 2010/0012739 A1 1/2010 Hoeth
 2010/0116692 A1 5/2010 Depuydt et al.
 2010/0230307 A1 9/2010 Kriesel
 2011/0024421 A1 2/2011 Luburic
 2011/0226643 A1 9/2011 Kates et al.
 2012/0076565 A1 3/2012 Cocchioni
 2012/0153114 A1 6/2012 Yang et al.
 2013/0134282 A1 5/2013 Negretti
 2013/0277529 A1 10/2013 Bolliger
 2014/0123513 A1 5/2014 Ciffin
 2015/0206520 A1 7/2015 Hoeft et al.
 2015/0300556 A1 10/2015 Fan
 2017/0210524 A1 7/2017 Dougherty
 2017/0241590 A1 8/2017 Boubli
 2018/0166049 A1 6/2018 Young
 2019/0189099 A1 6/2019 Bedore et al.
 2019/0228753 A1 7/2019 Wheeler
 2019/0254454 A1 8/2019 Boyatt
 2020/0126520 A1 4/2020 Flynn
 2021/0366446 A1 11/2021 Wheeler

OTHER PUBLICATIONS

Lipper International 824 Bamboo Wood 4-Compartment Organizer Tray, 11 $\frac{5}{8}$ "x7 $\frac{7}{8}$ "x1 $\frac{3}{4}$ ", posted at amazon.com, review dated Jul. 27, 2016, retrieved Oct. 21, 2021, online, URL: <https://www.amazon.com/Lipper-International-824-4-Compartment-Organizer/dp/>

B00KAZ12OS/ref=sr_1_1?crd=3SA4CQHUERC38&dchild=1&keyw (Year: 2016).*

DIY Wooden Desktop Storage Box, posted at amazon.com, first available Aug. 16, 2018, retrieved Oct. 21, 2021, online, URL: <https://www.amazon.com/Desktop-Consolidation-Register-Document-Organizer/dp/B07GH2BP3V?th=1> (Year: 2018).*

Cash drawer, posted at youtube.com, posted Feb. 25, 2014, retrieved Oct. 21, 2021, online, URL: <https://www.youtube.com/watch?v=h3DSVQX46aA> (Year: 2014).*

Axe Paxe in Gunmetal, facebook.com, posted Apr. 24, 2019, retrieved Oct. 21, 2021, online, URL: <https://www.facebook.com/axepaxeofficial/photos/a.2133561943426463/2133562133426444/?type=3&theater> (Year: 2019).*

Wheeler, James C.; Final Office Action for U.S. Appl. No. 16/255,289, filed Jan. 23, 2019, dated Feb. 25, 2021, 15 pgs.

Wheeler, James C.; Non-Final Office Action for U.S. Appl. No. 16/255,289, filed Jan. 23, 2019, dated Oct. 19, 2020, 35 pgs.

Wheeler, James C.; Notice of Allowance for U.S. Appl. No. 16/255,289, filed Jan. 23, 2019, dated May 4, 2021, 8 pgs.

Wheeler, James C.; International Preliminary Report on Patentability for PCT Application No. PCT/US19/14887, filed Jan. 24, 2019, dated Jul. 28, 2020, 9 pgs.

Wheeler, James C.; International Search Report and Written Opinion for PCT Application No. PCT/US19/14887, filed Jan. 24, 2019, dated Apr. 12, 2019, 11 pgs.

Axepaxe, posted at axepaxe.com, no posting date, retrieved Jan. 18, 2020, online, URL: <https://axepaxe.com/product/axe-paxe/> (Year: 2020).

Gear Review: AxePaxe, posted at youtube.com, posted Mar. 22, 2018, retrieved Jan. 18, 2020, online, URL: <https://www.youtube.com/watch?v=p645I8OCnQg> (Year: 2018).

Wheeler, James C.; Applicant-Initiated Interview Summary for U.S. Appl. No. 29/677,772, filed Jan. 23, 2019, dated Feb. 19, 2020, 3 pgs.

Wheeler, James C.; Applicant-Initiated Interview Summary for U.S. Appl. No. 29/677,772, filed Jan. 23, 2019, dated Sep. 3, 2020, 3 pgs.

Wheeler, James C.; Corrected Notice of Allowance for Design U.S. Appl. No. 29/677,772, filed Jan. 23, 2019, dated Jun. 1, 2021, 10 pgs.

Wheeler, James C.; Ex Parte Quayle Action for Design U.S. Appl. No. 29/677,772, filed Jan. 23, 2019, mailed Oct. 13, 2020, 11 pgs.

Wheeler, James C.; Final Office Action for U.S. Appl. No. 29/677,772, filed Jan. 23, 2019, dated Jun. 11, 2020, 10 pgs.

Wheeler, James C.; Non-Final Office Action for U.S. Appl. No. 29/677,772, filed Jan. 23, 2019, dated Jan. 22, 2020, 24 pgs.

Wheeler, James C.; Notice of Allowance for Design U.S. Appl. No. 29/677,772, filed Jan. 23, 2019, dated Feb. 25, 2021, 11 pgs.

Amazon; Article entitled: MAUL Cash Money Box with Coin Slot, Cylinder Lock with 2 keys, 125x95x60mm, available at <https://www.amazon.co.uk/MAUL-Cash-money-Coin-Cylinder/dp/B00381H5YW?th=1>, dated Aug. 15, 2012, 4 pgs.

The AxePaxe® in Gun Metal, posted at facebook.com, posted Apr. 24, 2019, retrieved Oct. 22, 2021, online, URL: <https://www.facebook.com/axepaxeofficial/photos/a.2133561943426463/2133561996759791/?type=3&theater> (Year 2019).

Wheeler, James C.; Non-Final Office Action for Design U.S. Appl. No. 29/796,250, filed Jun. 23, 2021, dated Oct. 26, 2021, 26 pgs.

The AxePaxe® in Gun Metal, posted at facebook.com, posted Apr. 24, 2019, retrieved Oct. 22, 2021, online, URL: <https://www.facebook.com/axepaxeofficial/photos/a.2133561943426463/2133562100093114/?type=3&theater> (Year: 2019).

Wheeler, James C.; Non-Final Office Action for Design U.S. Appl. No. 29/796,253, filed Jun. 23, 2021, dated Oct. 26, 2021, 25 pgs.

Wheeler, James C.; European search report for application No. 19743777.5, filed Jan. 24, 2019, dated Sep. 10, 2021, 16 pgs.

* cited by examiner

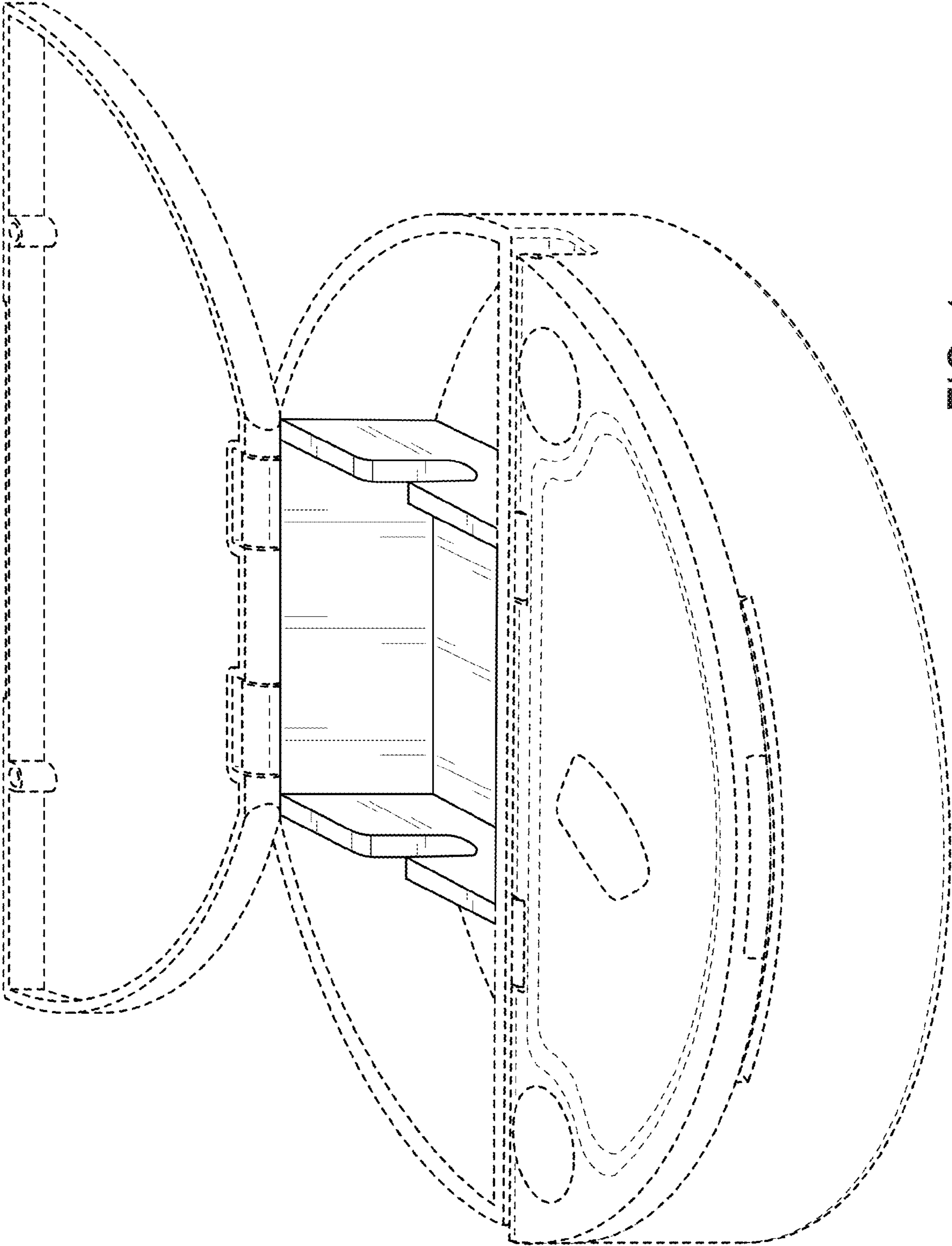


FIG. 1

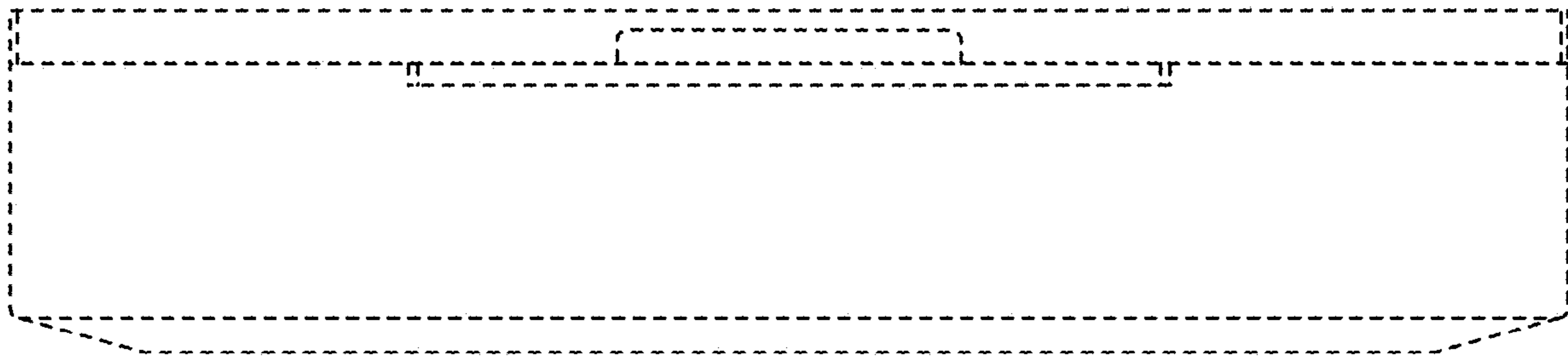


FIG. 2



FIG. 3

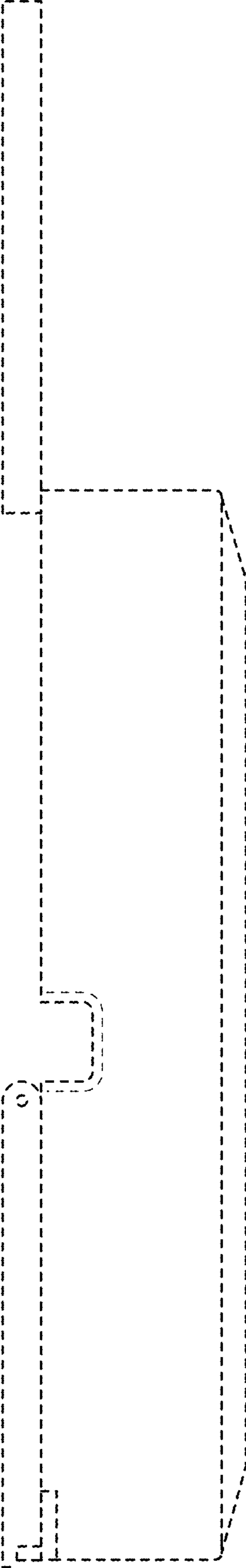


FIG. 4

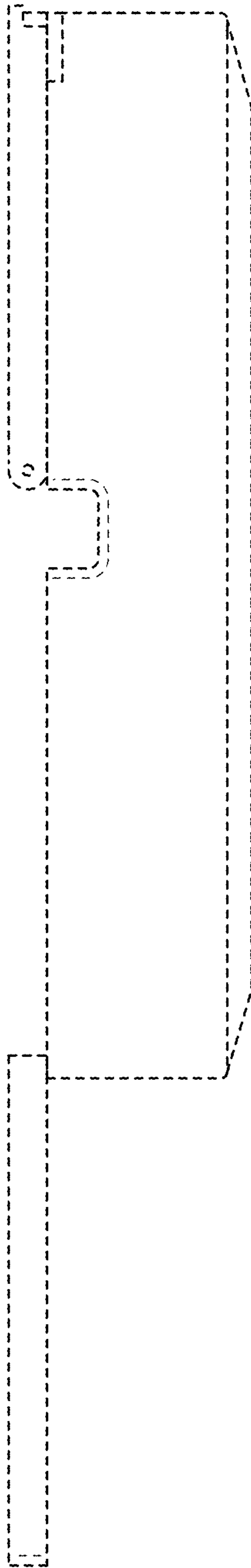


FIG. 5

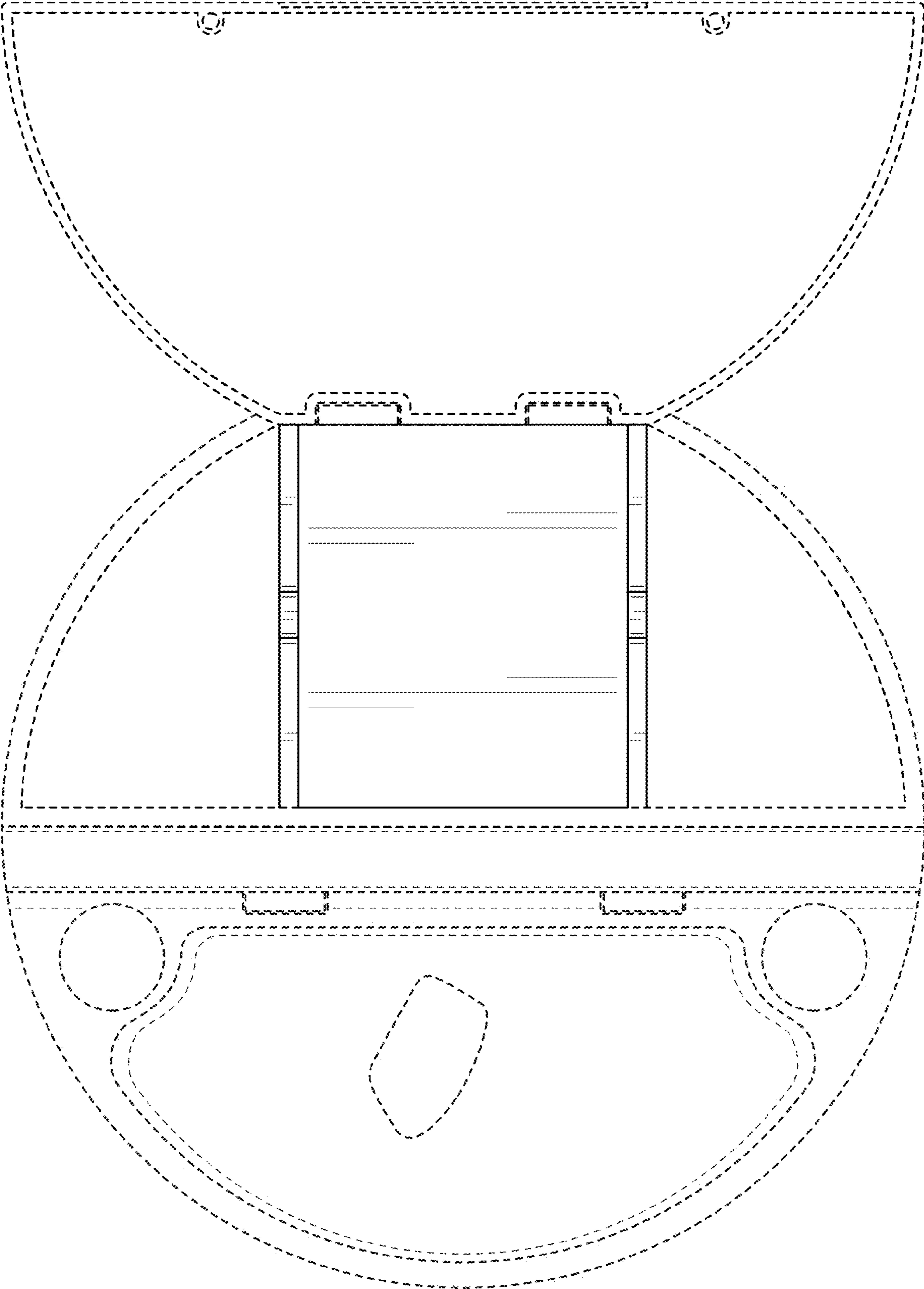


FIG. 6

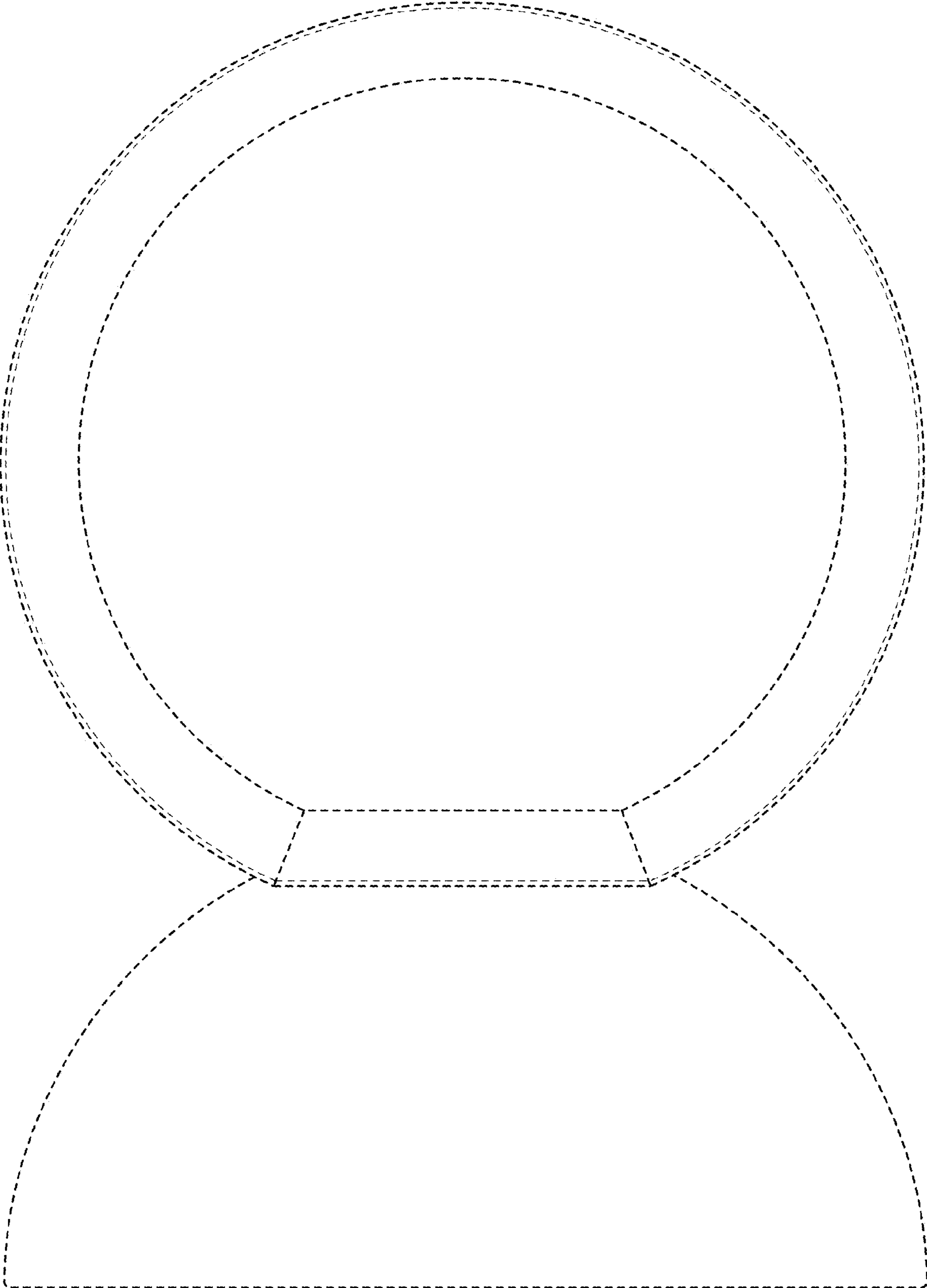


FIG. 7