

US00D962641S

(12) **United States Design Patent**  
**Wei et al.**

(10) **Patent No.:** **US D962,641 S**  
(45) **Date of Patent:** **\*\* Sep. 6, 2022**

- (54) **FOLDING BOX**
- (71) Applicants: **Zhou Wei**, Qu (CN); **Xiao Qiang**, Youxi (CN)
- (72) Inventors: **Zhou Wei**, Qu (CN); **Xiao Qiang**, Youxi (CN)
- (\*\*) Term: **15 Years**
- (21) Appl. No.: **29/787,984**
- (22) Filed: **Jun. 9, 2021**
- (51) **LOC (13) Cl.** ..... **03-01**
- (52) **U.S. Cl.**  
USPC ..... **D3/290**; D9/432; D9/433
- (58) **Field of Classification Search**  
USPC ..... D9/414–423, 430–433, 457, 699, 711, D9/713, 737; D3/276, 294, 288, 290  
CPC ..... B65D 5/00; B65D 5/0015; B65D 5/02; B65D 5/0227; B65D 5/0236; B65D 5/18; B65D 5/20; B65D 5/32  
See application file for complete search history.

- (56) **References Cited**  
**U.S. PATENT DOCUMENTS**
- 4,340,169 A \* 7/1982 Webinger ..... B65D 5/0005 229/101
- D311,686 S \* 10/1990 Tozawa ..... D9/423
- D339,062 S 9/1993 Williams
- 5,284,294 A \* 2/1994 Floyd ..... B65D 65/403 229/179
- 5,307,982 A \* 5/1994 Swindell ..... B65D 5/248 229/172
- D513,283 S 12/2005 Wampler et al.
- 7,044,277 B2 \* 5/2006 Redzisz ..... A45C 7/0095 190/107
- 7,188,713 B1 \* 3/2007 Espar ..... A45F 4/06 383/4
- D580,263 S 11/2008 Yi Man
- D587,998 S 3/2009 Kaisanlahti et al.

- 7,597,209 B2 \* 10/2009 Rothschild ..... A45C 15/00 220/6
  - 7,845,508 B2 \* 12/2010 Rothschild ..... A45F 4/02 220/4.08
  - D649,373 S 11/2011 Lloyd
  - D652,717 S 1/2012 Shimoyama et al.
  - 9,108,793 B2 \* 8/2015 Northrup ..... B65D 5/246
  - D764,278 S 8/2016 Tulin
  - D779,936 S \* 2/2017 Thompson ..... D9/433
- (Continued)

**OTHER PUBLICATIONS**

Foldable Storage Box with Lid Small—meori. [online] Published on Apr. 2, 2022. Retrieved Jun. 28, 2022 from URL: <https://meori.com/product/foldable-storage-box-with-lid-small/> (Year: 2022).\*

(Continued)

*Primary Examiner* — Vy N Koenig

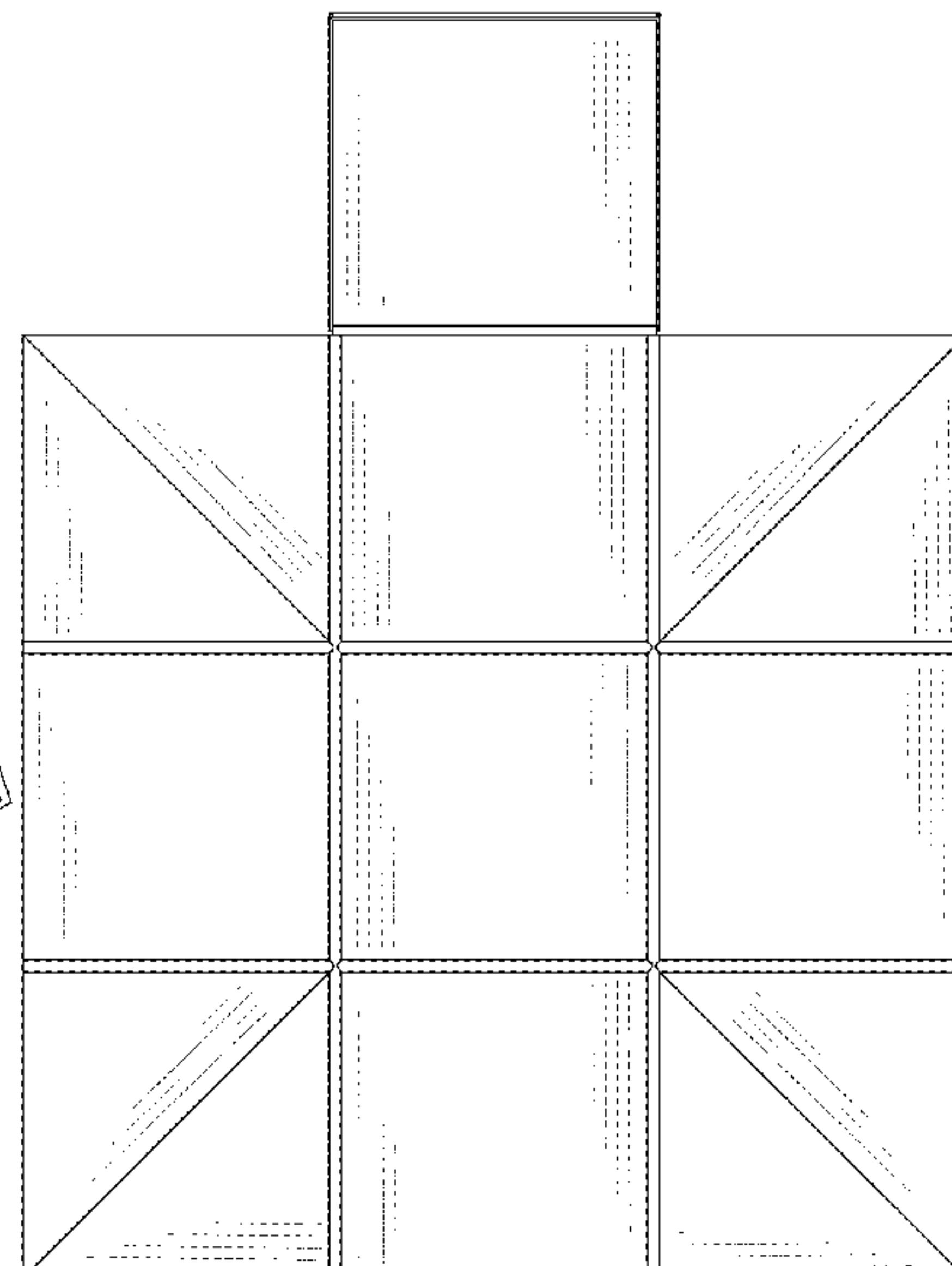
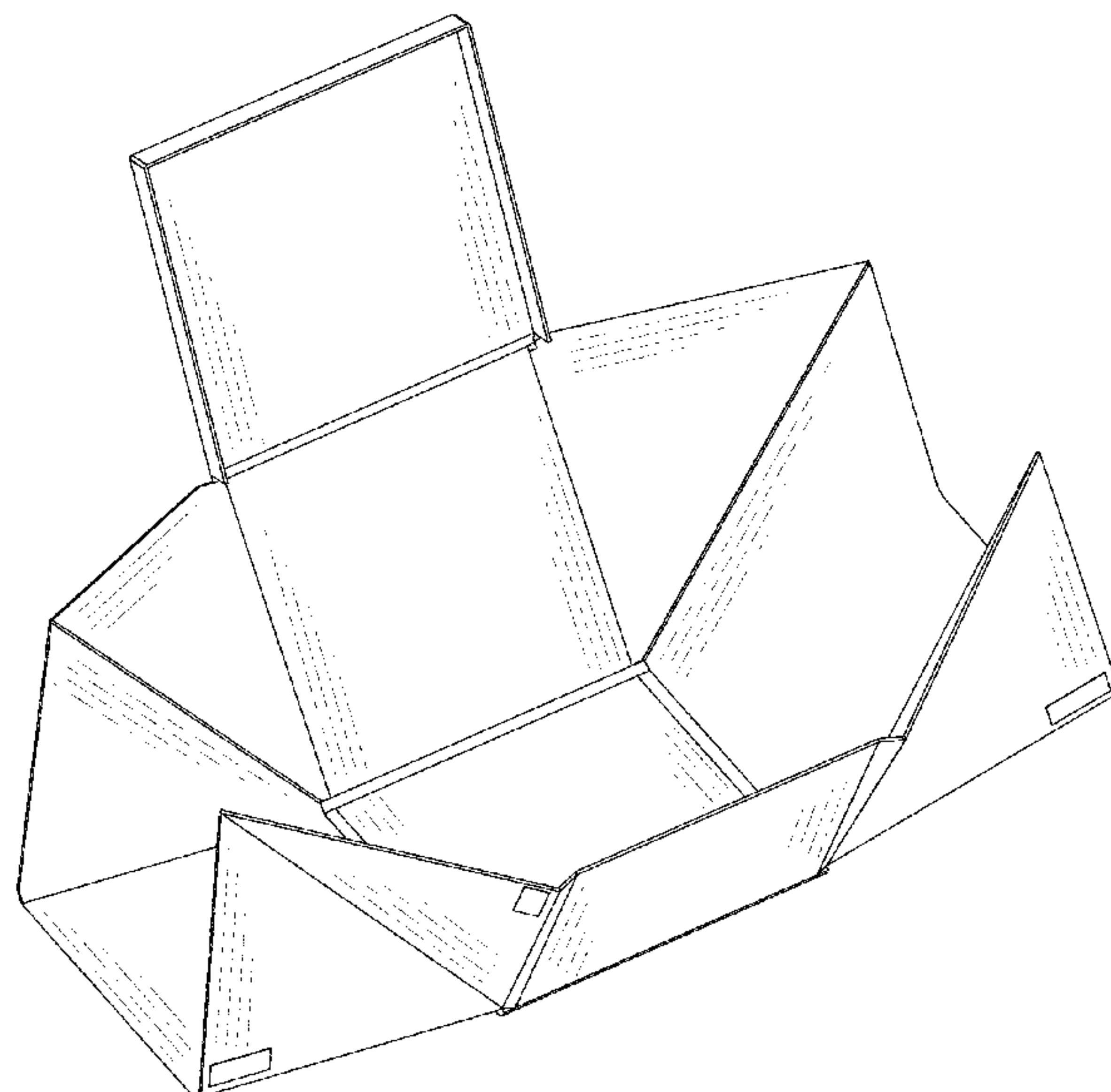
(57) **CLAIM**

The ornamental design for a folding box, as shown and described.

**DESCRIPTION**

FIG. 1 is a front elevation view of the folding box in an unfolded configuration;  
FIG. 2 is a back elevation view of FIG. 1;  
FIG. 3 is a left-side view of FIG. 1;  
FIG. 4 is a right-side view of FIG. 1;  
FIG. 5 is a top plan view of FIG. 1;  
FIG. 6 is a bottom plan view of FIG. 1;  
FIG. 7 is a top right perspective view FIG. 1;  
FIG. 8 is a top right perspective view of the folding box in the half-folded configuration;  
FIG. 9 is a top perspective view of the folding box in the folded configuration;  
FIG. 10 is a top plan perspective view of the folding box in a flat, unfolded configuration; and,  
FIG. 11 is a bottom plan perspective view of FIG. 10.

**1 Claim, 11 Drawing Sheets**



(56)

**References Cited**

U.S. PATENT DOCUMENTS

|              |      |         |  |             |
|--------------|------|---------|--|-------------|
| D812,463     | S    | 3/2018  | Lee et al.                             |             |
| D817,039     | S    | 5/2018  | Adolph et al.                          |             |
| D828,156     | S    | 9/2018  | Perella et al.                         |             |
| D829,095     | S    | 9/2018  | McKenna et al.                         |             |
| D829,096     | S    | 9/2018  | Perella et al.                         |             |
| D829,097     | S    | 9/2018  | Perella et al.                         |             |
| D844,327     | S *  | 4/2019  | Valks .....                            | D3/902      |
| D858,274     | S    | 9/2019  | Perella et al.                         |             |
| D874,266     | S    | 2/2020  | Perella et al.                         |             |
| D874,267     | S    | 2/2020  | Perella et al.                         |             |
| D878,912     | S    | 3/2020  | Perella et al.                         |             |
| D883,670     | S    | 5/2020  | Perella et al.                         |             |
| D888,548     | S    | 6/2020  | Hietanen et al.                        |             |
| D888,549     | S *  | 6/2020  | Hietanen .....                         | D9/432      |
| D903,761     | S *  | 12/2020 | Hill .....                             | D19/86      |
| D904,881     | S *  | 12/2020 | van der Burgt-van den<br>Eijnden ..... | D9/432      |
| D908,485     | S    | 1/2021  | Gavrieli et al.                        |             |
| D920,779     | S *  | 6/2021  | Burger .....                           | D9/432      |
| D922,867     | S *  | 6/2021  | Perella .....                          | D9/432      |
| 2018/0222625 | A1 * | 8/2018  | Perella .....                          | B65D 5/4283 |

OTHER PUBLICATIONS

Achim Collapsible Storage Bins. [online] Retrieved Jun. 28, 2022 from URL: <https://www.walmart.com/ip/Achim-Collapsible-Storage-Bins-Pack-4-Green/55444640> (Year: 2022).\*

\* cited by examiner

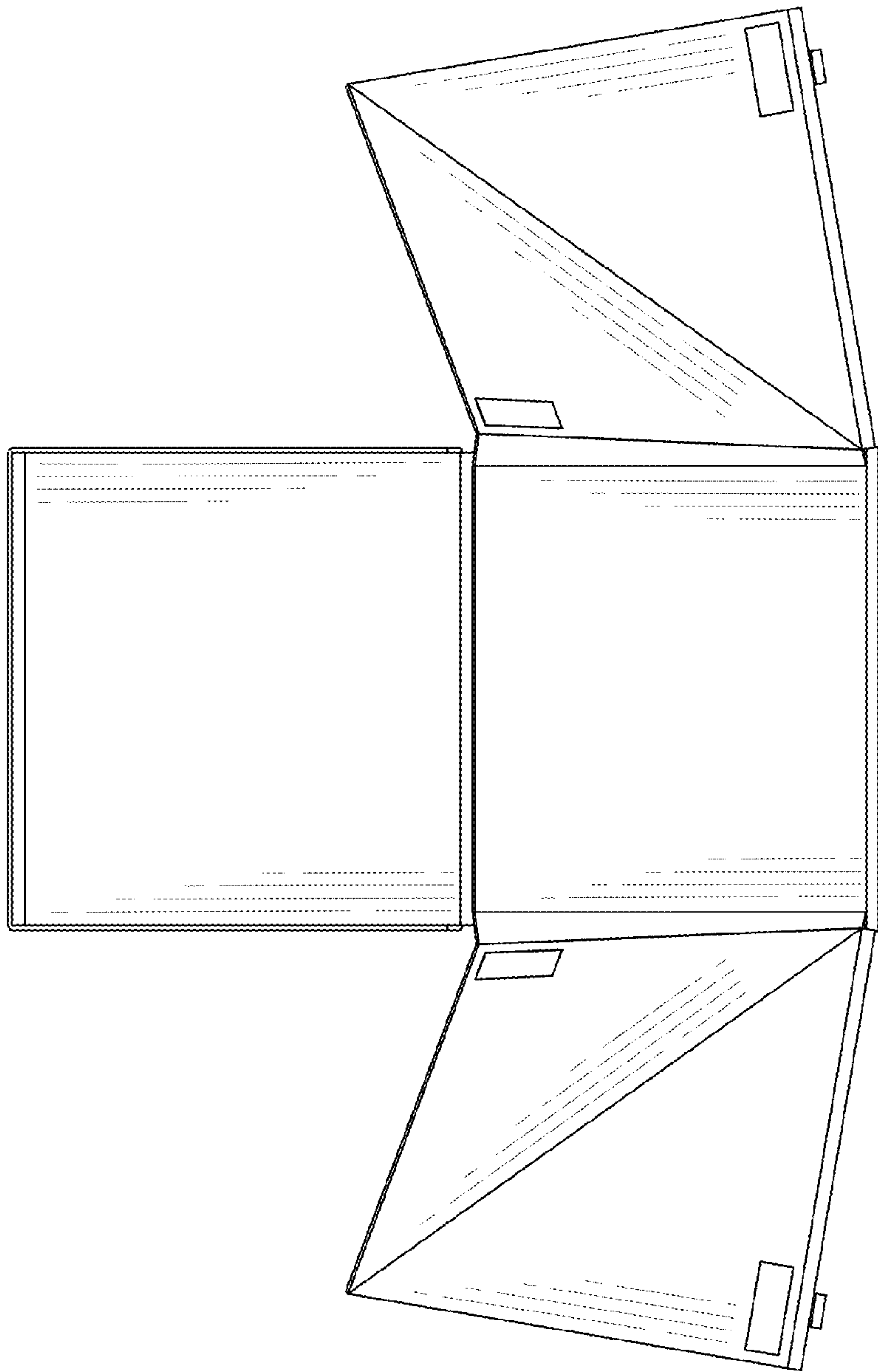


FIG. 1

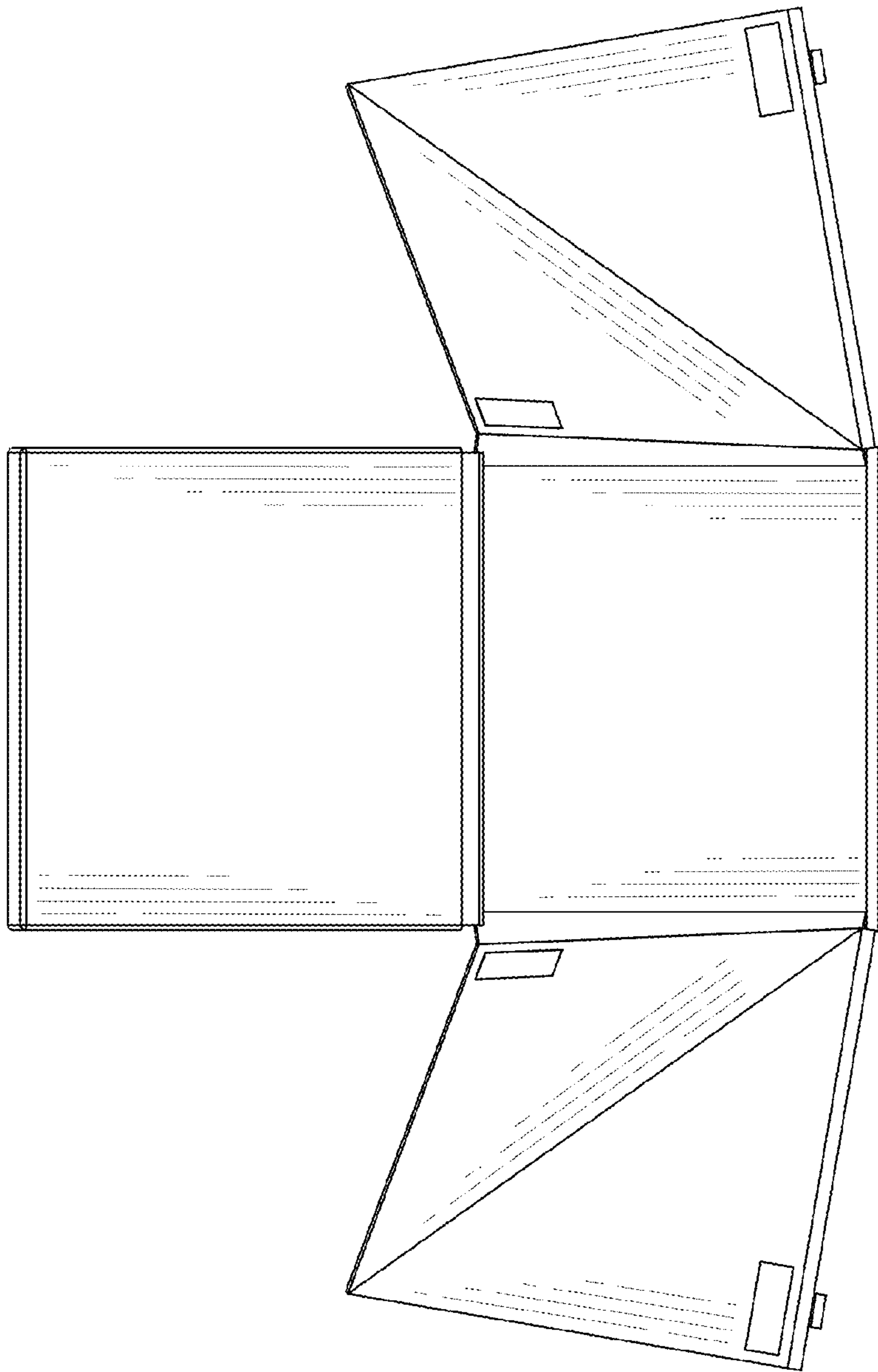


FIG. 2

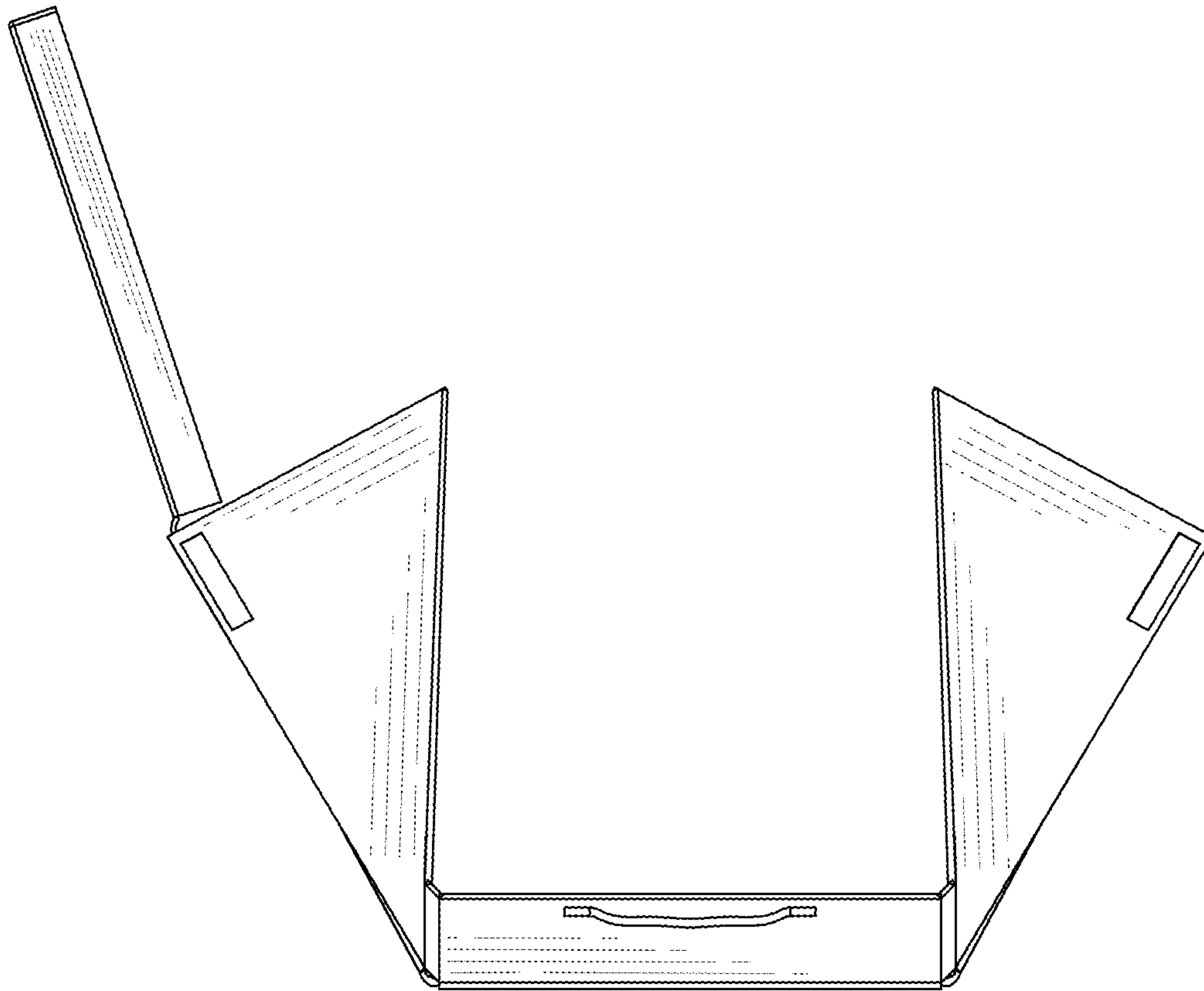


FIG. 3

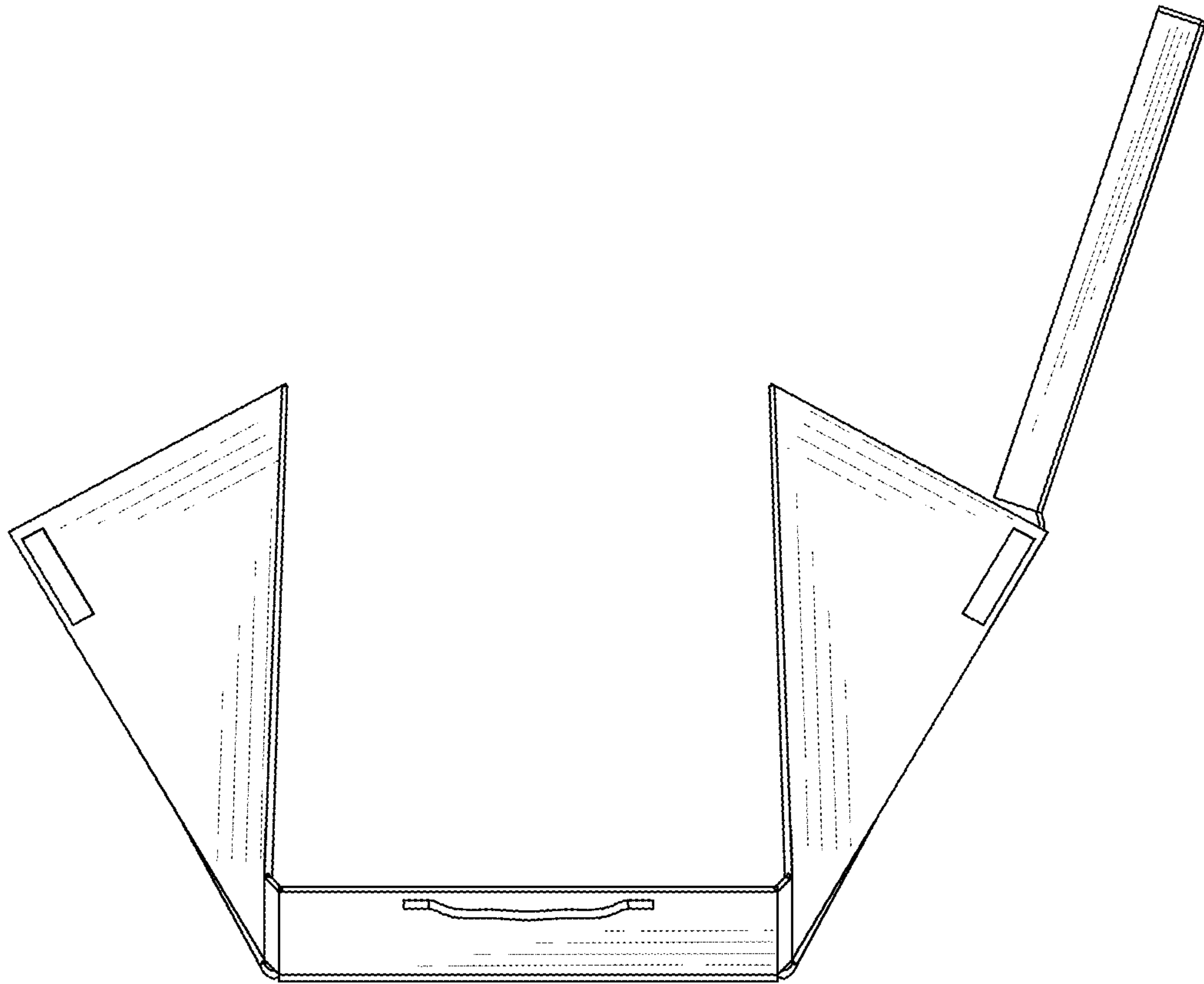


FIG. 4



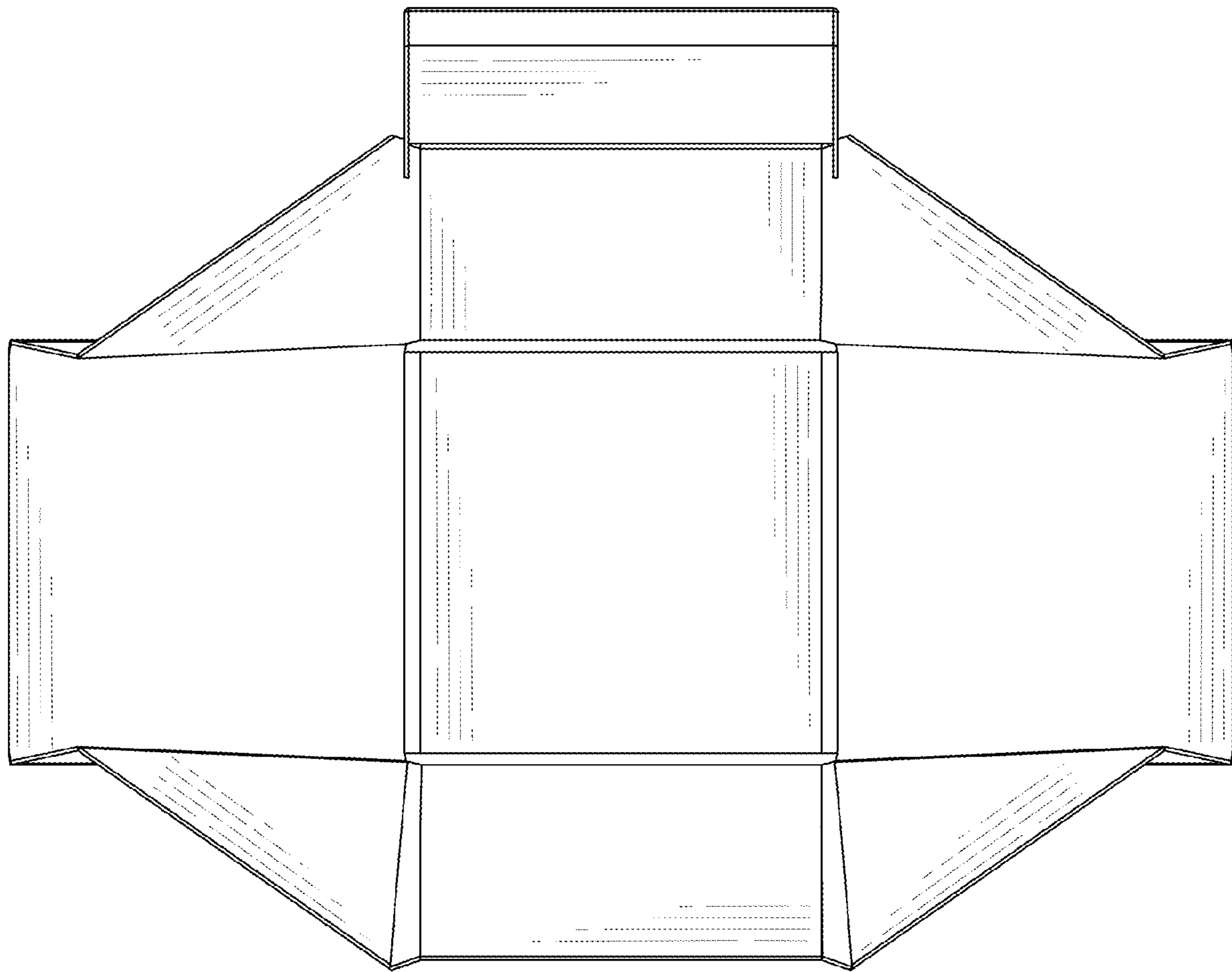


FIG. 5

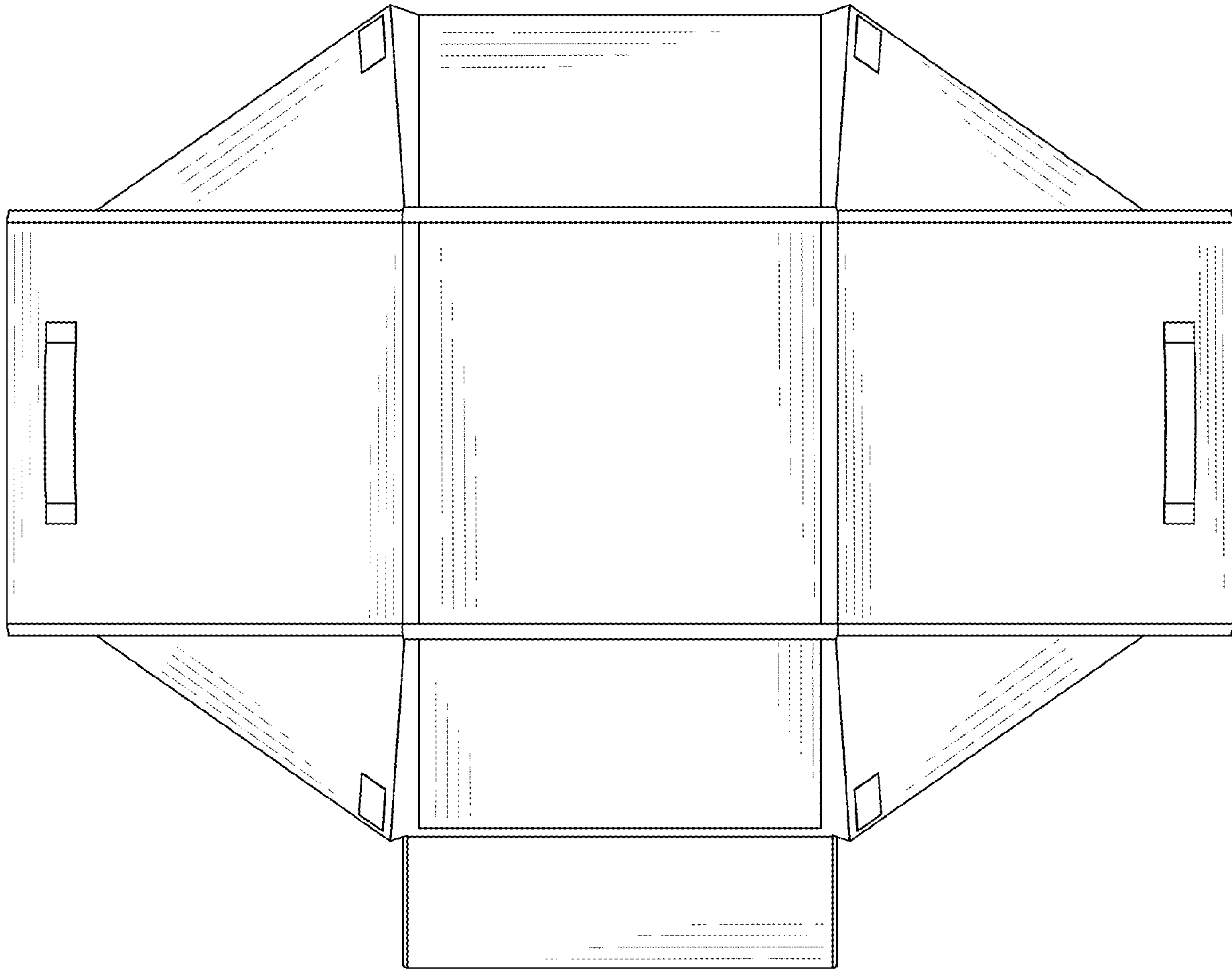


FIG. 6



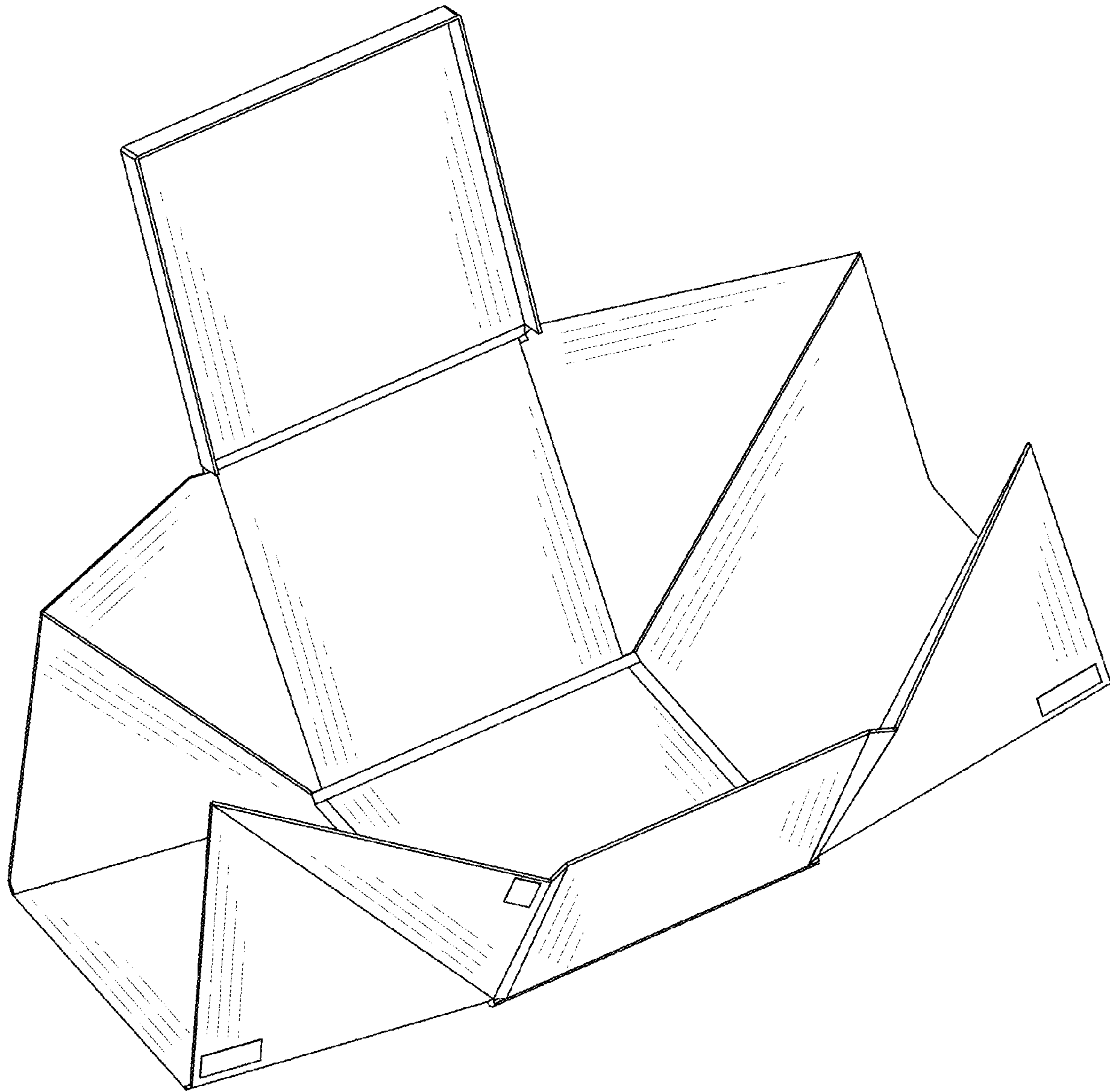


FIG. 7

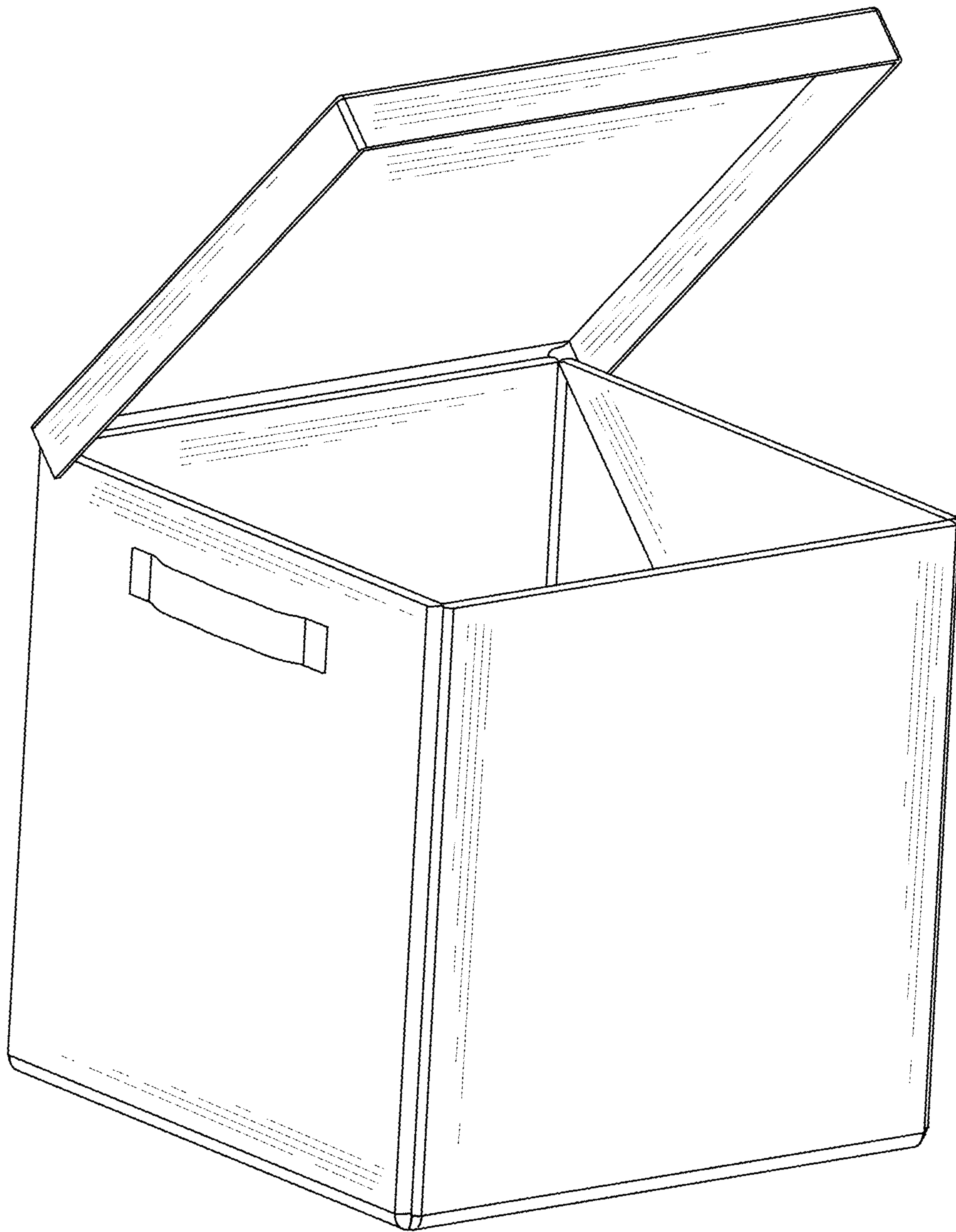


FIG. 8

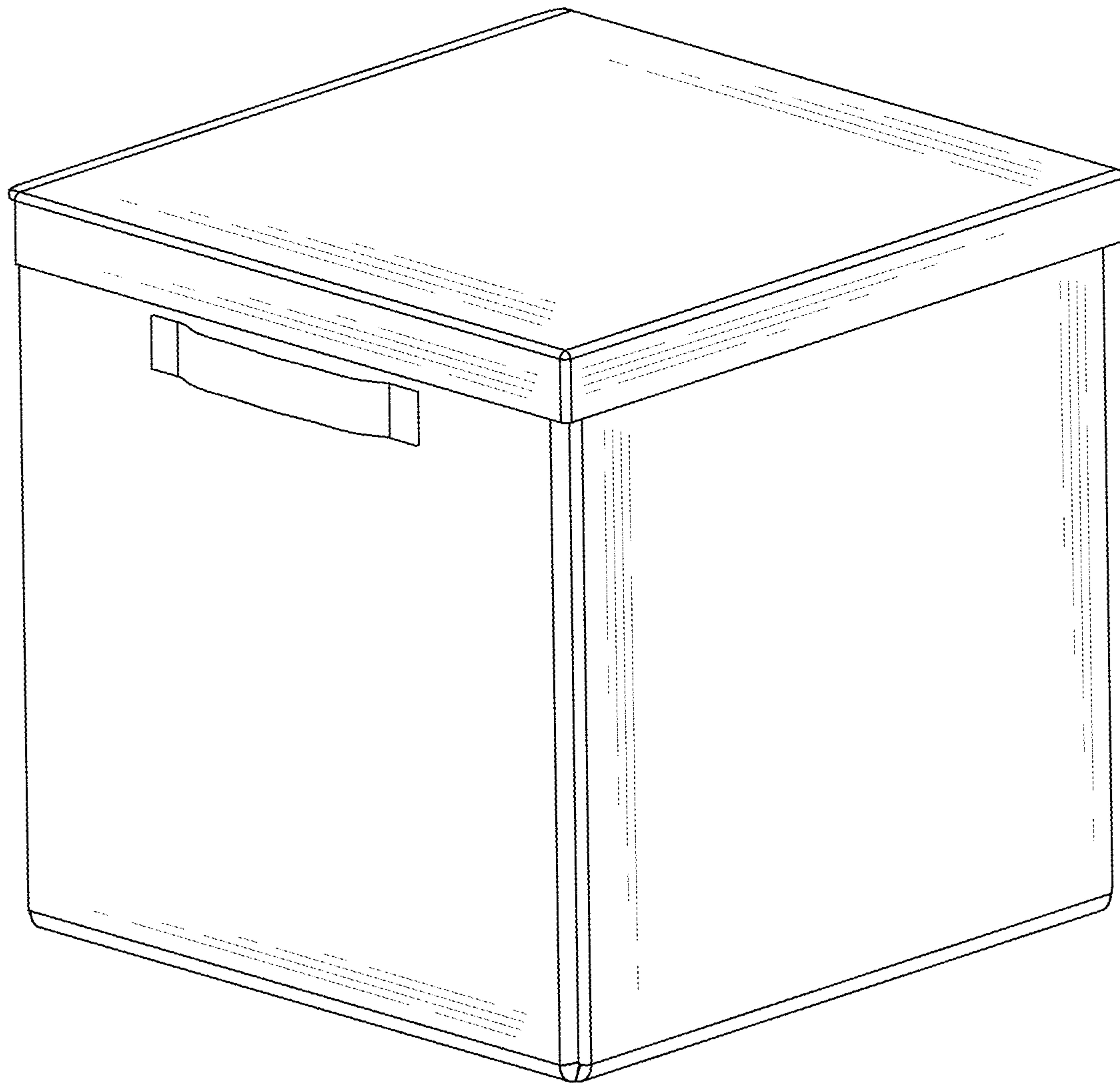


FIG. 9

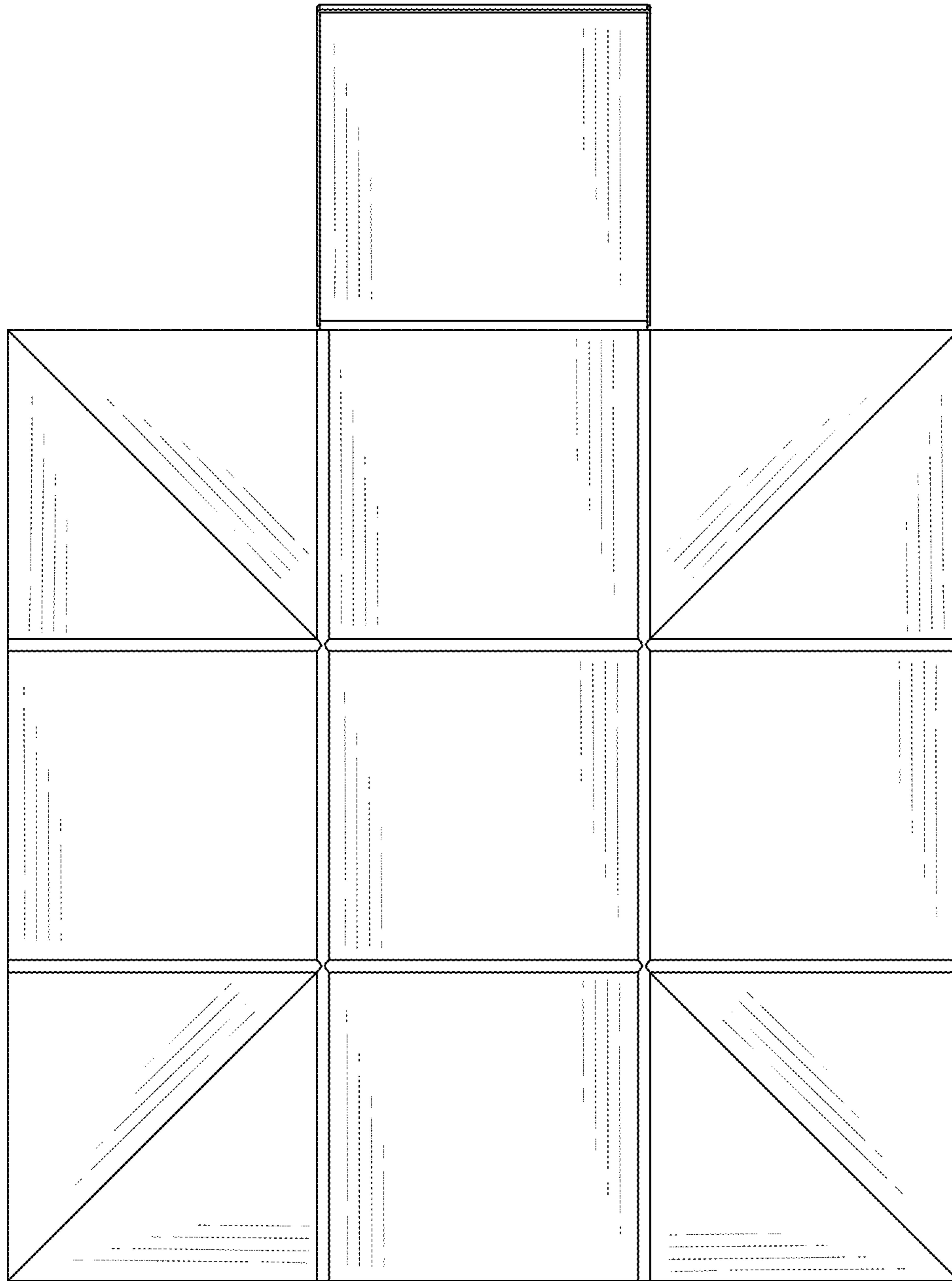


FIG. 10

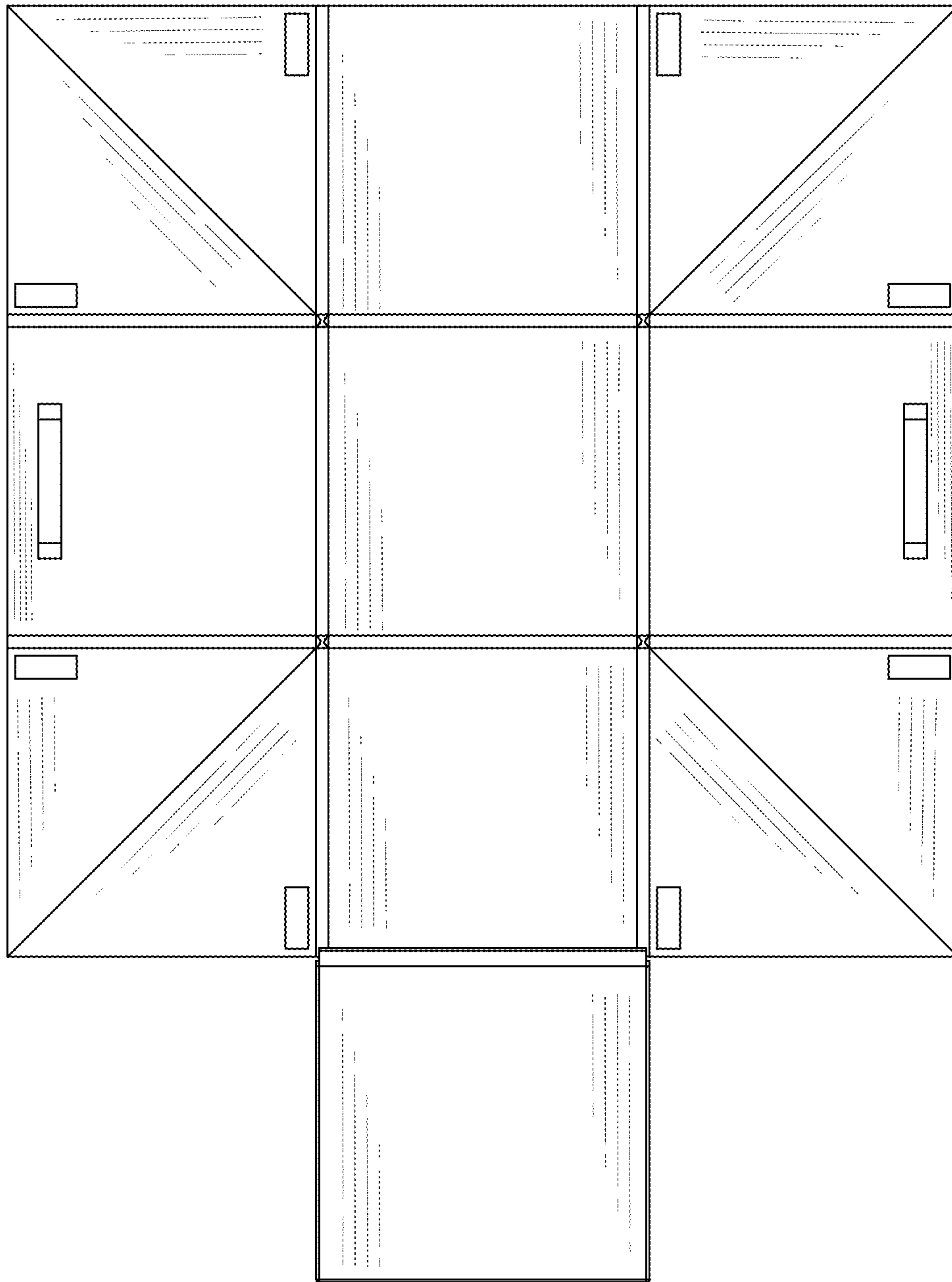


FIG. 11