



US00D962635S

(12) **United States Design Patent**
Lai

(10) **Patent No.:** **US D962,635 S**

(45) **Date of Patent:** **** Sep. 6, 2022**

(54) **FANNY PACK**

(71) Applicant: **Fujian Weika Sports Development Co., Ltd.**, Fujian (CN)

(72) Inventor: **Jinduo Lai**, Fujian (CN)

(73) Assignee: **Fujian Weika Sports Development Co., Ltd.**, Fujian (CN)

(**) Term: **15 Years**

(21) Appl. No.: **29/812,357**

(22) Filed: **Oct. 20, 2021**

(51) **LOC (13) Cl.** **03-01**

(52) **U.S. Cl.**
USPC **D3/226**

(58) **Field of Classification Search**
USPC D3/226, 215, 221, 224, 232–233, 201,
D3/207, 240–246, 249, 253; D2/624,
D2/627, 631
CPC .. A45F 1/104; A45F 3/00; A45F 3/005; A45F
3/006; A45F 5/00; A45F 5/02; A45F
5/021; A45F 2005/025; A41F 1/00; A41F
9/00; A41F 9/02; A41F 9/002
See application file for complete search history.

(56) **References Cited**

U.S. PATENT DOCUMENTS

D374,983 S * 10/1996 Brucki D3/226
D408,628 S * 4/1999 Fusco D3/226

D417,072 S * 11/1999 Reinhart D3/226
D473,048 S * 4/2003 DiLorenzo D3/226
D787,177 S 5/2017 O'Connor
D883,661 S 5/2020 Olsen et al.

* cited by examiner

Primary Examiner — Catherine R Oliver-Garcia

(74) *Attorney, Agent, or Firm* — ScienBiziP, P.C.

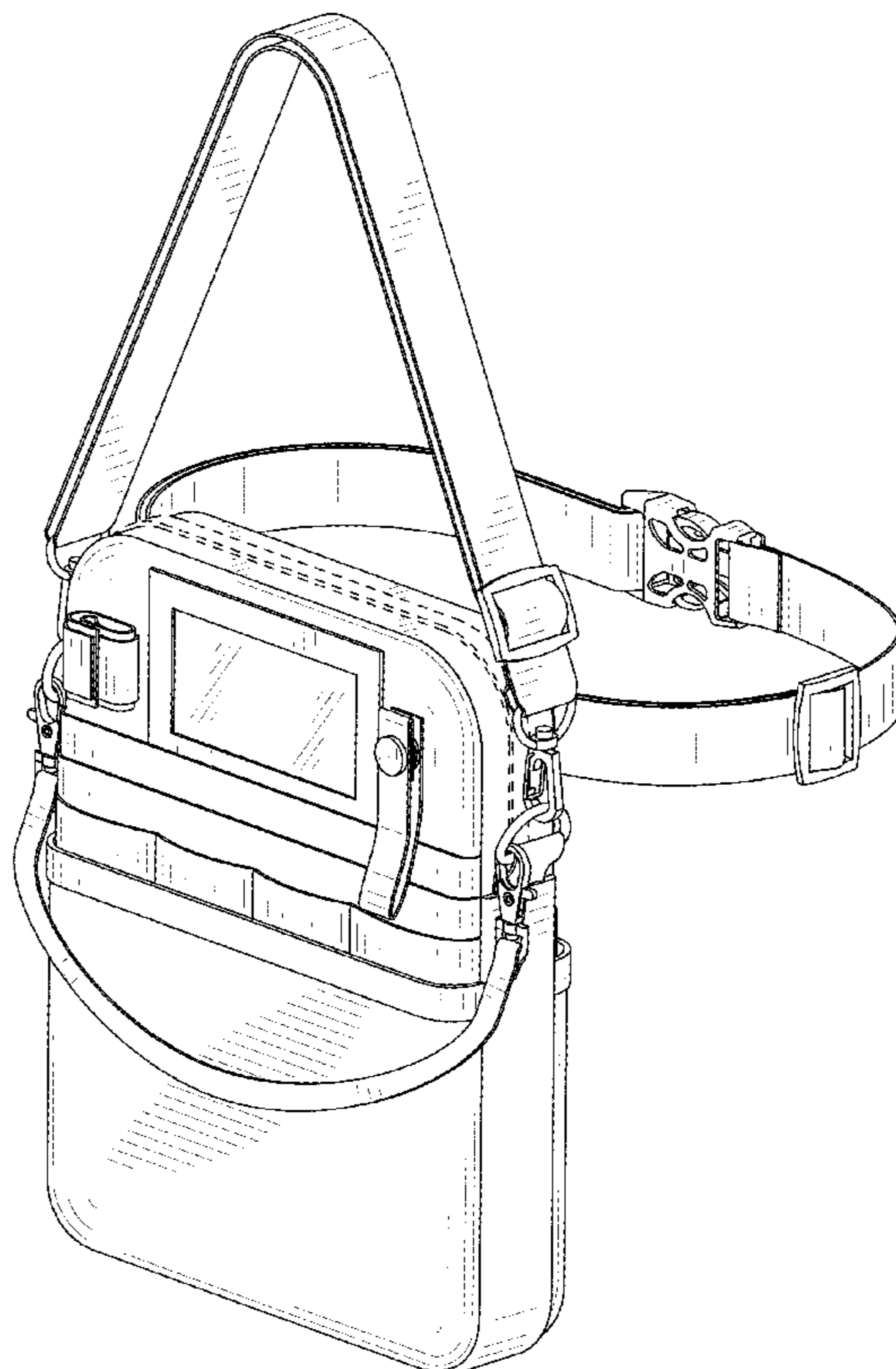
(57) **CLAIM**

The ornamental design for a fanny pack, as shown and described.

DESCRIPTION

FIG. 1 is a front, right and top perspective view of a fanny pack, showing my design.
FIG. 2 is a rear, left and bottom perspective view thereof.
FIG. 3 is a front elevation view thereof.
FIG. 4 is a rear elevation view thereof.
FIG. 5 is a left side elevation view thereof.
FIG. 6 is a right side elevation view thereof.
FIG. 7 is a top plan view thereof; and,
FIG. 8 is a bottom plan view thereof.
The broken lines shown in the drawings are included for the purpose of illustrating portions of the fanny pack that form no part of the claimed design.

1 Claim, 8 Drawing Sheets



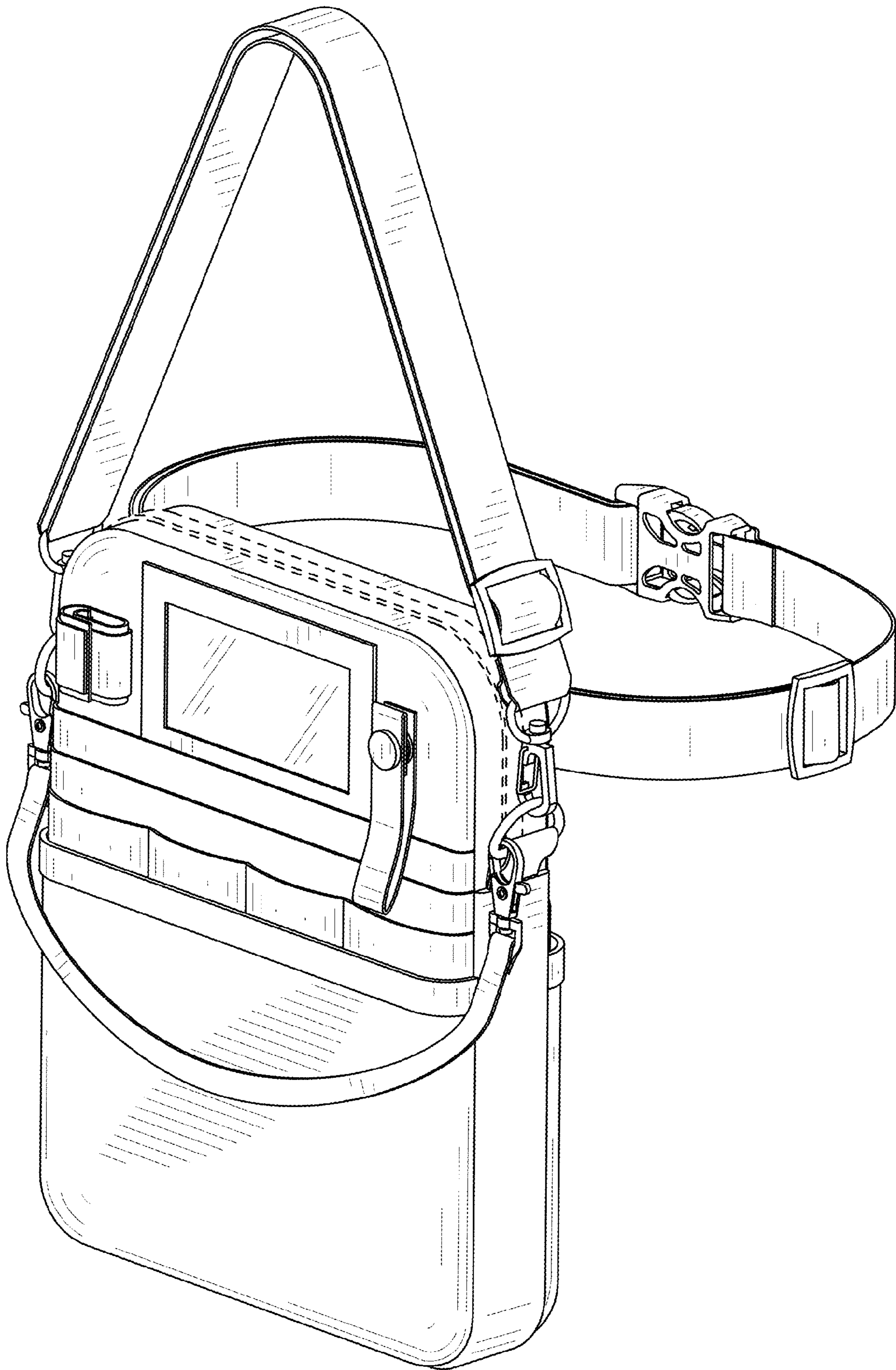


FIG. 1

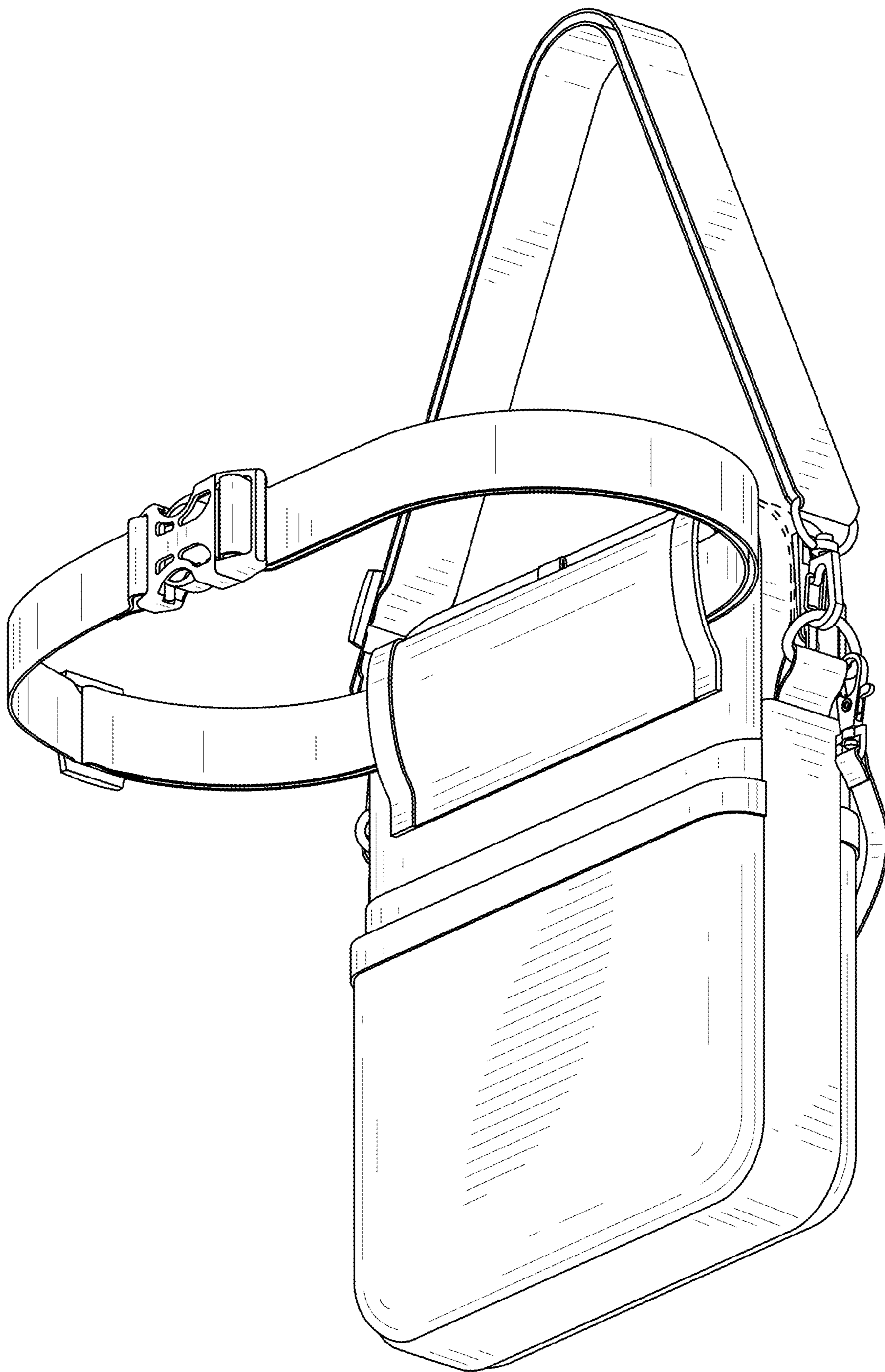


FIG. 2

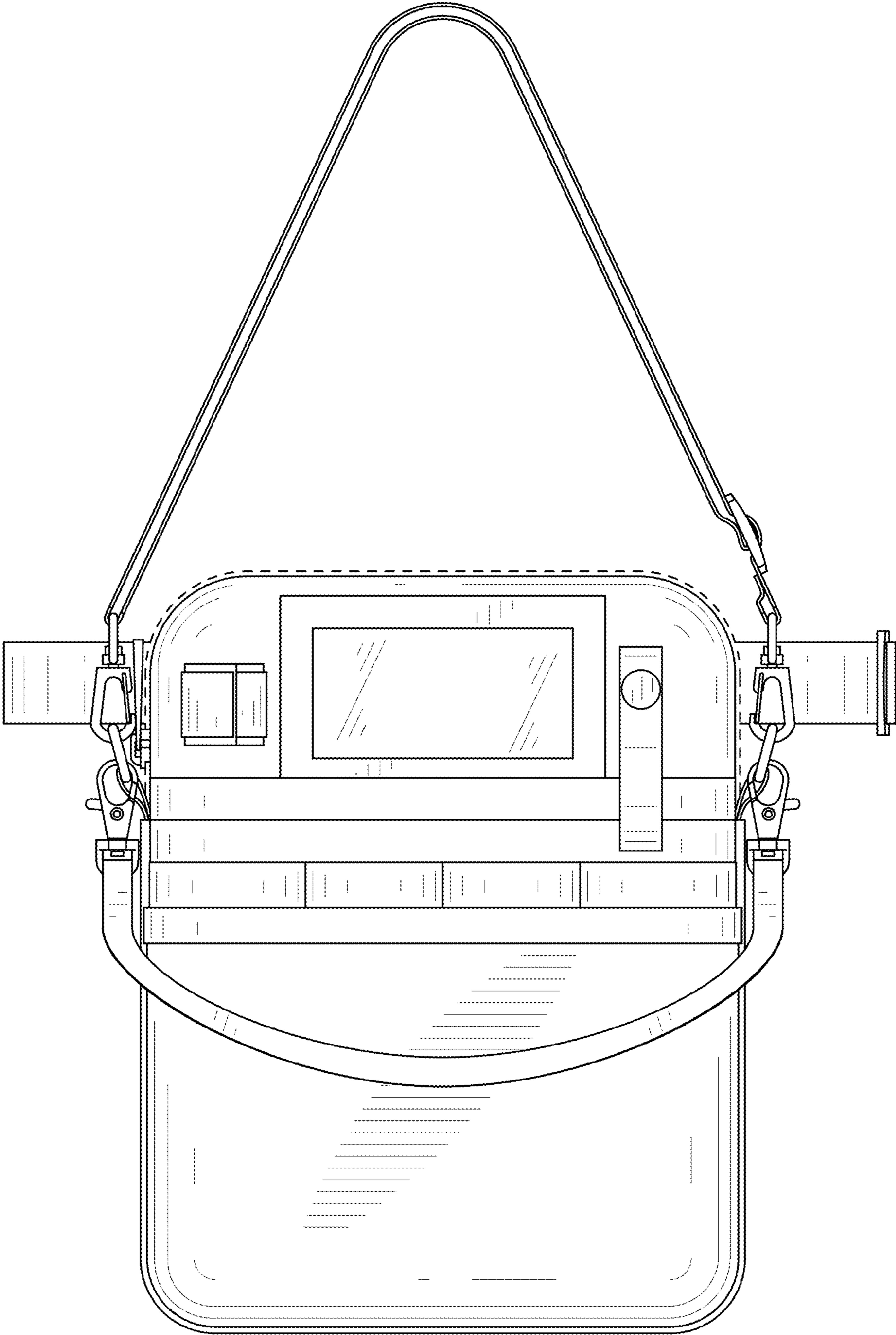


FIG. 3

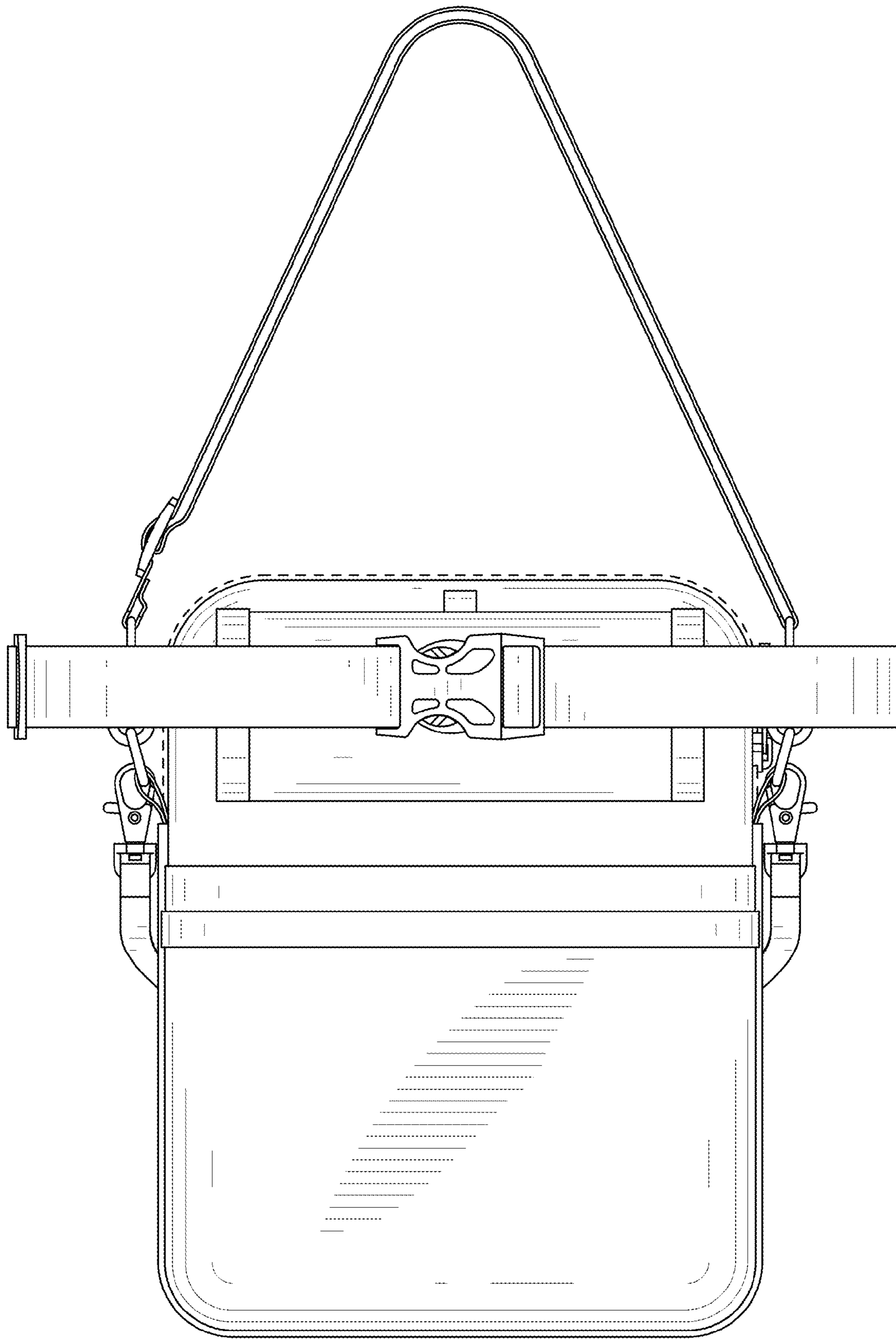


FIG. 4

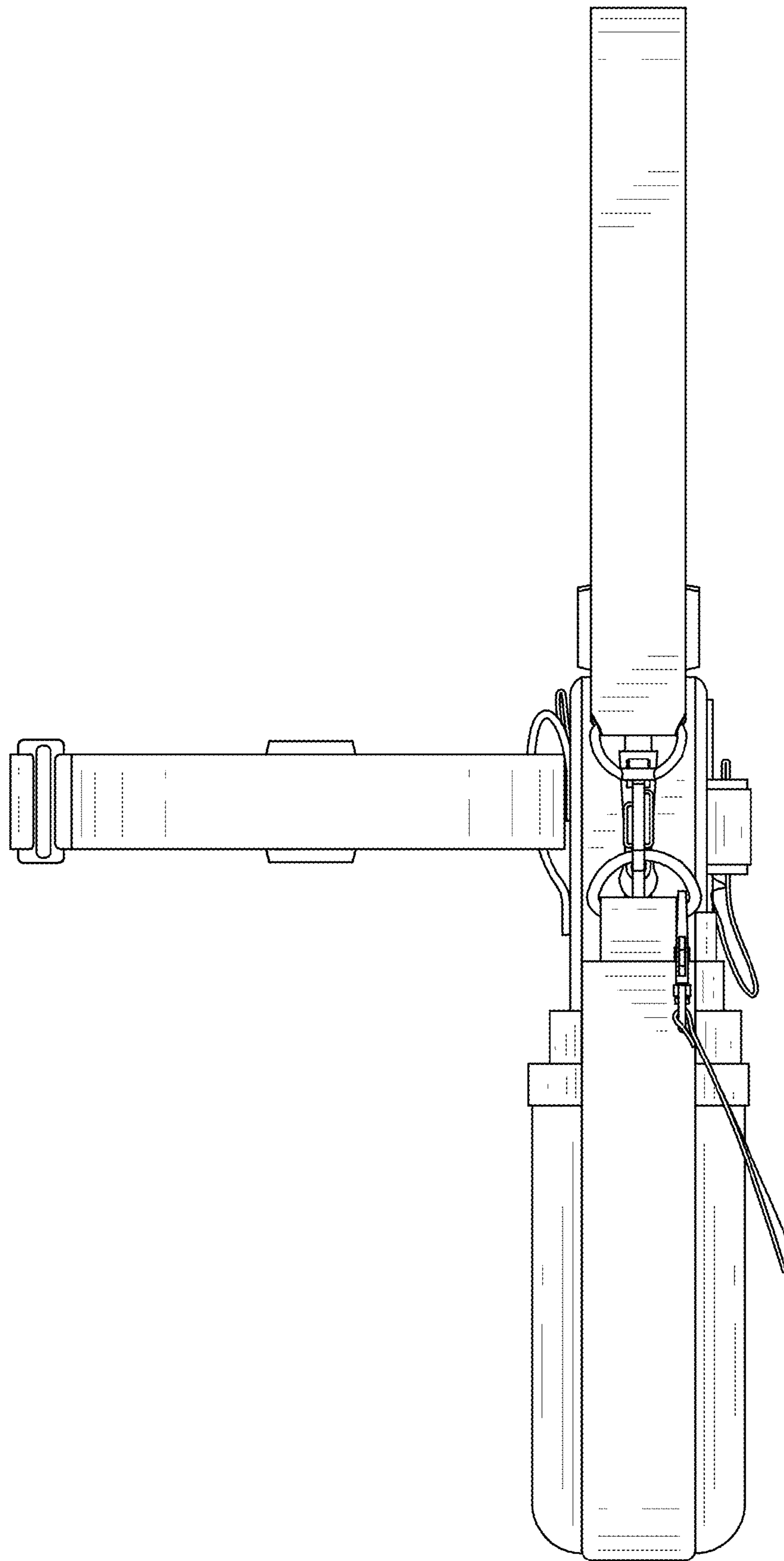


FIG. 5

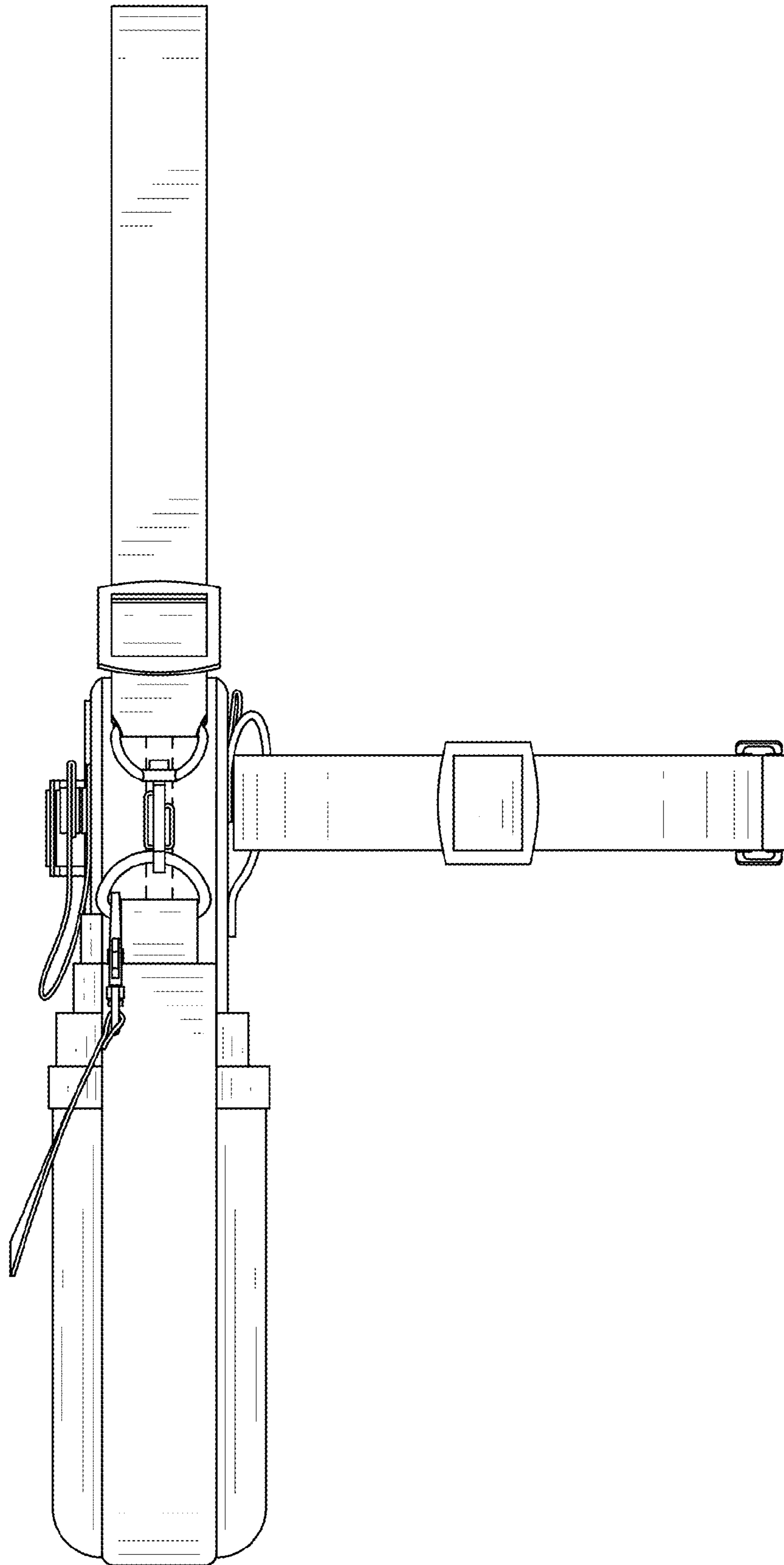


FIG. 6

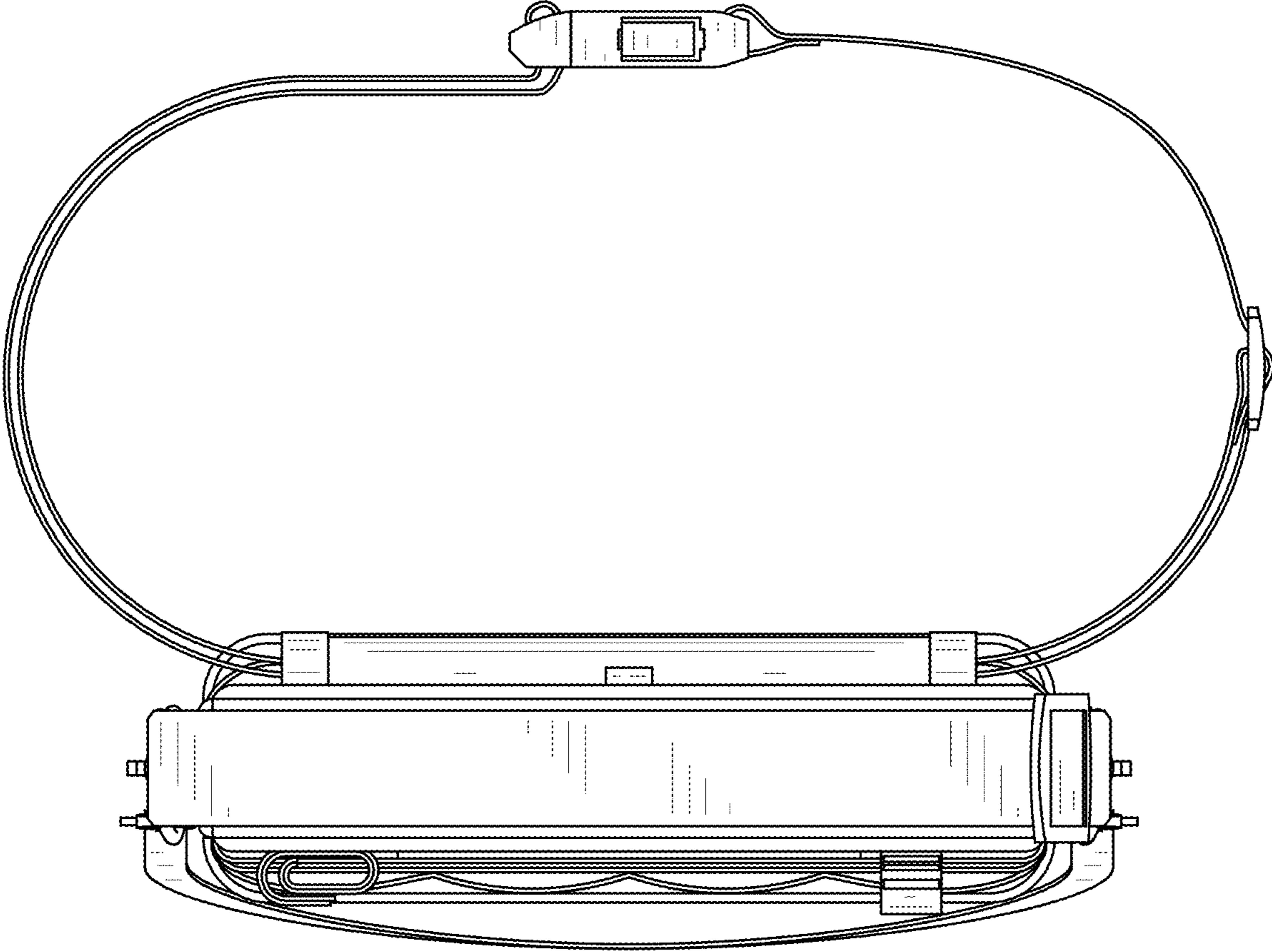


FIG. 7

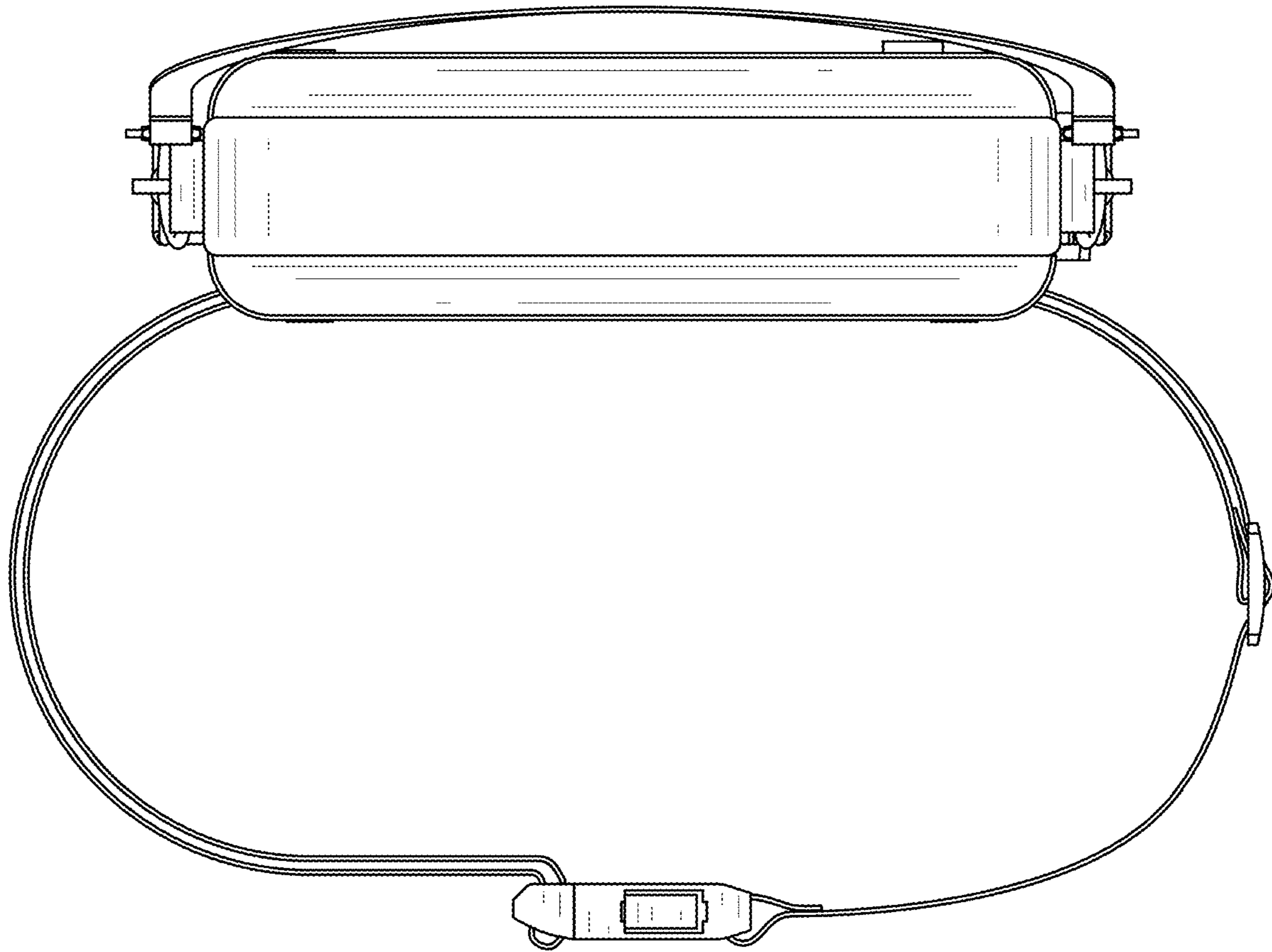


FIG. 8