



US00D962634S

(12) **United States Design Patent** (10) **Patent No.:** **US D962,634 S**
Dabush (45) **Date of Patent:** **** Sep. 6, 2022**

(54) **HOLSTER**
(71) Applicant: **V-Armed Inc.**, New York, NY (US)
(72) Inventor: **Elad Dabush**, Herzliya (IL)
(73) Assignee: **V-ARMED INC.**
(**) Term: **15 Years**

D784,008 S * 4/2017 Rogers D3/222
D835,399 S * 12/2018 Sereday D3/222
D835,400 S * 12/2018 Resca D3/222
D917,878 S * 5/2021 Huang D3/222
D919,965 S * 5/2021 Xia D3/222
D928,504 S * 8/2021 Li D3/222
D930,979 S * 9/2021 Tang D3/222
D933,952 S * 10/2021 Sun D3/222
D945,149 S * 3/2022 Zhang D3/222

(Continued)

(21) Appl. No.: **29/737,457**
(22) Filed: **Jun. 9, 2020**
(51) **LOC (13) Cl.** **03-01**
(52) **U.S. Cl.**
USPC **D3/222**
(58) **Field of Classification Search**
USPC D2/627, 629, 639; D3/215, 220–226,
D3/228–230, 262, 269, 303–304, 318,
D3/327–328, 218; D8/71; D22/108–109,
D22/117–118, 199; D19/75, 77, 81,
D19/84–85, 102, 107
CPC F41C 33/001; F41C 33/002; F41C 33/003;
F41C 33/01; F41C 33/0209; F41C
33/0227; F41C 33/0236; F41C 33/0254;
F41C 33/0263; F41C 33/041; F41C
33/043; F41C 33/045; F41C 33/046;
F41C 33/048; F41C 33/06; A45F 3/005;
A45F 3/02; A45F 3/06; A45F 3/14; A45F
2003/001; A45F 2003/006; A45F
2003/007; A45F 2003/045; A45F
2003/047; A45F 2003/148; A45F 5/00;
A45F 5/02; A45F 5/021; A45F 2005/025;
A45F 2200/025; A45F 2200/05; A45F
2200/0525; A45F 2200/0508; A45F
2200/0516; A45F 2200/0575; A45F
2200/0591; A45C 11/04; A41F 11/00;
A41F 11/16; Y10S 224/911
See application file for complete search history.

(56) **References Cited**

U.S. PATENT DOCUMENTS

D776,918 S * 1/2017 Madrid D3/222
D776,919 S * 1/2017 Tate D3/222

OTHER PUBLICATIONS

Blackhawk! Serpa Taser X-26 Duty Holster, first available Oct. 29, 2010, amazon.com [online], [sit visited Oct. 6, 2021-], Available at internet URL: <https://www.amazon.com/BLACKHAWK-SERPA-Taser-X-26-Holster/dp/B004T17GE4> (Year: 2010).*

Primary Examiner — Jeffrey D Asch
Assistant Examiner — Caitlin A Laverty
(74) *Attorney, Agent, or Firm* — Gearhart Law, LLC;
David Postolski, Esq.

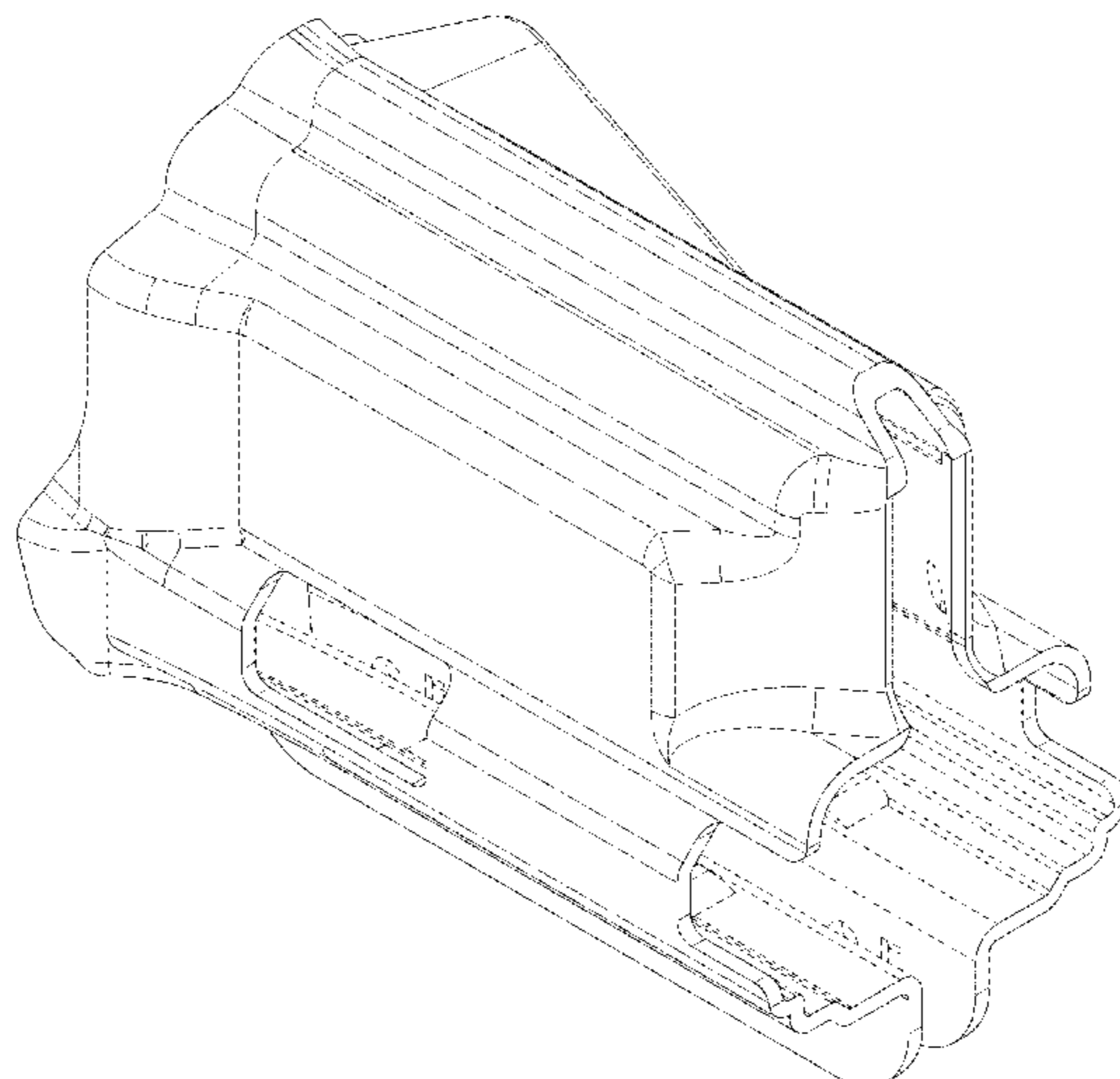
(57) **CLAIM**

I claim the ornamental design for a holster, as shown and described.

DESCRIPTION

FIG. 1 is a front perspective view of a new ornamental design for a holster.
FIG. 2 is a front view of FIG. 1.
FIG. 3 is a rear view of FIG. 1.
FIG. 4 is a top view of FIG. 1.
FIG. 5 is a bottom view of FIG. 1.
FIG. 6 is a right side view of FIG. 1; and,
FIG. 7 is a left side view of FIG. 1.
The broken lines in the drawing show portions of the holster that form no part of the claimed design.

1 Claim, 7 Drawing Sheets



(56)

References Cited

U.S. PATENT DOCUMENTS

2005/0127121 A1* 6/2005 Wells F41C 33/0209
224/193
2005/0205624 A1* 9/2005 French F41C 33/0263
224/244
2017/0003101 A1* 1/2017 Madrid G08B 25/016
2018/0347940 A1* 12/2018 Resca F41C 33/0263
2019/0128640 A1* 5/2019 Shinkle F41C 33/0209
2021/0278171 A1* 9/2021 Su F41C 33/0263
2021/0333065 A1* 10/2021 Aral F41C 33/045
2021/0348880 A1* 11/2021 Zhang F41C 33/0272
2021/0364250 A1* 11/2021 DeSantis F41C 33/0209
2021/0389082 A1* 12/2021 Smith F41C 33/0263
2022/0011073 A1* 1/2022 Clawson F41C 33/041
2022/0057169 A1* 2/2022 Corsetti F41C 33/0209
2022/0107159 A1* 4/2022 Yeates F41C 33/041

* cited by examiner

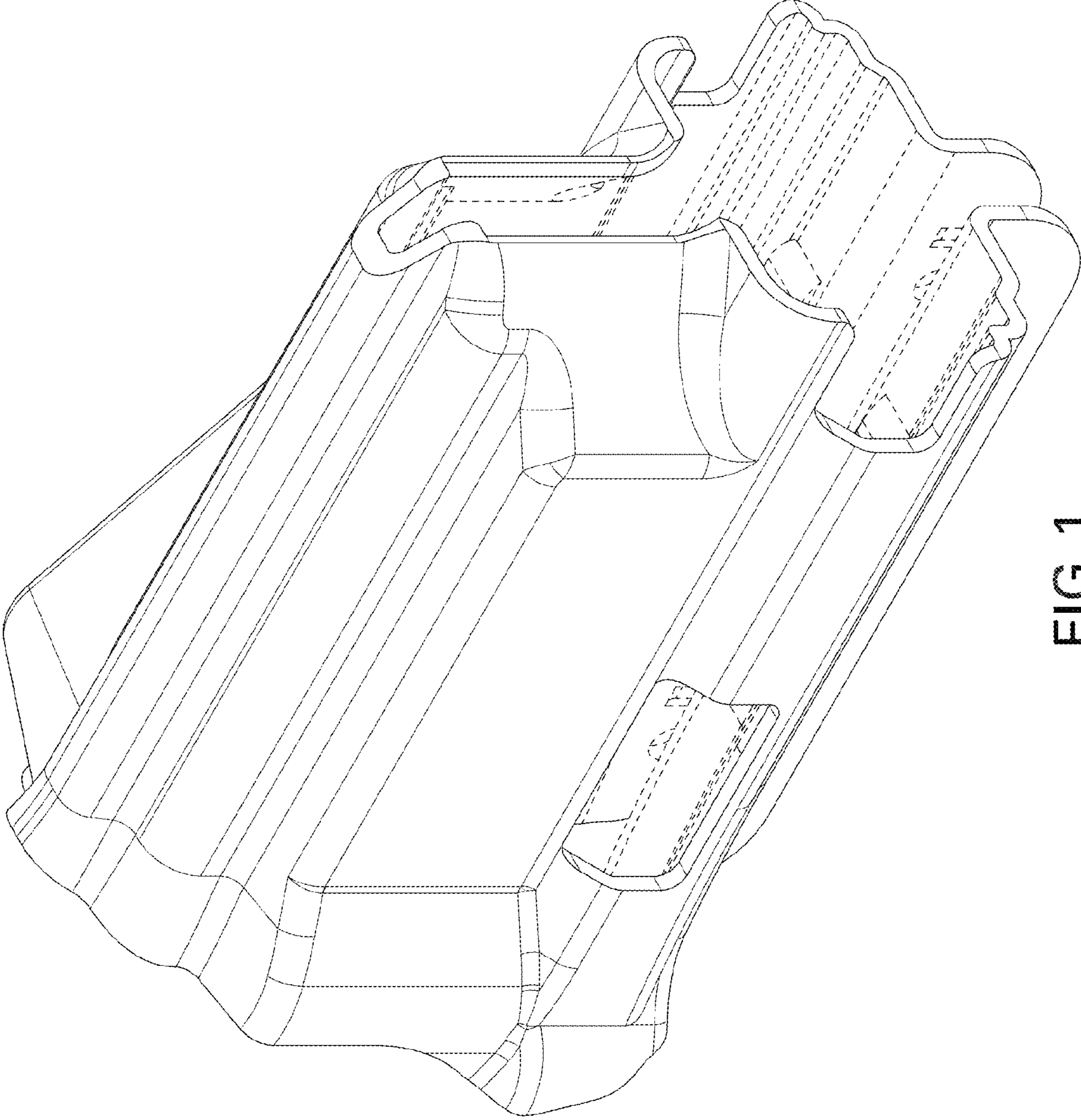


FIG.1

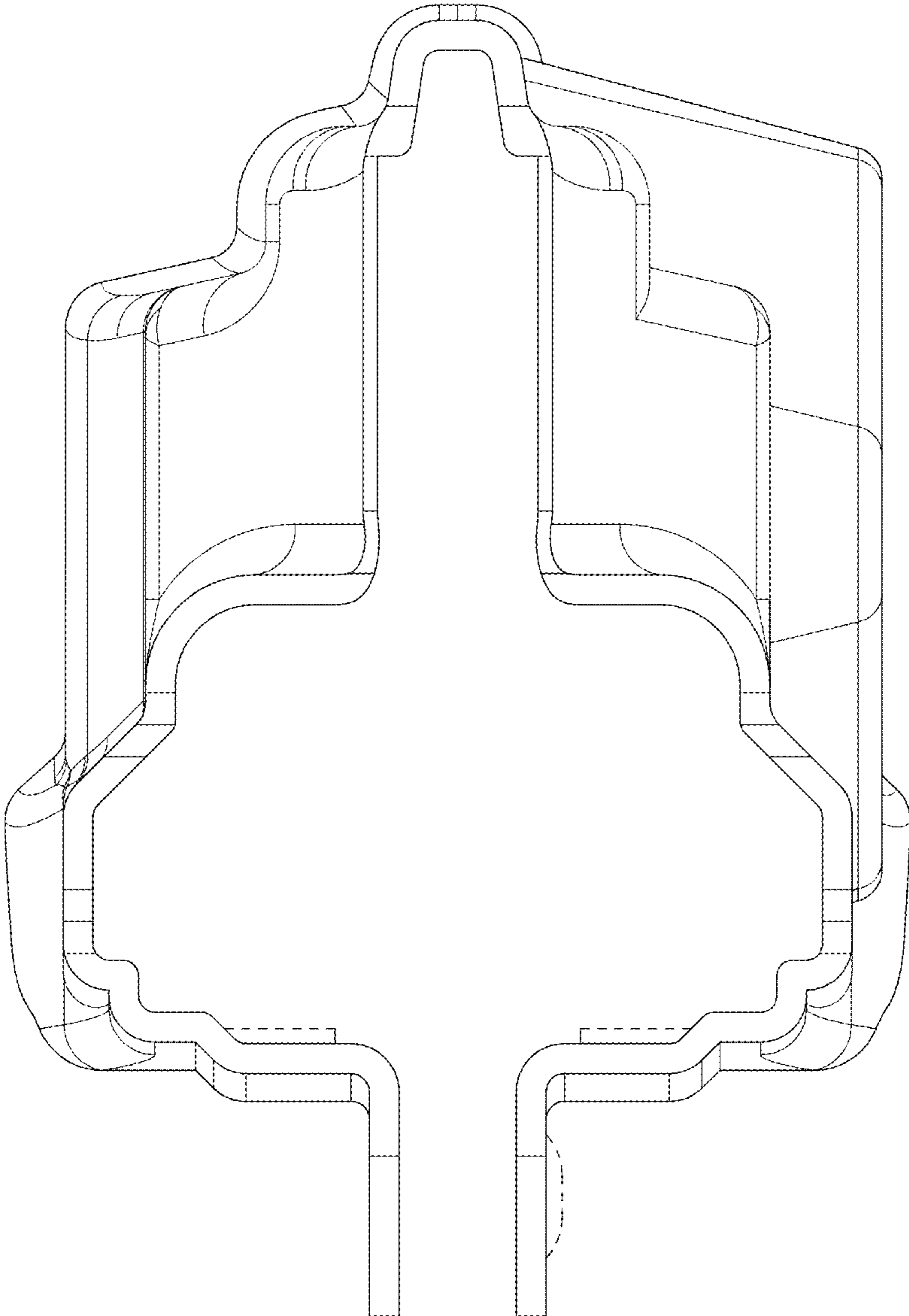


FIG. 2

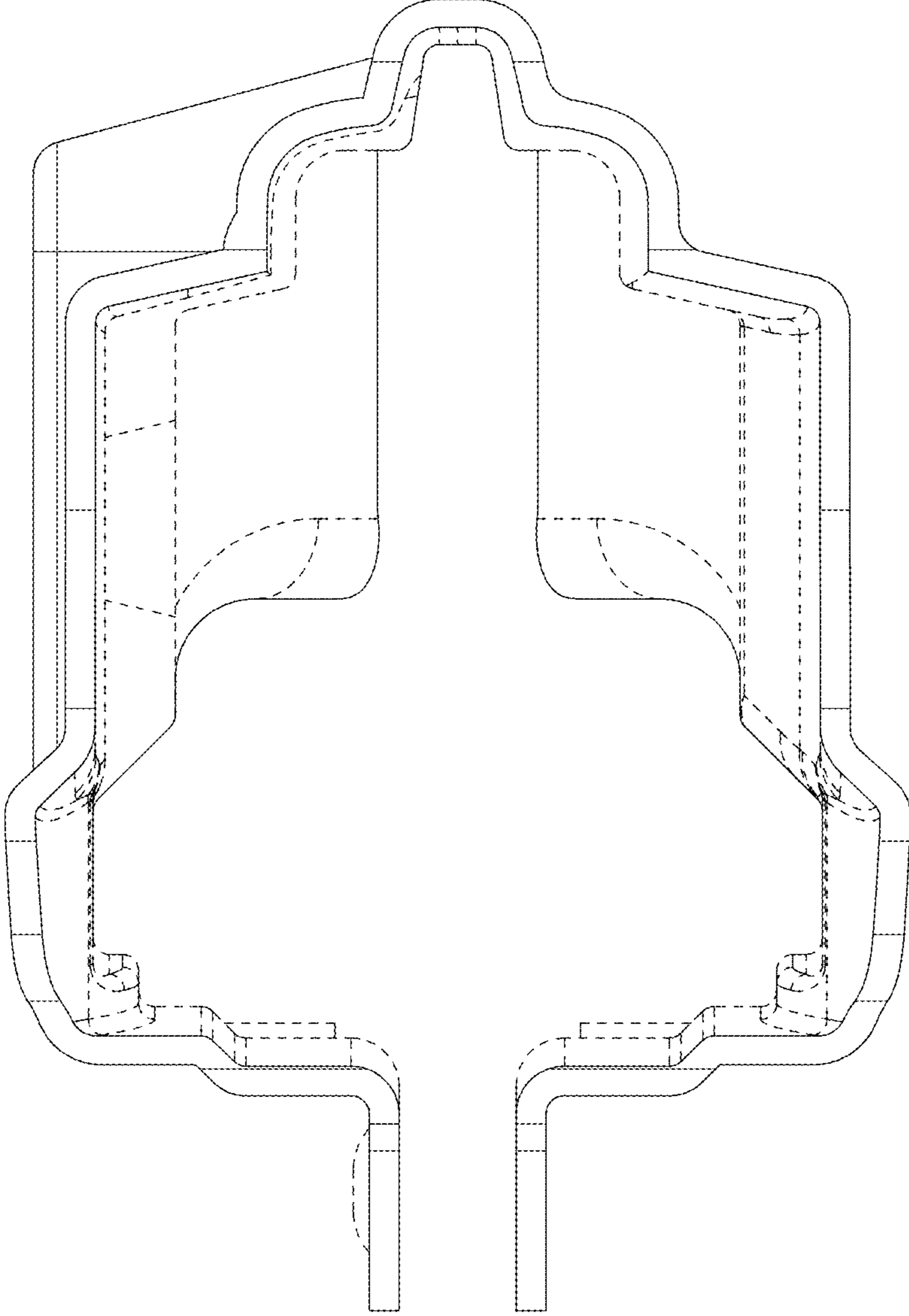


FIG. 3

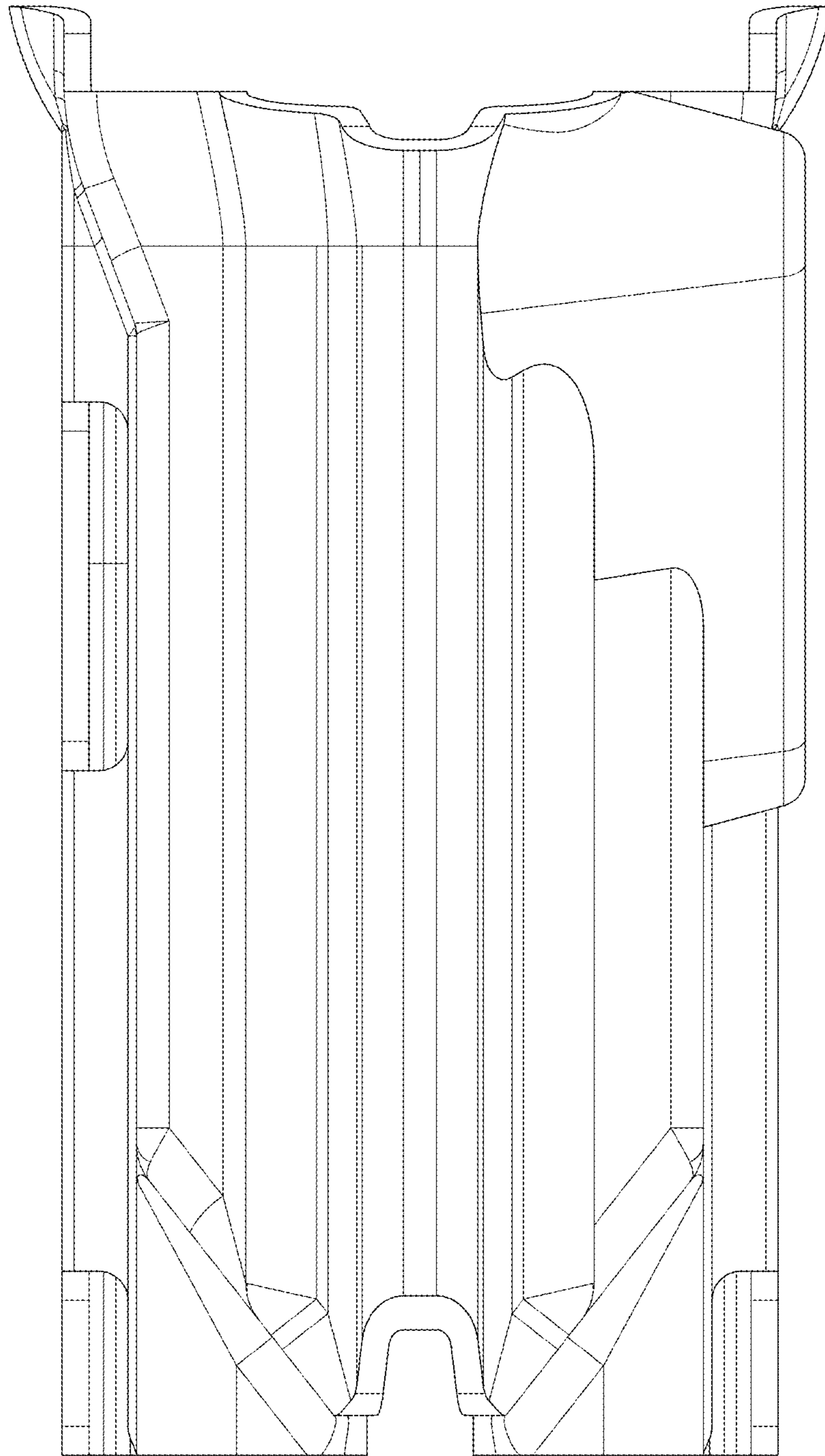


FIG. 4

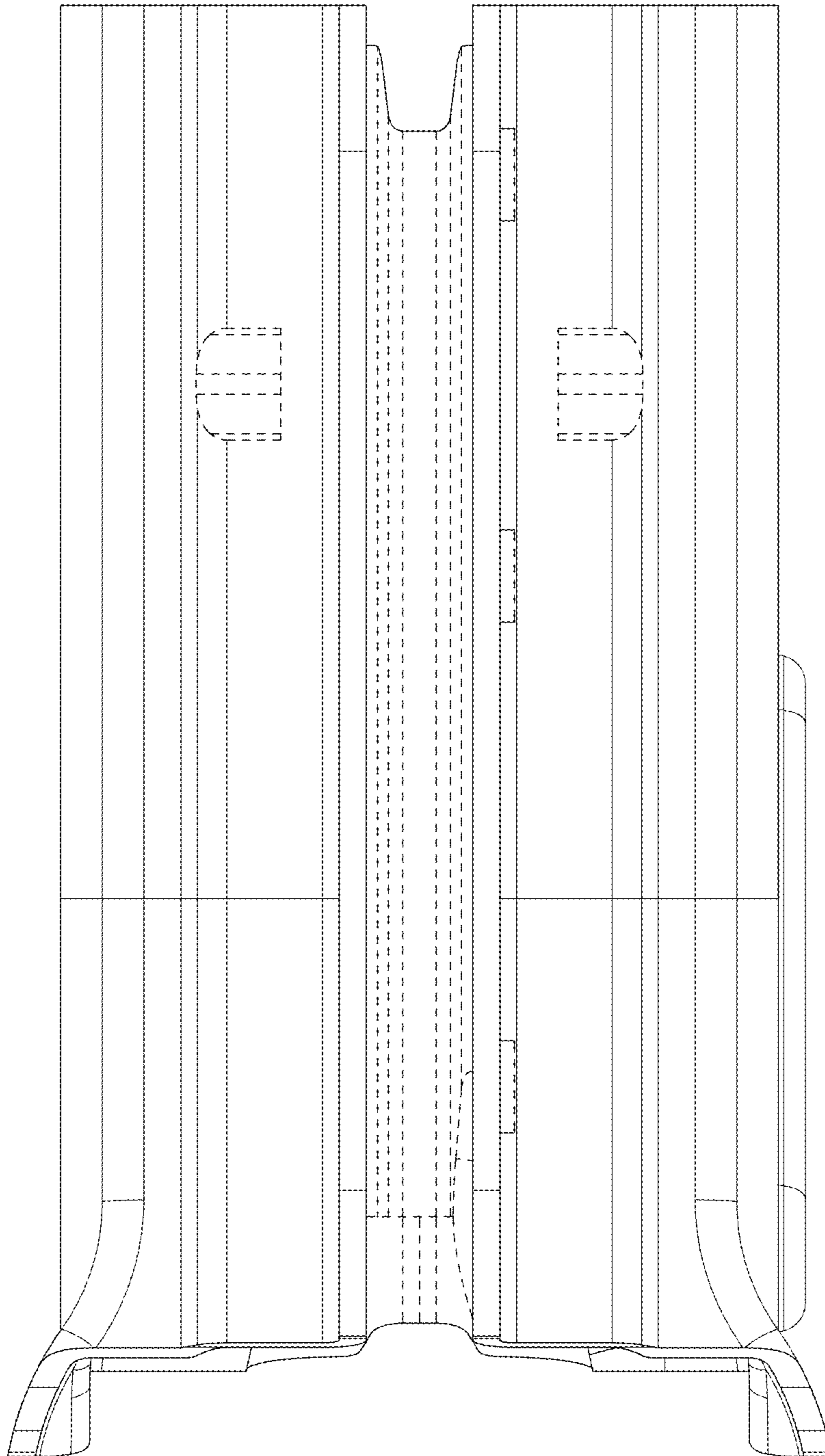


FIG. 5

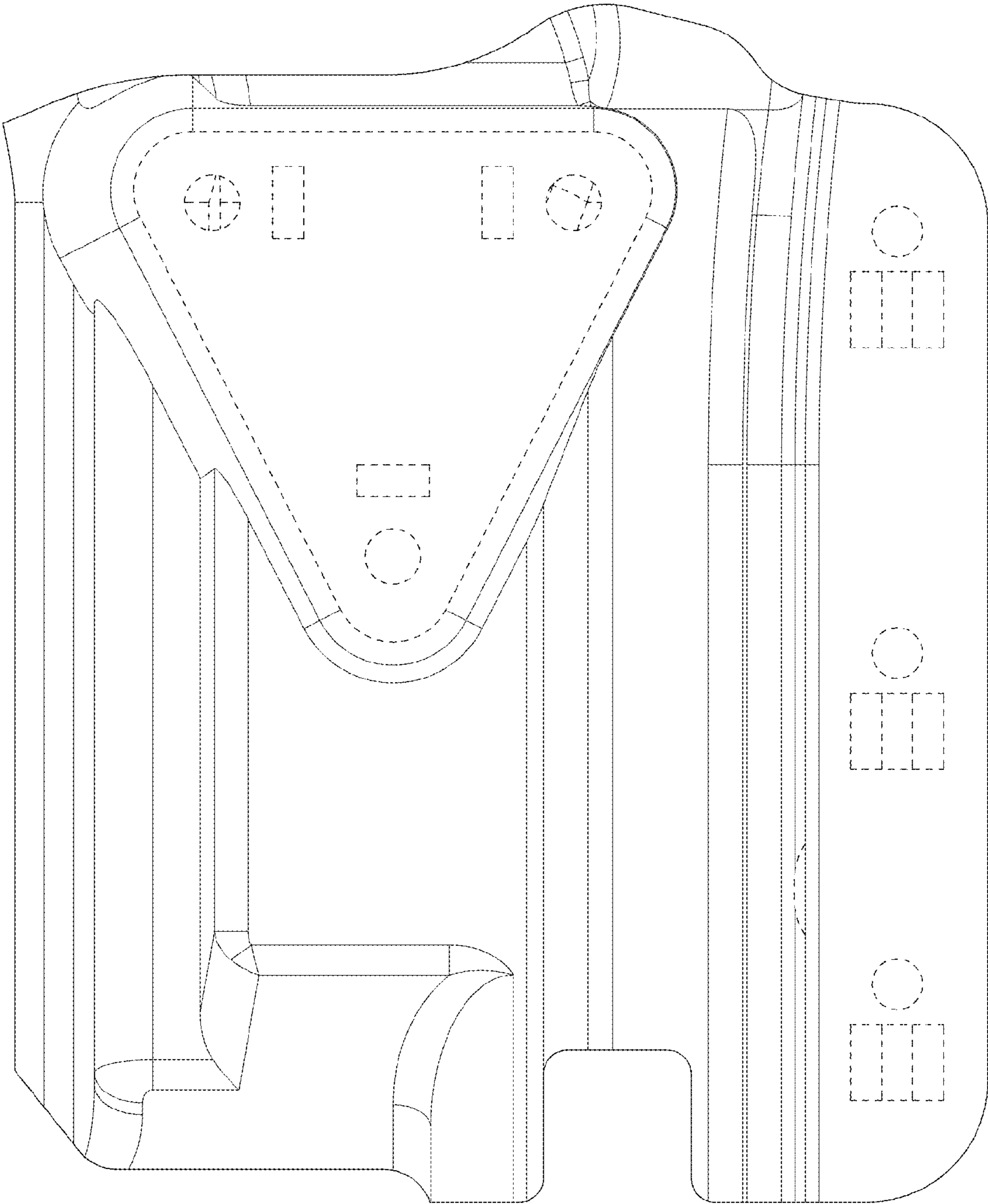


FIG. 6

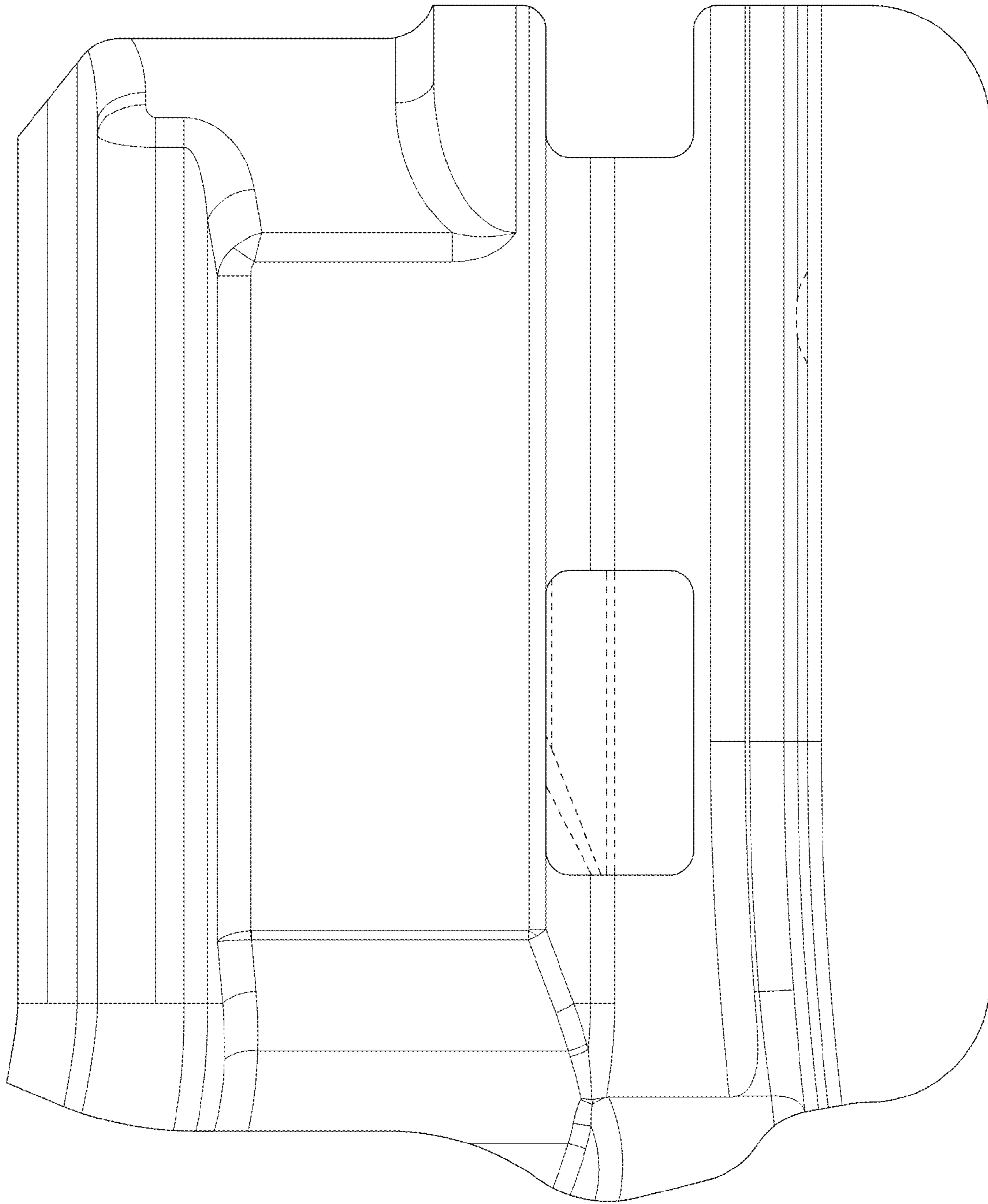


FIG. 7