



US00D962633S

(12) **United States Design Patent** (10) **Patent No.:** **US D962,633 S**
Moulton (45) **Date of Patent:** **** Sep. 6, 2022**

(54) **GOLF ACCESSORIES POUCH**

FOREIGN PATENT DOCUMENTS

(71) Applicant: **Donna L. Moulton**, Rancho Cucamonga, CA (US)

KR 301116969.0000 * 7/2021

(72) Inventor: **Donna L. Moulton**, Rancho Cucamonga, CA (US)

OTHER PUBLICATIONS

(**) Term: **15 Years**

Bucket Boss Fastener Tool Pouch with FlapFit in Brown, first available Nov. 8, 2013, amazon.com [online], site visited May 24, 2022], Available at URL: <https://www.amazon.com/Bucket-Boss-Fastener-FlapFit-54160/dp/B00GK4U0LO/> (Year: 2013).*

(21) Appl. No.: **29/652,420**

(Continued)

(22) Filed: **Aug. 12, 2020**

Primary Examiner — Jeffrey D Asch
Assistant Examiner — Caitlin A Laverty

(51) **LOC (13) Cl.** **03-01**

(74) *Attorney, Agent, or Firm* — Carson Patents®; Gregory D Carson

(52) **U.S. Cl.**
USPC **D3/221**

(57) **CLAIM**

(58) **Field of Classification Search**
USPC D3/254–255, 259, 328–328.1, 904,
D3/318–322, 221; D21/789, 796
CPC A63B 57/00; A63B 57/20
See application file for complete search history.

I claim the ornamental design for a golf accessories pouch, as shown and described.

DESCRIPTION

(56) **References Cited**

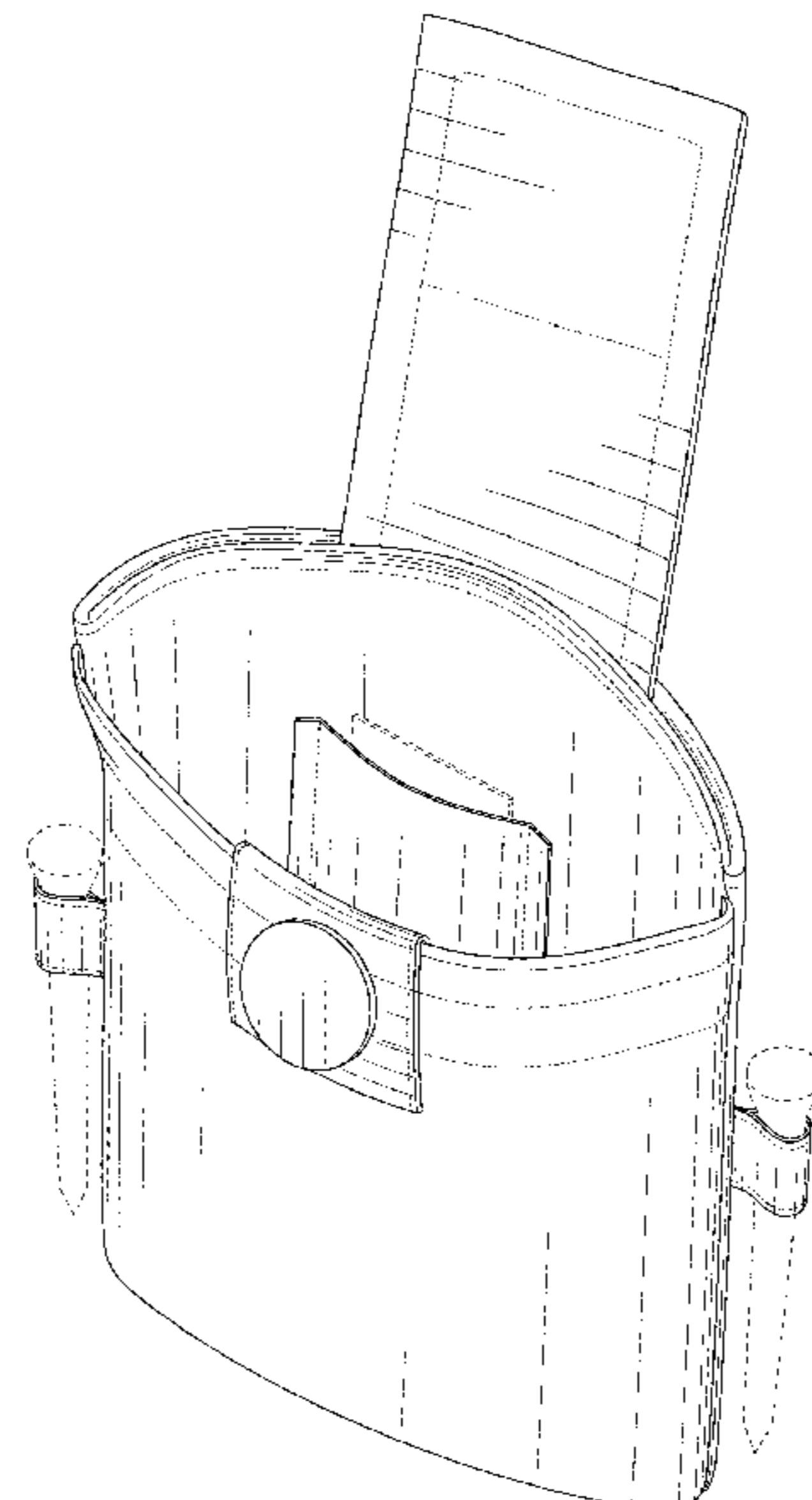
U.S. PATENT DOCUMENTS

2,537,701	A *	1/1951	Previdi	A63B 57/20
					2/250
2,682,981	A *	7/1954	Previdi	A63B 57/00
					224/675
3,298,579	A *	1/1967	Smith	A45F 5/021
					224/183
3,669,250	A *	6/1972	Maretka	A63B 57/203
					206/37
3,753,519	A *	8/1973	Gammon	A63B 57/207
					206/579
3,968,522	A *	7/1976	Riess	A63B 57/20
					224/919
D254,940	S *	5/1980	Thomas	D3/229
D296,156	S *	6/1988	Deany	D3/226

(Continued)

FIG. 1 is a three-dimensional view of the golf accessories pouch.
FIG. 2 is a front view of the golf accessories pouch.
FIG. 3 is a rear view of the golf accessories pouch.
FIG. 4 is a left side view of the golf accessories pouch.
FIG. 5 is a right side view of the golf accessories pouch.
FIG. 6 is a top view of the golf accessories pouch.
FIG. 7 is a bottom view of the golf accessories pouch.
FIG. 8 is a three-dimensional view of the golf accessories pouch with the pockets and golf tee holding straps open, and with magnetically attachable belt/belt-line flap open; and, FIG. 9 is a three-dimensional view of the golf accessories pouch with the pockets and golf tee holding straps open, and the magnetically attachable belt/belt-line flap closed securing the device to a belt-line.
The broken lines illustrating stitching in the golf accessories pouch do form part of the claimed design. The broken lines illustrating environment in FIGS. 9-10 form no part of the claimed design.

1 Claim, 5 Drawing Sheets



(56)

References Cited

U.S. PATENT DOCUMENTS

4,830,248 A * 5/1989 Pommenville A63B 55/408
 224/269
 D315,009 S * 2/1991 Ingalls D21/793
 D322,170 S * 12/1991 Nelson D3/226
 D326,016 S * 5/1992 Guaresi D3/904
 D330,634 S * 11/1992 Mandraccia D3/224
 D338,254 S * 8/1993 Ribbeck D3/229
 D340,963 S * 11/1993 Hall D3/254
 D382,107 S * 8/1997 Hwang D3/221
 D403,391 S * 12/1998 Wu D21/796
 D414,538 S * 9/1999 Harrison D21/796
 6,102,201 A * 8/2000 Marston A63B 57/207
 224/919
 6,168,061 B1 * 1/2001 Harrison A63B 47/001
 224/919
 D440,040 S * 4/2001 Cantasano D3/221
 D464,193 S * 10/2002 Leung D3/221
 D504,483 S * 4/2005 Leung D3/221

D562,928 S * 2/2008 Burns D21/789
 D565,292 S * 4/2008 Bush D3/221
 7,409,837 B2 8/2008 Smith
 D596,395 S * 7/2009 Cutler D3/226
 D610,644 S * 2/2010 Song D21/796
 D659,994 S * 5/2012 McLemore D3/221
 D681,942 S * 5/2013 Baker D3/221
 D687,912 S * 8/2013 Jones D21/796
 8,596,090 B1 12/2013 Smith
 8,646,971 B2 2/2014 Doyle
 D762,972 S 8/2016 Bradfield

OTHER PUBLICATIONS

NexAx Golf Ball Pouch Teel Holder Belt Waist Bag, unknown first available date, you-buy.ca [online], [site visited May 24, 2022], Available at URL: <https://www.you-buy.ca/en/product/21J87A4A-nexax-golf-ball-pouch-holder-storage-bag-belt-loop-made-of-genuine-leather-golf-sports-accessory-hol> (Year: 2022).*

* cited by examiner

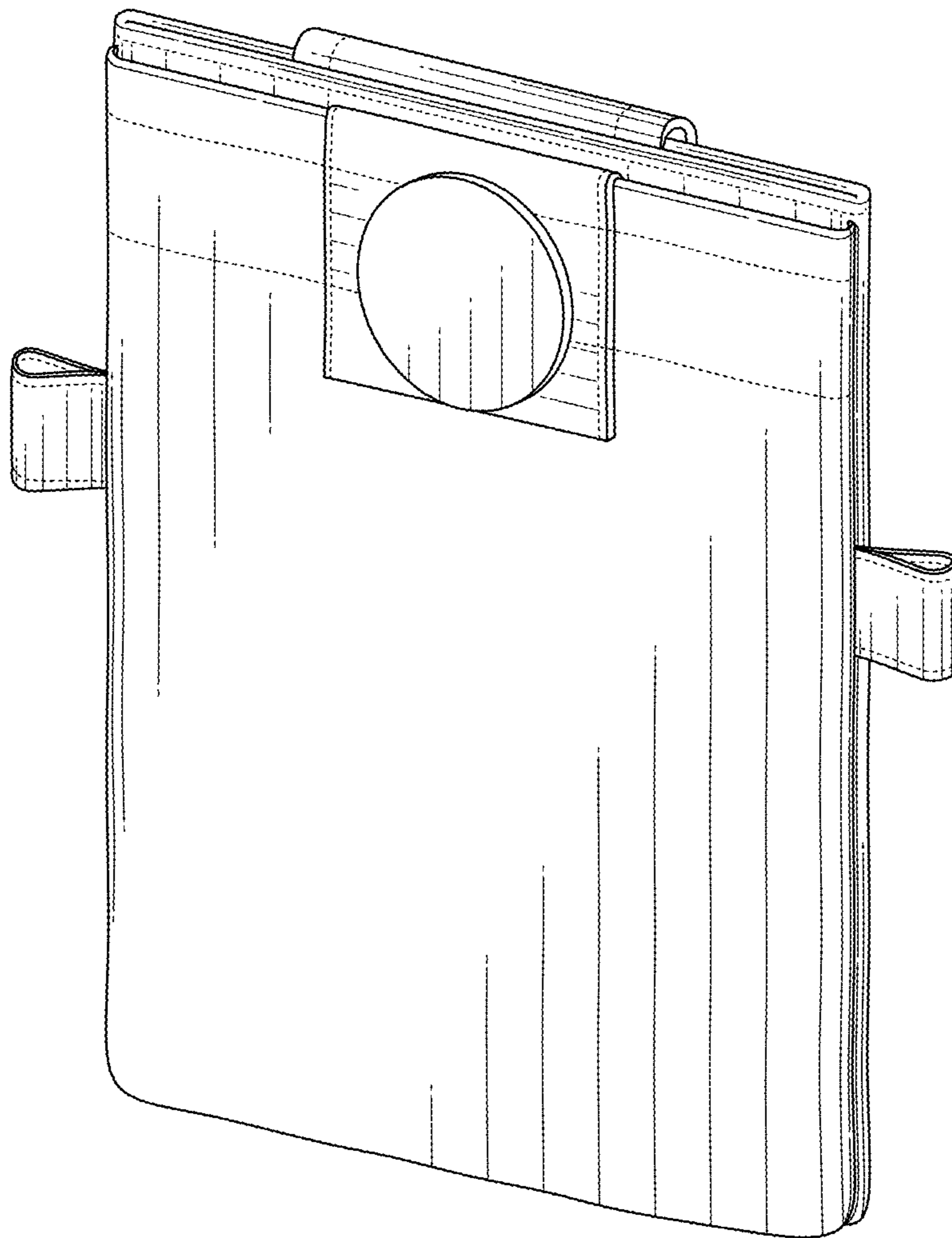


FIG. 1

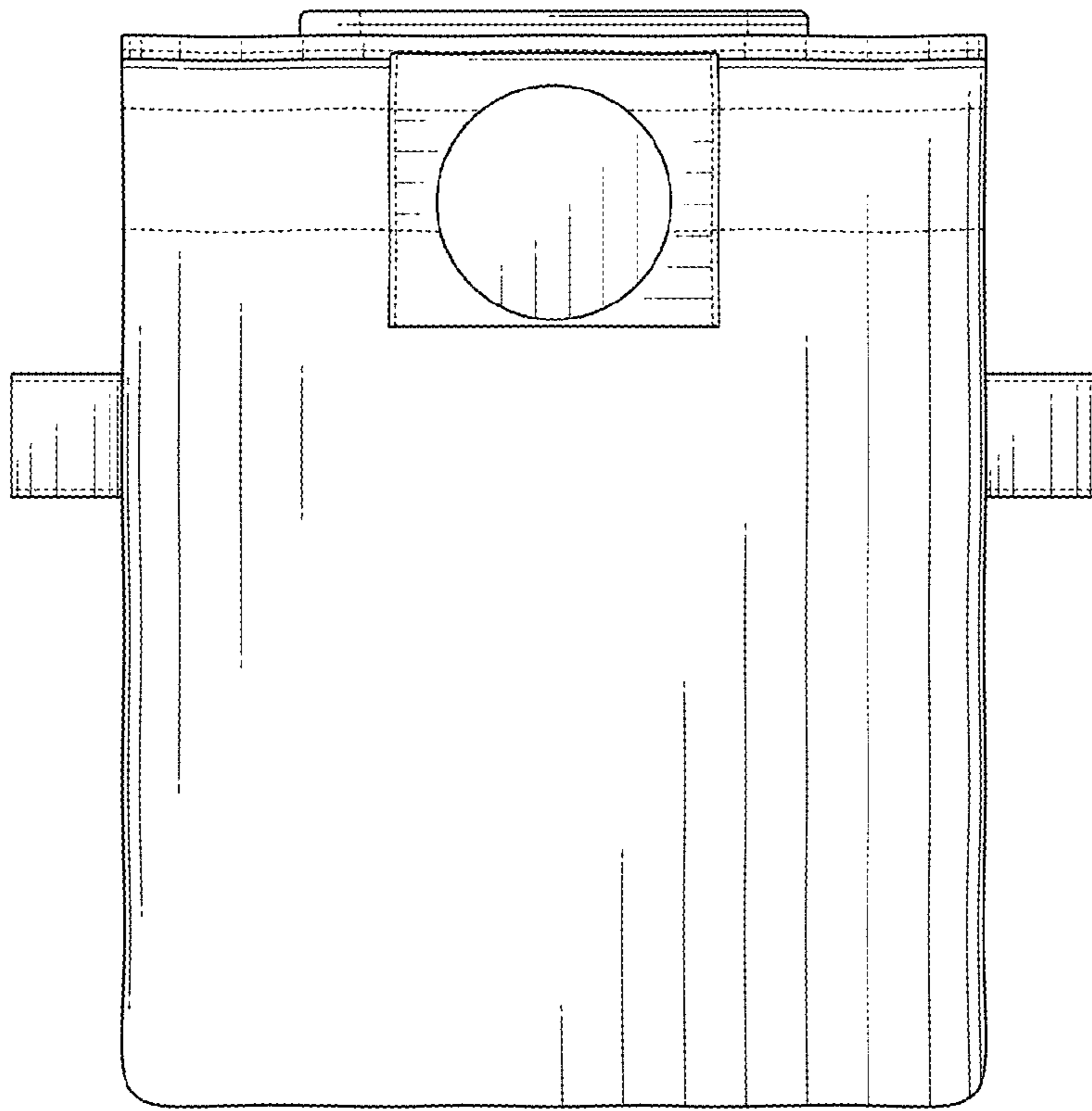


FIG. 2

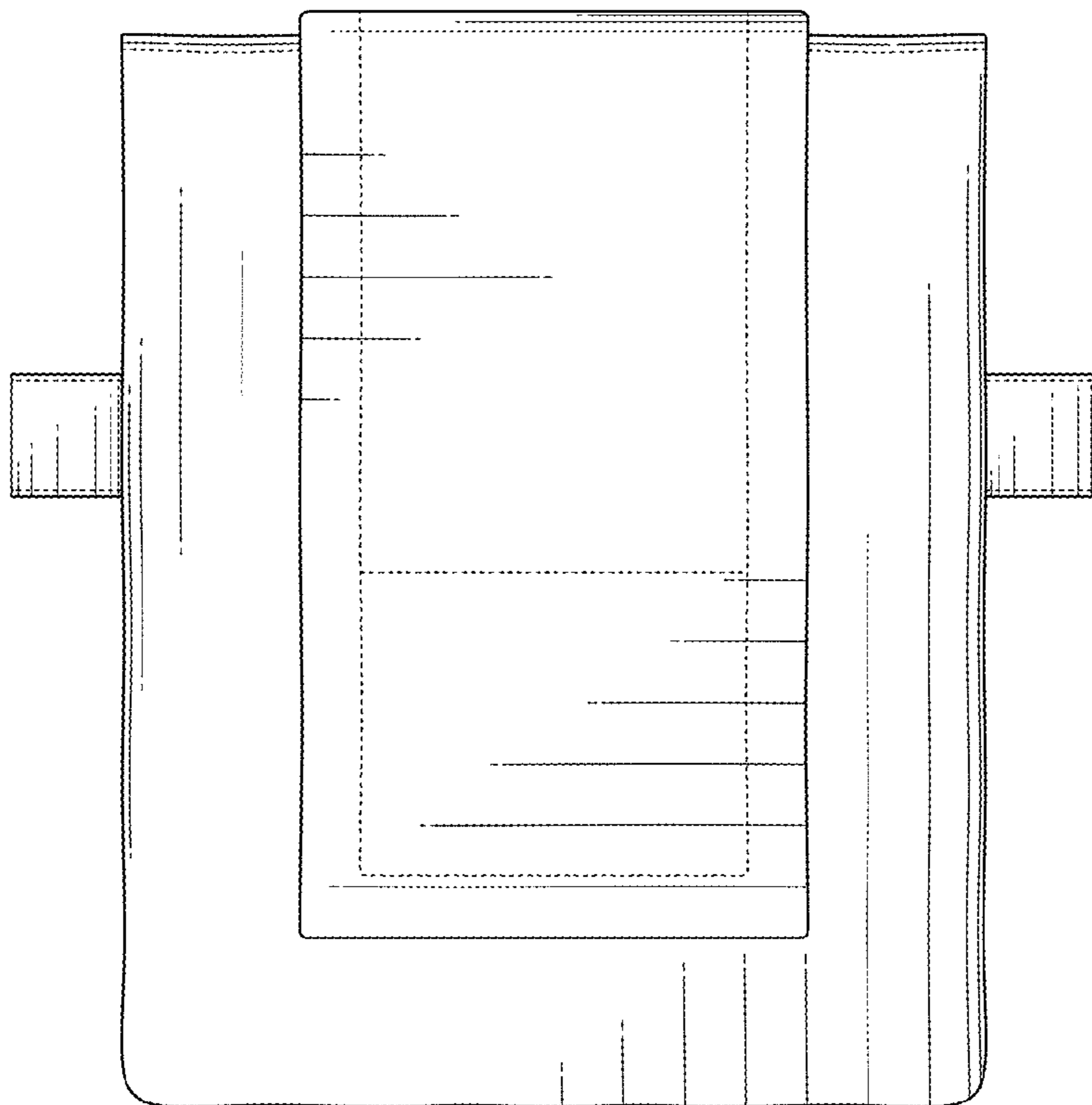


FIG. 3

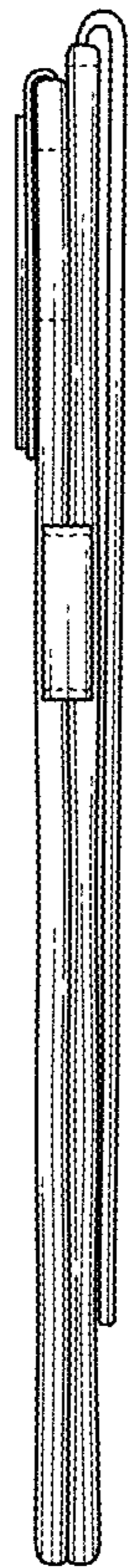


FIG. 4

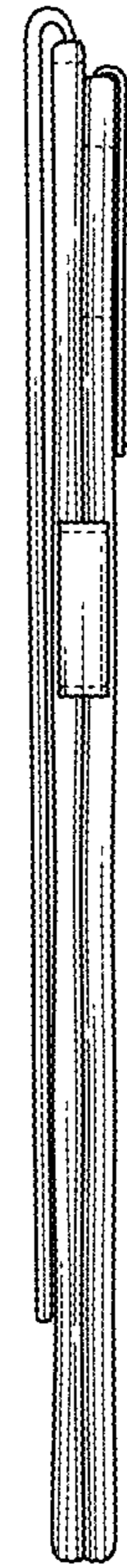


FIG. 5

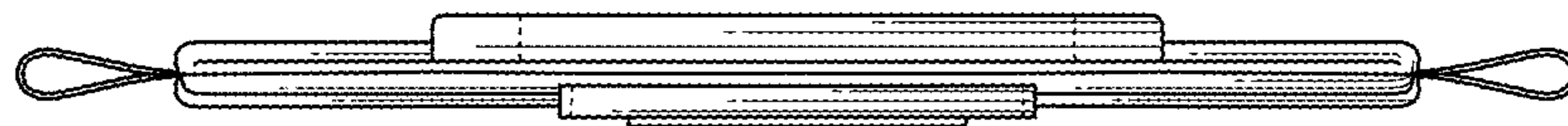


FIG. 6



FIG. 7

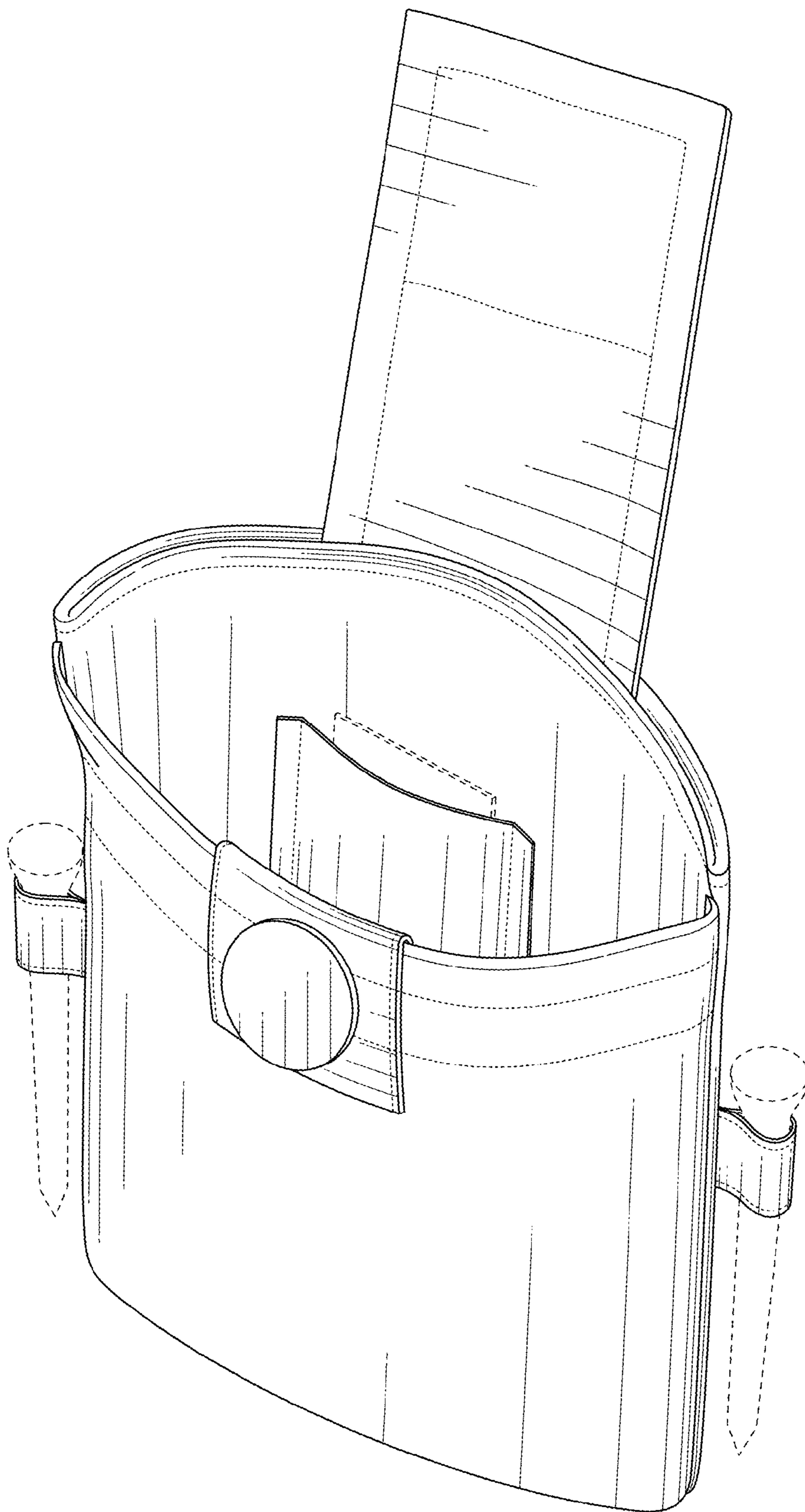


FIG. 8

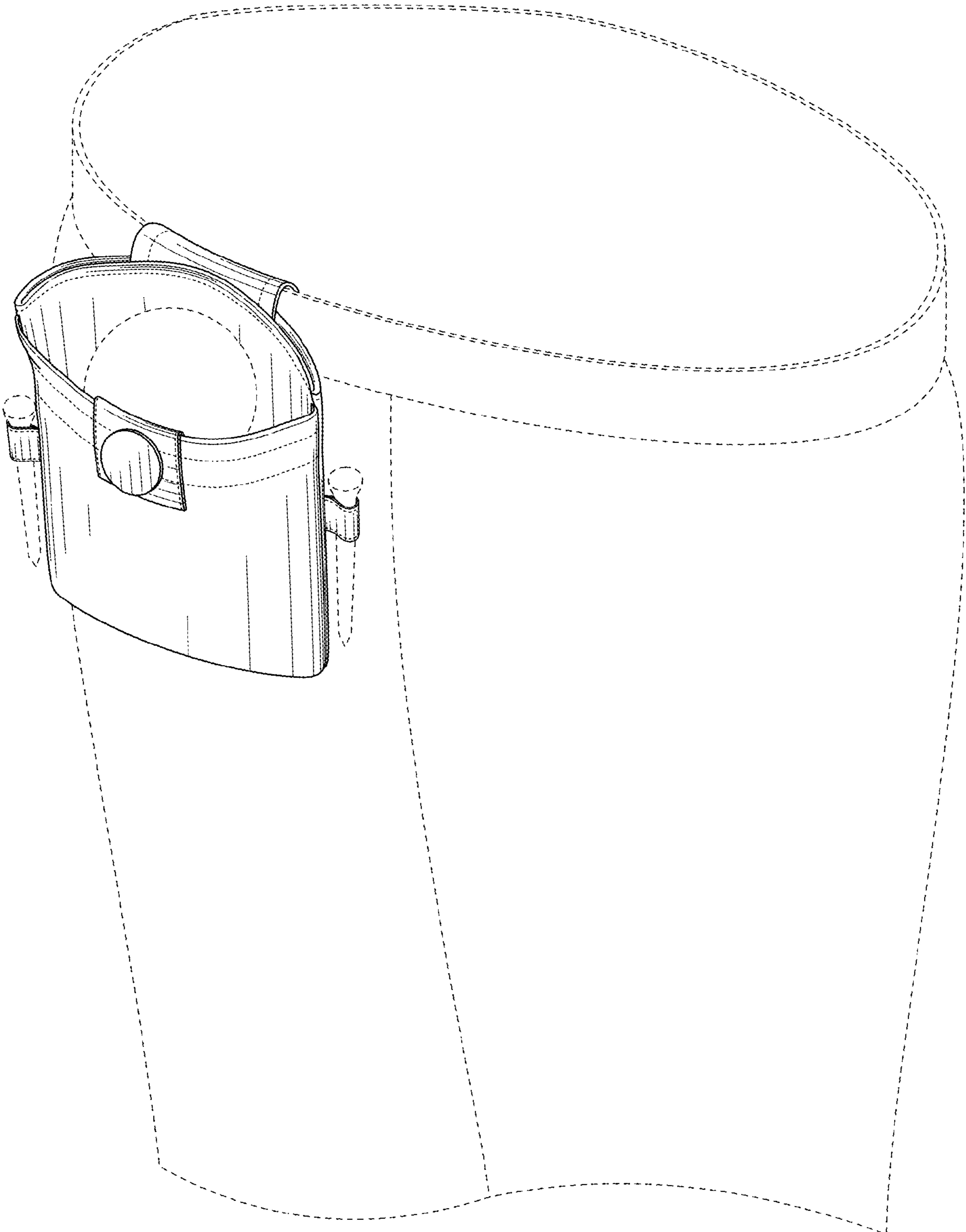


FIG. 9