

US00D962631S

(12) **United States Design Patent** (10) **Patent No.:** **US D962,631 S**
Chen (45) **Date of Patent:** **** Sep. 6, 2022**

(54) **MEDICATION CASE**

(71) Applicant: **Changsha Yuwen Network Technology Co., Ltd.**, Changsha (CN)
(72) Inventor: **Junyuan Chen**, Changsha (CN)
(73) Assignee: **HAIKOU LILI INVESTMENT CO., LTD.**, Haikou (CN)

(**) Term: **15 Years**

(21) Appl. No.: **29/773,299**

(22) Filed: **Mar. 9, 2021**

(51) **LOC (13) Cl.** **03-01**

(52) **U.S. Cl.**
USPC **D3/203.3**

(58) **Field of Classification Search**

USPC D3/201, 202, 203.1, 203.2, 203.3, 203.4, D3/203.5, 203.6, 203.7, 203.8, 204–212, D3/263–267, 270, 271.1, 273–275, 294, D3/295, 302, 901; D7/601, 602, D7/608–611, 614, 615, 637–639, D7/701–703; D9/600, 715, 717, 737, D9/756, 763, 766–773, 781, 782, 499; D14/203.4, 203.5, 203.6, 204, 205, D14/509–511; D24/224–227

(Continued)

(56) **References Cited**

U.S. PATENT DOCUMENTS

D227,552 S * 7/1973 Bridges D3/203.3
D271,081 S * 10/1983 Noble D3/203.3

(Continued)

FOREIGN PATENT DOCUMENTS

CN 306981958 * 12/2021
CN 307044803 * 1/2022

(Continued)

OTHER PUBLICATIONS

Ezy Dose Weekly (7-Day) Pill Organizer, available at amazon.com, earliest date available Jan. 21, 2021 [online], site visited Jun. 23, 2022, available from the internet URL: <https://www.amazon.com/dp/B08SN77SYX/?th=1> (Year: 2021).*

(Continued)

Primary Examiner — Messina L Smith

Assistant Examiner — Jillian Mazzola

(74) *Attorney, Agent, or Firm* — IPro, PLLC

(57) **CLAIM**

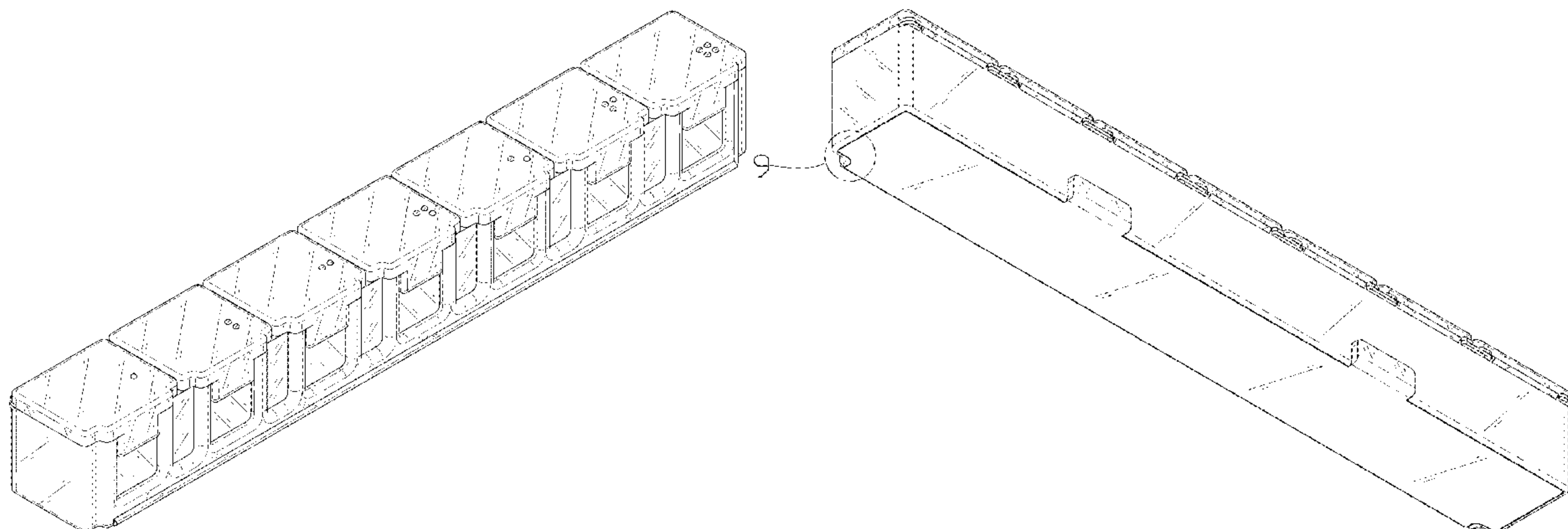
The ornamental design for a medication case, as shown and described.

DESCRIPTION

FIG. 1 is a front and left side perspective view of a medication case showing the new design; FIG. 2 is a rear and right side perspective view of the medication case; FIG. 3 is a front view of the medication case; FIG. 4 is a rear view of the medication case; FIG. 5 is a left side view of the medication case; FIG. 6 is a right side view of the medication case; FIG. 7 is a top view of the medication case; FIG. 8 is a bottom view of the medication case; FIG. 9 is an enlarged view of the portion surrounded by the dash-dot line in FIG. 2; and, FIG. 10 is a front and left side perspective view of the medication case in its open state.

The broken lines in the drawings depict portions of the medication case that form no part of the claimed design. The dot-dash broken lines encircling portions of the medication case in FIG. 2 and illustrated in enlarged view in FIG. 9 form no part of the claimed design. The oblique shading lines show a transparent or semi-transparent surface, and not surface ornamentation.

1 Claim, 10 Drawing Sheets



(58) **Field of Classification Search**

CPC A45C 11/00; A45C 11/005; A45C 11/008;
 A45C 11/02; A45C 11/04; A45C 11/043;
 A45C 11/046; A45C 11/06; A45C 11/08;
 A45C 11/10; A45C 11/12; A45C 11/14;
 A45C 11/16; A45C 11/18; A45C
 2011/001; A45C 2011/002; A45C
 2011/003; A45C 2011/006; A45C
 2011/007

See application file for complete search history.

(56)

References Cited

U.S. PATENT DOCUMENTS

D298,803 S * 12/1988 Ebling D30/131
 D304,905 S * 12/1989 Zimmerman D3/203.3
 D417,813 S * 12/1999 Cheris D6/632
 D452,611 S * 1/2002 Redgrave D3/264
 D612,894 S * 3/2010 Evans D21/392
 7,798,330 B2 * 9/2010 Noble B65D 83/04
 206/533
 D684,355 S * 6/2013 Priebe D3/203.3
 D691,366 S * 10/2013 Muncy D3/203.3
 D695,512 S * 12/2013 Priebe D3/203.3
 D696,008 S * 12/2013 Priebe D3/203.3
 D696,010 S * 12/2013 Priebe D3/203.3
 D696,856 S * 1/2014 Priebe D3/203.3
 D698,141 S * 1/2014 Priebe D3/203.3
 D698,540 S * 2/2014 Priebe D3/203.3
 D709,282 S * 7/2014 Priebe D3/203.3
 D747,869 S * 1/2016 Priebe D3/203.3
 D775,462 S * 1/2017 Noble D3/203.3

D833,733 S * 11/2018 Chen D3/203.3
 D850,782 S * 6/2019 Lee D3/203.3
 D877,489 S * 3/2020 Lee D3/203.2
 D898,348 S * 10/2020 Guo D3/203.3
 D914,358 S * 3/2021 Chen D3/203.3
 D916,455 S * 4/2021 Chen D3/203.2
 2010/0044270 A1 * 2/2010 Noble B65D 83/04
 206/538
 2011/0056864 A1 * 3/2011 Chia B65D 83/04
 206/538

FOREIGN PATENT DOCUMENTS

CN 307110644 * 2/2022
 CN 307373773 * 5/2022

OTHER PUBLICATIONS

7-Day Pill Organizer—Extra Large, available at pillthing.com, date not available [online], site visited Jun. 23, 2022, available from the internet URL: <https://pillthing.com/products/7-day-pill-organizer-extra-large-item-95052> (Year: 2022).*

LS&S 481056 Braille Pill Box, available at devinemedical.com, date not available [online], site visited Jun. 23, 2022, available from the internet URL: <https://www.devinemedical.com/LS-S-481056-Braille-Pill-Box-7-day-compartments-p/lss-481056.htm> (Year: 2022).*

VMVN Pill Box 7 Day, available at amazon.com.au, earliest customer review date available Jul. 20, 2021 [online], site visited Jun. 23, 2022, available from the internet URL: <https://www.amazon.com.au/VMVN-Organizers-Container-Medicine-Organizer%EF%BC%8CRemovable/dp/B099W7JHN4/> (Year: 2021).*

* cited by examiner

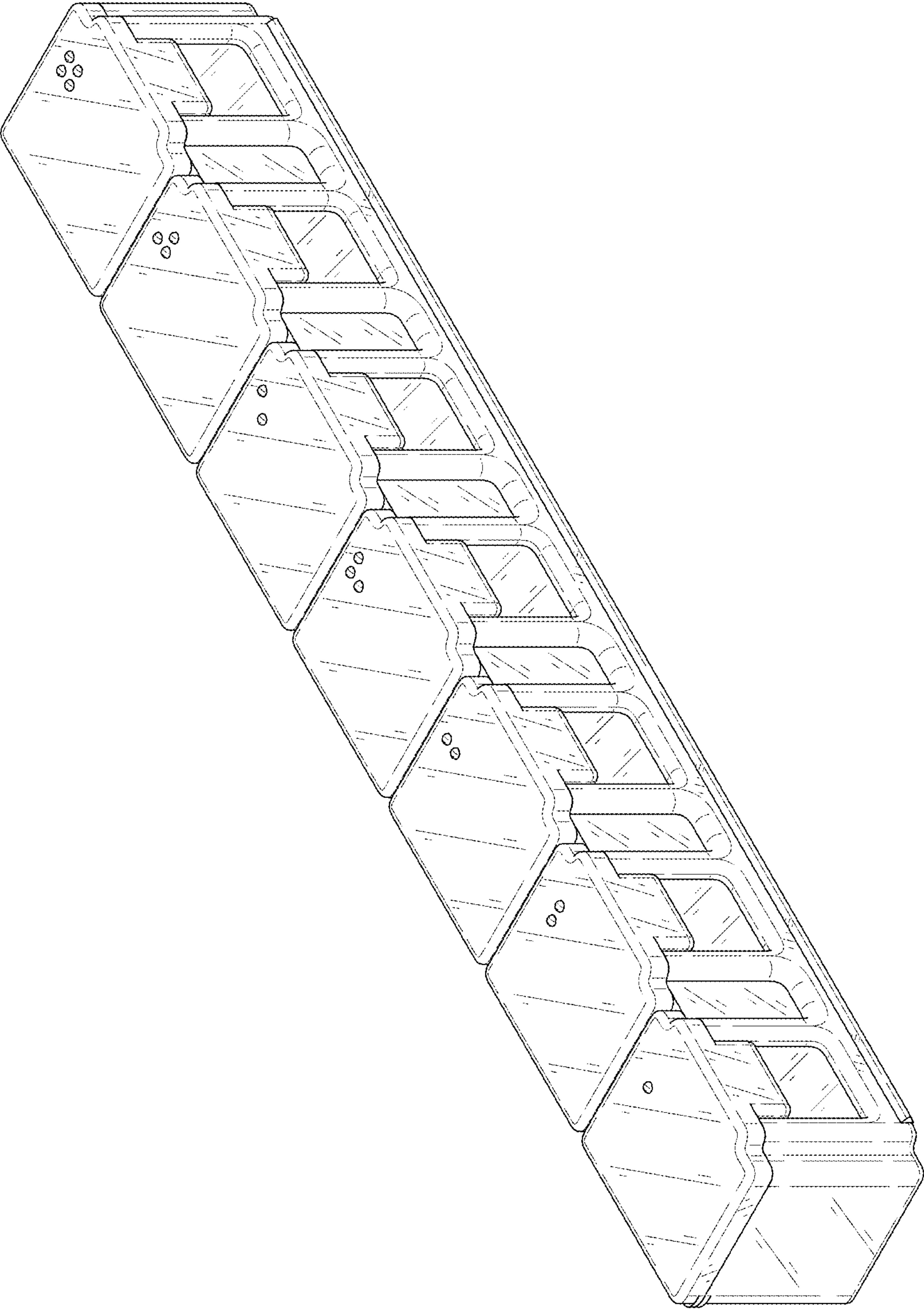


FIG. 1

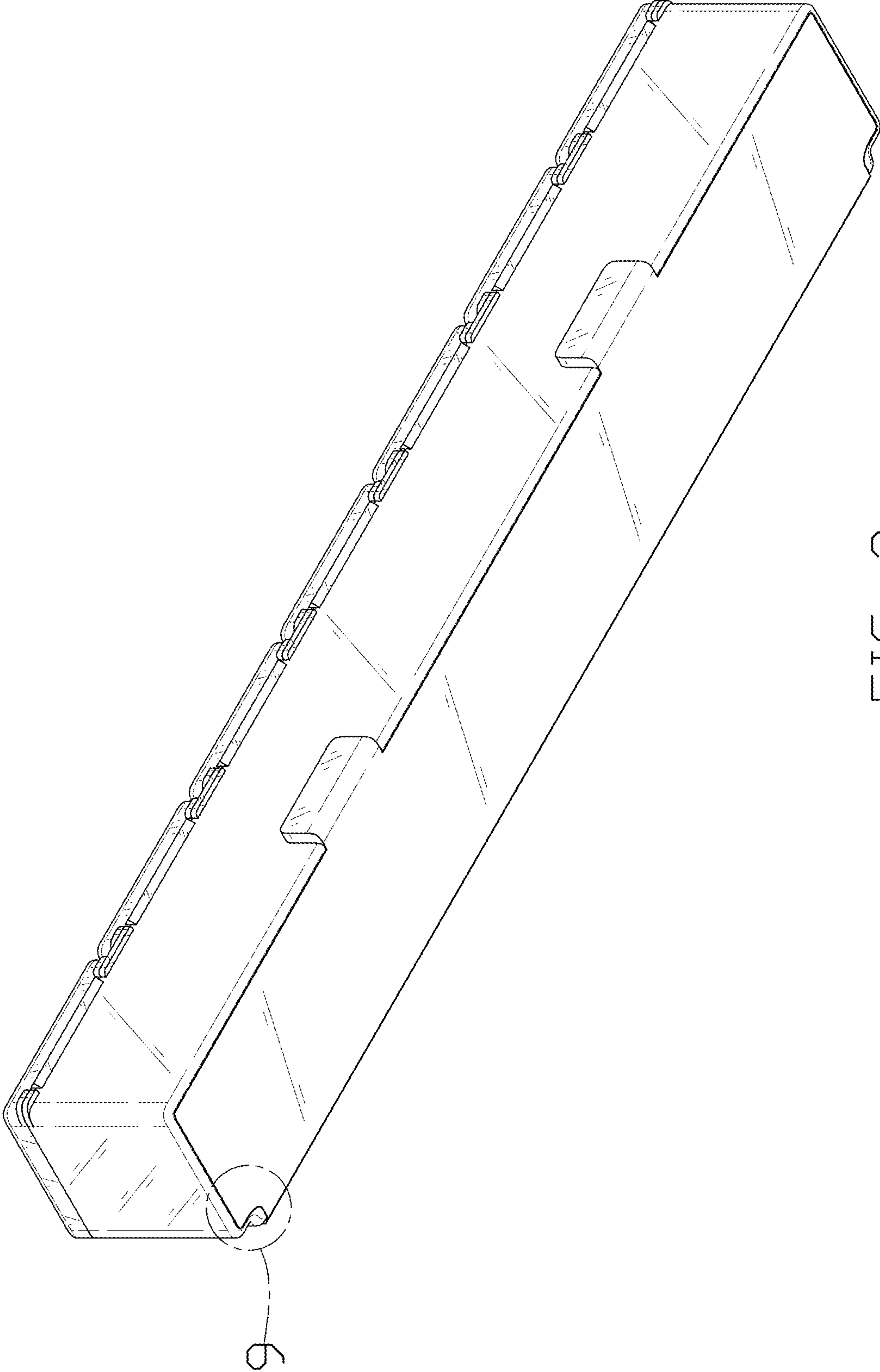


FIG. 2

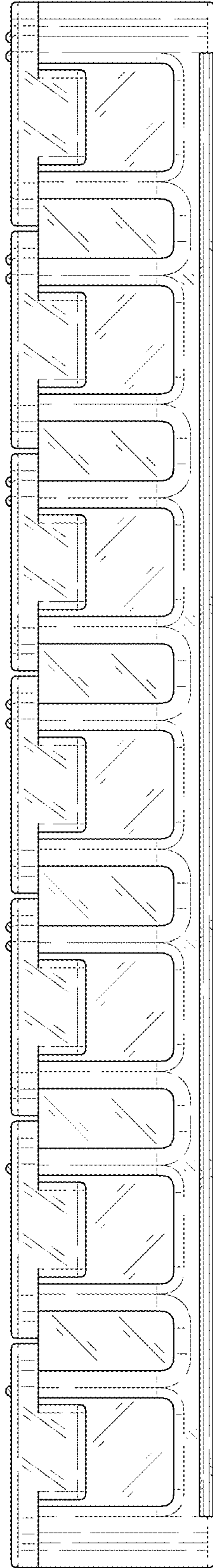


FIG. 3

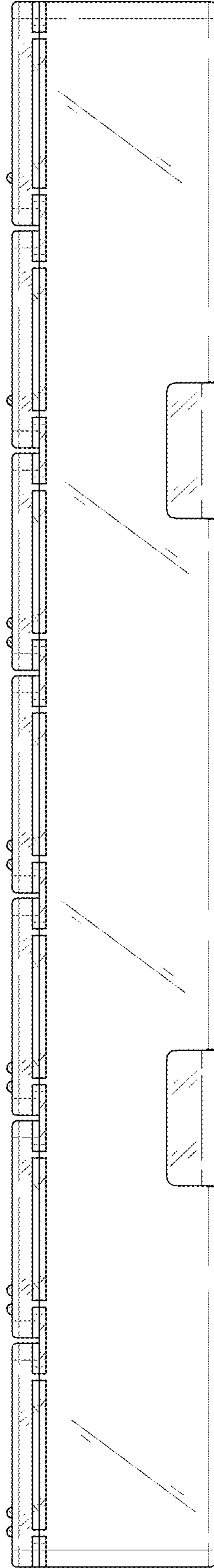


FIG. 4

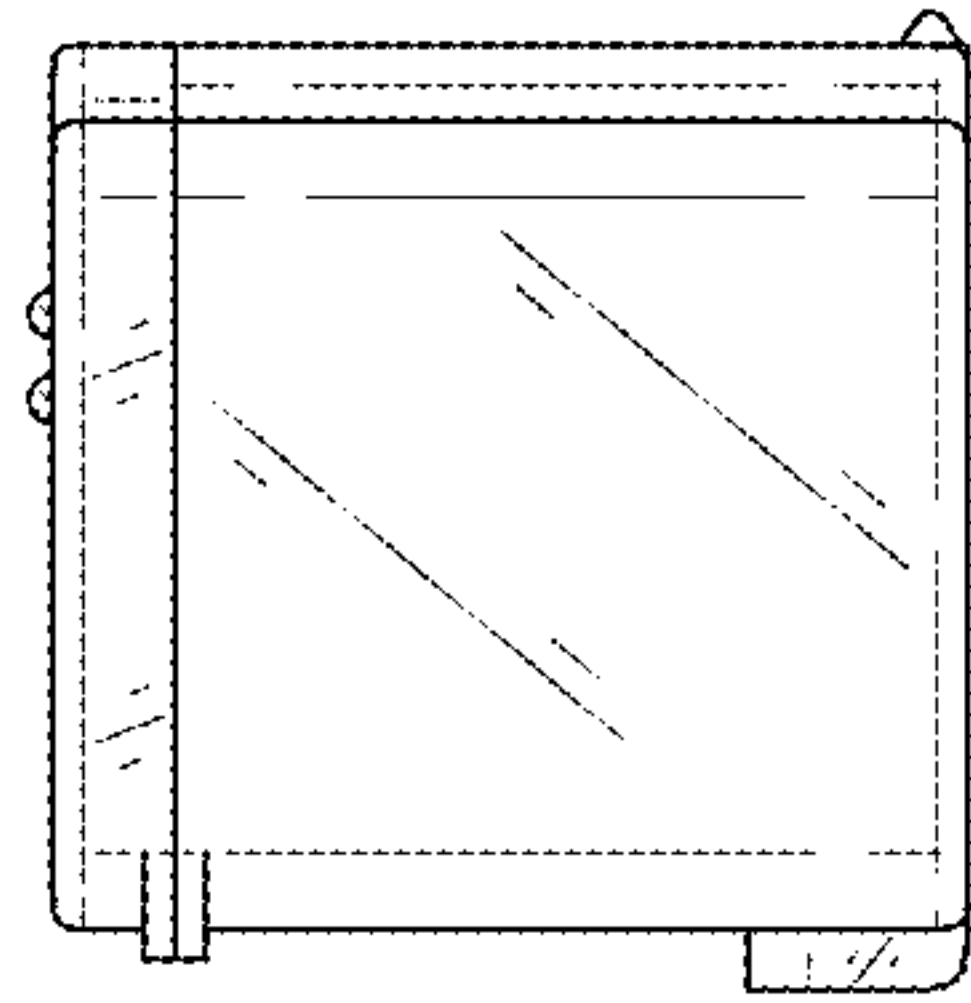


FIG. 5

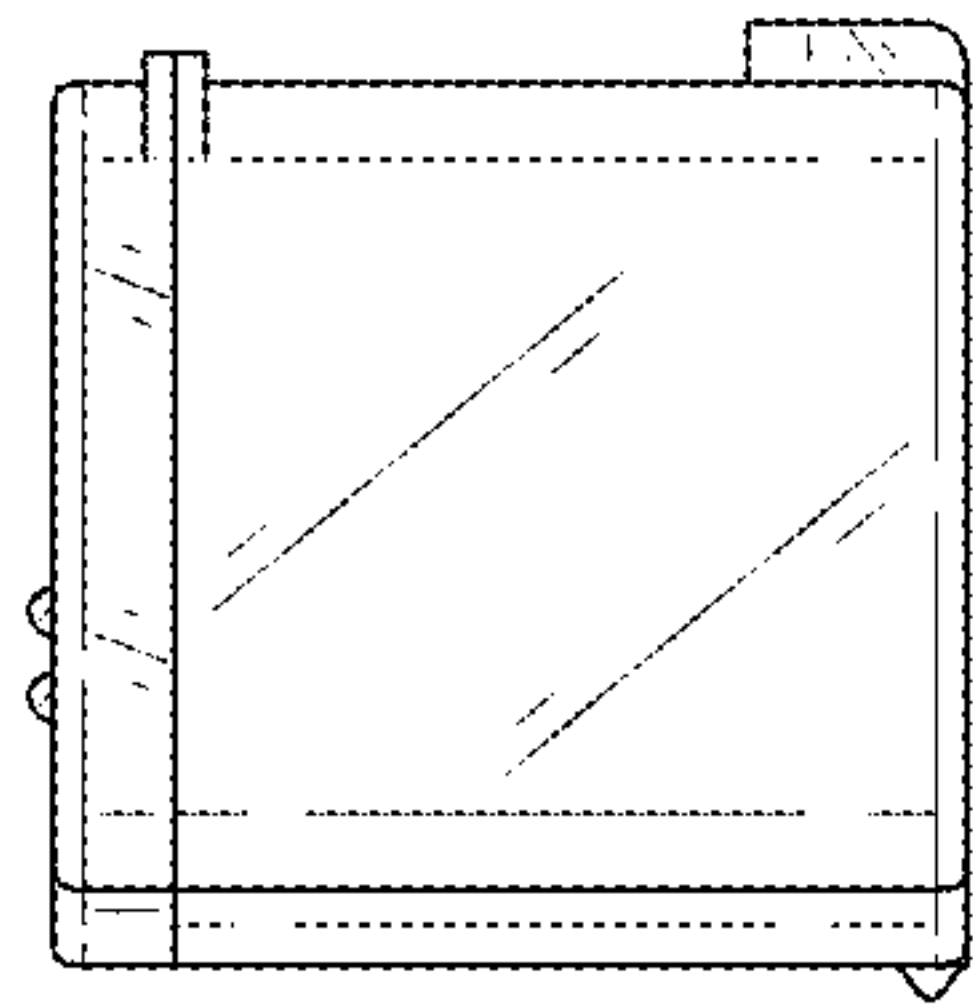


FIG. 6

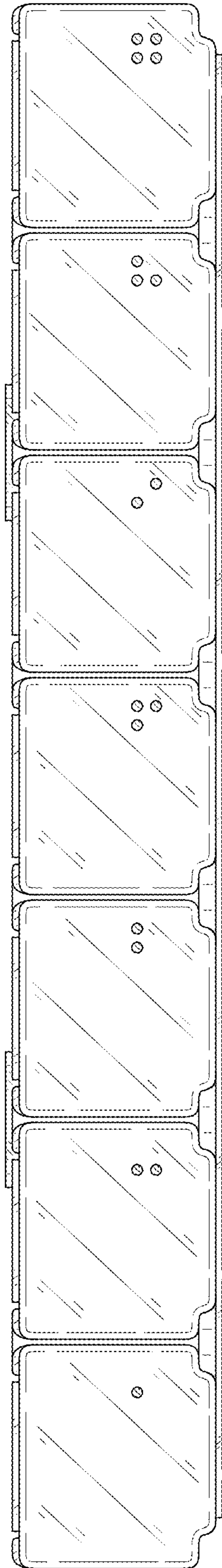


FIG. 7

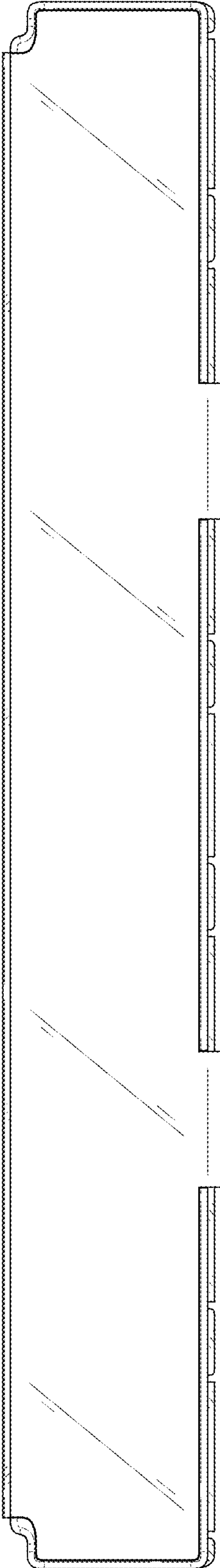


FIG. 8

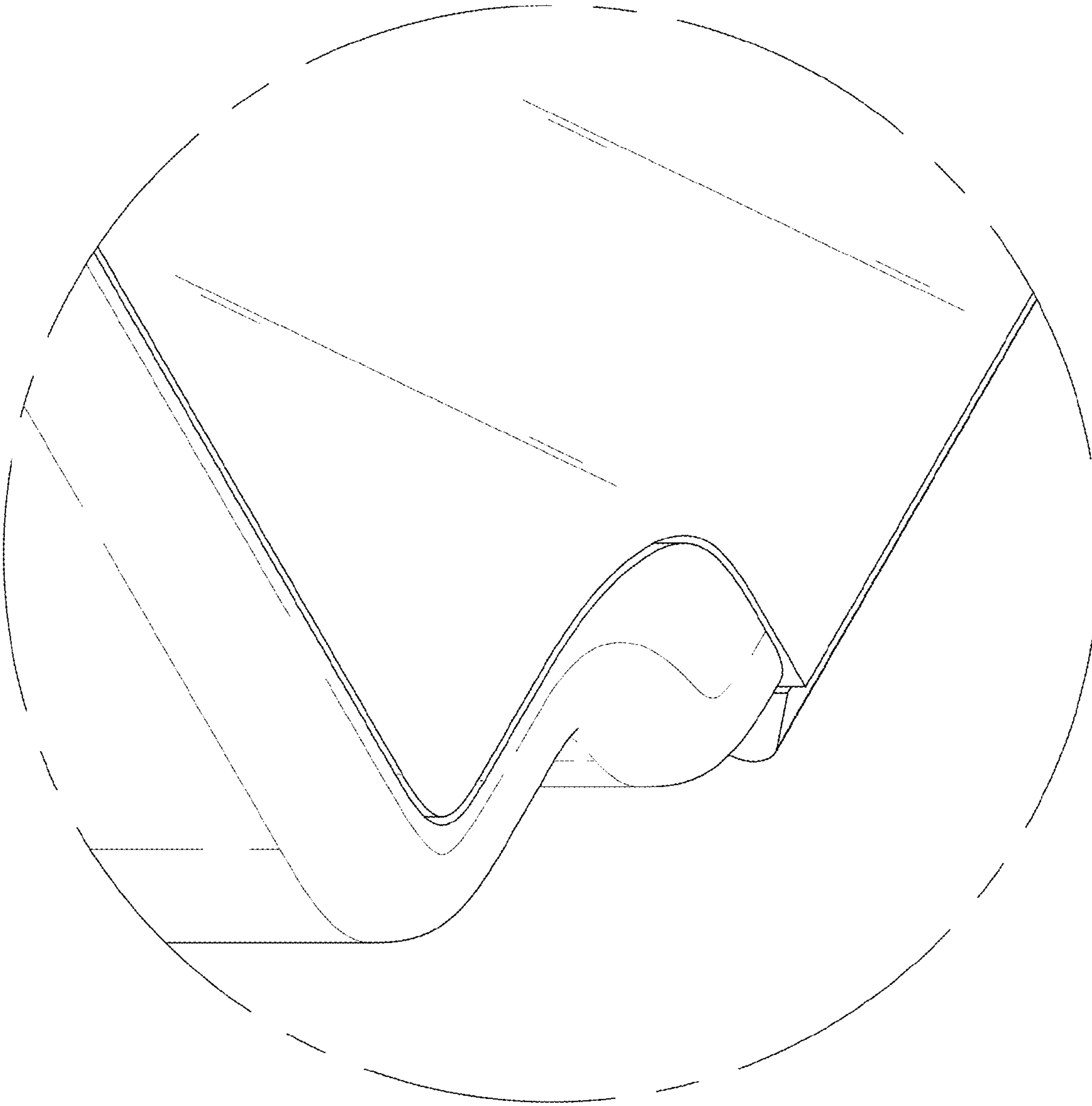


FIG. 9

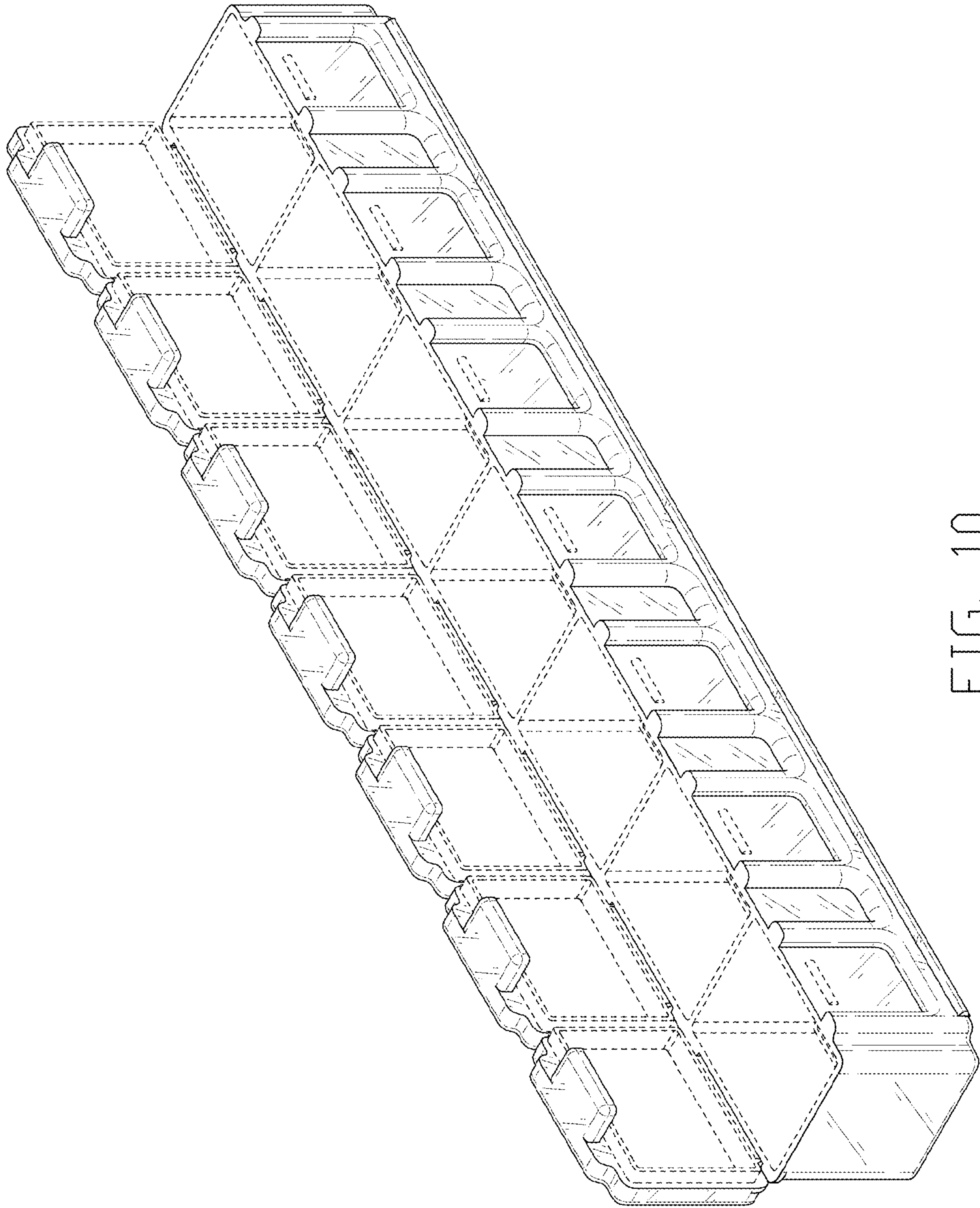


FIG. 10