



US00D962630S

(12) **United States Design Patent** (10) **Patent No.:** **US D962,630 S**  
**Conlon** (45) **Date of Patent:** **\*\* Sep. 6, 2022**

(54) **BEACH UMBRELLA STABILIZER**  
(71) Applicant: **Derek Conlon**, Bronx, NY (US)  
(72) Inventor: **Derek Conlon**, Bronx, NY (US)  
(\*\*) Term: **15 Years**

2004/0129184 A1 7/2004 Kraker  
2006/0016950 A1\* 1/2006 Bright ..... E04H 12/2246  
248/346.03  
2009/0114795 A1 5/2009 Giannetto  
2012/0126089 A1\* 5/2012 Silvestri ..... E04H 12/2269  
248/530

(Continued)

(21) Appl. No.: **29/762,273**  
(22) Filed: **Dec. 15, 2020**  
(51) **LOC (13) Cl.** ..... **03-03**  
(52) **U.S. Cl.**  
USPC ..... **D3/10**; D8/387; D3/17  
(58) **Field of Classification Search**  
USPC ..... D3/5-17; D8/387, 388; D11/181, 182;  
D15/139  
CPC ..... A47B 37/04; A45B 25/00; E04H 12/2246  
See application file for complete search history.

FOREIGN PATENT DOCUMENTS

CN 306936432 \* 11/2021 ..... 3/3  
EM 006901146-0001 \* 10/2019

OTHER PUBLICATIONS

Wayfair.com, Site visited Apr. 28, 2022, Brabantia Ground Spike, Oldest review May 25, 2014, <https://www.wayfair.com/storage-organization/pdp/brabantia-ground-spike-34-outdoor-umbrella-clothesline-zp10057.html?piid=> (Year: 2014).\*

(Continued)

(56) **References Cited**

U.S. PATENT DOCUMENTS

3,342,444 A 9/1967 Nelson  
5,143,108 A 9/1992 Kenney  
D378,052 S \* 2/1997 Perreault ..... D8/387  
5,636,944 A \* 6/1997 Buttimore ..... E01F 9/685  
52/298  
5,713,382 A \* 2/1998 Midcap ..... A61H 3/0288  
D3/17  
6,446,649 B1 \* 9/2002 Bigford ..... E04H 12/2246  
135/25.1  
6,889,953 B2 5/2005 Harbaugh  
D662,442 S \* 6/2012 Ettorre ..... D11/182  
8,783,274 B1 7/2014 Supino  
D735,468 S \* 8/2015 Goldszer ..... D3/17  
9,540,840 B2 1/2017 Ma  
D854,920 S \* 7/2019 Fisher ..... D8/387  
10,344,496 B1 7/2019 Cefalo  
D859,808 S \* 9/2019 Goldszer ..... D3/10  
D877,486 S \* 3/2020 Chen ..... D3/10  
2002/0036008 A1 3/2002 Hickam et al.  
2004/0069922 A1 4/2004 Wu

*Primary Examiner* — Brett Miller  
*Assistant Examiner* — Jessica M Gebhart  
(74) *Attorney, Agent, or Firm* — Goldstein Law Offices, P.C.

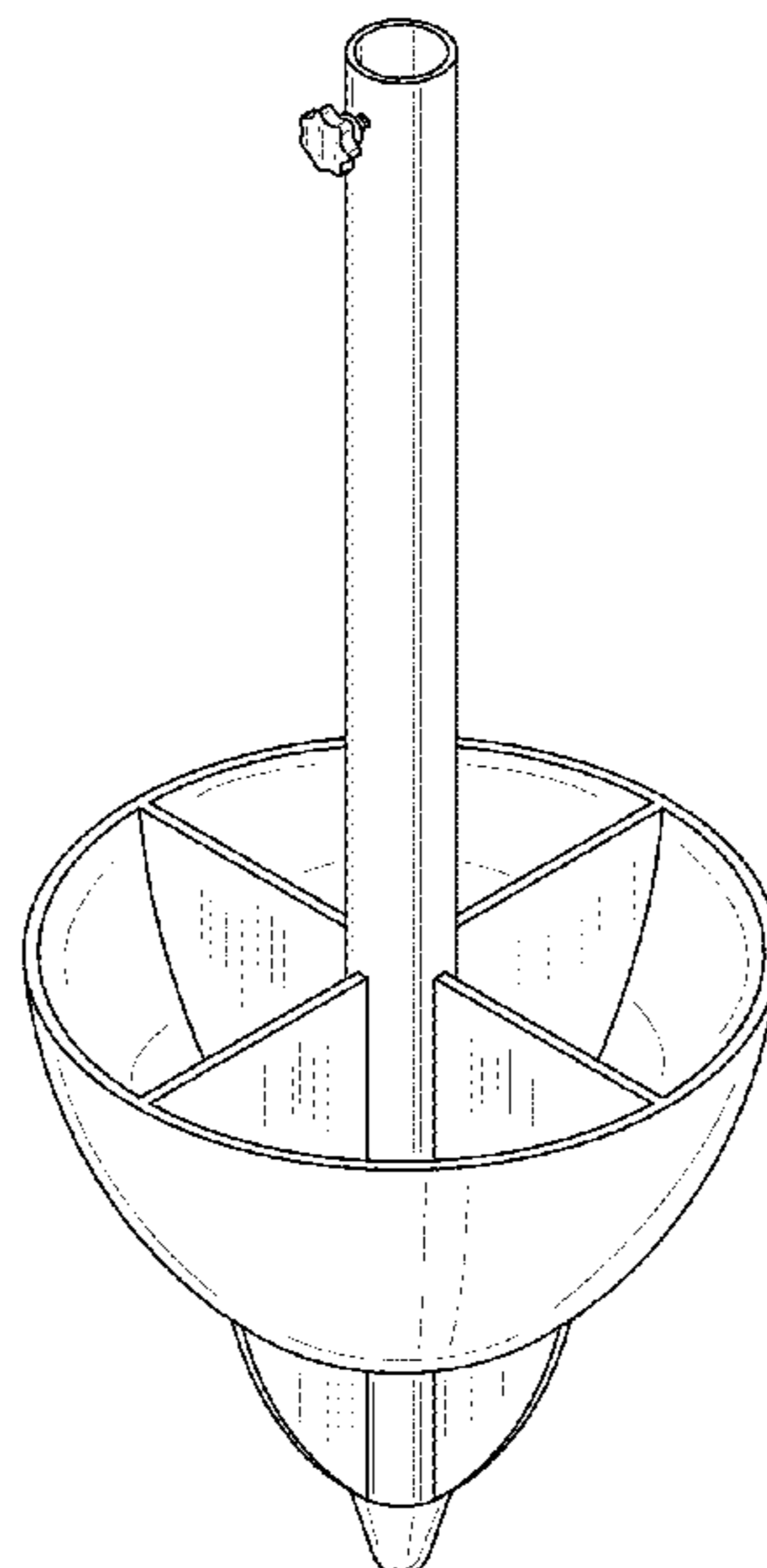
(57) **CLAIM**

The ornamental design for a beach umbrella stabilizer, as shown and described.

**DESCRIPTION**

FIG. 1 is a perspective view of a beach umbrella stabilizer. FIG. 2 is a front elevational view of the beach umbrella stabilizer. FIG. 3 is a rear elevational view thereof. FIG. 4 is a top plan view thereof. FIG. 5 is a bottom plan view thereof. FIG. 6 is a left side elevational view thereof; and, FIG. 7 is a right side elevational view thereof.

**1 Claim, 4 Drawing Sheets**



(56)

**References Cited**

U.S. PATENT DOCUMENTS

2015/0013734 A1\* 1/2015 Krystopher ..... E04H 12/2246  
135/16  
2017/0295925 A1 10/2017 Taylor

OTHER PUBLICATIONS

Amazon.com, site visited Apr. 28, 2022, Seachoice Mushroom Anchor, First available Jan. 18, 2007, <https://www.amazon.com/Seachoice-Mushroom-Anchor-Vinyl-Coated-Multiple/dp/B000HJDBJG?th=1> (Year: 2007).\*

Amazon.com, Site visited Apr. 28, 2022, George J. Marshall, Inc. Plastic Beach Umbrella Anchor, First available Jan. 1, 2011, <https://www.amazon.com/George-J-Marshall-Inc-Umbrella/dp/B00BU98UKM> (Year: 2011).\*

\* cited by examiner

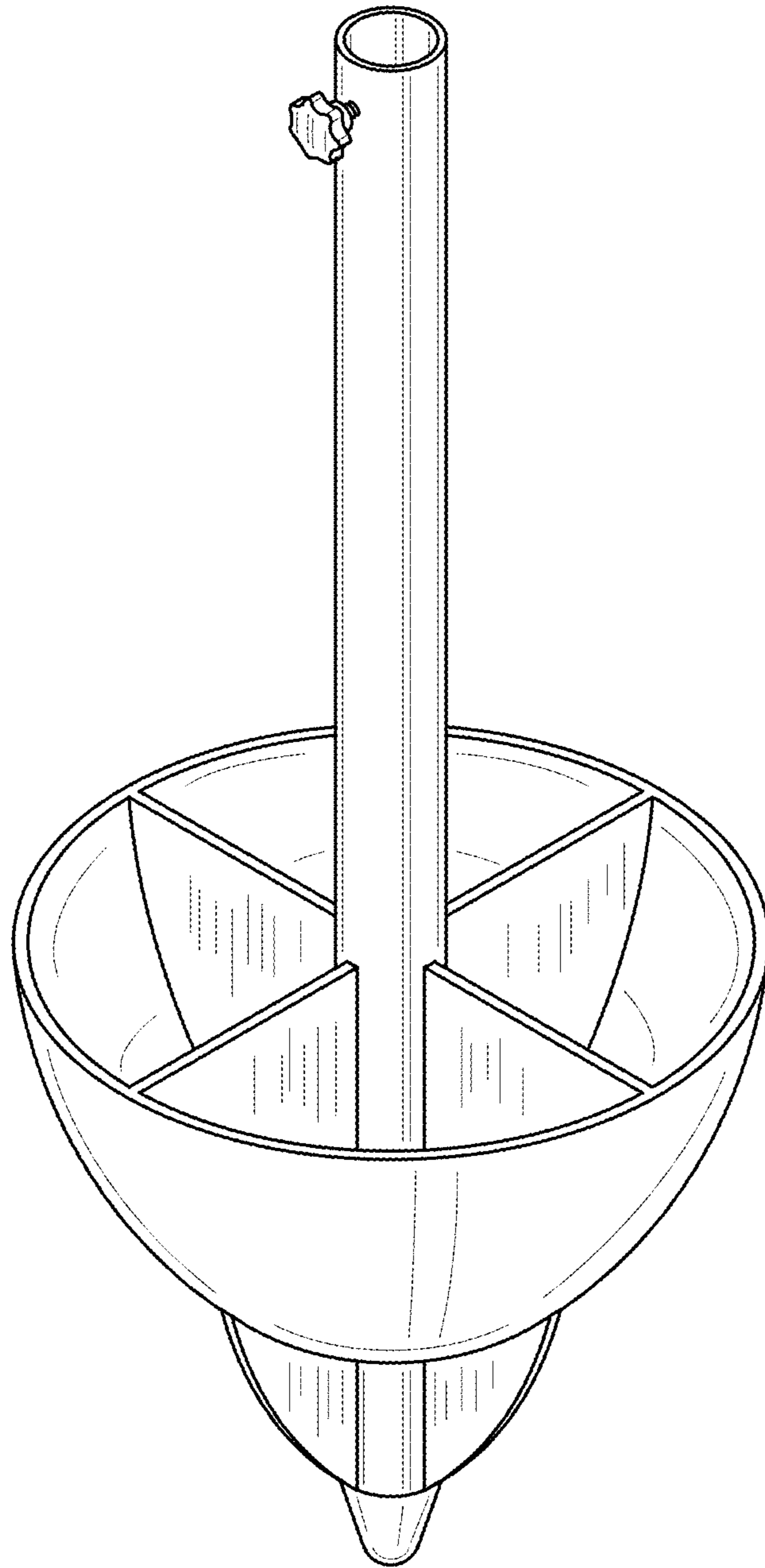


FIG. 1

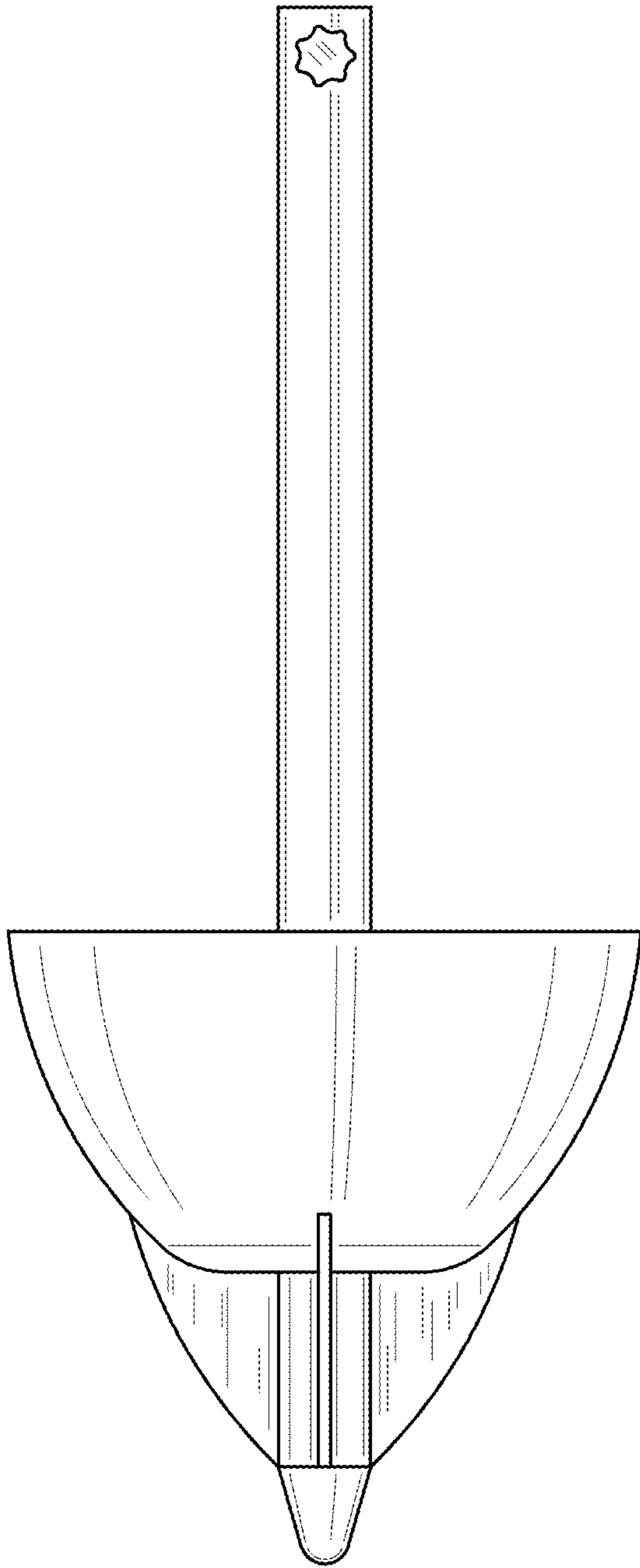


FIG. 2

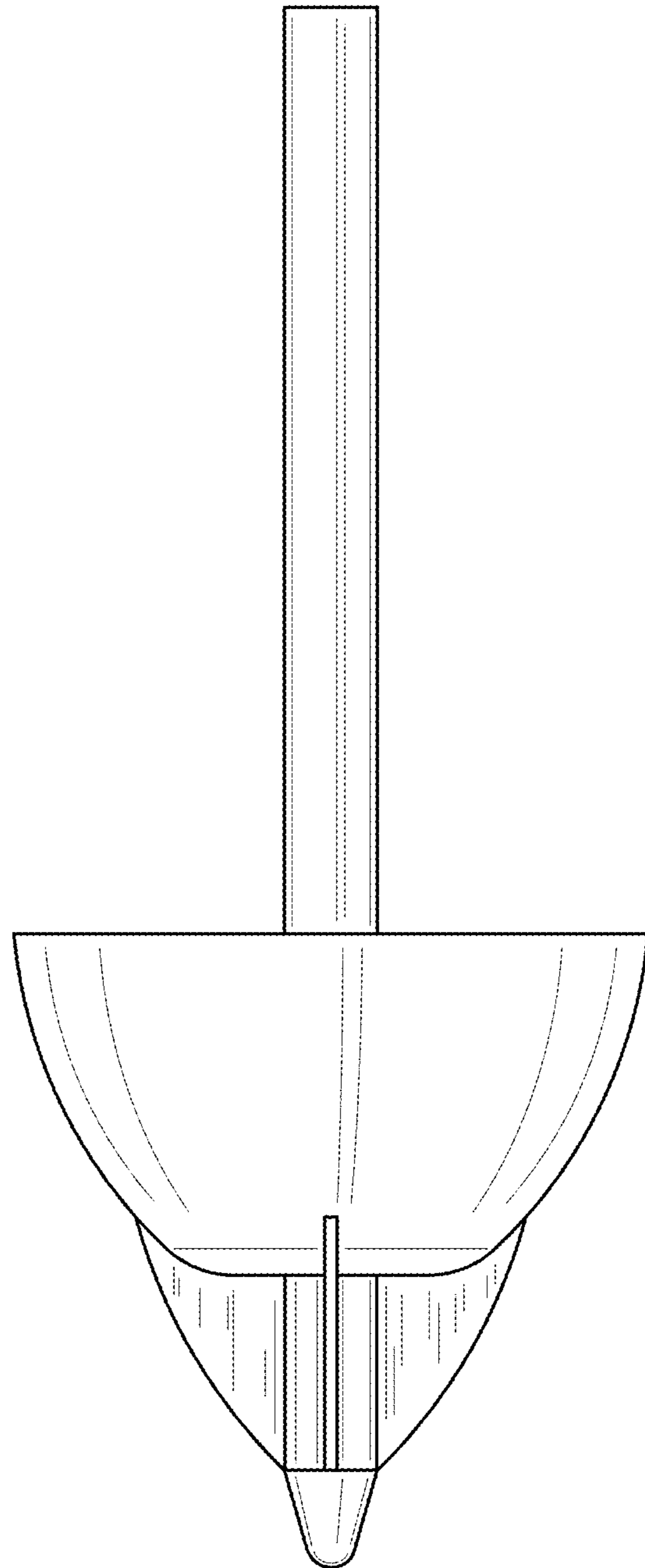


FIG. 3

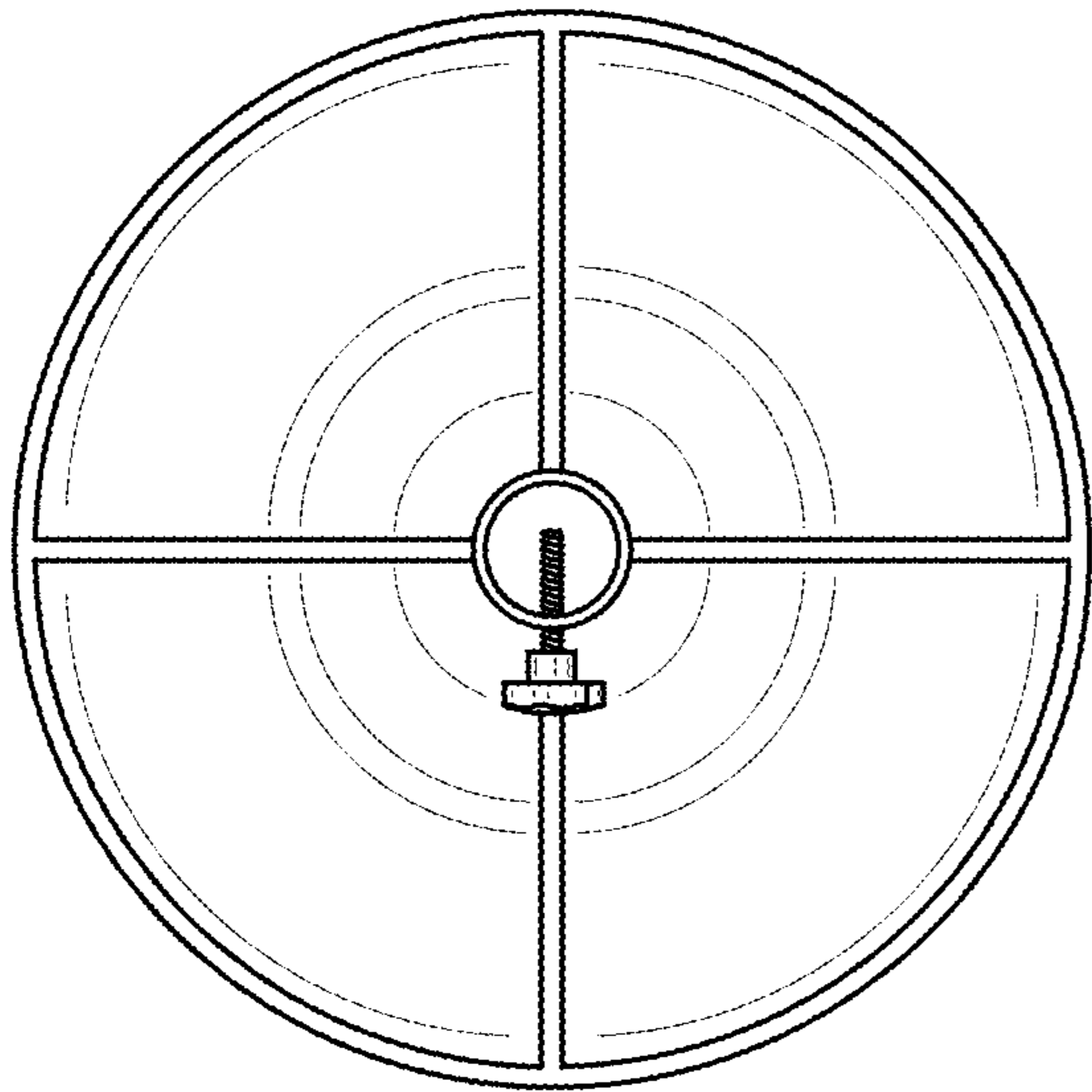


FIG. 4

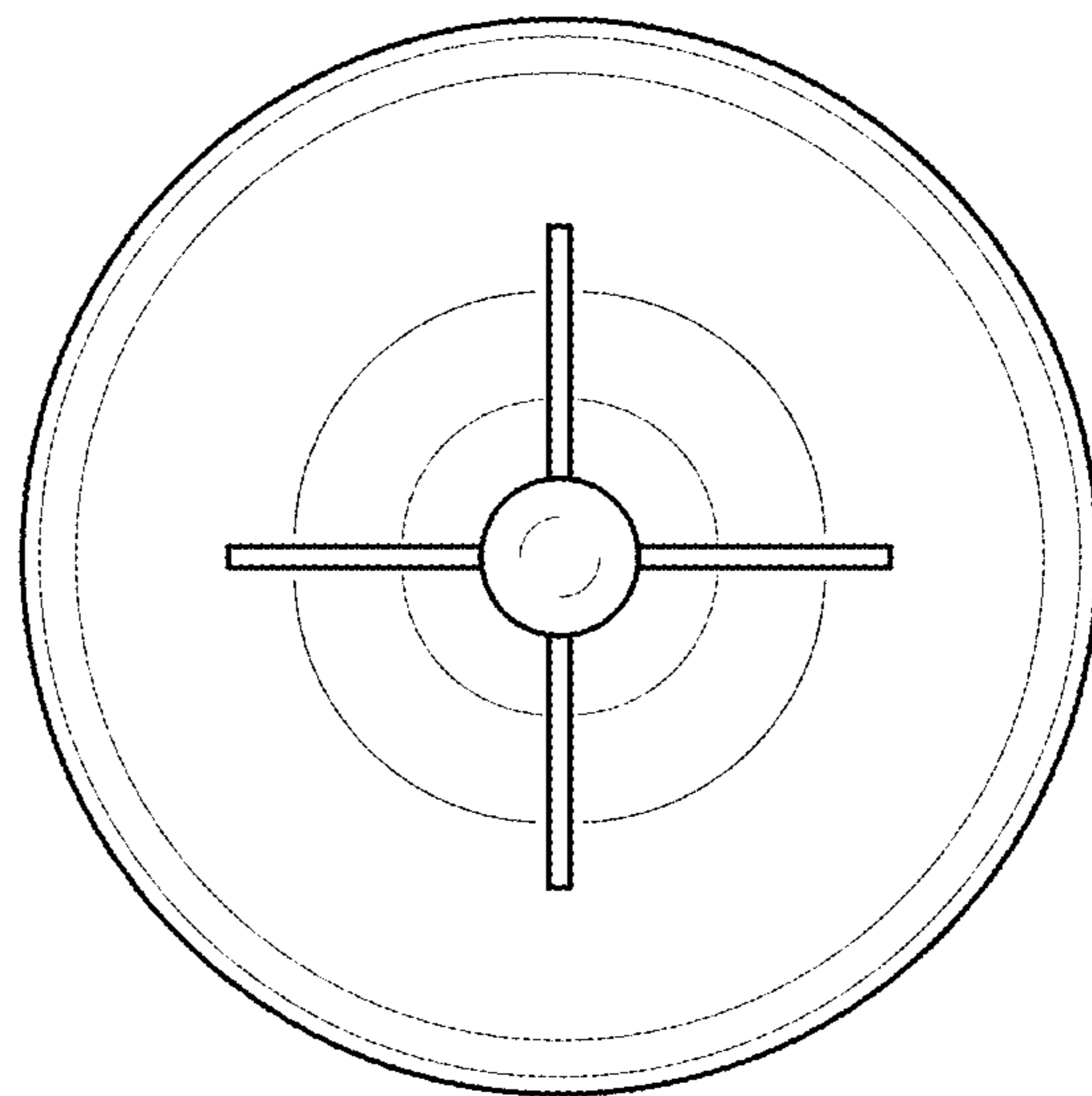


FIG. 5

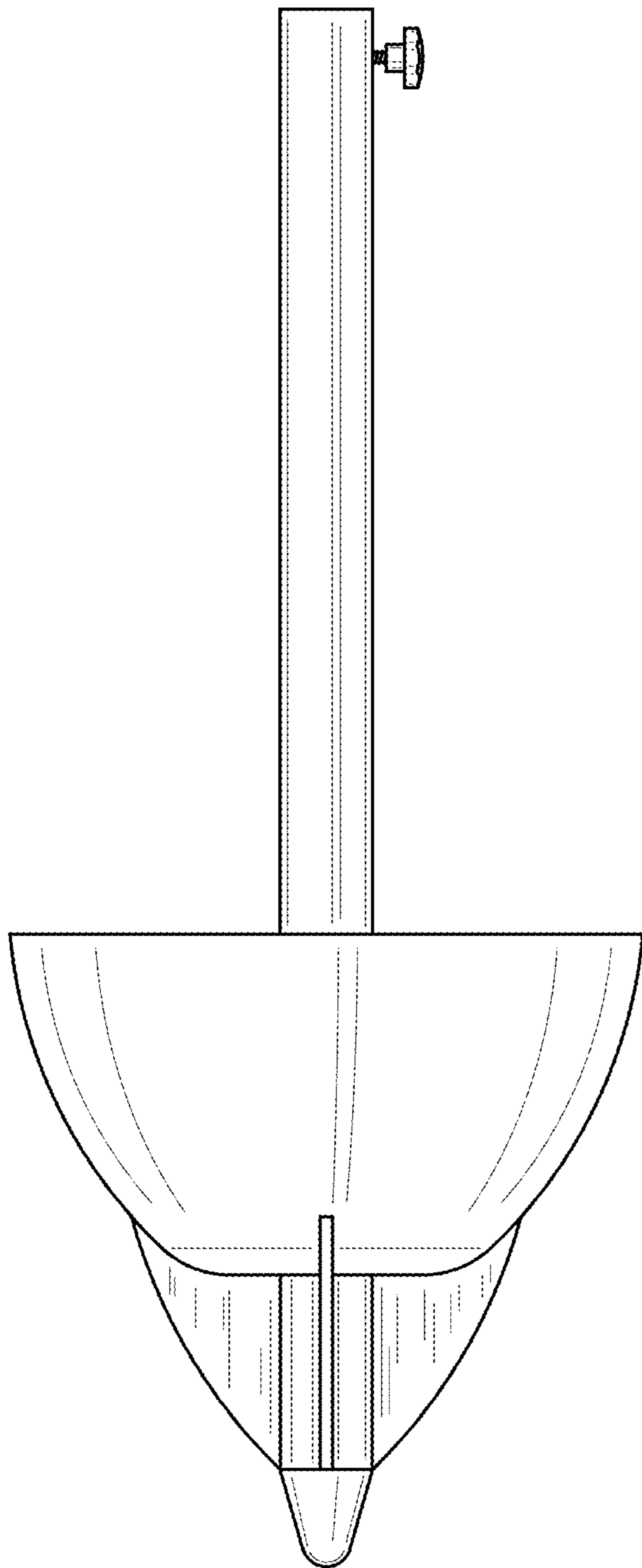


FIG. 6

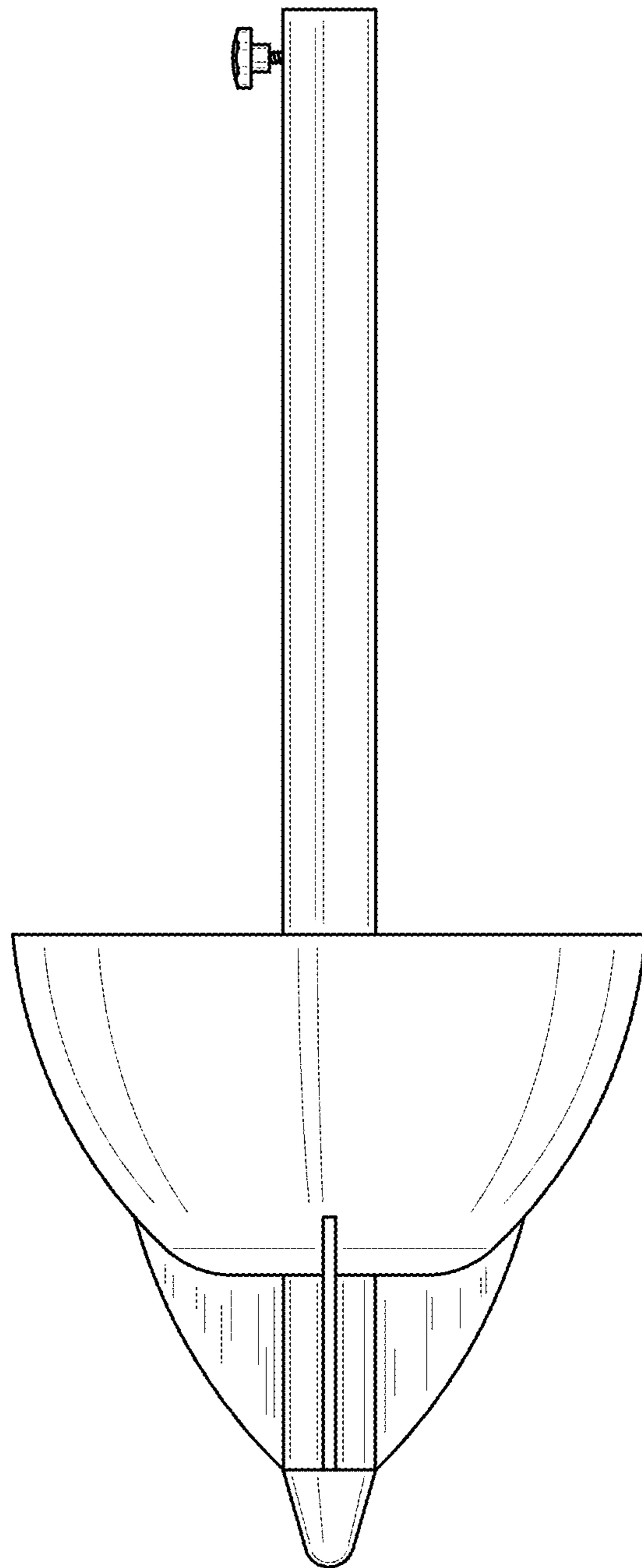


FIG. 7