



US00D962629S

(12) **United States Design Patent**
Fang

(10) **Patent No.:** **US D962,629 S**

(45) **Date of Patent:** **** Sep. 6, 2022**

(54) **CRUTCH HANDLE**

(71) Applicant: **Xicheng Fang**, Zhejiang (CN)

(72) Inventor: **Xicheng Fang**, Zhejiang (CN)

(**) Term: **15 Years**

(21) Appl. No.: **29/840,006**

(22) Filed: **May 25, 2022**

(51) **LOC (13) Cl.** **03-03**

(52) **U.S. Cl.**

USPC **D3/7; D3/12**

(58) **Field of Classification Search**

USPC D3/5, 6, 7, 8, 9, 10, 11, 12, 13, 14, 15,
D3/16, 17

CPC A45B 9/00; A45B 9/04; A45B 9/02; A61H
3/02

See application file for complete search history.

(56) **References Cited**

U.S. PATENT DOCUMENTS

- D290,784 S * 7/1987 Moshiri D3/7
- 5,755,245 A * 5/1998 Van Helvoort A61H 3/0244
135/65
- D515,802 S * 2/2006 Grierson D3/7
- D516,300 S * 3/2006 Peterson D3/15
- D693,565 S * 11/2013 Chan D3/7
- D728,215 S 5/2015 Harriman et al.
- 10,631,600 B2 * 4/2020 Moyo A45B 3/02

FOREIGN PATENT DOCUMENTS

- CN 303472690 * 12/2015
- TW 201950-0001 * 1/2020

OTHER PUBLICATIONS

Amazon.com, Site visited Jul. 19, 2022, HurryCane, first available Aug. 9, 2012, <https://www.amazon.com/HurryCane-Freedom-Folding-Handle-Original/dp/B00E9ZFBII?s> (Year: 2012).*

Amazon.com, Site visited Jul. 19, 2022, Kinggear Cane, First available Nov. 1, 2021, <https://www.amazon.com/KingGear-Standing-Lightweight-Adjustable-Adults%EF%BC%88LED/dp/B09KRN35M> (Year: 2021).*

Amazon.com, Site visited Jul. 19, 2022, Switch Sticks Essentials Folding Cane, First available Dec. 1, 2021, <https://www.amazon.com/Switch-Sticks-Essentials-Folding-Black/dp/B07SFF3V9N> (Year: 2021).*

* cited by examiner

Primary Examiner — Brett Miller

Assistant Examiner — Jessica M Gebhart

(57) **CLAIM**

The ornamental design for a crutch handle, as shown and described.

DESCRIPTION

FIG. 1 is a front and top perspective view of a crutch handle, showing my new design;

FIG. 2 is a rear and bottom perspective view thereof;

FIG. 3 is a front elevation view thereof;

FIG. 4 is a rear elevation view thereof;

FIG. 5 is a left side elevation view thereof;

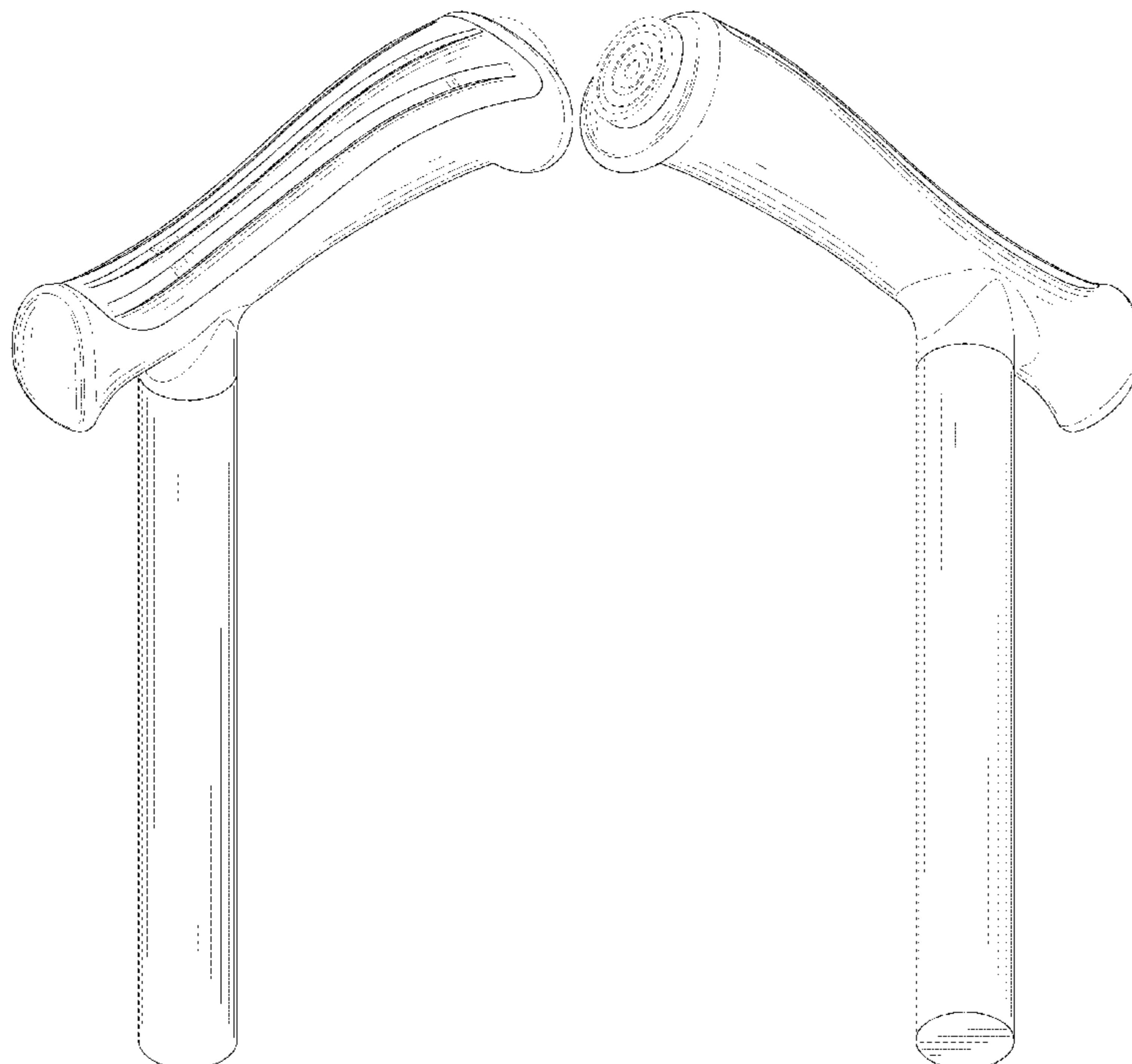
FIG. 6 is a right side elevation view thereof;

FIG. 7 is a top plan view thereof; and,

FIG. 8 is a bottom plan view thereof.

The broken lines in the figures illustrate portions of the crutch handle that form no part of the claimed design.

1 Claim, 8 Drawing Sheets



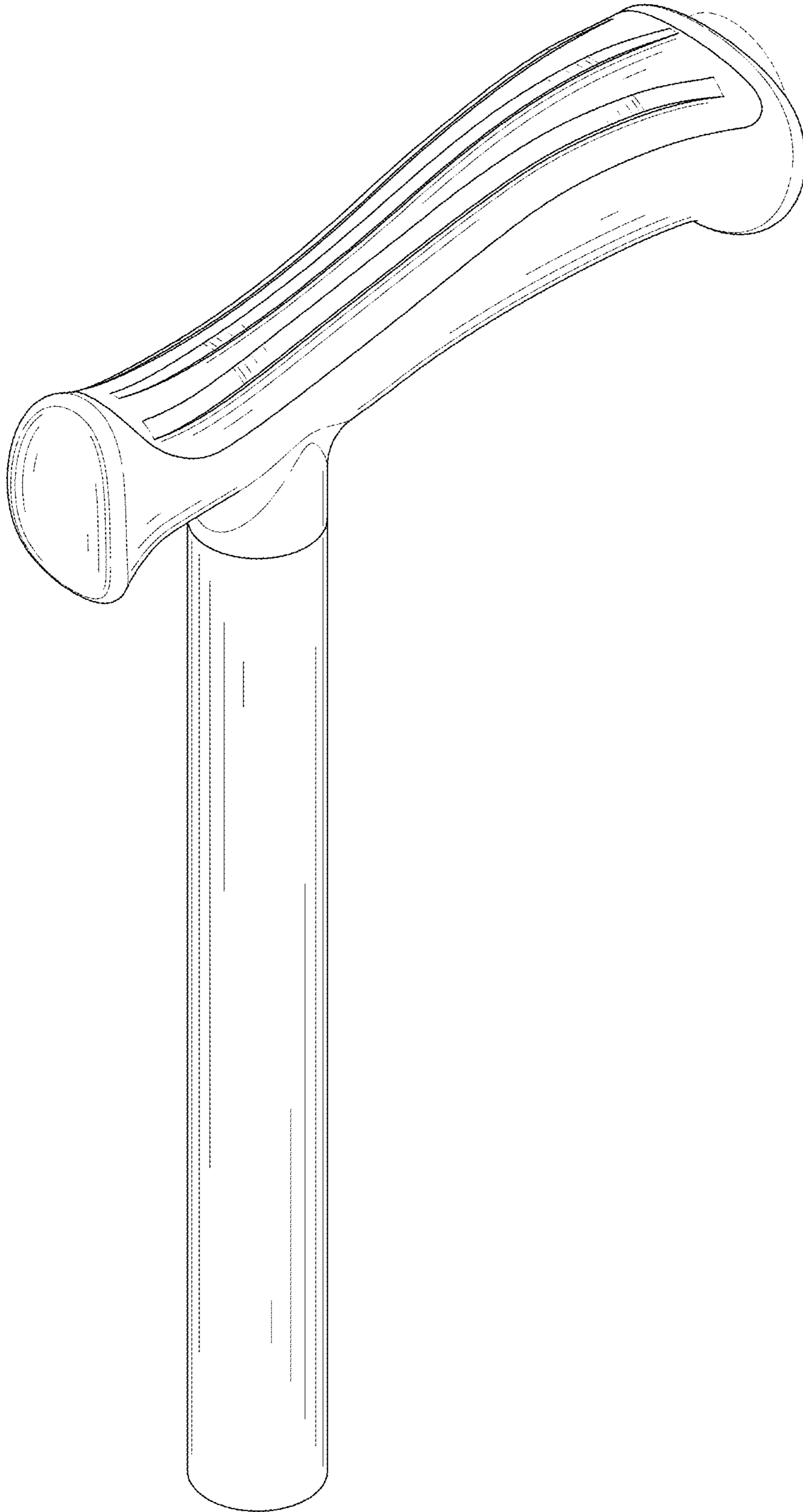


FIG. 1

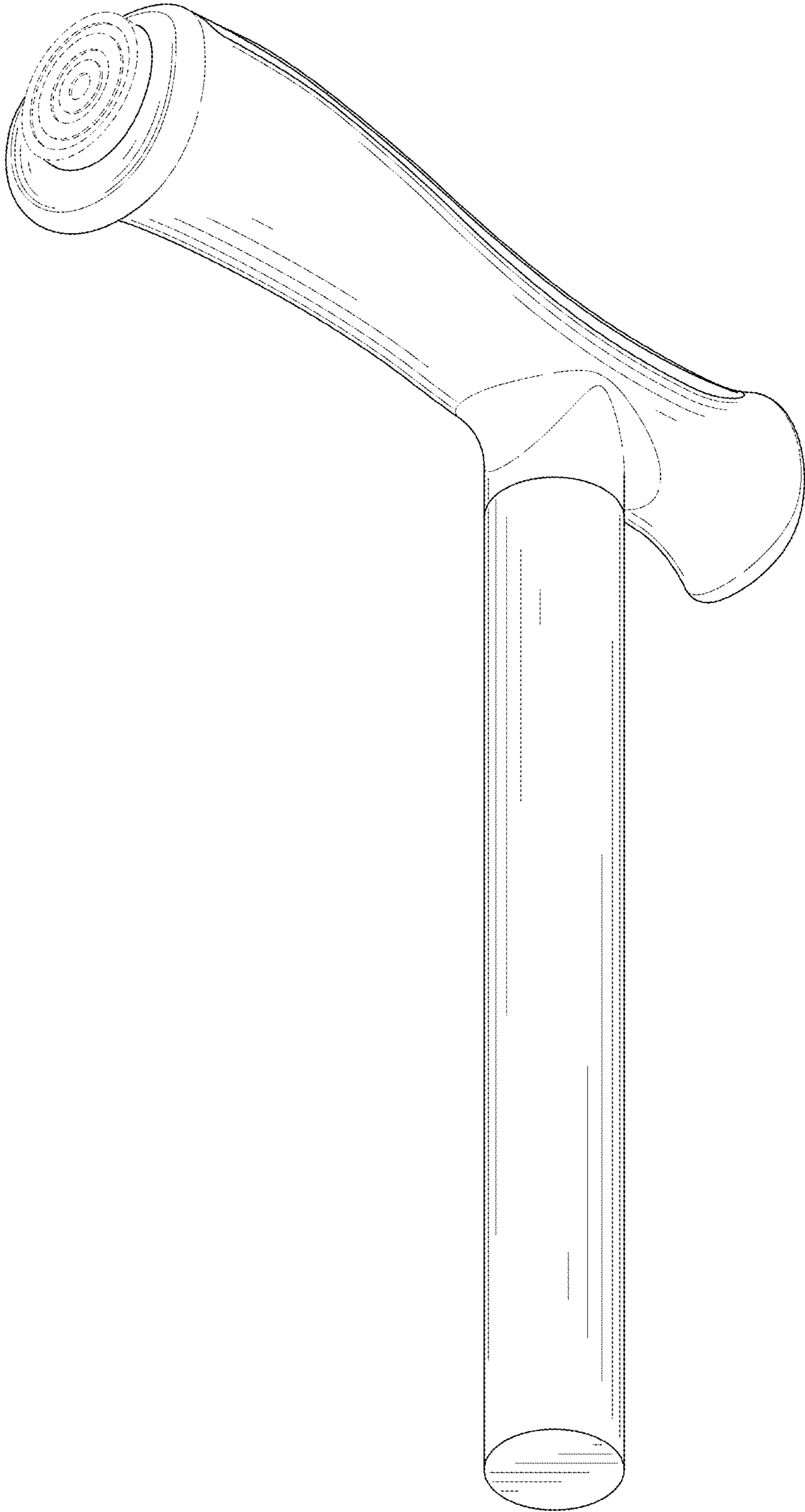


FIG. 2

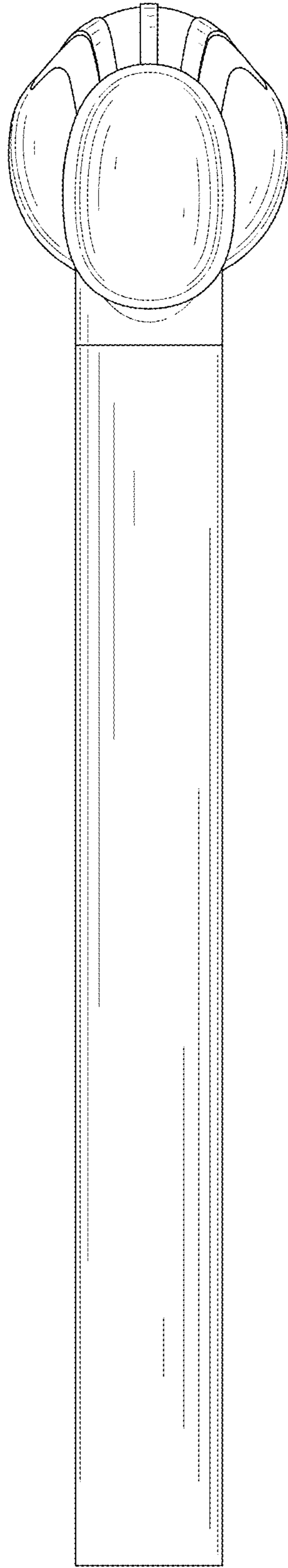


FIG. 3

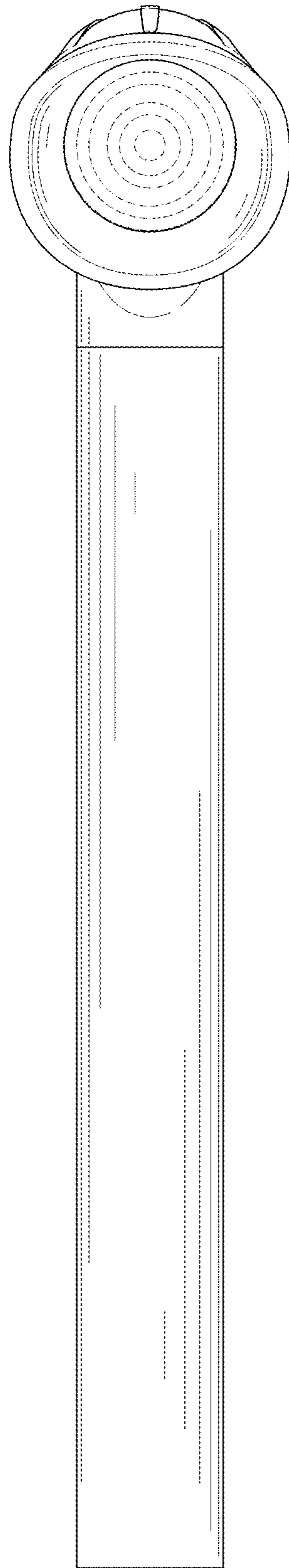


FIG. 4

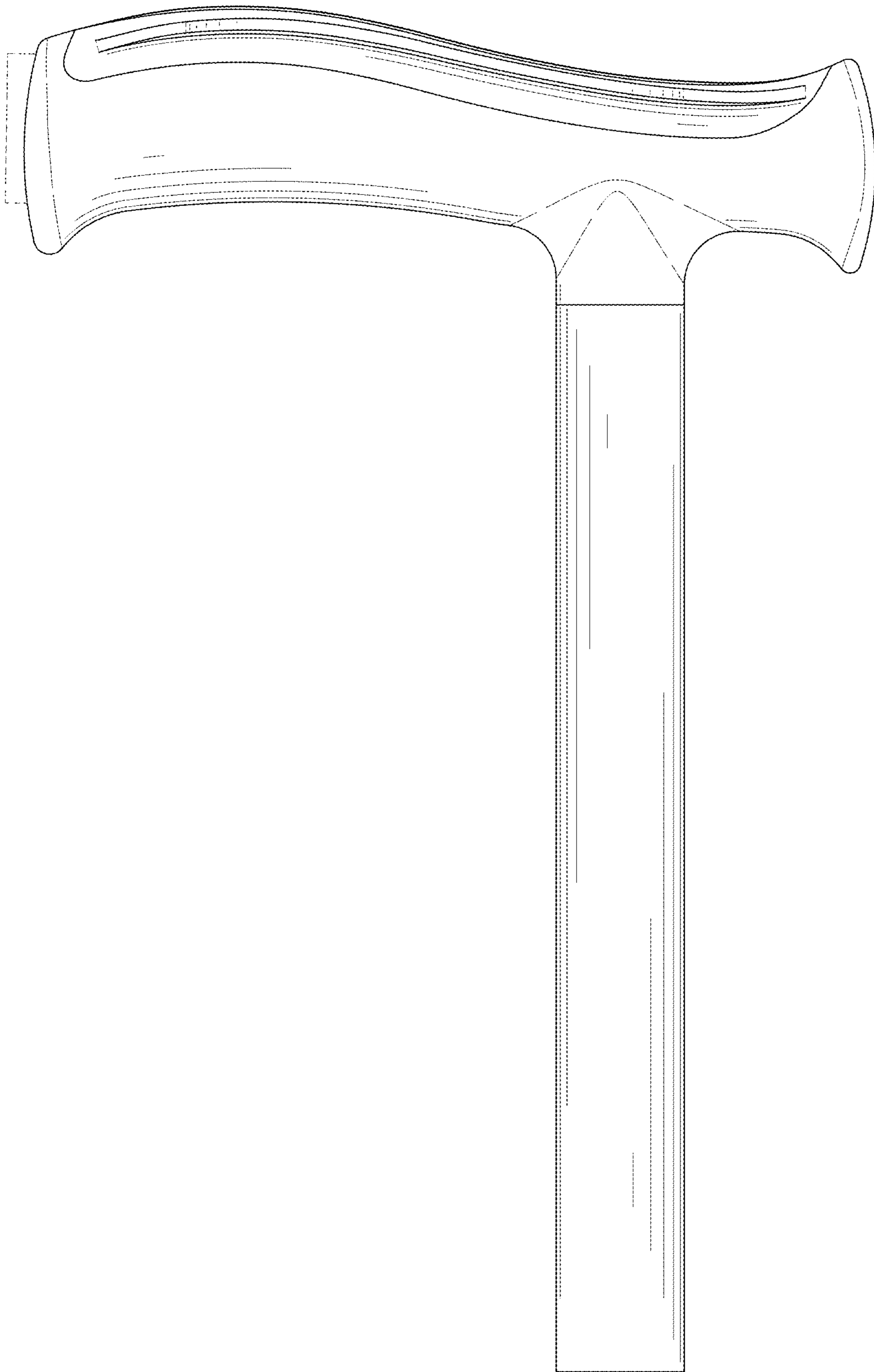


FIG. 5

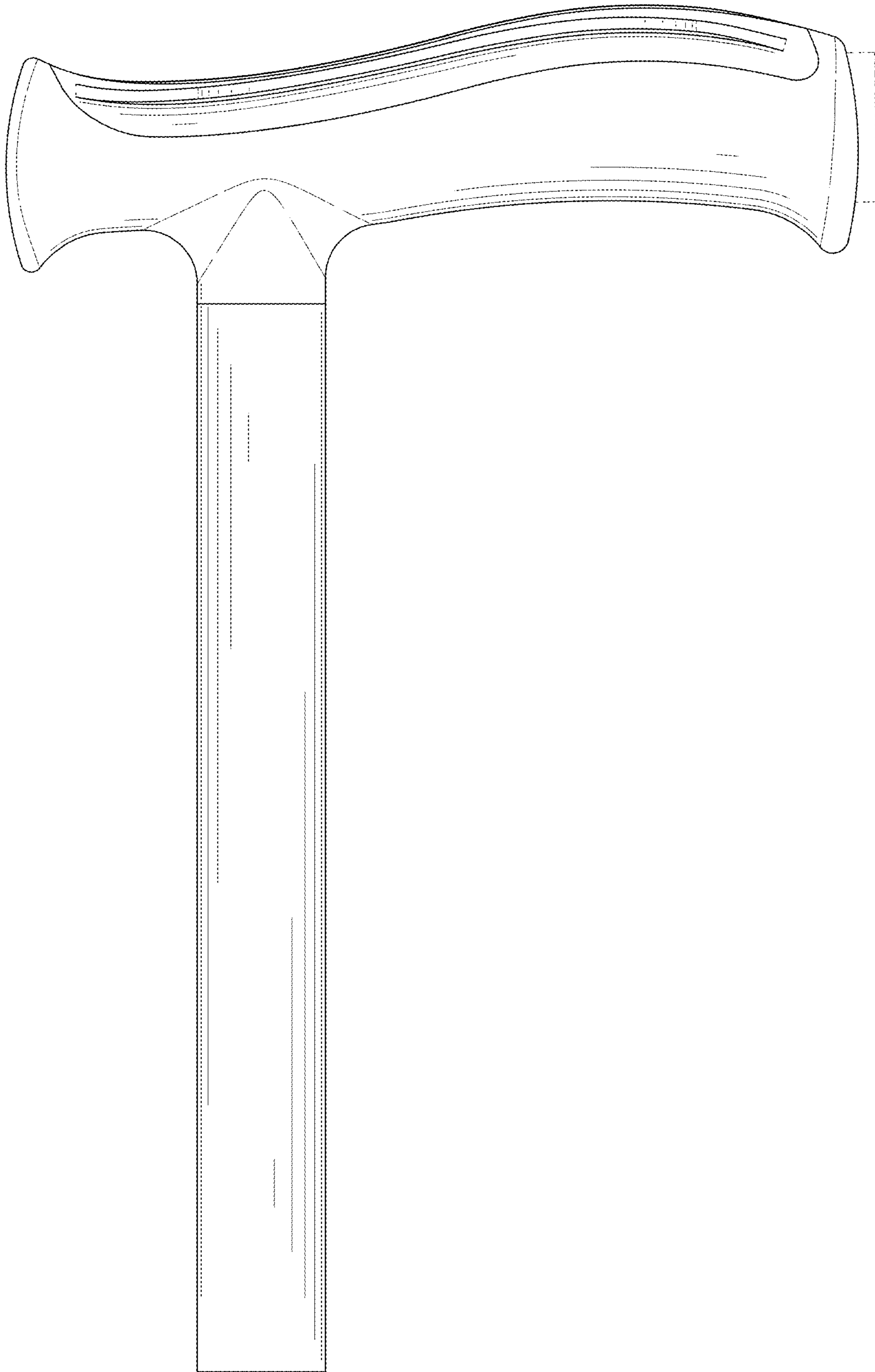


FIG. 6

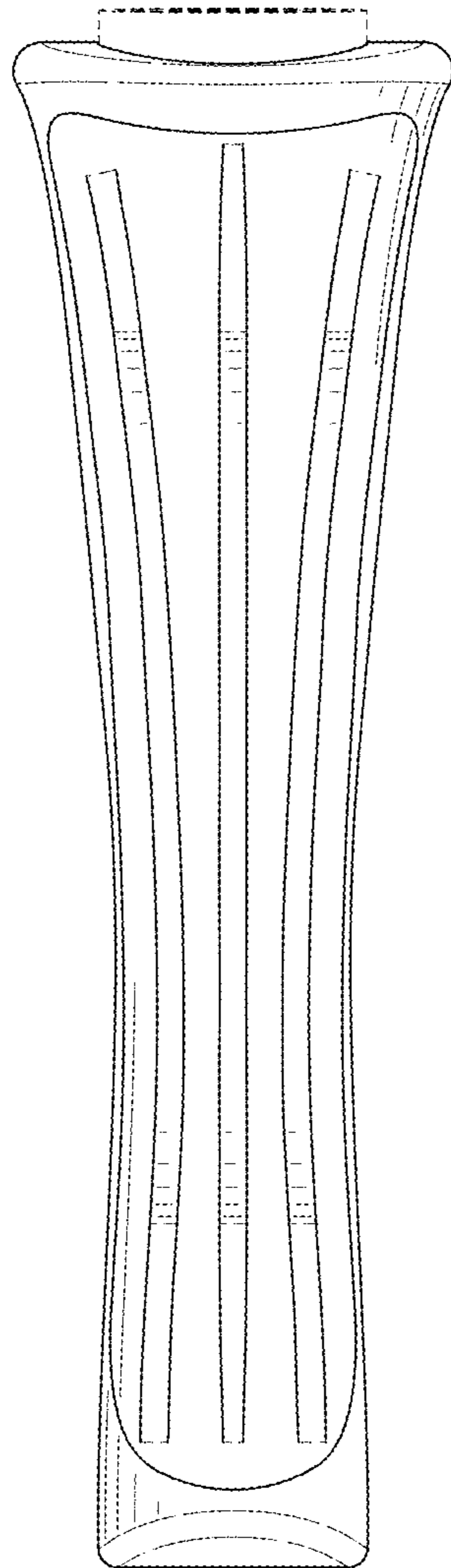


FIG. 7

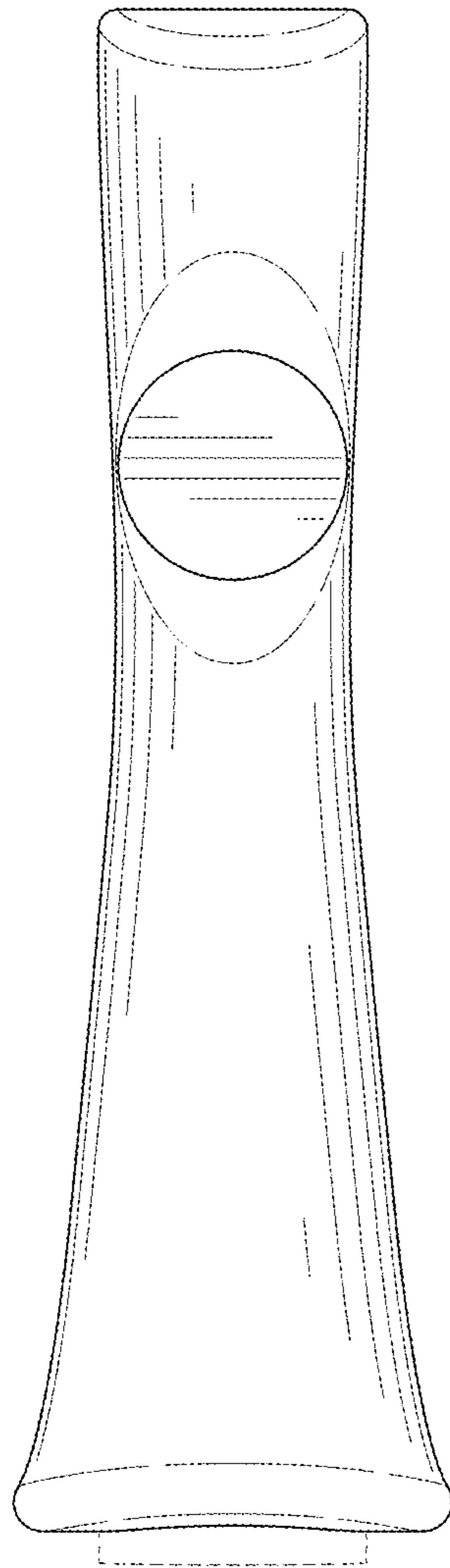


FIG. 8