

US00D962628S

(12) **United States Design Patent** (10) **Patent No.:** **US D962,628 S**
Mehl et al. (45) **Date of Patent:** **** Sep. 6, 2022**

(54) **BUG-LEG CANE**

FOREIGN PATENT DOCUMENTS

(71) Applicants: **Elizabeth Adele Mehl**, Portland, OR (US); **Finn Fergus Kinnell**, Portland, OR (US)

CN 302615963 * 10/2013
CN 305106457 * 4/2019

(72) Inventors: **Elizabeth Adele Mehl**, Portland, OR (US); **Finn Fergus Kinnell**, Portland, OR (US)

OTHER PUBLICATIONS

(73) Assignee: **Stone Table Mobility LLC**, Portland, OR (US)

Amazon.com, Site visited Apr. 18, 2022, BigAlex Folding Walking Cane, First available Apr. 28, 2018, <https://www.amazon.com/BigAlex-Folding-Pivoting-Adjustable-Carrying/dp/B07CQJW78Z> (Year: 2018).*

(**) Term: **15 Years**

Amazon.ca, Site visited Apr. 26, 2022, A sixx Foldable Walking Cane, First available Aug. 18, 2020, <https://www.amazon.ca/Foldable-Portable-Anti-Shock-Telescopic-Lightweight/dp/B08G56RZ6S> (Year: 2020).*

(21) Appl. No.: **29/752,410**

* cited by examiner

(22) Filed: **Sep. 27, 2020**

Primary Examiner — Brett Miller

(51) **LOC (13) Cl.** **03-03**

Assistant Examiner — Jessica M Gebhart

(52) **U.S. Cl.**
USPC **D3/7; D24/188**

(74) *Attorney, Agent, or Firm* — Mersenne Law

(58) **Field of Classification Search**
CPC A61H 3/00; A61H 3/02; A45B 1/04; A45B 9/02; A45B 3/04; A45B 9/00; A45B 1/00; A45B 1/02; A45B 9/04; A45B 2009/007; A45B 7/00; A61G 7/053; B62B 1/00; B62B 5/00; A63C 11/22; A63C 11/221; F41B 15/02

(57) **CLAIM**

See application file for complete search history.

We claim the ornamental design for a bug-leg cane, as shown and described.

DESCRIPTION

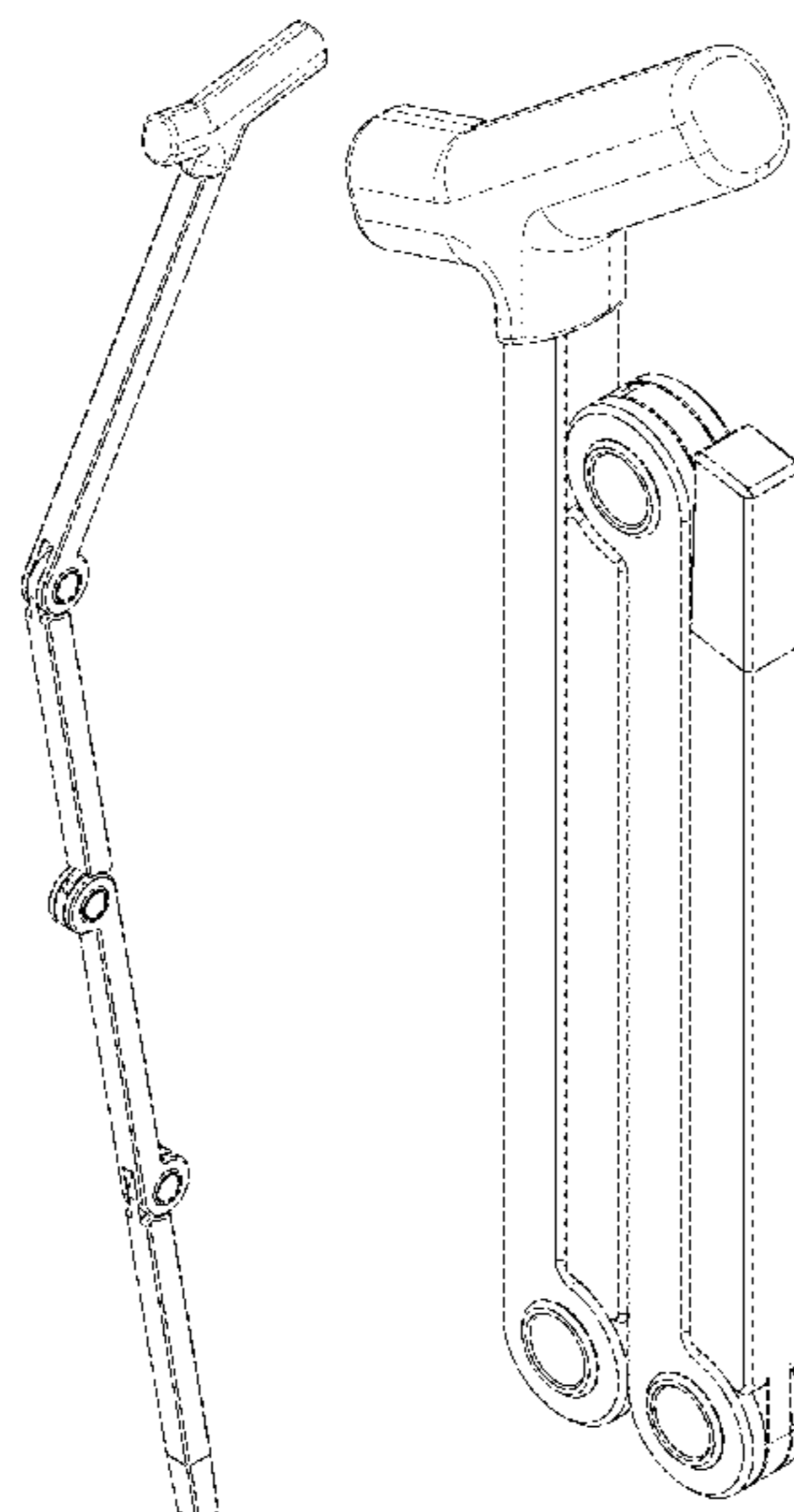
(56) **References Cited**

U.S. PATENT DOCUMENTS

D140,188	S	*	1/1945	Brickson	D3/8
D555,350	S	*	11/2007	Graves	D3/7
D722,762	S	*	2/2015	Kroeker	D3/12
D750,884	S	*	3/2016	Weber	D24/188
9,456,671	B2	*	10/2016	Crowhurst	A45B 9/04
10,729,213	B2	*	8/2020	FitzPatrick	A45B 7/005
D930,969	S	*	9/2021	FitzPatrick	D3/7
2019/0298015	A1	*	10/2019	FitzPatrick	A45B 7/005
2020/0008545	A1	*	1/2020	Strum	A45B 9/02
2022/0095753	A1	*	3/2022	Mehl	A45B 7/00

FIG. 1 shows a general perspective view of the invention in an unfolded configuration.
FIG. 2 shows a left-side view of FIG. 1.
FIG. 3 shows a rear view of FIG. 1.
FIG. 4 shows a right-side view of FIG. 1.
FIG. 5 shows a top view of FIG. 1.
FIG. 6 shows a general perspective view of the invention in a folded configuration.
FIG. 7 shows a left side view of FIG. 6.
FIG. 8 shows a rear view of FIG. 6.
FIG. 9 shows a right-side view of FIG. 6.
FIG. 10 shows a top view of FIG. 6; and,
FIG. 11 shows a bottom view of FIG. 6.

1 Claim, 4 Drawing Sheets



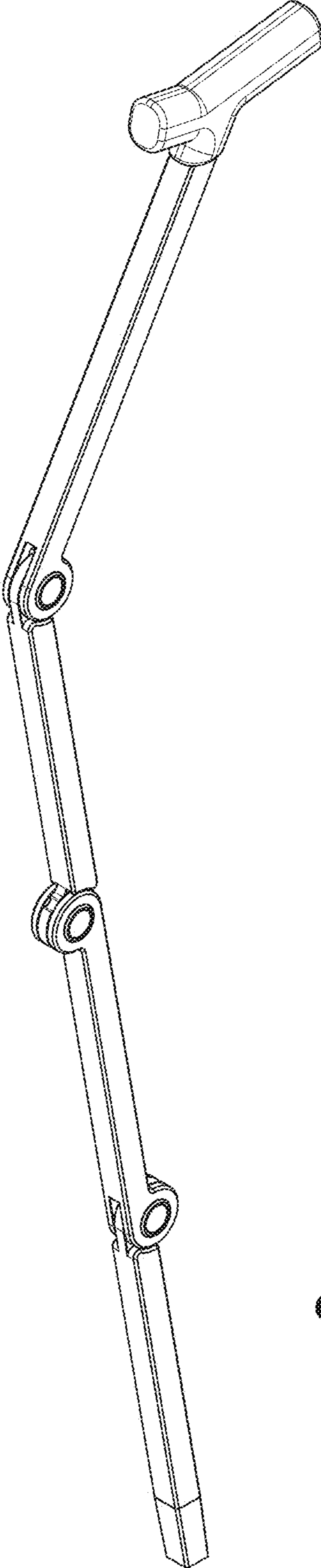


Fig. 1

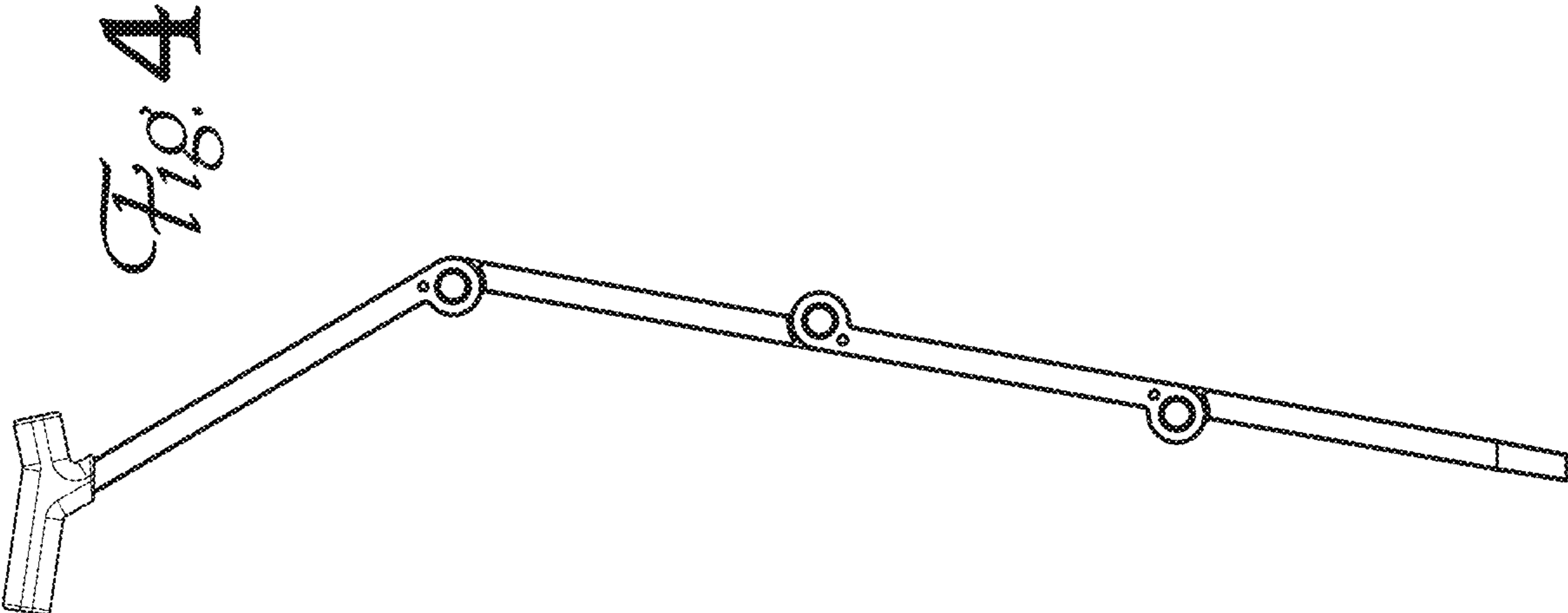


Fig. 4



Fig. 5

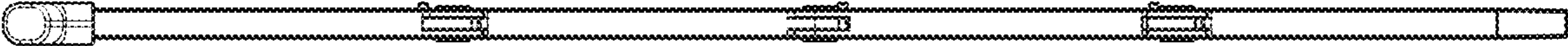


Fig. 3

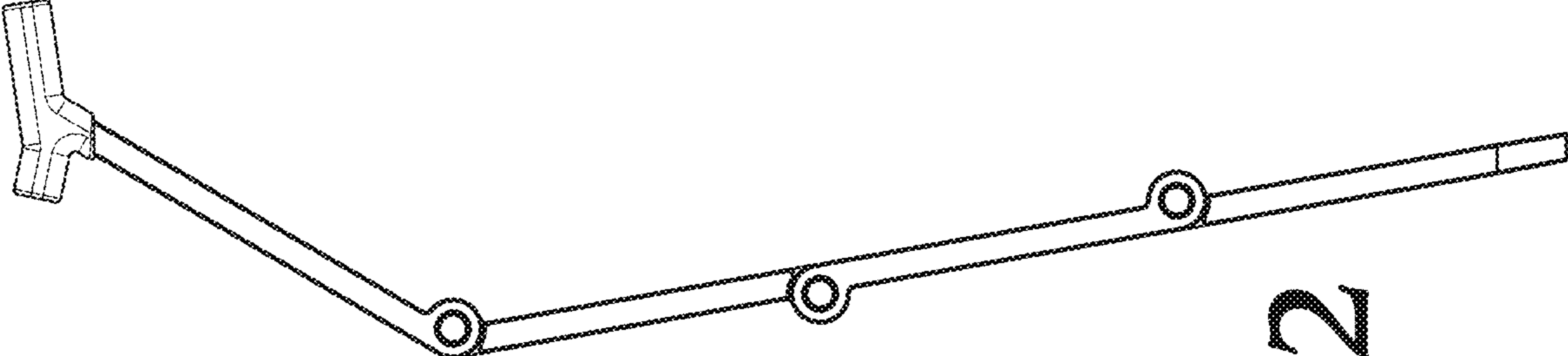


Fig. 2

Fig. 6

