

US00D962598S

(12) **United States Design Patent** (10) **Patent No.:** **US D962,598 S**  
**McKay** (45) **Date of Patent:** **\*\* \*Sep. 6, 2022**

- (54) **HAIR WRAP TOWEL**
- (71) Applicant: **William Douglas McKay**, Phoenix, AZ (US)
- (72) Inventor: **William Douglas McKay**, Phoenix, AZ (US)
- (\* ) Notice: This patent is subject to a terminal disclaimer.
- (\*\*) Term: **15 Years**
- (21) Appl. No.: **29/721,758**
- (22) Filed: **Jan. 23, 2020**
- (51) **LOC (13) Cl.** ..... **02-03**
- (52) **U.S. Cl.**  
USPC ..... **D2/867**; D2/825; D6/608
- (58) **Field of Classification Search**  
USPC ..... D2/865, 866, 867, 870, 874, 877, 878, D2/880, 881, 728, 823, 824, 825, 826, D2/828, 831; D6/595, 596, 602, 603, D6/608; D29/108  
CPC ..... A41D 23/00; A42B 1/00; A42B 1/006; A42B 1/04; A42B 1/041; A42B 1/045; A42B 1/046; A42B 1/048; A42B 7/00; A45D 8/00; A45D 8/40; A45D 19/14; A45D 19/18; A45D 20/00; A45D 20/18  
See application file for complete search history.

- D533,273 S \* 12/2006 Witt ..... D24/128
- 7,412,729 B1 8/2008 McGovern
- D617,979 S \* 6/2010 Rhodes ..... D2/867
- D632,058 S \* 2/2011 Pritchett ..... D2/826
- D641,140 S 7/2011 Clarke
- 9,138,025 B1 9/2015 Lunsford
- D753,373 S 4/2016 Esmer

(Continued)

**OTHER PUBLICATIONS**

US Trademark Application #88265714, now Registered Trademark #5821039, for "Mysa," filed on Jan. 17, 2019 by Mysa, LLC. First Use in Commerce dat: Sep. 2018. Retrieved on Apr. 20, 2022. (5 pages). (Year: 2019).\*

(Continued)

*Primary Examiner* — Jasmine Mlinarcik  
(74) *Attorney, Agent, or Firm* — Dinsmore & Shohl LLP

(57) **CLAIM**

The ornamental design for a hair wrap towel, as shown and described.

**DESCRIPTION**

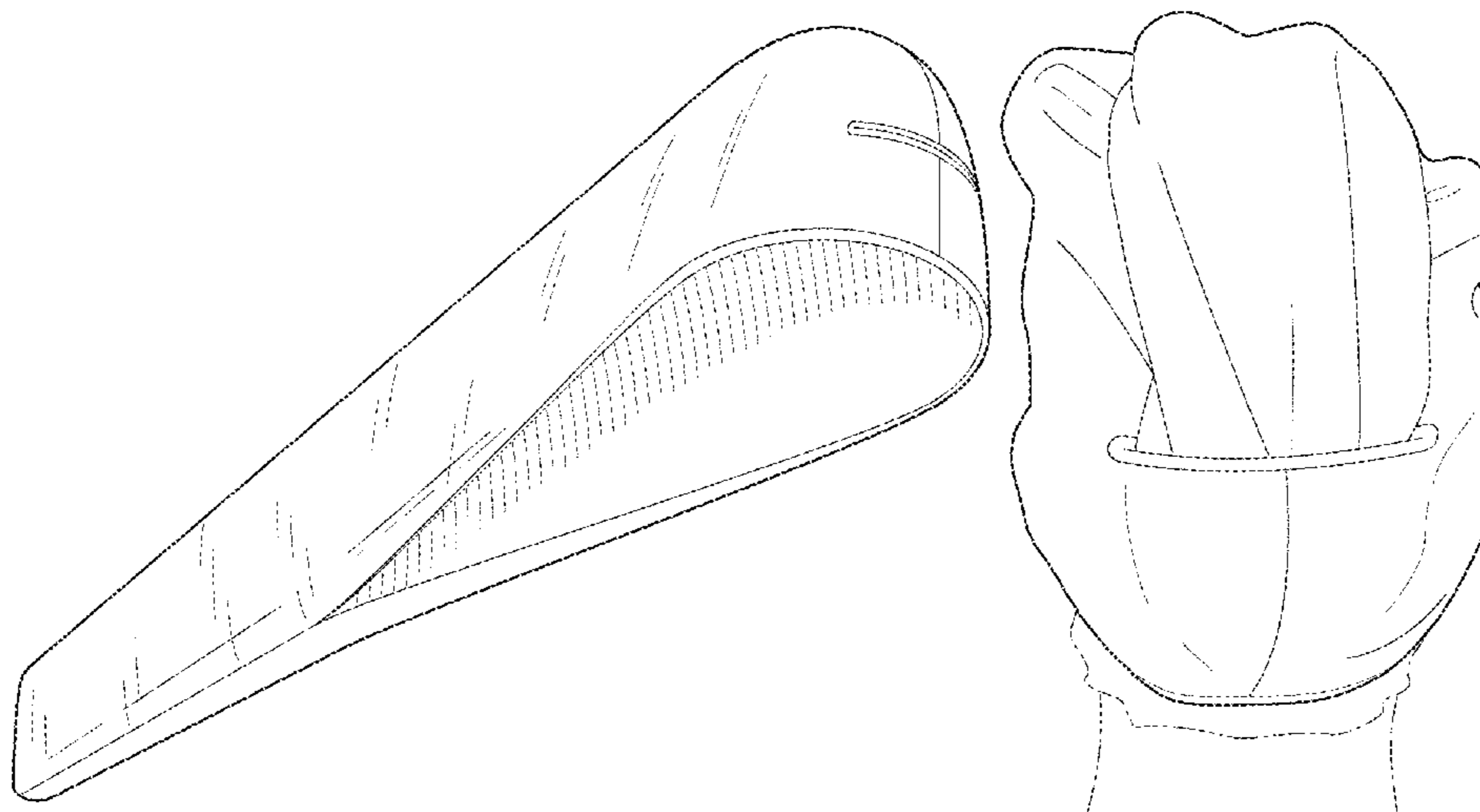
FIG. 1 is a perspective view of a hair wrap towel showing a rear, a top, and a left side view of my new design; FIG. 2 is a perspective view of the hair wrap towel showing a front, a bottom, and a right side view of my new design; FIG. 3 is the rear view thereof; FIG. 4 is the front side view thereof; FIG. 5 is the right side view thereof, the left side is not shown and is a mirror configuration of the right side view; FIG. 6 is the bottom view thereof; FIG. 7 is a top view thereof; FIG. 8 is a rear perspective view of the hair wrap towel shown in a position of use; and, FIG. 9 is a front perspective view thereof. The broken line outline of the partial human figure in FIGS. 8 and 9 assists to illustrate the hair wrap towel in a position of use and forms no part of the claimed design.

**1 Claim, 4 Drawing Sheets**

(56) **References Cited**

**U.S. PATENT DOCUMENTS**

- 1,920,387 A 8/1933 Harper
- 5,365,613 A 11/1994 Henegan
- D381,790 S 8/1997 Harris et al.
- D388,589 S \* 1/1998 Walker ..... D2/867
- D412,234 S 7/1999 Cox
- D414,915 S 10/1999 Anderson
- 6,427,251 B1 8/2002 Leach
- 6,434,752 B1 \* 8/2002 Adams ..... A42B 1/041  
132/200
- D486,622 S 2/2004 Matsuda
- D498,345 S 11/2004 Maya



(56)

**References Cited**

U.S. PATENT DOCUMENTS

9,907,381	B2	3/2018	Tussey	
10,021,930	B2	7/2018	De Jesu	
D836,302	S	12/2018	Alba	
D839,546	S *	2/2019	Noiberg .....	D2/826
D927,892	S *	8/2021	McKay .....	D2/880
D935,138	S *	11/2021	Zhang .....	D2/880
D939,812	S *	1/2022	Thurswell .....	D2/825
D944,497	S *	3/2022	Metcalfe .....	D2/889
2007/0056079	A1	3/2007	Didier	
2008/0229479	A1	9/2008	Butterly et al.	
2009/0151048	A1	6/2009	Laury	
2012/0079643	A1	4/2012	Clarke	
2012/0240309	A1	9/2012	Albright	
2015/0335087	A1	11/2015	Martin et al.	
2017/0042268	A1	2/2017	Lessard	
2017/0105504	A1	4/2017	Oishi et al.	
2018/0235411	A1	8/2018	Guerra-Sievers	
2020/0121052	A1 *	4/2020	McKay .....	A45D 20/00
2021/0361048	A1 *	11/2021	McKay .....	A42B 1/006

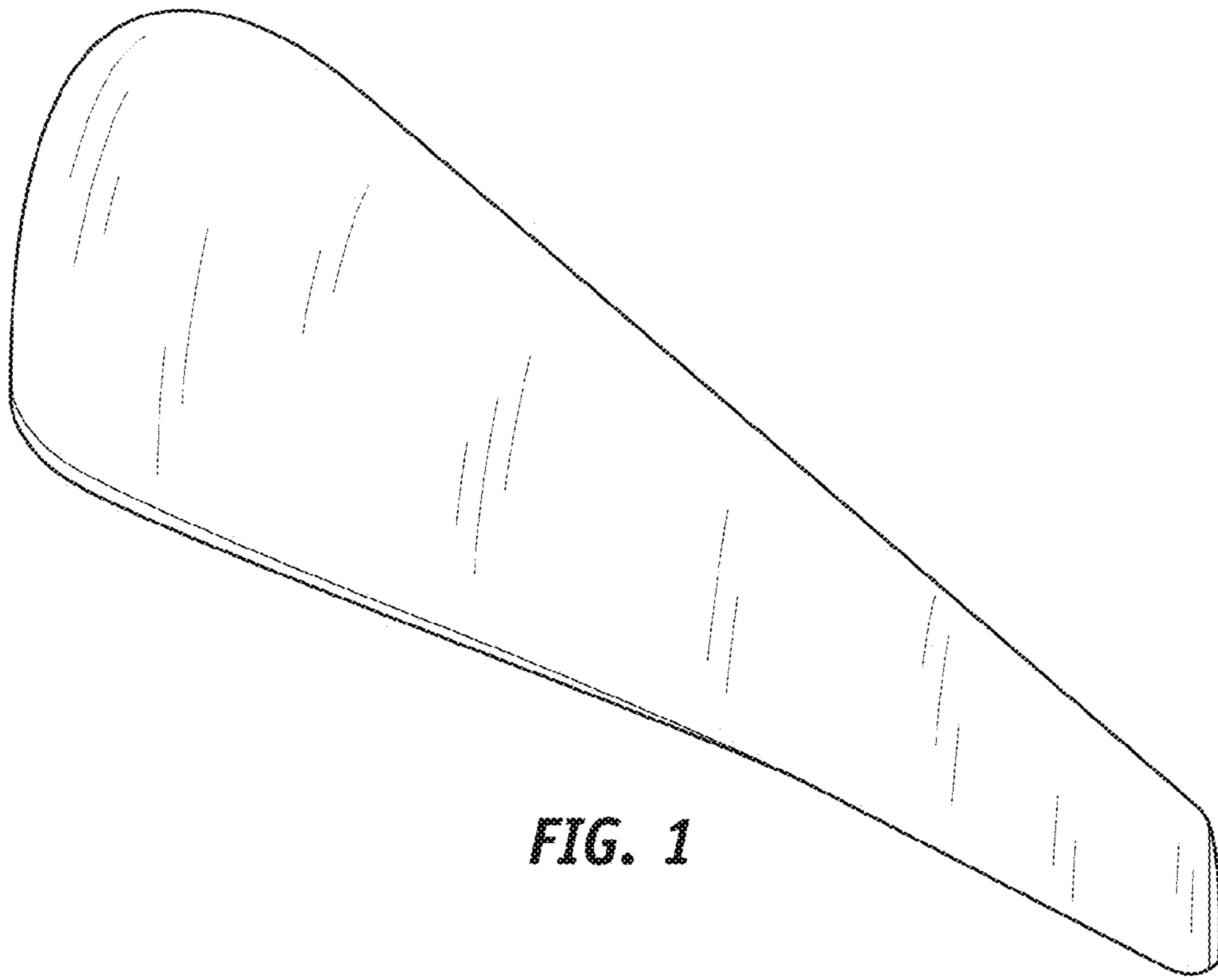
OTHER PUBLICATIONS

<https://aquis.com/collections/your-dream-hair-awaits/products/rapid-dry-hair-turban>.

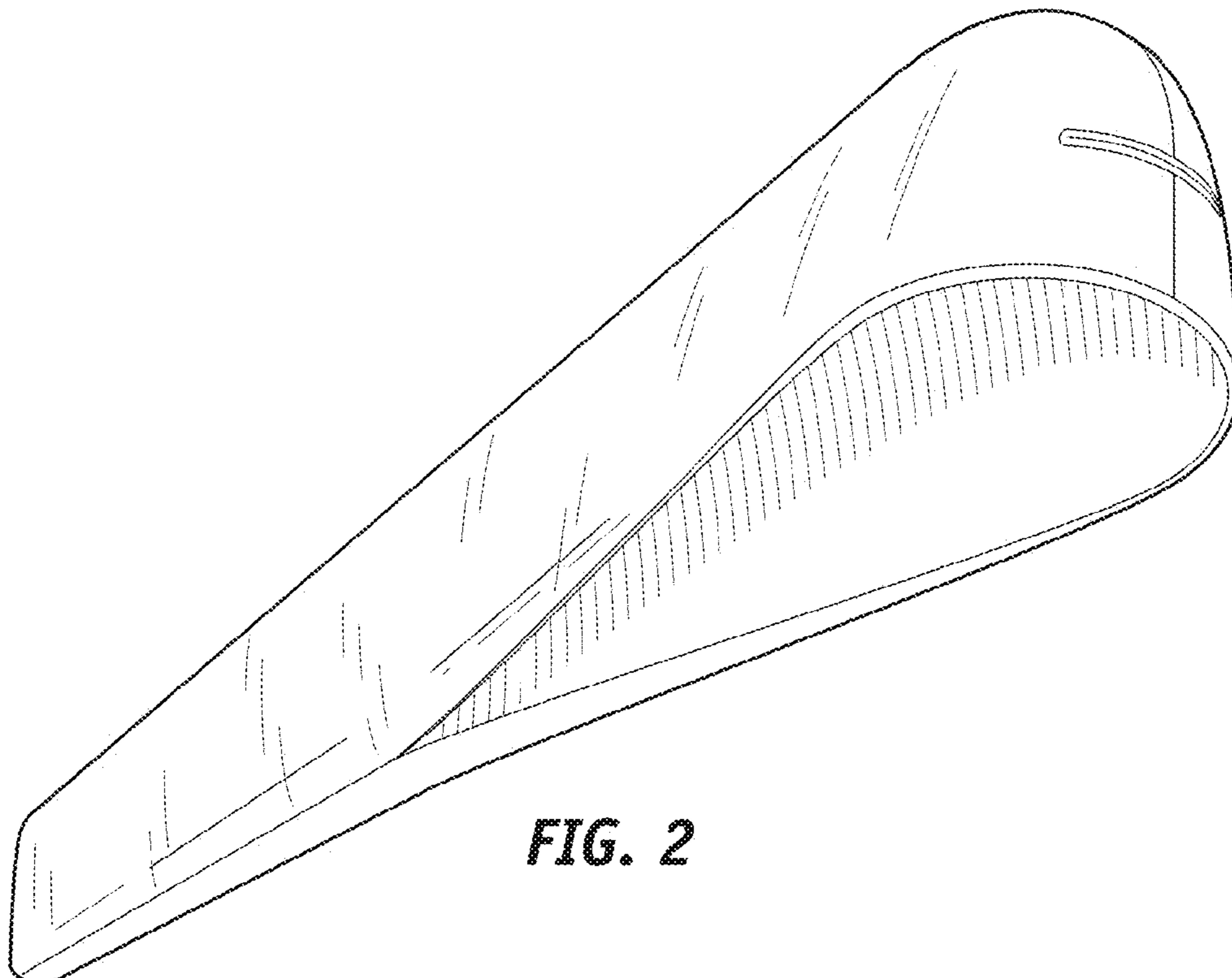
<https://aquis.com/collections/your-dream-hair-awaits/products/rapid-dry-waffle-hair-turban>.

<https://www.turbietwist.com/>.

\* cited by examiner



**FIG. 1**



**FIG. 2**

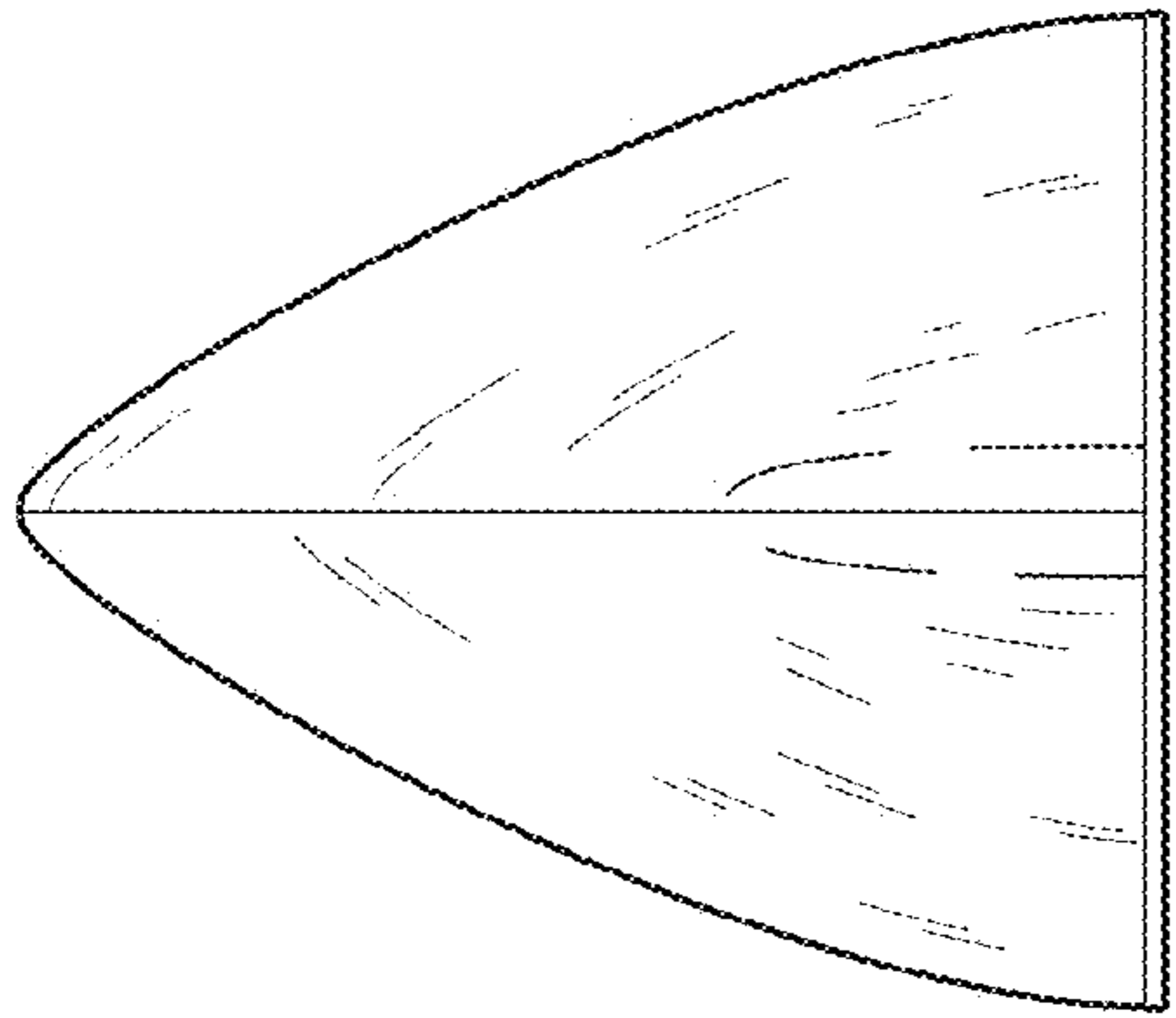


FIG. 3

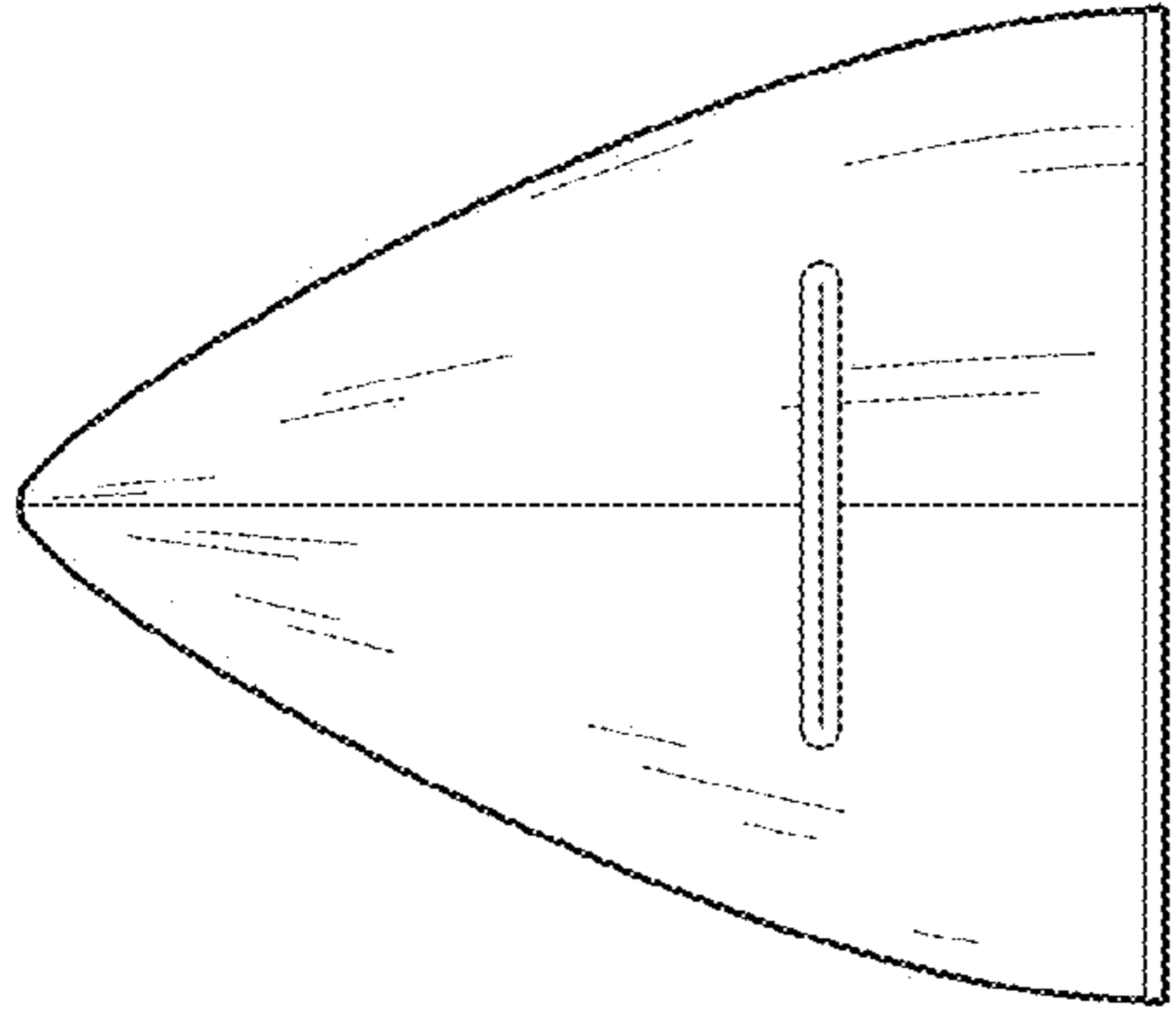


FIG. 4

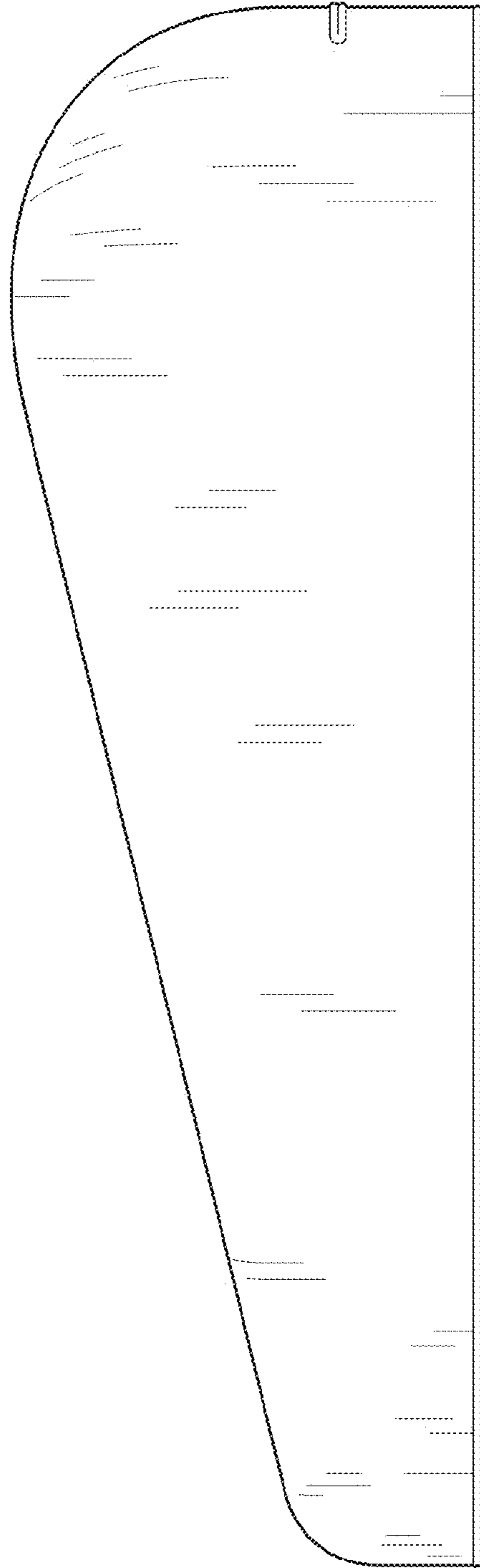
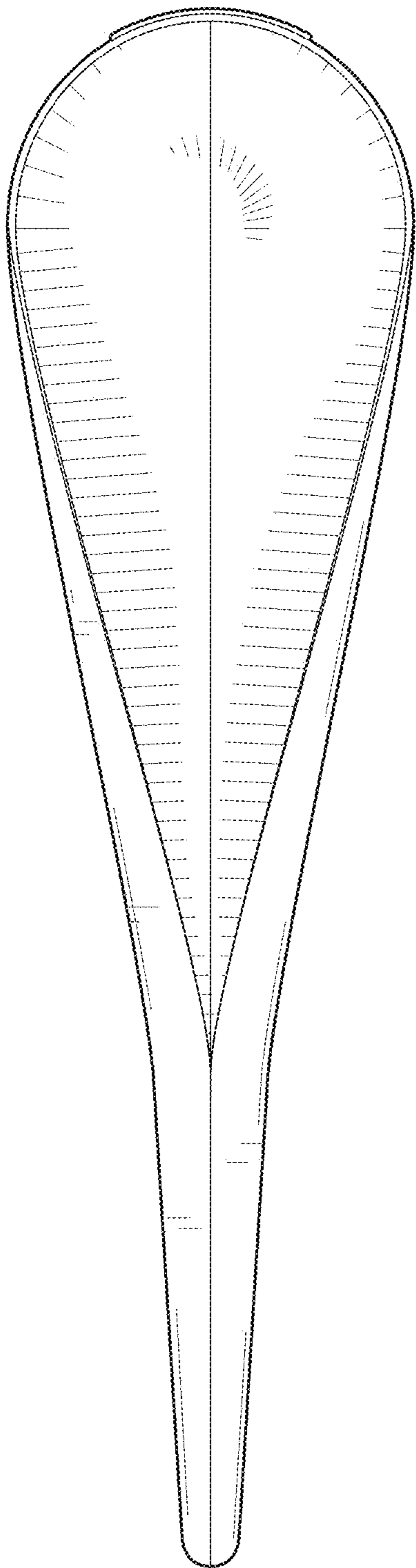
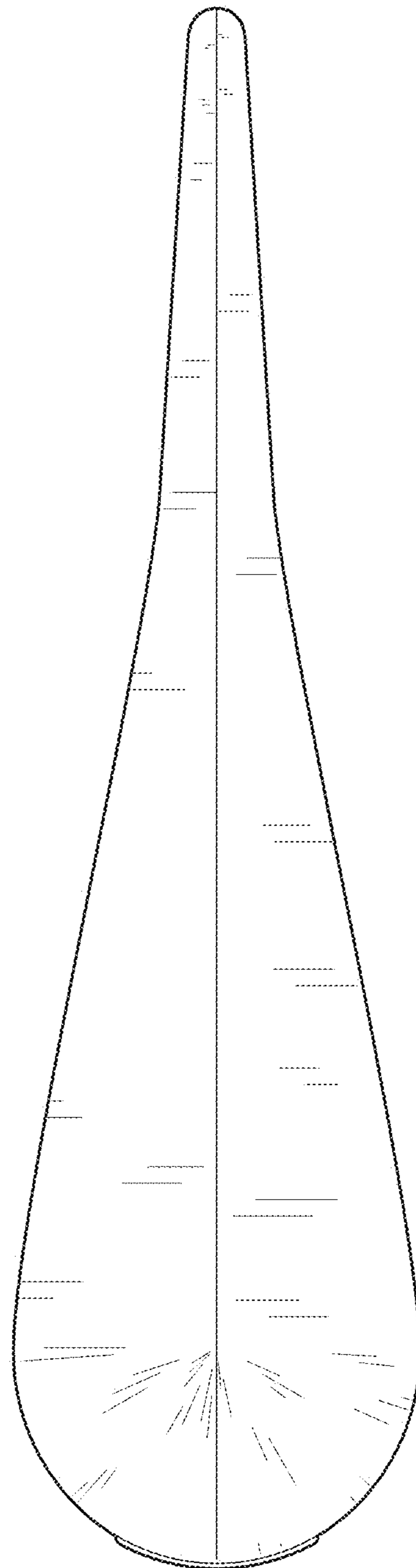


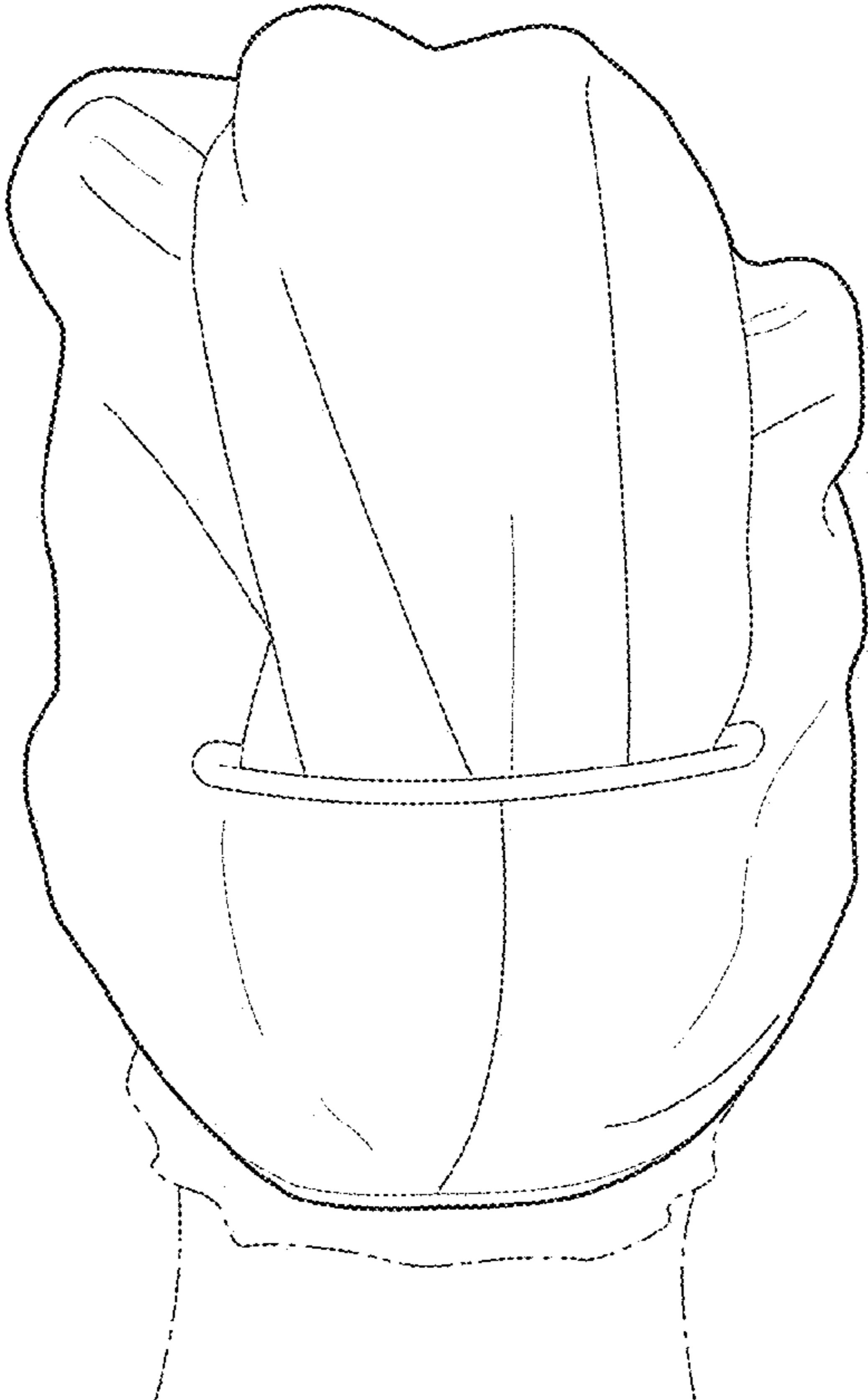
FIG. 5



**FIG. 6**



**FIG. 7**



**FIG. 8**



**FIG. 9**