



US00D962597S

(12) **United States Design Patent**
Kurek

(10) **Patent No.:** **US D962,597 S**

(45) **Date of Patent:** **** Sep. 6, 2022**

(54) **DRIP CATCHER CUFF**

(71) Applicant: **Bar-K Products LLC**, Derby, NY (US)

(72) Inventor: **Victoria Ann Kurek**, Derby, NY (US)

(73) Assignee: **Bar-K Products LLC**, Derby, NY (US)

(**) Term: **15 Years**

(21) Appl. No.: **29/749,392**

(22) Filed: **Sep. 4, 2020**

(51) **LOC (13) Cl.** **02-02**

(52) **U.S. Cl.**
USPC **D2/858**

(58) **Field of Classification Search**

USPC D2/861, 858, 860; D28/10, 20

CPC A45D 44/08; A41D 13/08; A41D 13/088

See application file for complete search history.

(56) **References Cited**

U.S. PATENT DOCUMENTS

1,062,497	A *	5/1913	Parkhurst	A45D 44/08	2/50
1,261,575	A *	4/1918	McLeod	A45D 44/08	2/50
1,302,038	A *	4/1919	Hayes	A41D 13/08	2/170
1,407,658	A *	2/1922	Kelly	A41D 13/088	2/170
1,534,208	A *	4/1925	Gibson	A47L 13/18	401/15
1,808,049	A *	6/1931	Lyden	A41D 13/088	2/170
2,199,334	A *	4/1940	Ferry	A45D 44/08	2/50
2,243,505	A *	5/1941	Mercer	A45D 44/08	2/50
2,364,568	A *	12/1944	Tiscornia	A45D 44/08	2/50
2,638,599	A *	5/1953	Flink	A41D 13/088	2/60

(Continued)

OTHER PUBLICATIONS

Manito Baby Shampoo Shower Hat posted to amazon.com. Available date: Mar. 21, 2015 [site visited Mar. 8, 2022] Available: <<https://www.amazon.com/Manito-Shampoo-Shower-Shield-Strawberry/dp/B00792KRAA?th=1>> (Year: 2015).*

Primary Examiner — Kevin K Rudzinski

(74) *Attorney, Agent, or Firm* — Simpson & Simpson, PLLC

(57) **CLAIM**

The ornamental design for a drip catcher cuff, as shown and described.

DESCRIPTION

FIG. 1 is a front top perspective view of the drip catcher cuff of the present invention;

FIG. 2 is a front elevational view of the drip catcher cuff shown in FIG. 1;

FIG. 3 is a rear elevational view of the drip catcher cuff shown in FIG. 1;

FIG. 4 is a left side elevational view of the drip catcher cuff shown in FIG. 1;

FIG. 5 is a right side elevational view of the drip catcher cuff shown in FIG. 1;

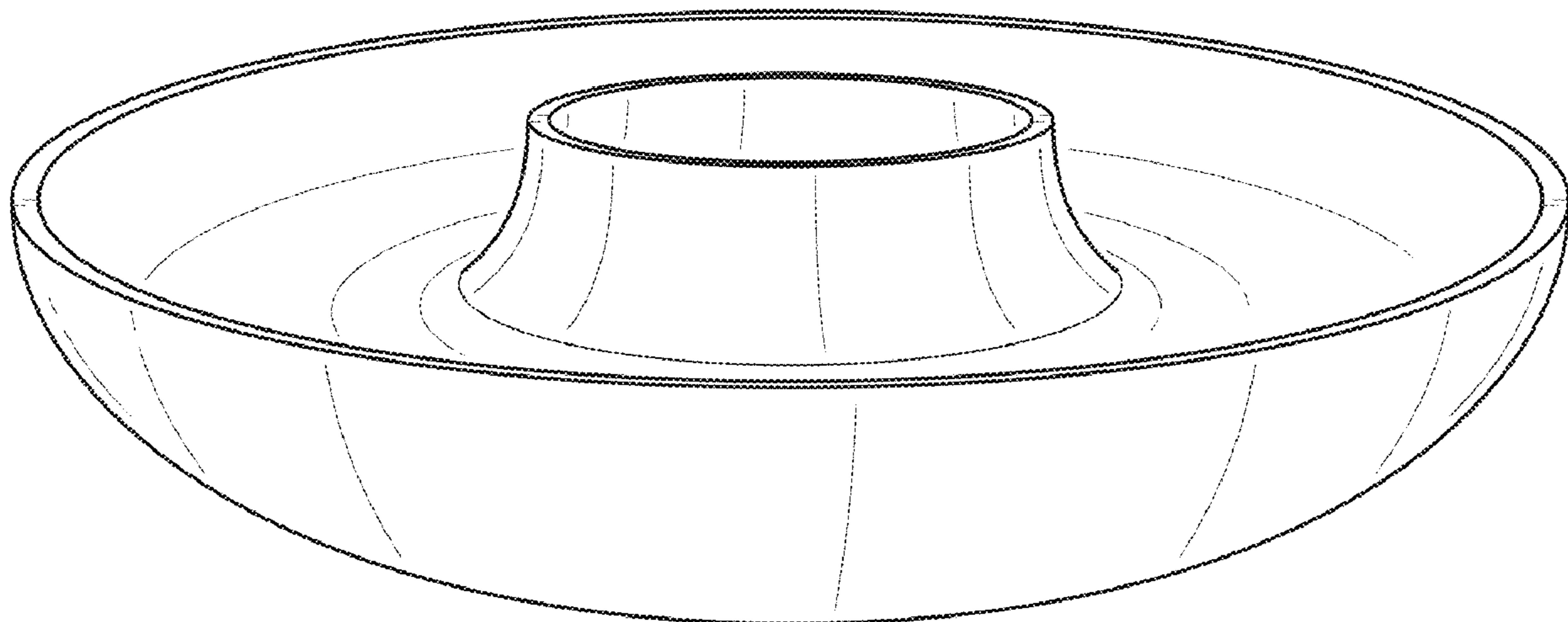
FIG. 6 is a top plan view of the drip catcher cuff shown in FIG. 1;

FIG. 7 is a bottom plan view of the drip catcher cuff shown in FIG. 1; and,

FIG. 8 is a top perspective view of the drip catcher cuff shown in FIG. 1 in use being worn on a limb.

Stippling and/or contour lines are included in the various views, for example, FIG. 1-8, to depict surface curvature, flatness, or other shapes. The broken line of a limb in FIG. 8, illustratively depicts exemplary in-use elements that form no part of the design claim but are included to show the invention in context.

1 Claim, 8 Drawing Sheets



(56)

References Cited

U.S. PATENT DOCUMENTS

2,717,389	A *	9/1955	Gribble	A45D 44/08 2/50
3,879,763	A *	4/1975	Smith	A41D 13/08 2/917
3,883,897	A *	5/1975	Lefkowitz	A41D 19/01594 401/7
4,014,046	A *	3/1977	Craig	A41D 13/08 2/60
4,114,200	A *	9/1978	Smith	A41D 13/1227 2/51
D302,053	S *	7/1989	Bromberger	D28/20
D313,883	S *	1/1991	Fleming	D2/861
4,984,299	A	1/1991	Halldorsdottir	
5,572,740	A *	11/1996	Geniesse	A45D 44/08 2/46
5,682,612	A *	11/1997	Schwarz	A41D 19/0055 2/163
6,092,237	A *	7/2000	Baldwin	A41D 19/0089 2/60
D437,452	S *	2/2001	Sadovskaya	D28/20
6,968,572	B1	11/2005	Johnson	
D608,050	S *	1/2010	Sangurima	D28/10
7,721,354	B2	5/2010	Yu et al.	
11,096,599	B1 *	8/2021	Rogerson	A41D 13/08
2005/0229287	A1	10/2005	Mattesky	
2006/0195965	A1	9/2006	Knuth et al.	
2015/0208740	A1	7/2015	Weinberg	

* cited by examiner

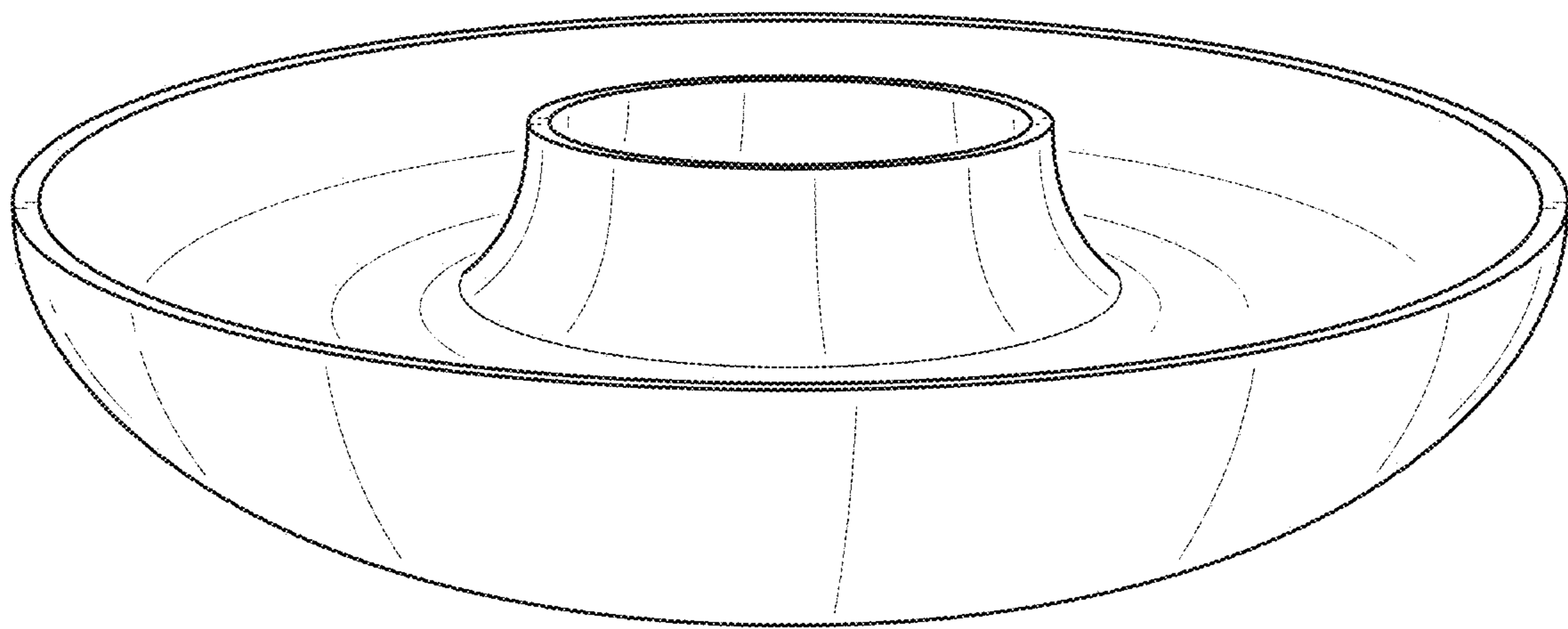


FIG. 1

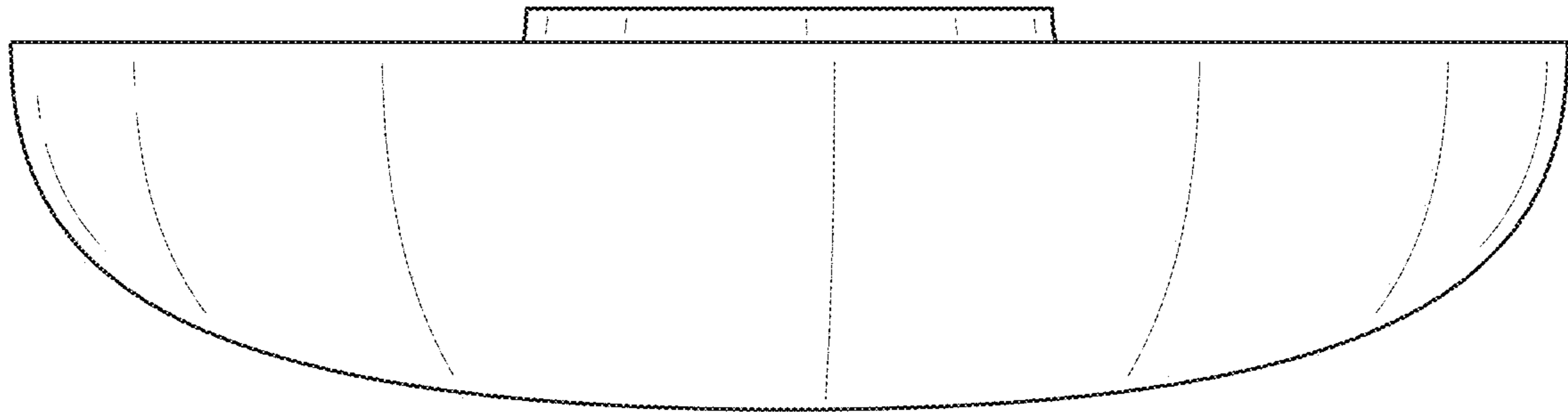


FIG. 2

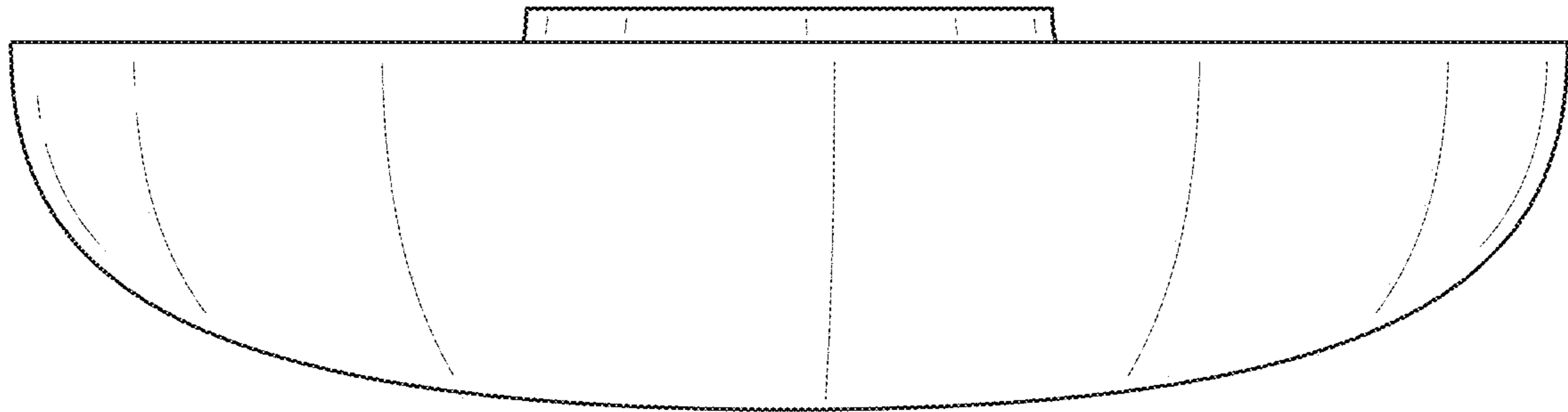


FIG. 3

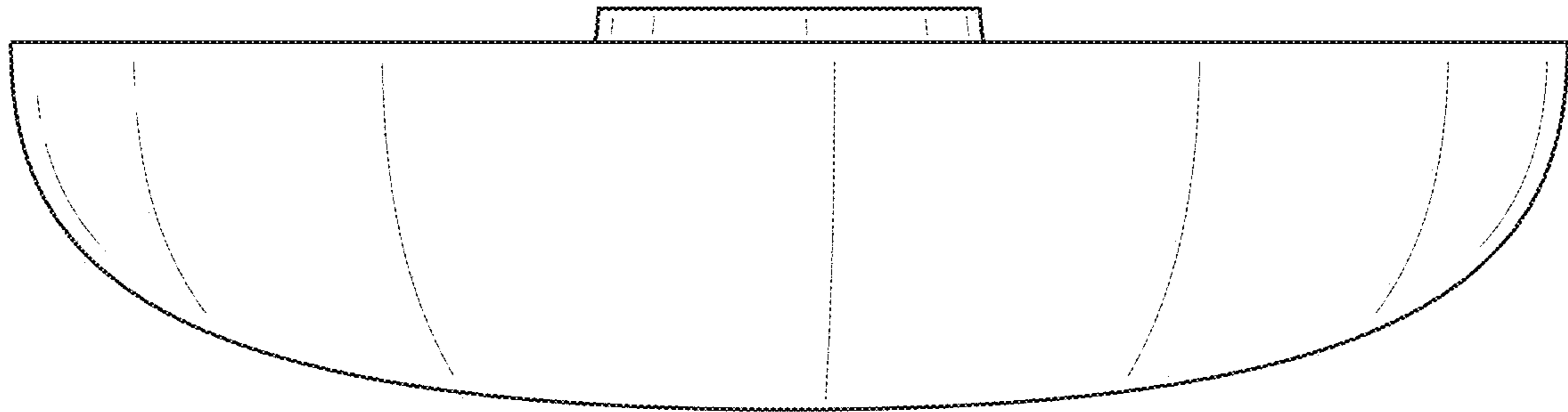


FIG. 4

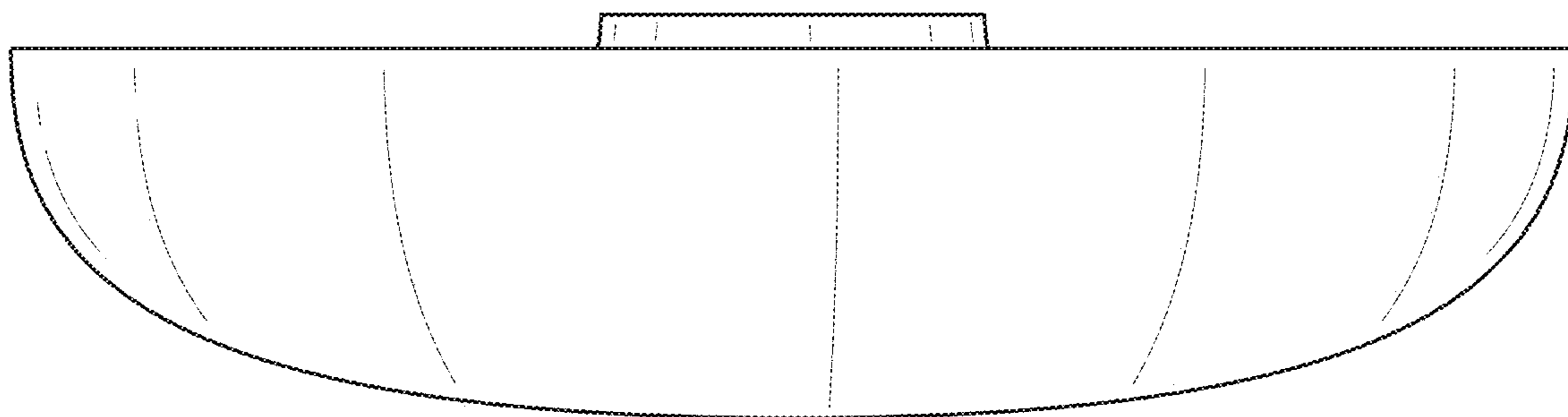


FIG. 5

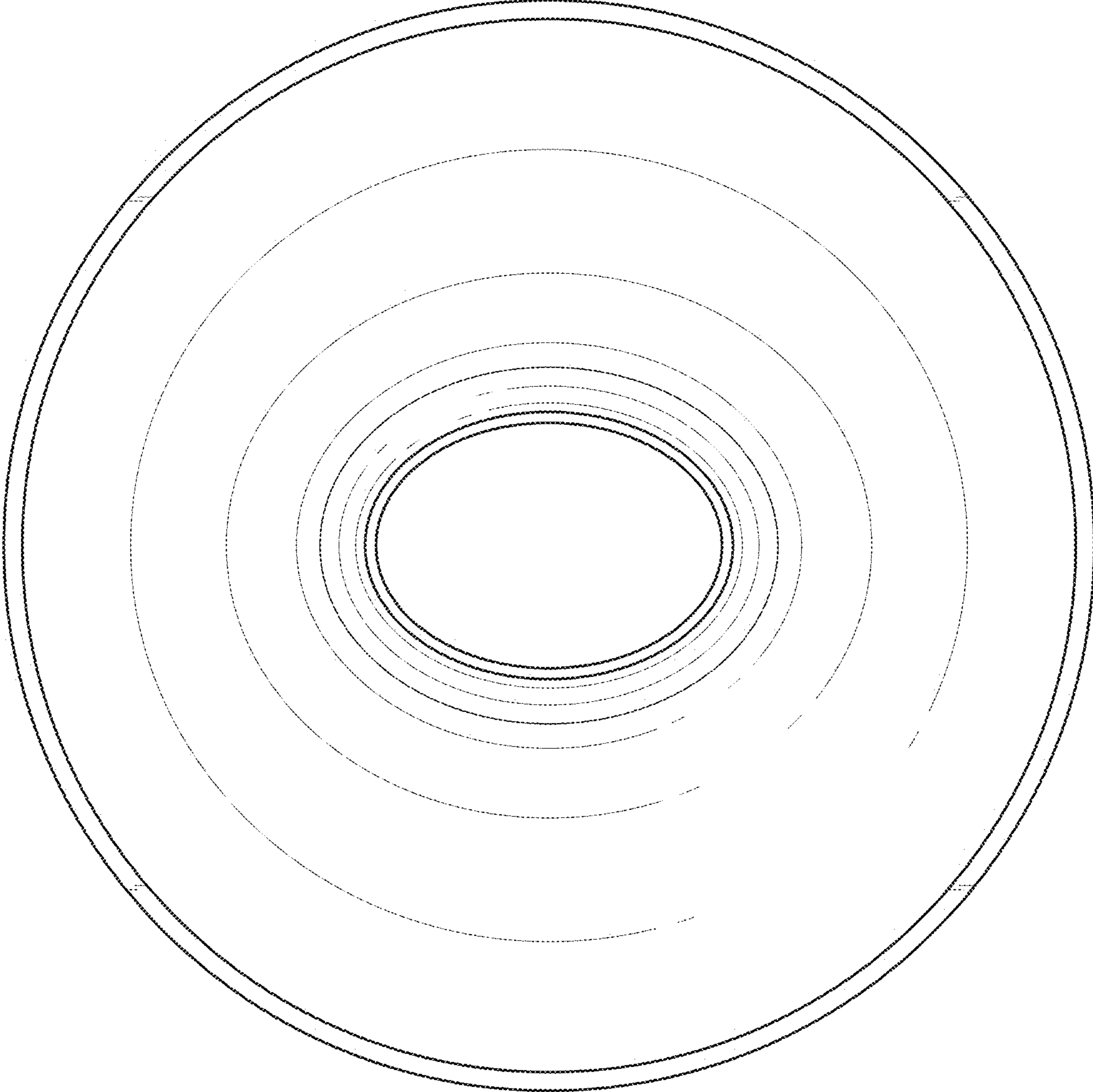


FIG. 6

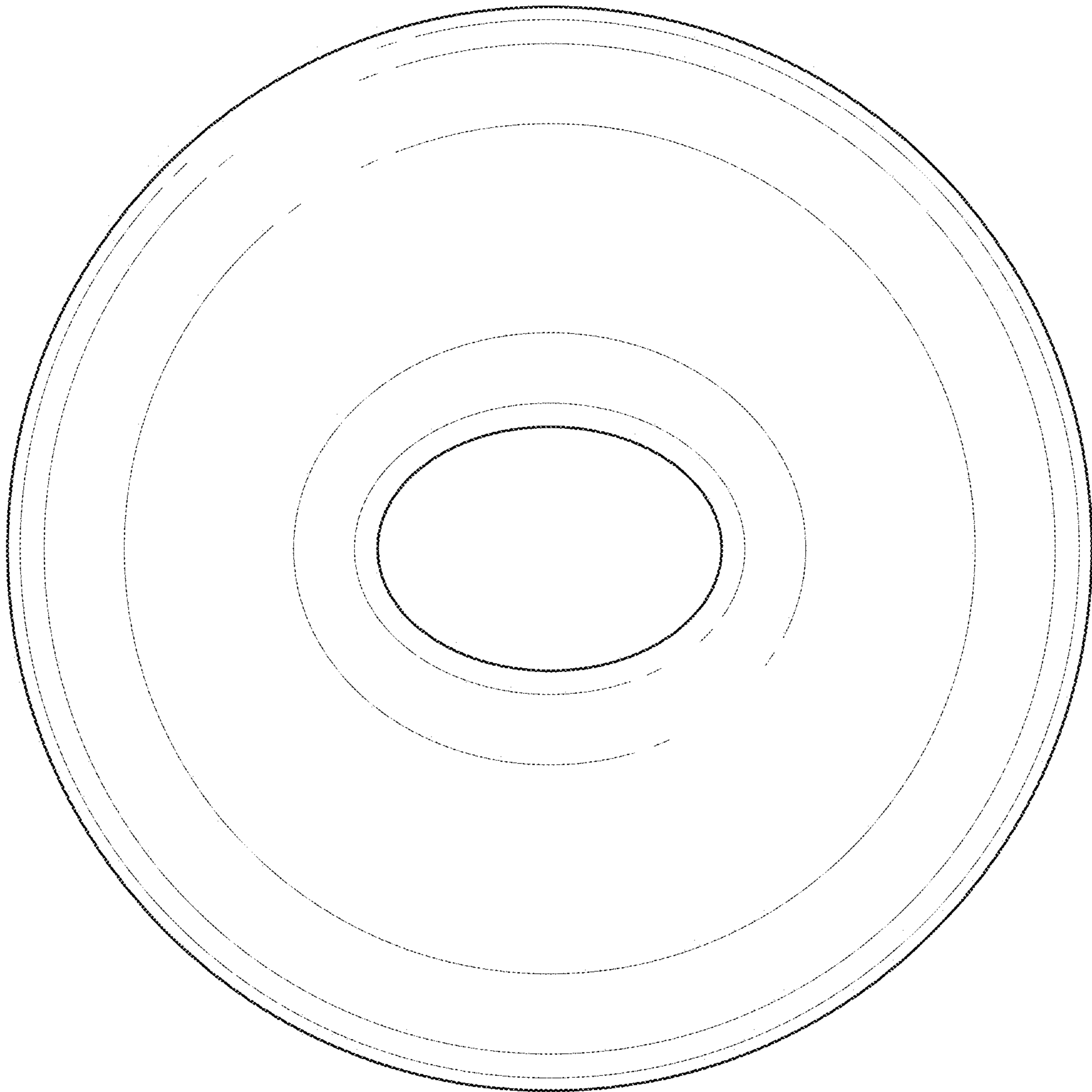


FIG. 7



FIG. 8