



US00D962590S

(12) **United States Design Patent** (10) **Patent No.:** **US D962,590 S**  
**Hernandez et al.** (45) **Date of Patent:** **\*\* Sep. 6, 2022**

(54) **CONFECTIONERY**  
(71) Applicant: **INTERCONTINENTAL GREAT BRANDS LLC**, East Hanover, NJ (US)  
(72) Inventors: **Dante Manuel Hernandez**, Tlanepantla de Baz (MX); **Victoria Juárez**, Tlanepantla de Baz (MX)  
(73) Assignee: **INTERCONTINENTAL GREAT BRANDS LLC**, East Hanover, NJ (US)  
(\*\*) Term: **15 Years**  
(21) Appl. No.: **29/829,867**  
(22) Filed: **Mar. 8, 2022**

D391,385 S 3/1998 Steele  
D490,587 S 6/2004 Hunt et al.  
D517,273 S 3/2006 Harrington et al.  
D598,632 S 8/2009 Damron et al.  
D654,245 S \* 2/2012 School ..... D99/5  
D684,336 S \* 6/2013 Couttenye ..... D1/107  
D695,988 S 12/2013 Trammell et al.  
8,732,919 B1 \* 5/2014 Malueg-Ray ..... A61G 17/08  
27/1  
D728,192 S \* 5/2015 Neely ..... D1/109  
D768,351 S \* 10/2016 Sherman ..... D1/108  
D768,352 S \* 10/2016 Sherman ..... D1/108  
D779,150 S 2/2017 Sherman et al.  
D819,901 S \* 6/2018 Bone ..... D30/199  
D939,183 S \* 12/2021 Polak ..... D1/127

(Continued)

**Related U.S. Application Data**

(62) Division of application No. 29/734,500, filed on May 13, 2020, now Pat. No. Des. 948,837.  
(51) **LOC (13) Cl.** ..... **01-01**  
(52) **U.S. Cl.**  
USPC ..... **D1/127**  
(58) **Field of Classification Search**  
USPC ..... D1/100–130, 199; 426/5, 104, 249, 275, 426/660, 549, 512; D24/101–104; 273/429; D9/707, 714; D28/8.1, 4; D14/433; D11/20, 31  
CPC ... A23G 4/02; A23G 4/06; A23G 4/08; A23G 4/10; A23G 4/20; A23G 4/00; A23G 3/38; A23G 3/42; A23G 3/54; A23G 3/50; A23G 9/48; A23K 1/164; A23V 2002/00  
See application file for complete search history.

**References Cited**

**U.S. PATENT DOCUMENTS**

D62,611 S 7/1923 Hochstraser  
D224,549 S 8/1972 Kroll  
D327,154 S 6/1992 Raimbert

**OTHER PUBLICATIONS**

“Limited Edition Maynards Sour Patch Kids Head & Bodies.” Grocery Gems. Oct. 17, 2013. Web Jun. 2, 2021. <<http://grocerygems.blogspot.com/2013/10/limited-edition-maynards-sour-patch.html>> pp. 1-5.

*Primary Examiner* — Katie Jane Stofko

(74) *Attorney, Agent, or Firm* — Cantor Colburn LLP

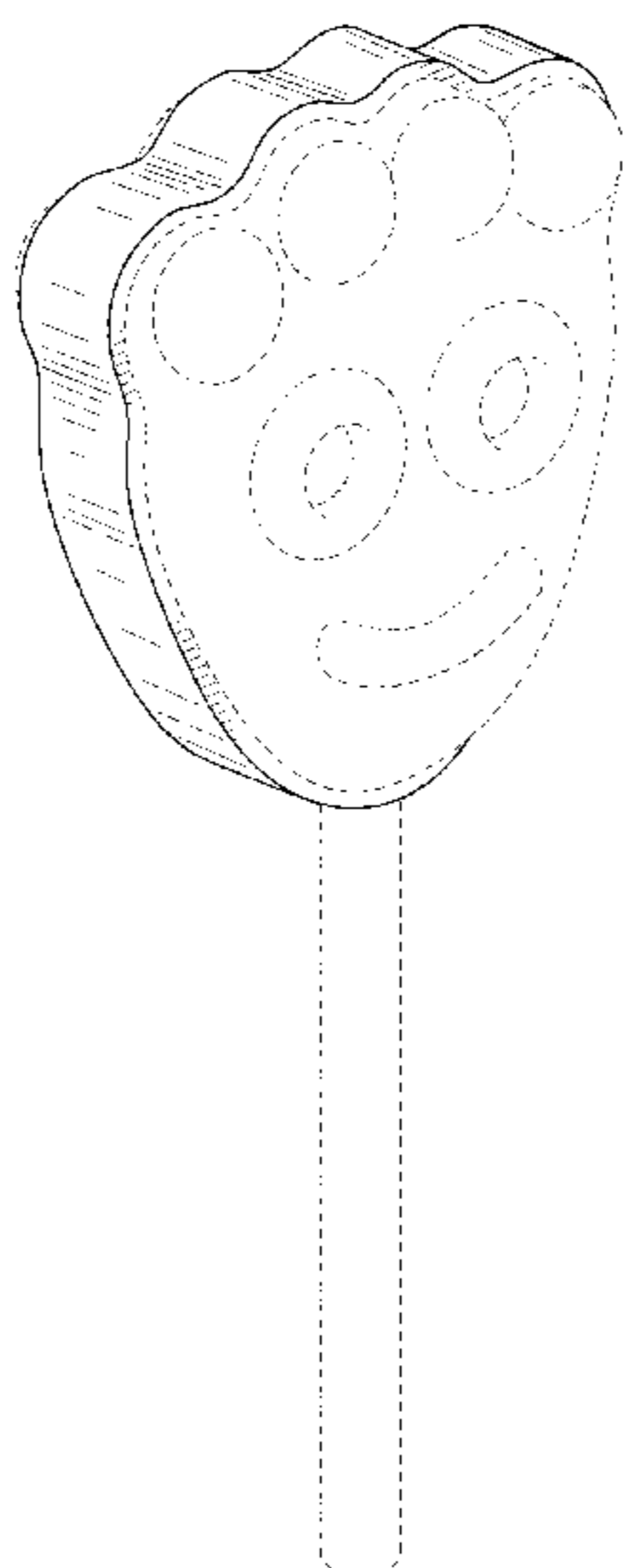
(57) **CLAIM**

We claim, the ornamental design for a confectionery, as shown and described.

**DESCRIPTION**

FIG. 1 is a top, front and left side perspective view of a confectionery, showing our new design;  
FIG. 2 is a front elevation view thereof;  
FIG. 3 is a rear elevation view thereof;  
FIG. 4 is a right side elevation view thereof;  
FIG. 5 is a left side elevation view thereof;  
FIG. 6 is a top plan view thereof; and,  
FIG. 7 is a bottom plan view thereof.  
The broken line disclosure forms no part of the claimed design.

**1 Claim, 6 Drawing Sheets**



(56)

**References Cited**

U.S. PATENT DOCUMENTS

D939,184	S	*	12/2021	Polak	.....	D1/127
D947,489	S	*	4/2022	Polak	.....	D1/127
D947,490	S	*	4/2022	Polak	.....	D1/127
D948,837	S	*	4/2022	Hernandez	.....	D1/127
D948,838	S	*	4/2022	Hernandez	.....	D1/127
2008/0213436	A1		9/2008	Mansuino		

\* cited by examiner

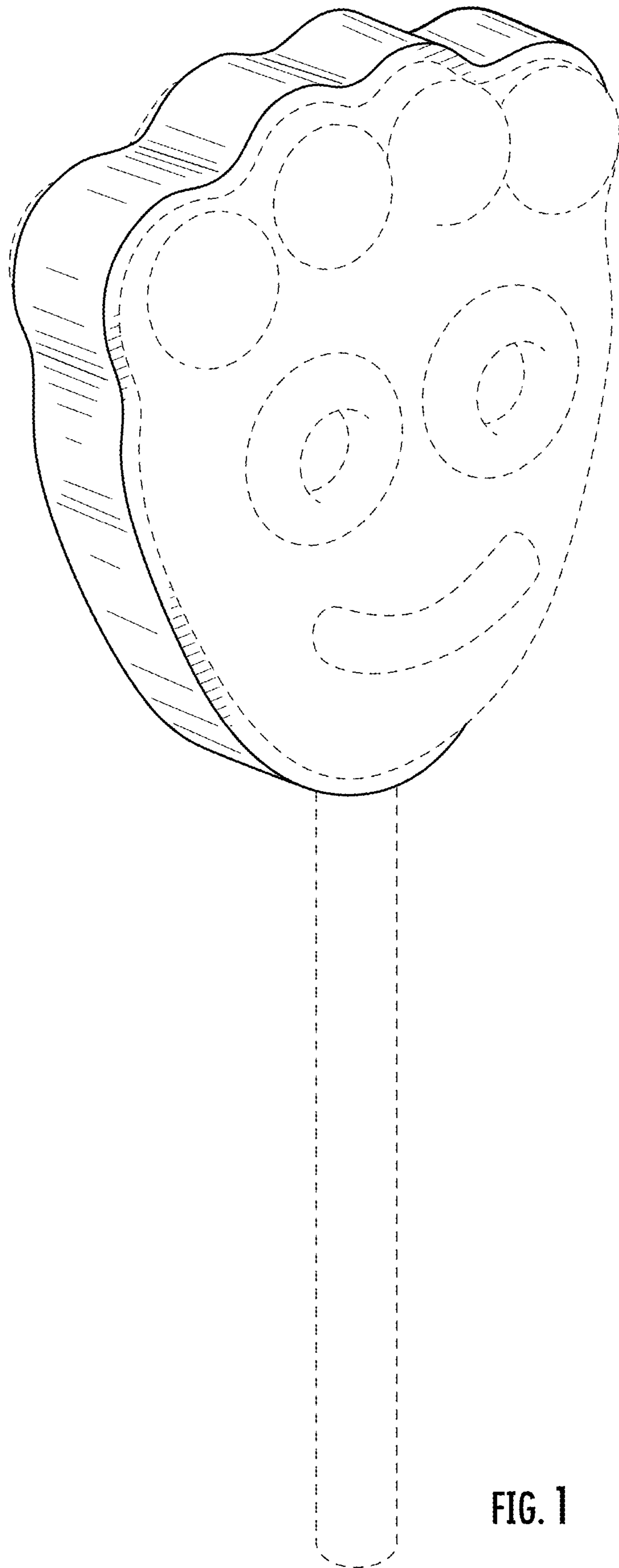


FIG. 1

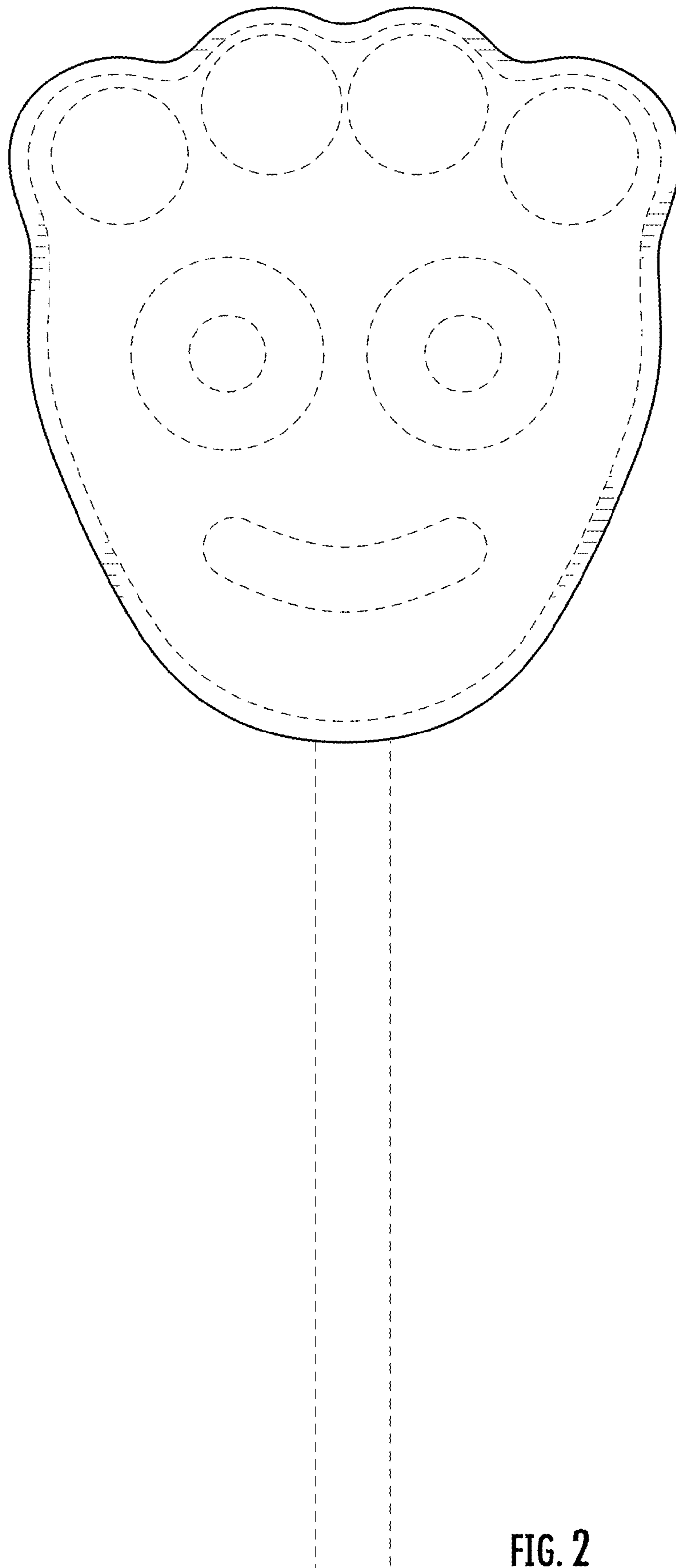


FIG. 2

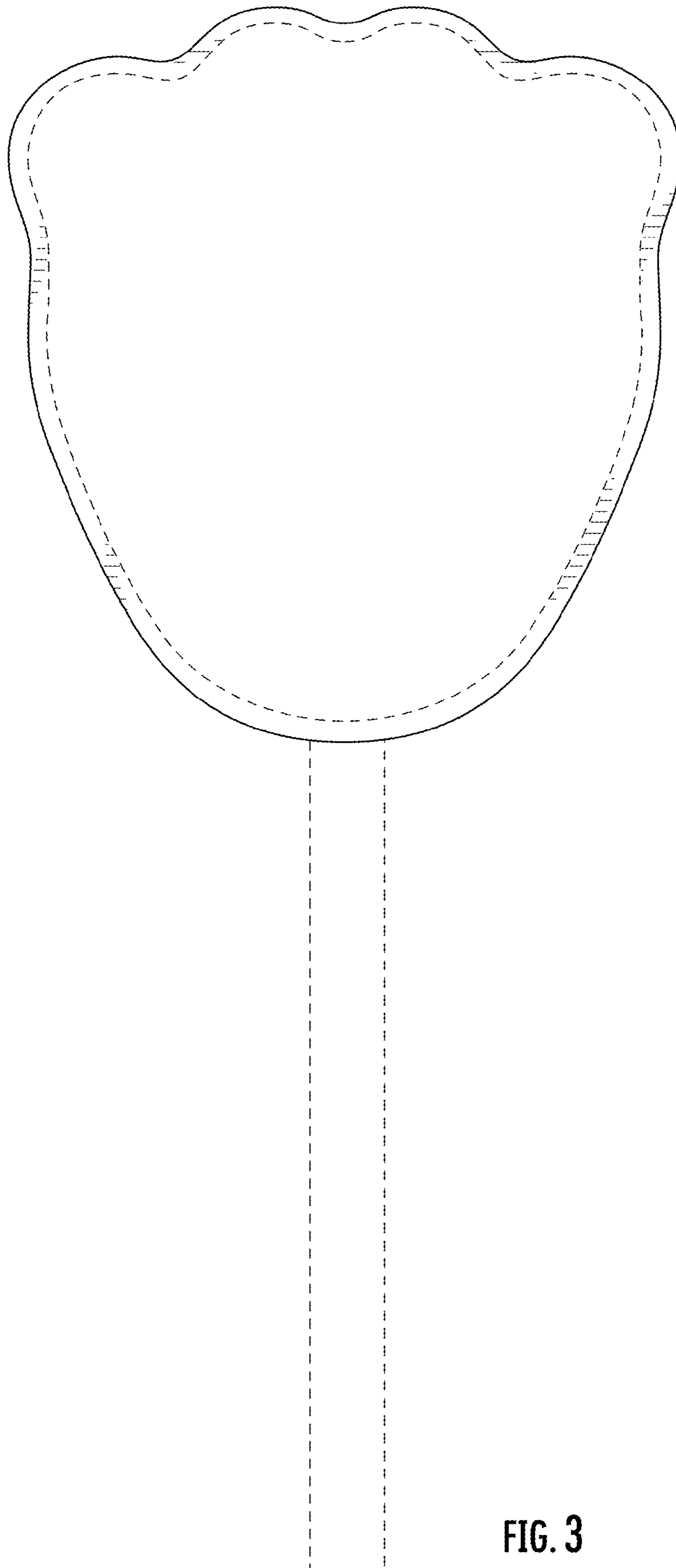


FIG. 3

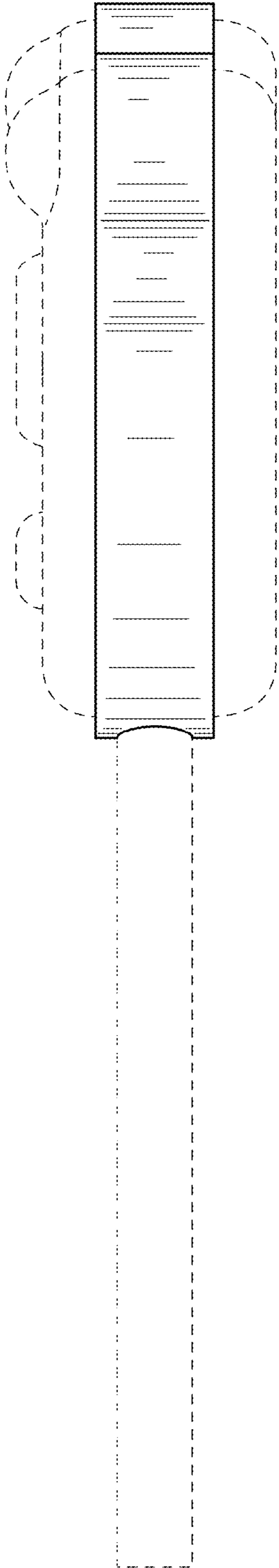


FIG. 4

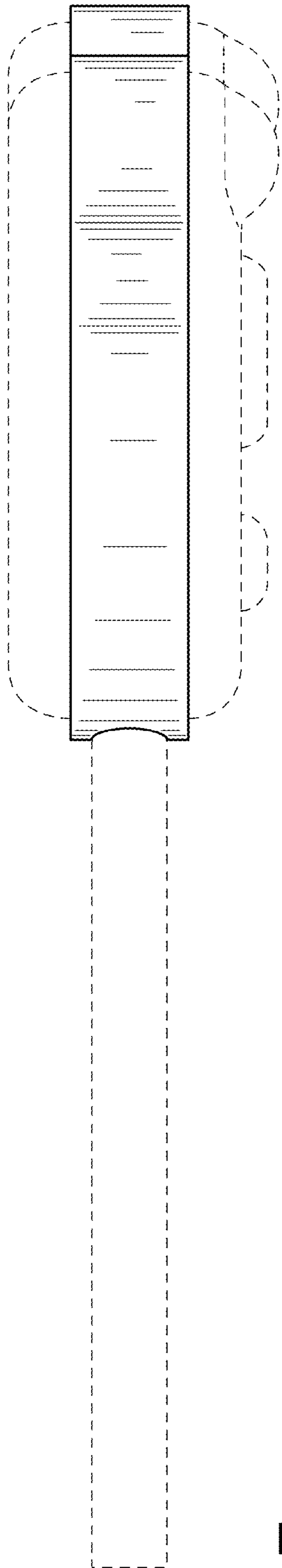


FIG. 5

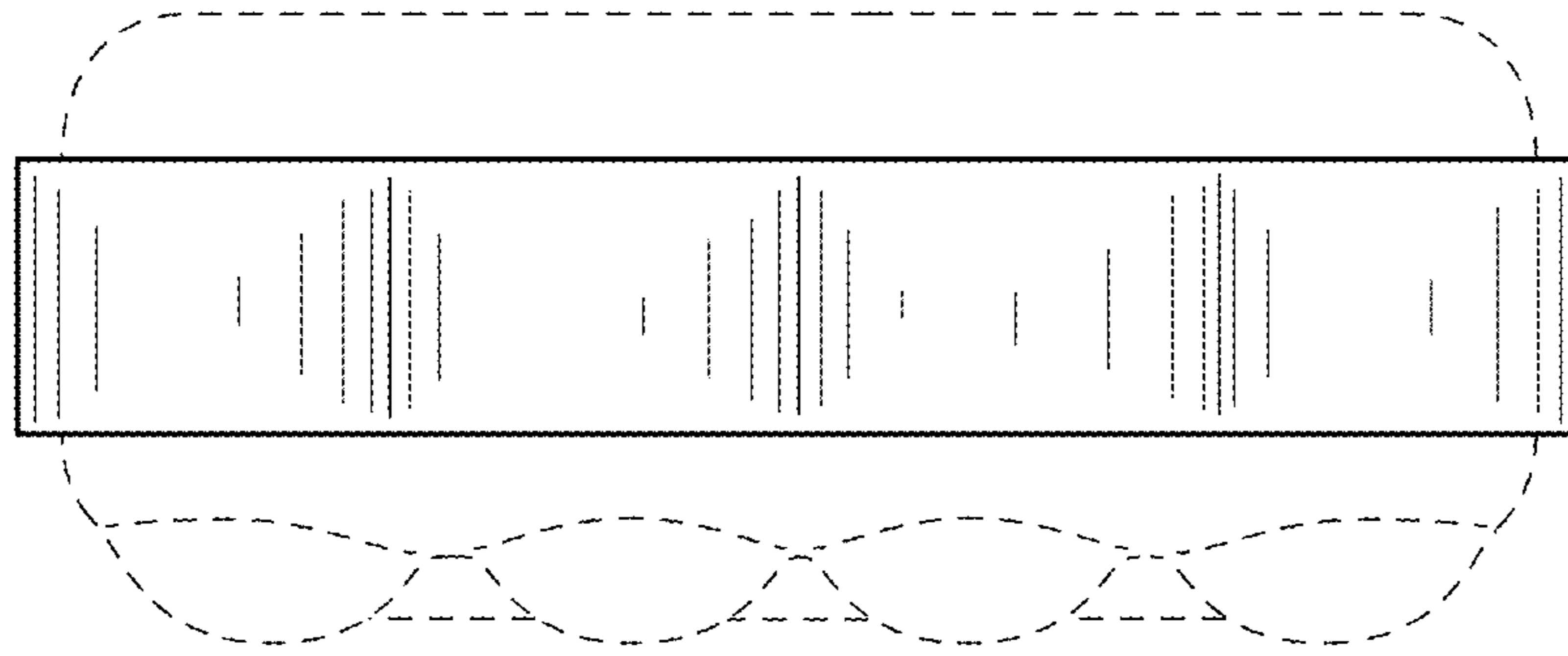


FIG. 6

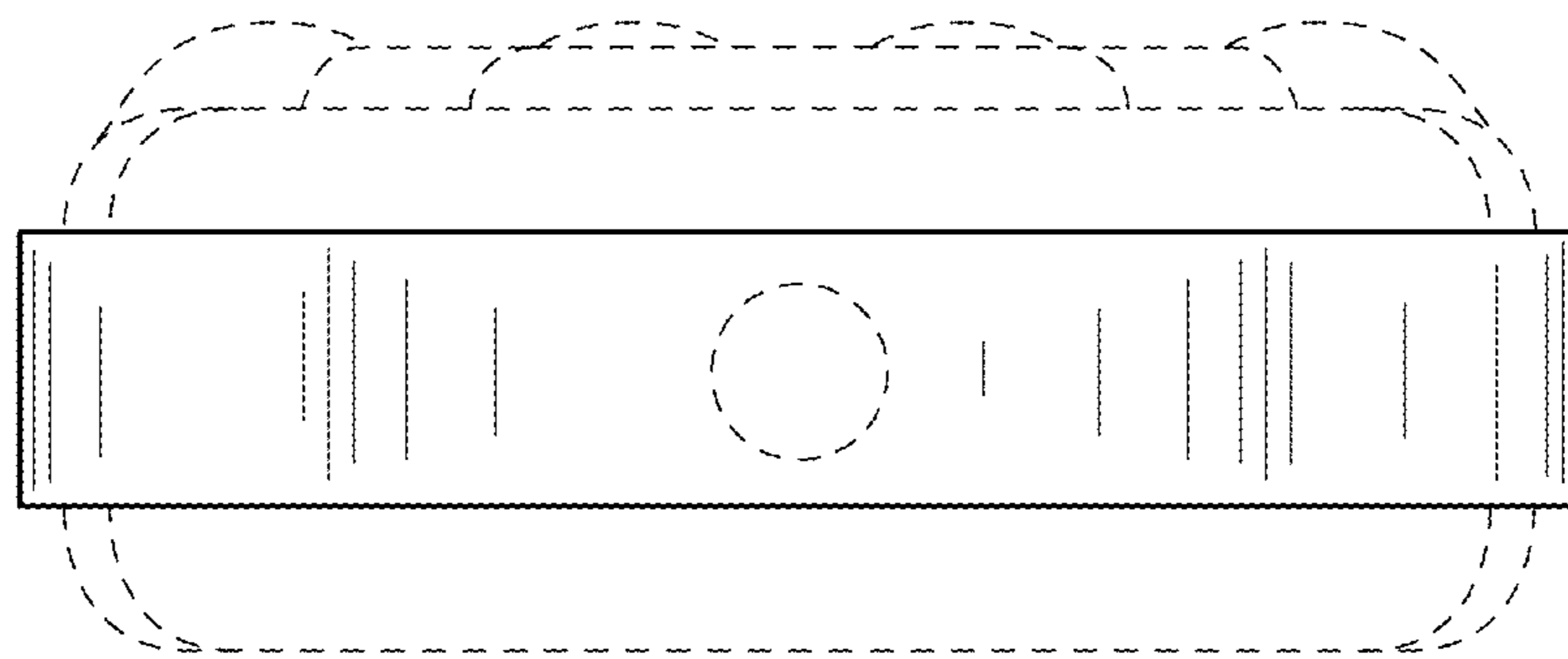


FIG. 7