



US00D962585S

(12) **United States Design Patent**  
**Chen**

(10) **Patent No.:** **US D962,585 S**

(45) **Date of Patent:** **\*\* Aug. 30, 2022**

(54) **PISTOL BOX**

(71) Applicant: **Ningbo Tigerking Safe Co., Ltd.,**  
Zhejiang (CN)

(72) Inventor: **Junbiao Chen,** Zhejiang (CN)

(73) Assignee: **Ningbo Tigerking Safe Co., Ltd.,**  
Ningbo (CN)

(\*\*) Term: **15 Years**

(21) Appl. No.: **29/747,607**

(22) Filed: **Aug. 24, 2020**

(51) **LOC (13) Cl.** ..... **99-00**

(52) **U.S. Cl.**  
USPC ..... **D99/28; D99/43**

(58) **Field of Classification Search**  
USPC ..... D99/28, 34, 35, 36, 43; 109/1 R, 1 V, 2,  
109/45; 902/9, 30; 235/100; 206/317,  
206/527, 235; 312/400, 409

CPC .... E05B 65/0075; F42B 39/00; F42B 39/002;  
F42B 39/14; F42B 39/18; F42B 39/24;  
F42B 39/22; F42B 39/20; F42B 39/26;  
E05G 1/00; E05G 1/005; E05G 1/024;  
E05G 5/00; E05G 5/02; E05G 2700/00;  
E05G 2700/02; E05G 2700/04; E07D  
11/0006; G07D 11/0009; G07D 11/009;  
G07D 9/002; G07D 9/004; G07D 9/008;  
G07F 9/06; G07F 9/003; G07F 17/10;  
G07F 17/105

See application file for complete search history.

(56) **References Cited**

**U.S. PATENT DOCUMENTS**

D357,117 S \* 4/1995 Huang ..... D3/276  
D399,632 S \* 10/1998 Davis ..... D99/28  
6,405,861 B1 \* 6/2002 Siler ..... F41C 33/06  
206/1.5

D474,596 S \* 5/2003 Osiecki ..... D3/273  
6,752,092 B2 \* 6/2004 Beattie ..... E05G 1/024  
109/74  
6,843,081 B1 \* 1/2005 Painter ..... F41C 33/06  
42/70.11

(Continued)

**OTHER PUBLICATIONS**

RPNB Gun Safe, California DOJ Certified Quick-Access Pistol Safe for Multiple Handguns&Ammo with Biometric Fingerprint Lock or RFID Lock, Auto-Open Lid Safety Device for 2 Guns, <https://www.amazon.com/RPNB-Quick-Access-Firearm-Safety-Personal/dp/B07S8S9KCW?&linkCode>, May 27, 2019. (Year: 2019).\*

(Continued)

*Primary Examiner* — Elizabeth J Oswecki

(74) *Attorney, Agent, or Firm* — Leason Ellis LLP

(57) **CLAIM**

The ornamental design for a pistol box, as shown and described.

**DESCRIPTION**

FIG. 1 is a front, left and top side perspective view of a pistol box showing my new design; FIG. 2 is a rear, right and top side perspective view thereof; FIG. 3 is a front elevational view thereof; FIG. 4 is a rear elevational view thereof; FIG. 5 is a left side elevational view thereof; FIG. 6 is a right side elevational view thereof; FIG. 7 is a top plan view thereof; FIG. 8 is a bottom plan view thereof; and, FIG. 9 is an enlarged portion view of the encircled portion labeled, "FIG. 9," in FIG. 1.

The dashed-dot circles show the boundary of the enlarged portion view of FIG. 9 in FIGS. 1 and 9 and form no part of the claimed design. The even dashed broken lines illustrating the remainder of the pistol box represent unclaimed subject matter and form no part of the claimed design.

**1 Claim, 9 Drawing Sheets**

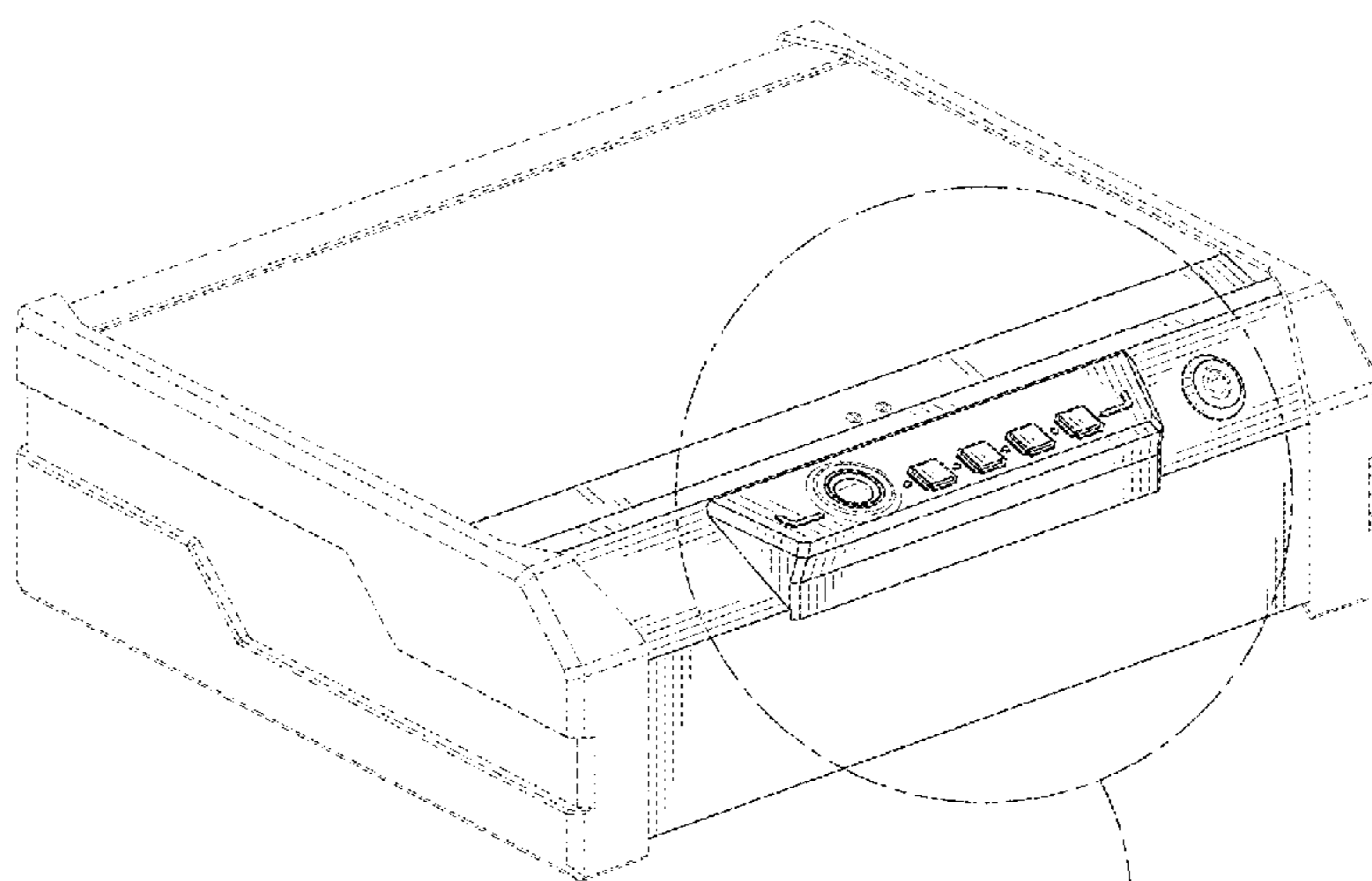


FIG. 9

(56)

References Cited

U.S. PATENT DOCUMENTS

7,025,203 B2 \* 4/2006 Schonenbach ..... F41C 33/06  
206/478  
D541,045 S \* 4/2007 Peart ..... D99/28  
D542,529 S \* 5/2007 Peart ..... D3/276  
D558,977 S \* 1/2008 Peart ..... D99/28  
D561,994 S \* 2/2008 Peart ..... D99/28  
D569,073 S \* 5/2008 Osiecki ..... D99/28  
D571,524 S \* 6/2008 Kang ..... D99/28  
7,546,920 B1 \* 6/2009 Horn ..... F41C 33/06  
206/317  
D616,200 S \* 5/2010 Riedel ..... D3/905  
D624,275 S \* 9/2010 Min ..... D99/28  
D635,324 S \* 3/2011 Plato ..... D99/28  
D651,785 S \* 1/2012 Martin ..... D99/28  
D677,855 S \* 3/2013 Eick ..... D99/35  
8,474,923 B2 \* 7/2013 Pendleton ..... E05G 1/02  
312/305  
D714,015 S \* 9/2014 Hyde ..... D99/28  
D732,265 S \* 6/2015 Osiecki ..... D99/28  
D749,846 S \* 2/2016 Koeniger ..... D3/905  
D772,522 S \* 11/2016 Henderson ..... D99/28  
D800,989 S \* 10/2017 Lucido ..... D99/28  
D803,508 S \* 11/2017 Horn ..... D99/28  
D817,589 S \* 5/2018 Culbreth ..... D99/28  
10,060,177 B2 \* 8/2018 Smith ..... A47B 81/002  
D866,913 S \* 11/2019 Xu ..... D99/28  
D893,123 S \* 8/2020 Yu ..... D99/28  
D895,225 S \* 9/2020 Smith ..... D99/28

2003/0041787 A1 \* 3/2003 Gerstenkorn ..... A47B 81/005  
109/73  
2004/0045329 A1 \* 3/2004 Farnham ..... E05B 73/0005  
70/161  
2012/0298018 A1 \* 11/2012 McCabe ..... E05B 17/0025  
109/51

OTHER PUBLICATIONS

Biometric Pistol Safe, Gun Safes for 2 Pistols, Quick-Access Handgun Safe with Fingerprint/Password/Key Access, LED, Mute Mode, Ideal for Small Drawer, Nook, Nightstand, Office, Backpack or Car, <https://www.amazon.com/Poloma-Biometric-Fingerprint-Bedside-Nightstand/dp/B08T9L7XDZ>, Jan. 18, 2021. (Year: 2021).  
WINCENT Biometric Gun Safe, Quick Access Gun Safes for Pistols with Fingerprint & Keypad Lock—Two Guns Capacity—Firearm Pistol Safe Box with Auto Open Lid Pneumatic Rod, <https://www.amazon.com/WINCENT-Biometric-Pistols-Fingerprint-Capacity/dp/B08P44SVFS>, Nov. 25, 2020. (Year: 2020).  
SentrySafe Quick Access 1-Gun Electronic/Keypad Gun Safe, <https://www.lowes.com/pd/SentrySafe-Quick-Access-1-Gun-Electronic-Keypad-Gun-Safe/1000129573>, copyright 2022. (Year: 2022).  
Gun Safe, Fingerprint Lock Box .Biometric Gun Safety Smart Pistol, Safety Gun Equipment With Automatic Opening Lid, <https://www.walmart.com/ip/Gun-Safe-Fingerprint-Lock-Box-Biometric-Gun-Safety-Smart-Pistol-Safety-Gun-Equipment-With-Automatic-Opening-Lid/171418603>, copyright 2022. (Year: 2022).  
Design U.S. Appl. No. 29/747,586, filed Aug. 24, 2020.

\* cited by examiner

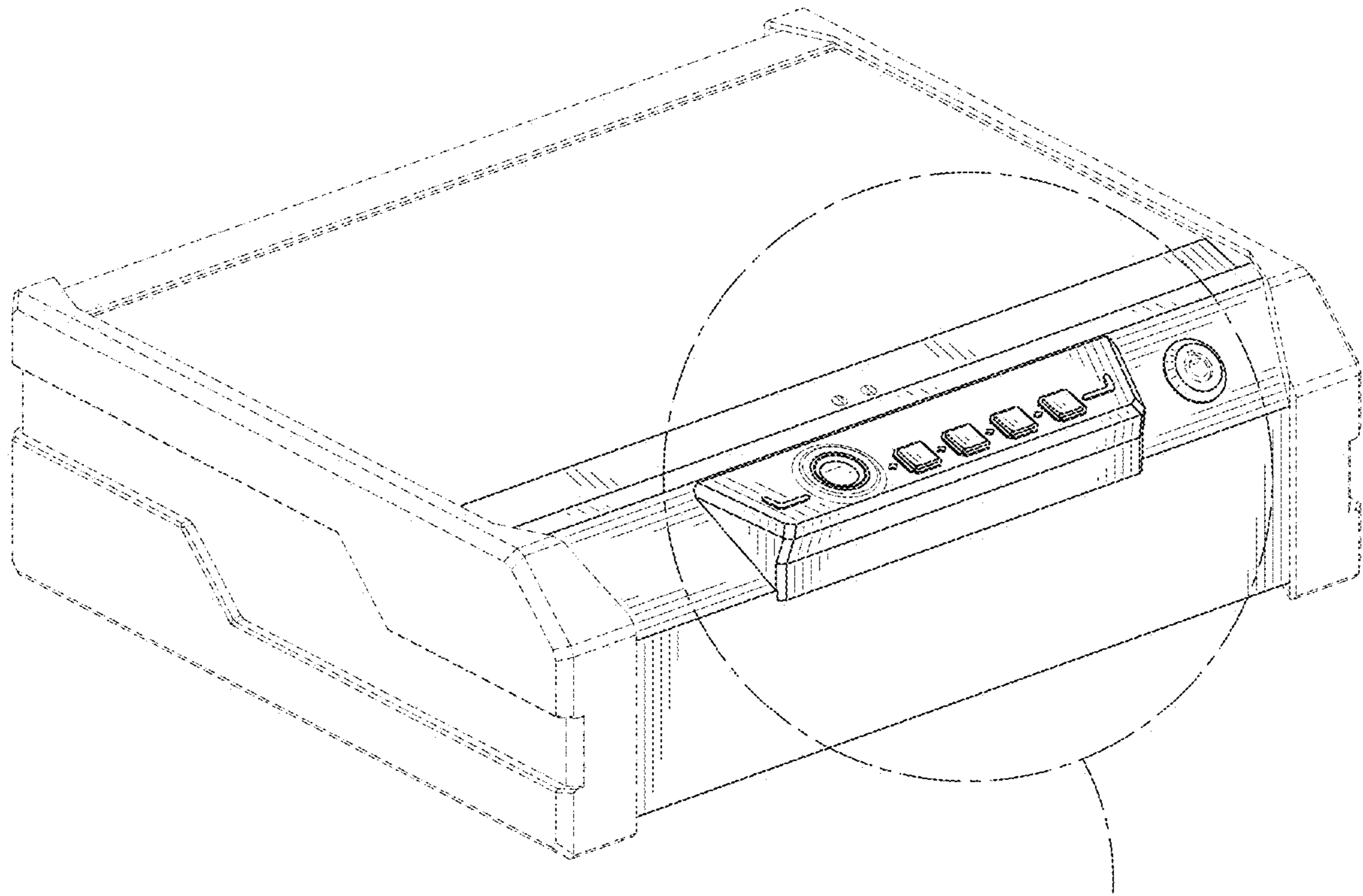


FIG. 9

FIG. 1

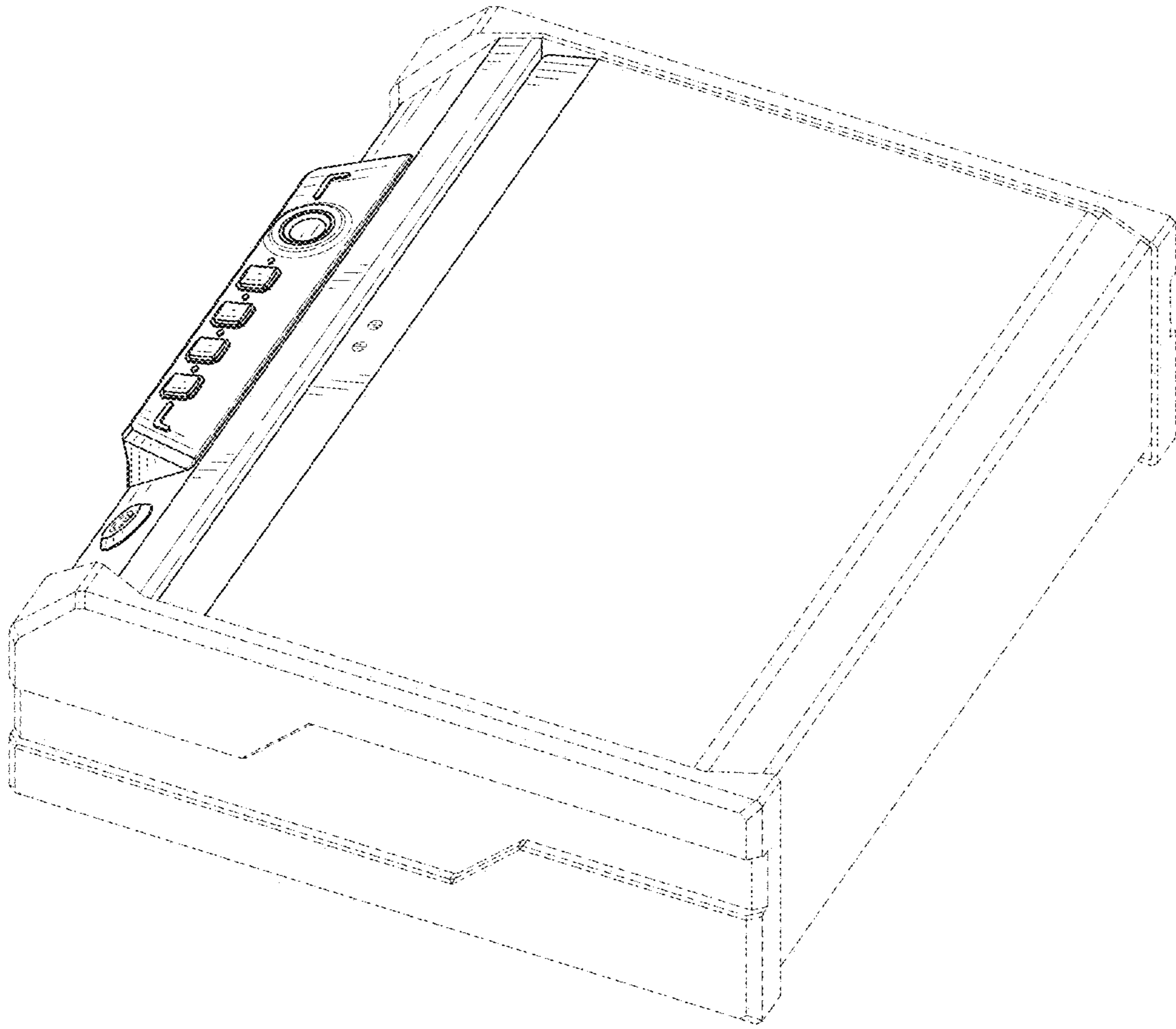


FIG. 2

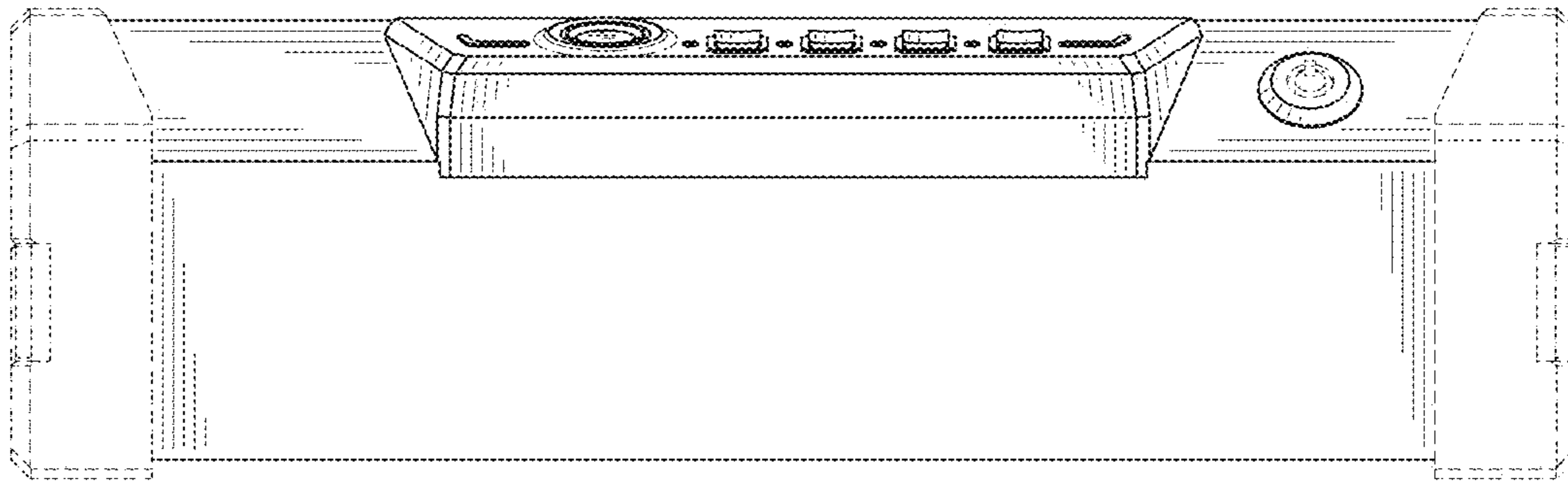


FIG. 3

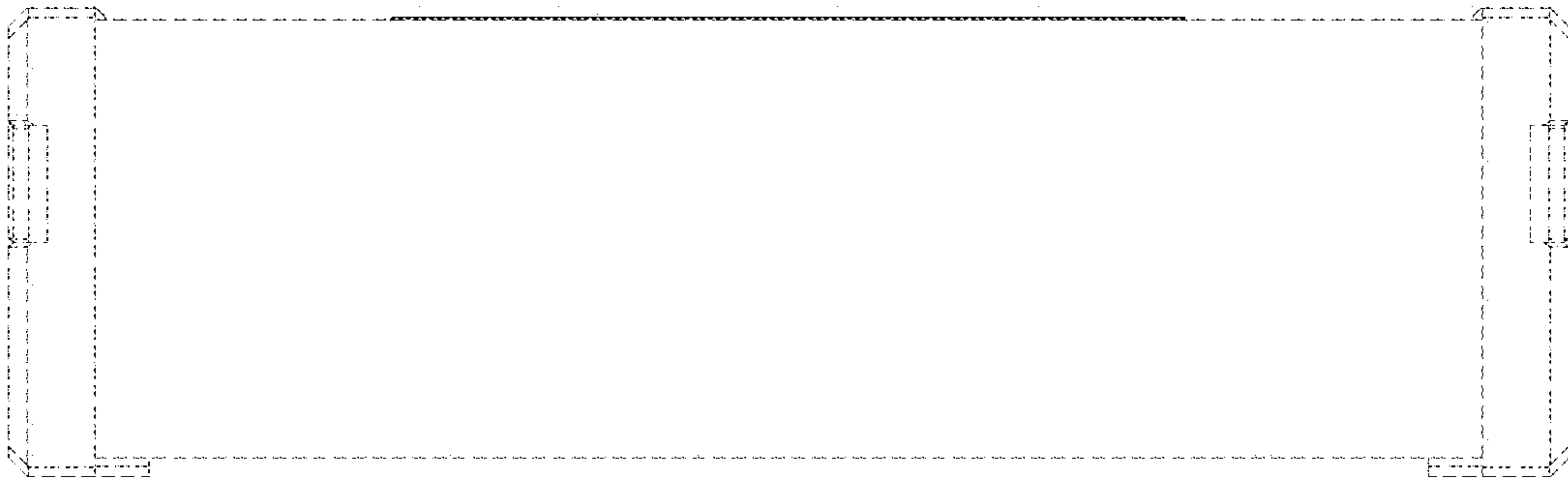


FIG. 4

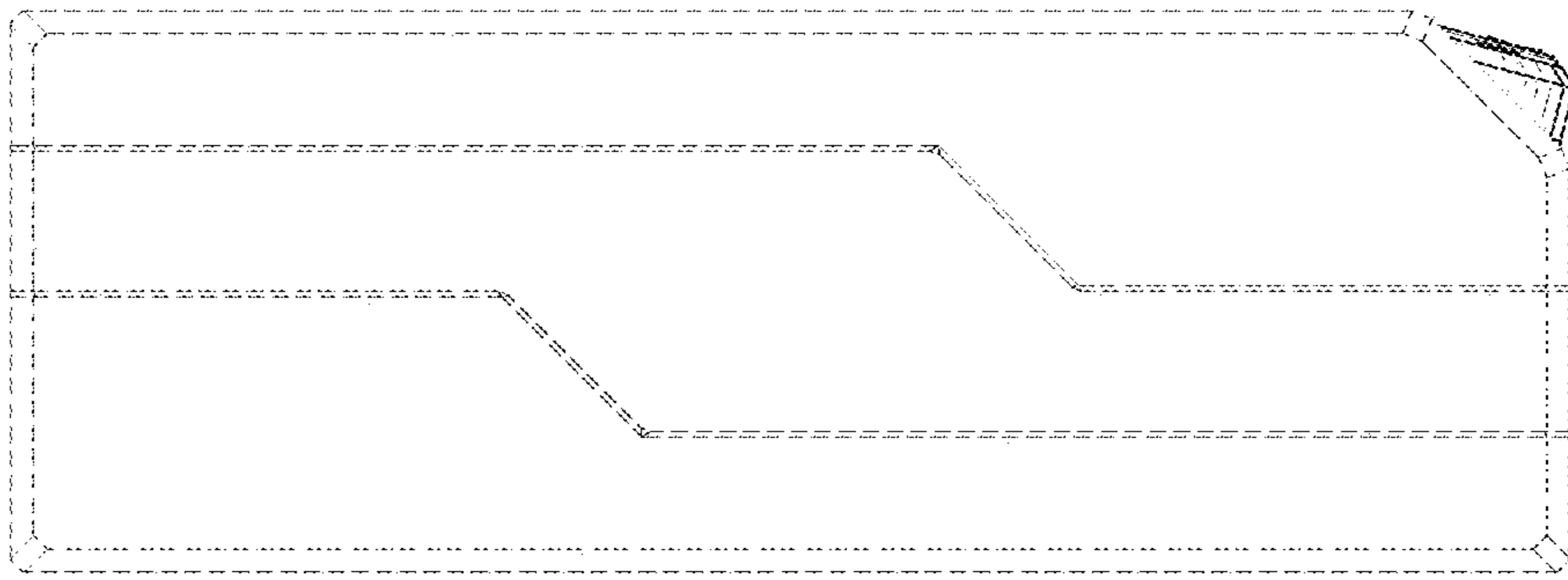


FIG. 5

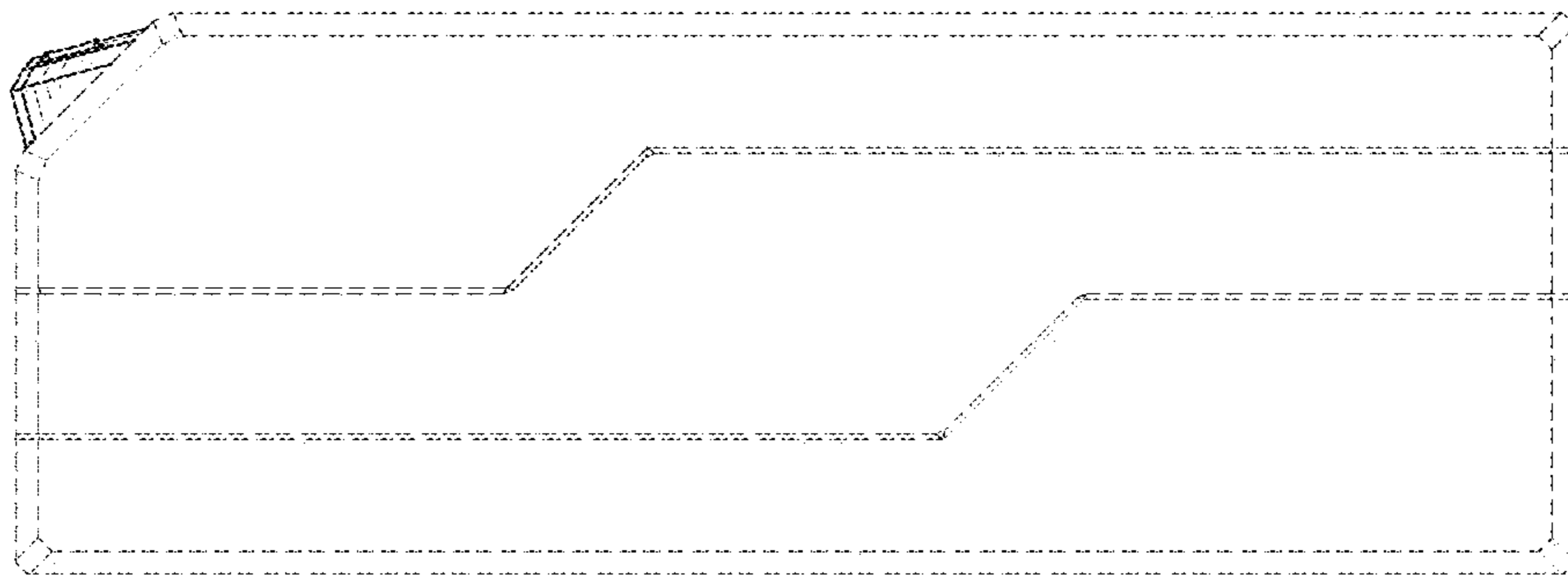


FIG. 6



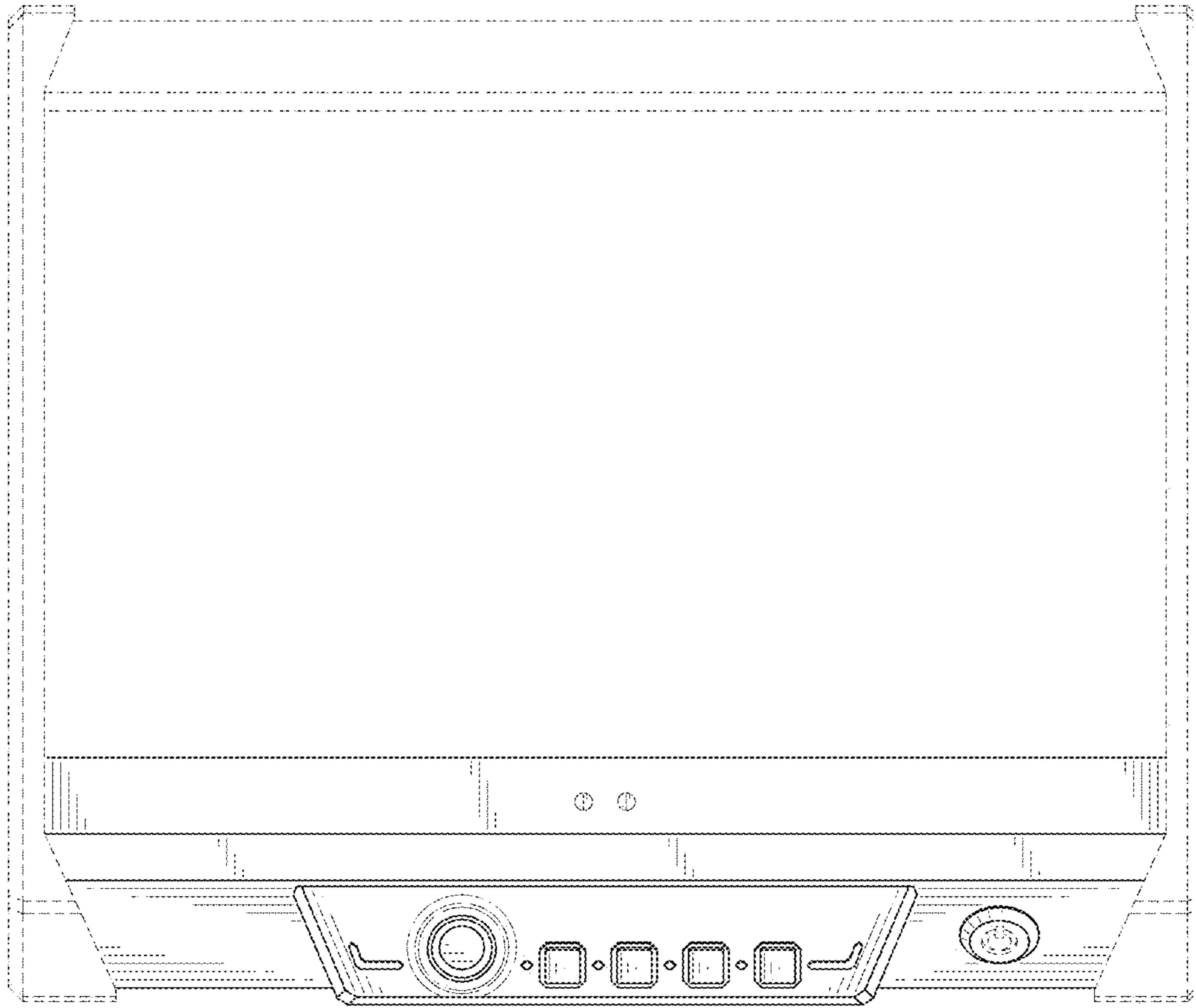


FIG. 7

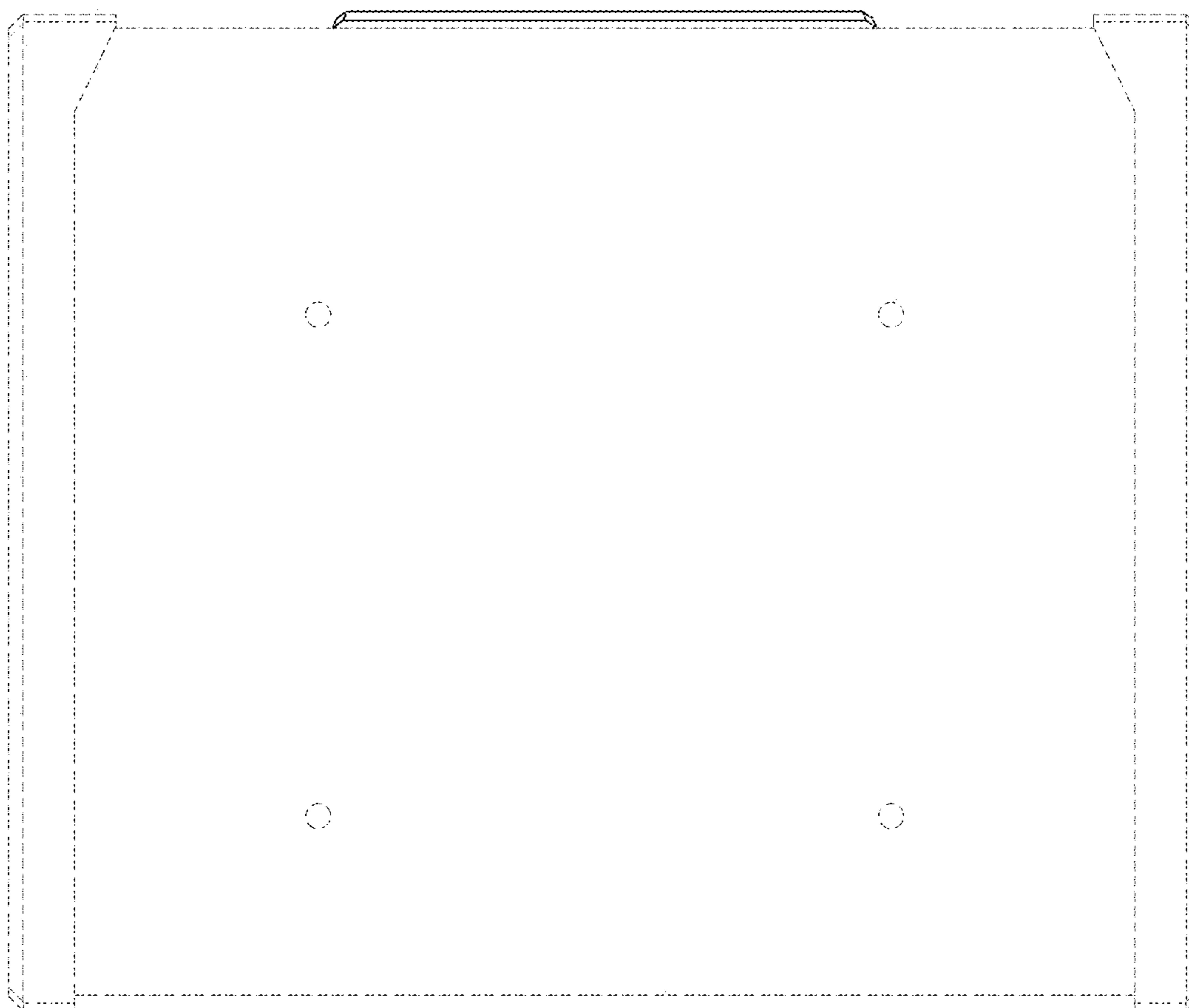


FIG. 8

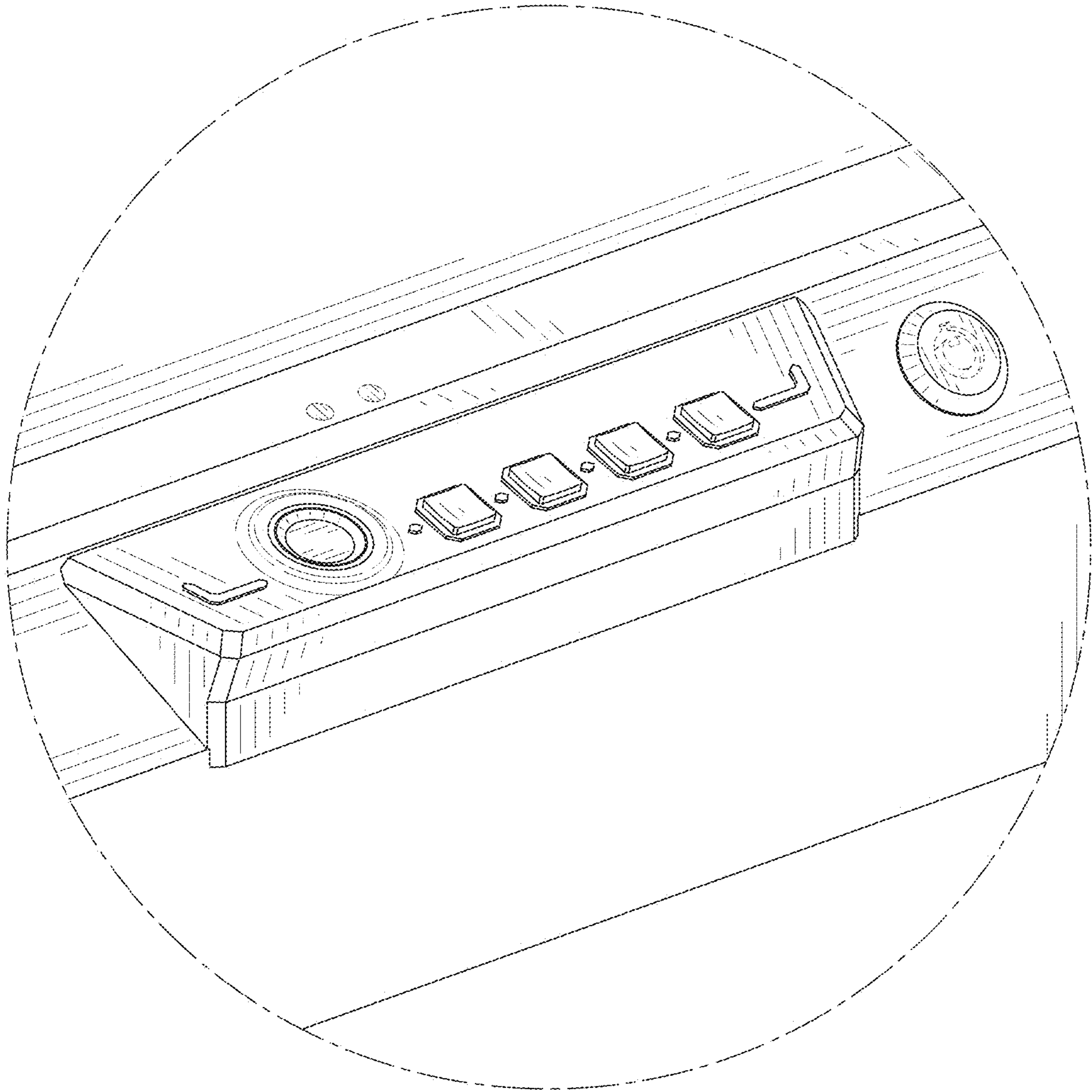


FIG. 9