

US00D962584S

(12) **United States Design Patent** (10) **Patent No.:** **US D962,584 S**
Jiandong et al. (45) **Date of Patent:** **** Aug. 30, 2022**

(54) **PALLET TRUCK TILLER MODULE**

(71) Applicant: **Big Lift, LLC**, Lombard, IL (US)

(72) Inventors: **Yu Jiandong**, Hangzhou (CN); **Lin Zuqian**, Hangzhou (CN); **Xu Minghui**, Hangzhou (CN); **Huang Chao**, Hangzhou (CN); **Ma Qichen**, Hangzhou (CN)

(73) Assignee: **ZHEJIANG E-P EQUIPMENT CO., LTD.**

(**) Term: **15 Years**

(21) Appl. No.: **29/687,864**

(22) Filed: **Apr. 16, 2019**

(51) **LOC (13) Cl.** **12-05**

(52) **U.S. Cl.**
USPC **D34/35**

(58) **Field of Classification Search**

USPC D34/12-20, 23-28, 33-35, 37; D15/10, D15/23-33; D12/86, 90-92, 106, 163, D12/164, 169, 171, 196, 216

CPC ... B62B 3/0612; B62B 3/0618; B62B 5/0069; B62B 5/0438; B62B 2203/20; B66F 9/22; B66F 9/085; B66F 9/186

See application file for complete search history.

(56) **References Cited**

U.S. PATENT DOCUMENTS

7,198,132	B2	4/2007	Gerbier et al.	
7,325,655	B2	2/2008	Lohmann et al.	
8,467,937	B2	6/2013	Hanna et al.	
8,833,736	B2 *	9/2014	Feiquan	B66F 9/22 414/664
D754,415	S *	4/2016	Liu	D34/34
9,421,963	B2	8/2016	Wetterer et al.	
D767,236	S *	9/2016	Meng	D34/34
D770,719	S *	11/2016	He	D34/34

(Continued)

Primary Examiner — Mark A Goodwin

(74) *Attorney, Agent, or Firm* — Cook Alex Ltd.

(57) **CLAIM**

We claim the ornamental design for a pallet truck tiller module, as shown and described.

DESCRIPTION

FIG. 1 is a left upper front perspective view of a pallet truck tiller module according to our new design;

FIG. 2 is a right upper front perspective view of the embodiment in FIG. 1;

FIG. 3 is a left upper rear perspective view of the embodiment in FIG. 1;

FIG. 4 is a right upper rear perspective view of the embodiment in FIG. 1;

FIG. 5 is a left lower front perspective view of the embodiment of FIG. 1;

FIG. 6 is a right lower front perspective view of the embodiment of FIG. 1;

FIG. 7 is a left lower rear perspective view of the embodiment of FIG. 1;

FIG. 8 is a right lower rear perspective view of the embodiment of FIG. 1;

FIG. 9 is a front elevational view of the embodiment in FIG. 1;

FIG. 10 is a rear elevational view of the embodiment in FIG. 1;

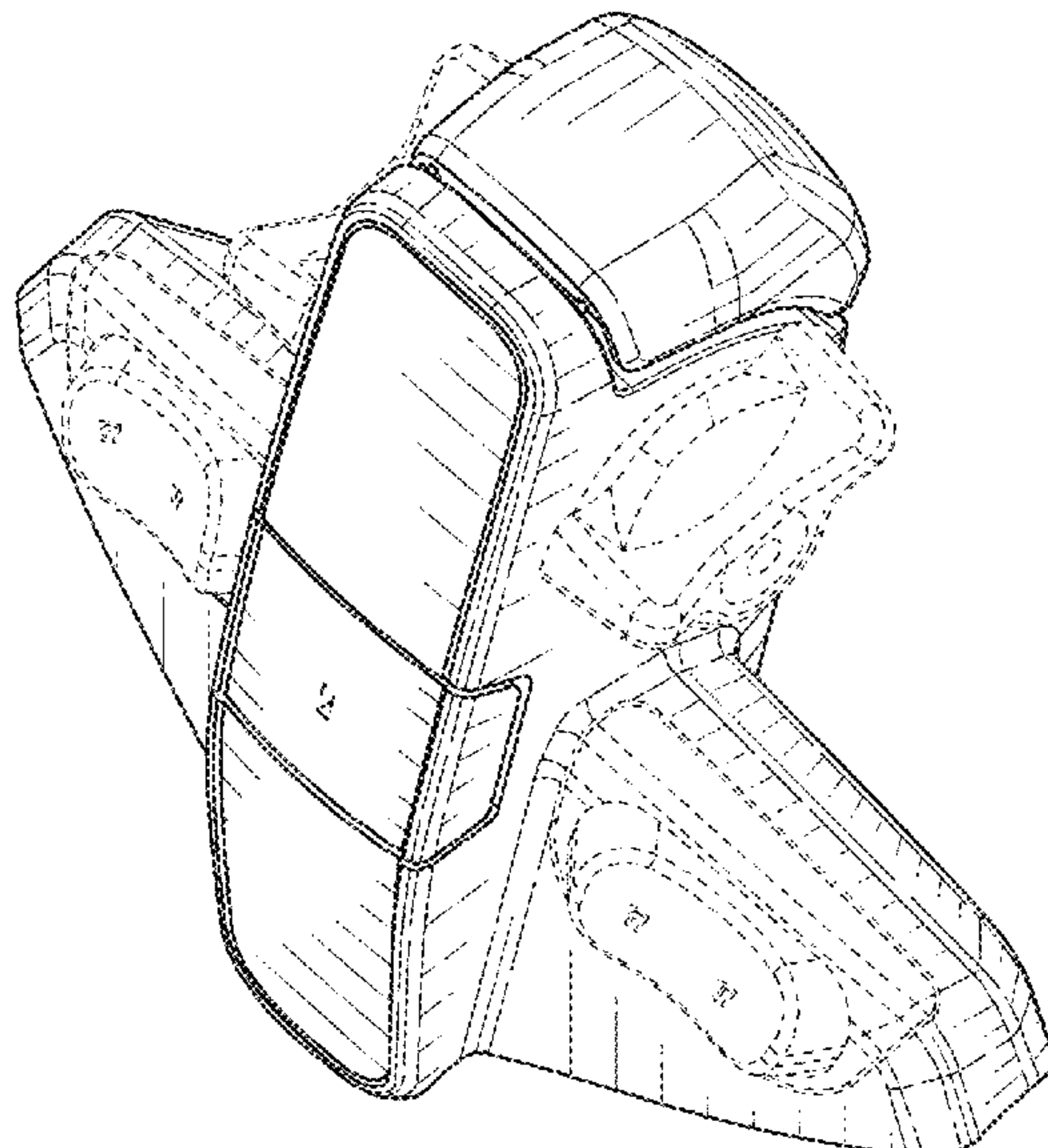
FIG. 11 is a left side elevational view of the embodiment in FIG. 1;

FIG. 12 is a right side elevational view of the embodiment in FIG. 1;

FIG. 13 is a top plan view of the embodiment in FIG. 1; and, FIG. 14 is a bottom plan view of the embodiment in FIG. 1.

The broken lines shown in the figures are included for the purpose of illustrating portions of the pallet truck tiller module and form no part of the claimed design.

1 Claim, 7 Drawing Sheets



(56)

References Cited

U.S. PATENT DOCUMENTS

9,586,605 B2 3/2017 He et al.
9,718,661 B1 8/2017 Hoffman
D801,616 S 10/2017 Qichen et al.
10,173,709 B2 1/2019 Zheng et al.
D872,965 S * 1/2020 Yuanwei D34/34
D874,083 S * 1/2020 Chao D34/34
10,538,422 B2 1/2020 Lijian et al.
10,730,728 B1 * 8/2020 Qichen H01M 50/249
10,787,351 B2 * 9/2020 Lili B66F 9/07531
10,836,620 B2 * 11/2020 Jiandong B62D 1/14
D903,970 S * 12/2020 Chao D34/34
D903,971 S * 12/2020 Chao D34/34
D903,972 S * 12/2020 Yuanwei D34/34
D903,973 S * 12/2020 Yuanwei D34/34
D915,721 S * 4/2021 White D34/34
D940,762 S * 1/2022 Stent D15/28
2007/0137904 A1 6/2007 Rose et al.
2014/0195127 A1 7/2014 Hoffman
2015/0102274 A1 4/2015 He et al.
2017/0267506 A1 9/2017 Frei et al.
2018/0009643 A1 1/2018 Hoffman
2019/0322507 A1 10/2019 Jiandong
2019/0322508 A1 10/2019 Lili et al.
2019/0322509 A1 10/2019 Jianming et al.

* cited by examiner

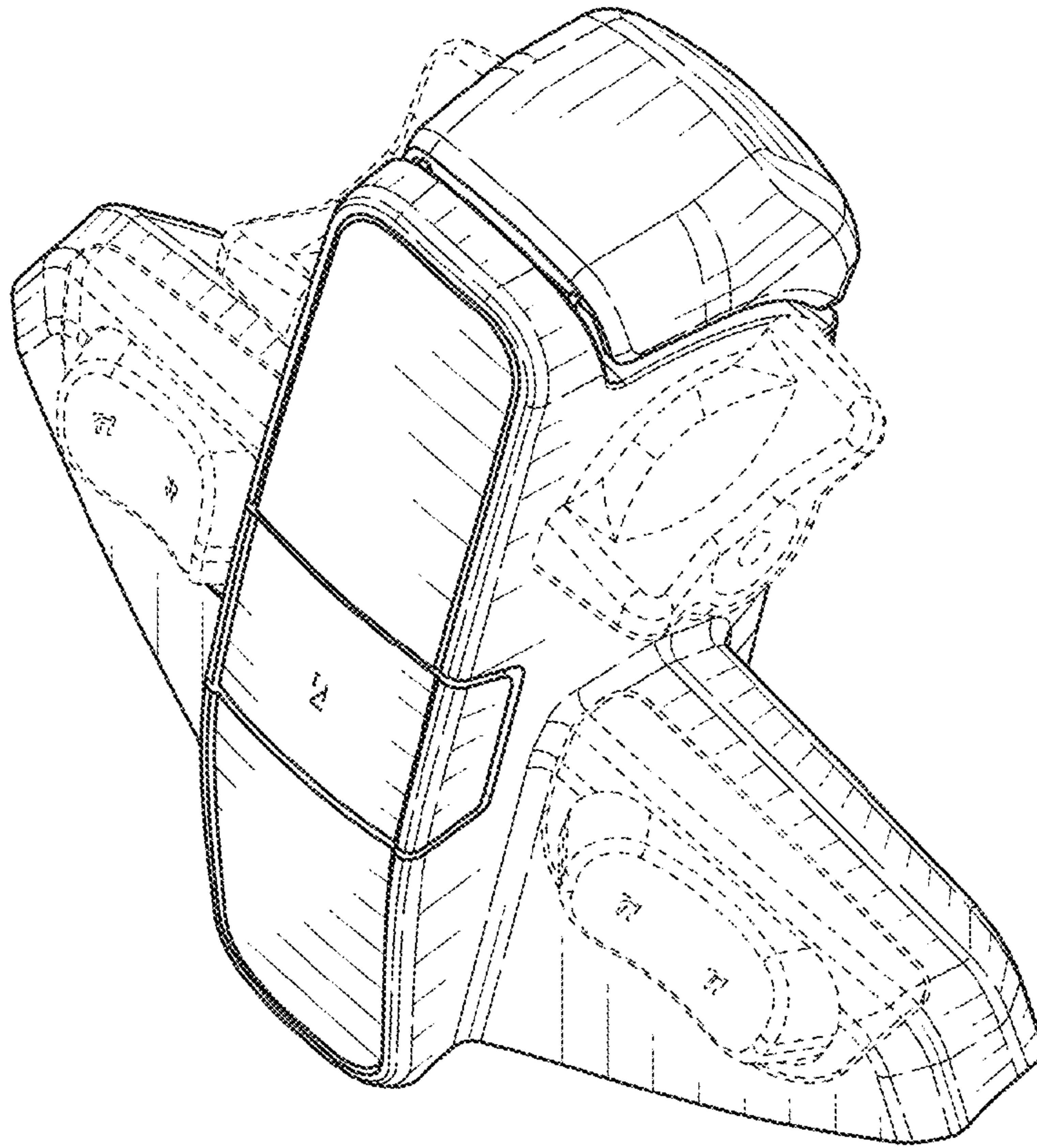


FIG. 1

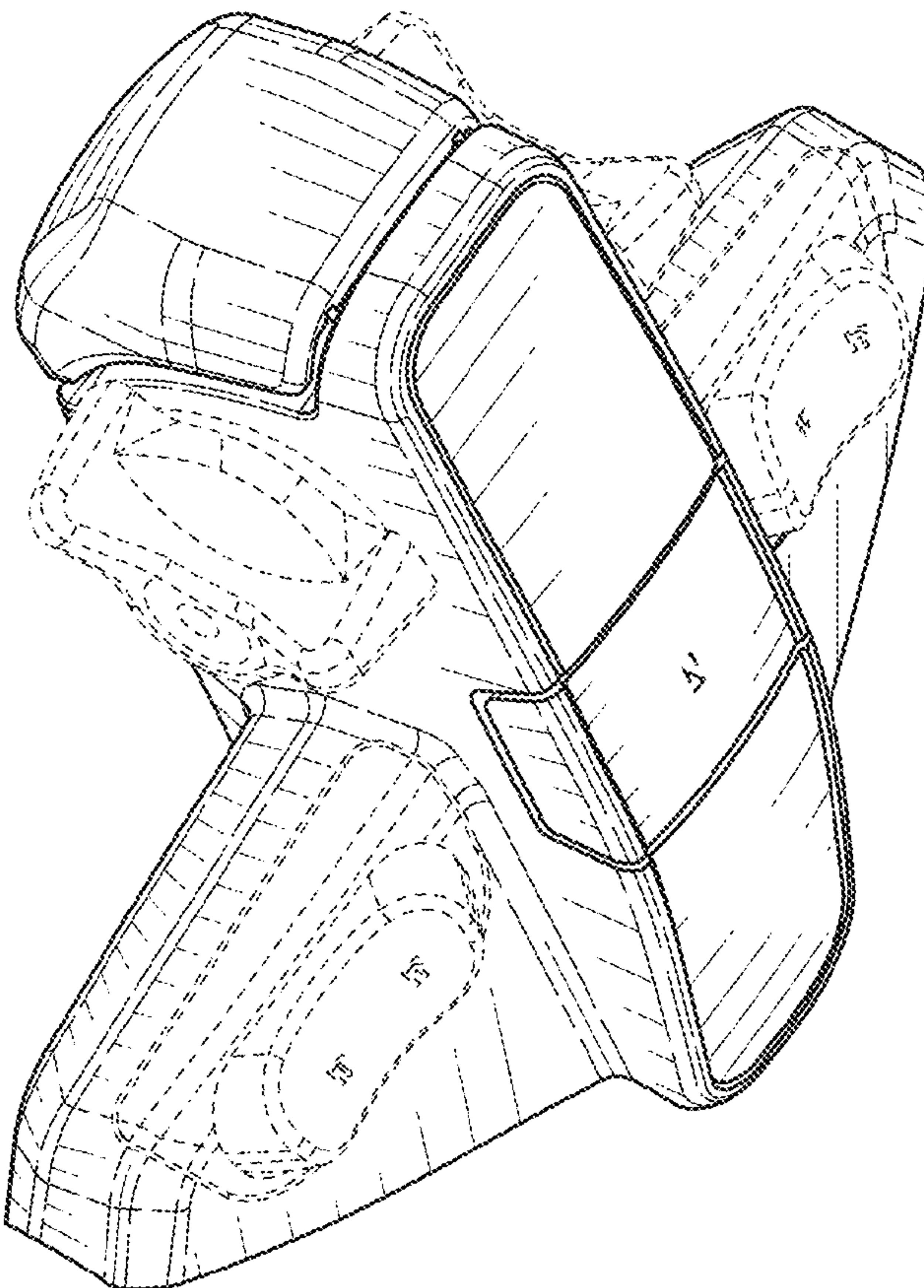


FIG. 2

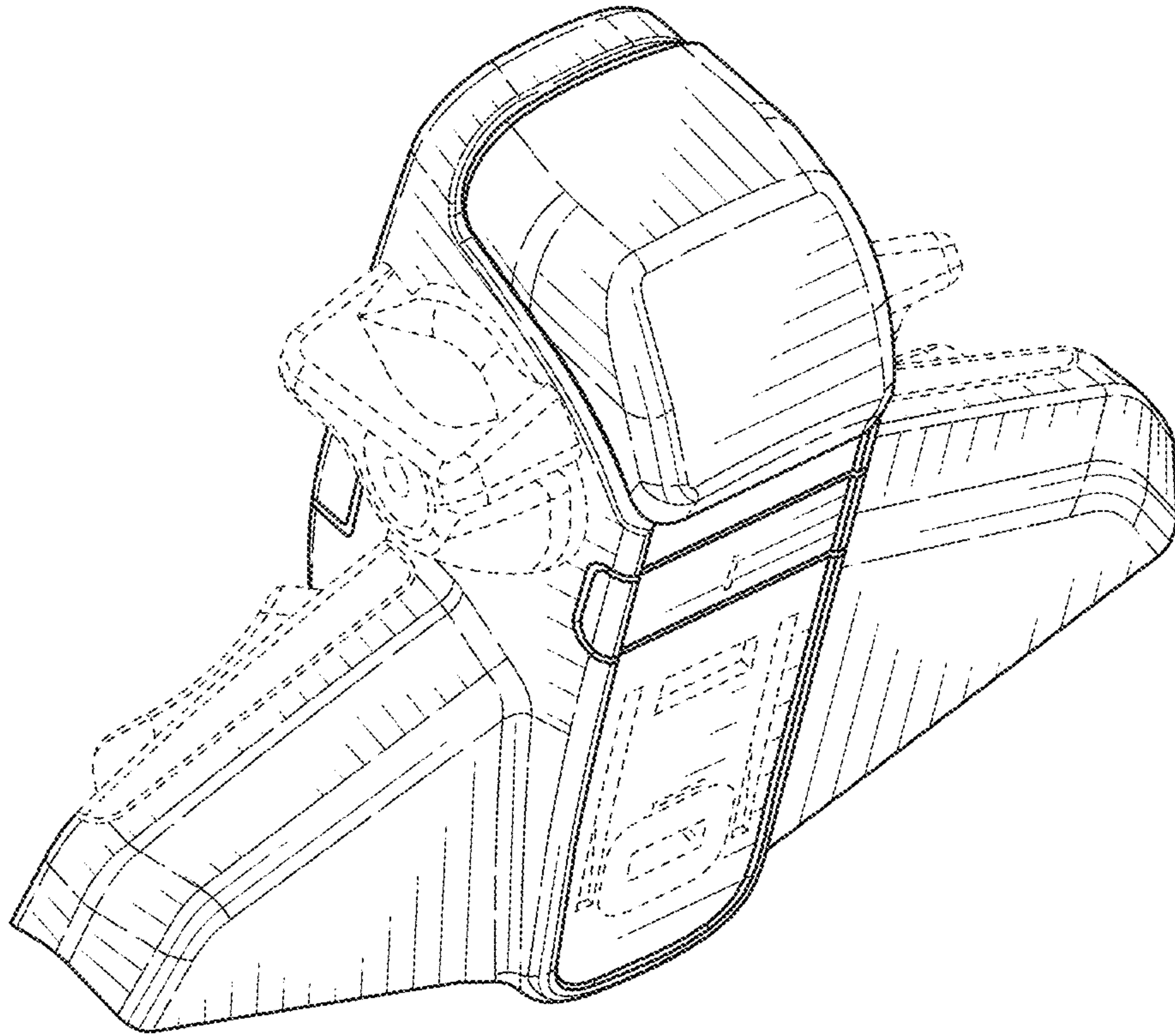


FIG. 3

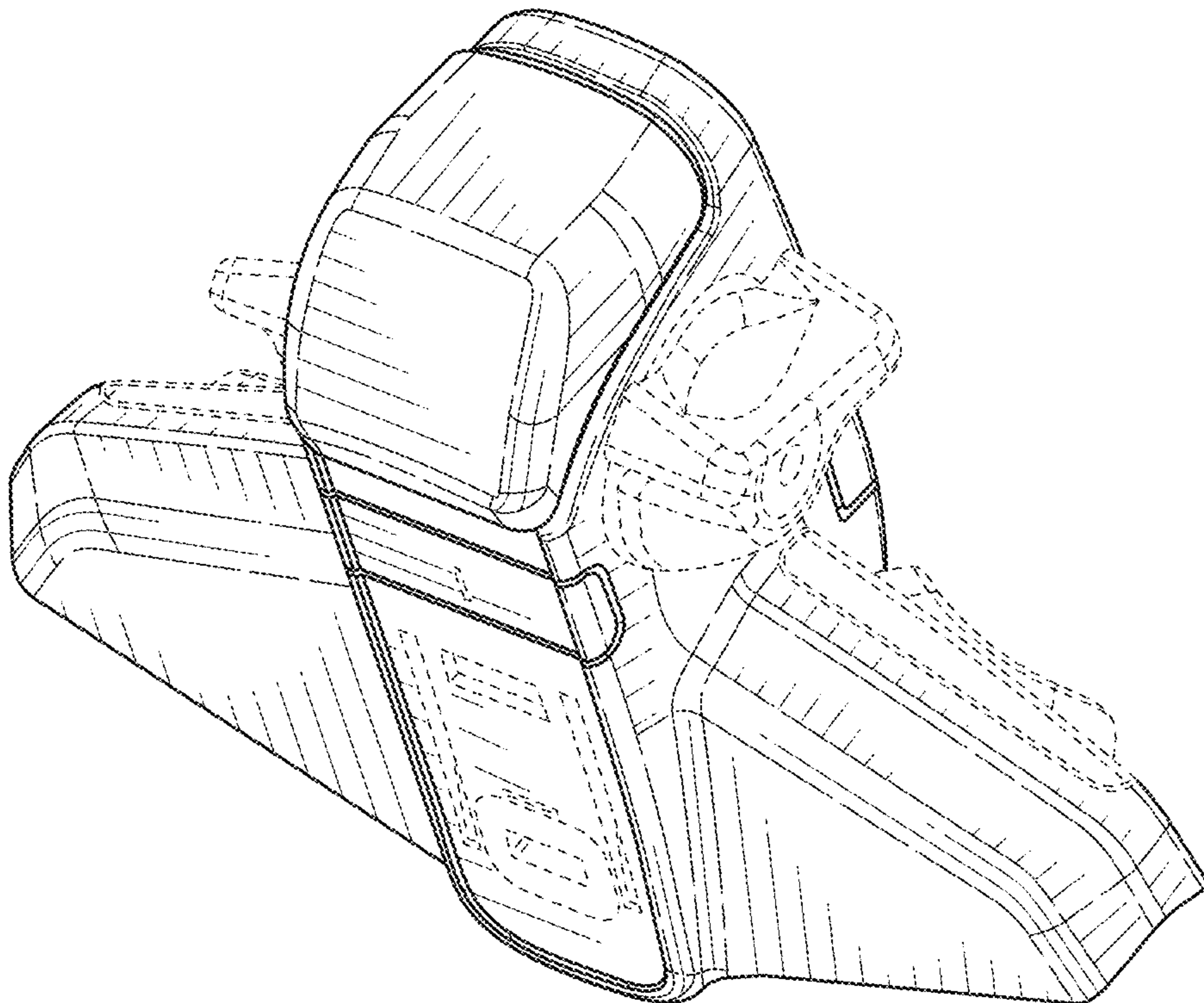


FIG. 4

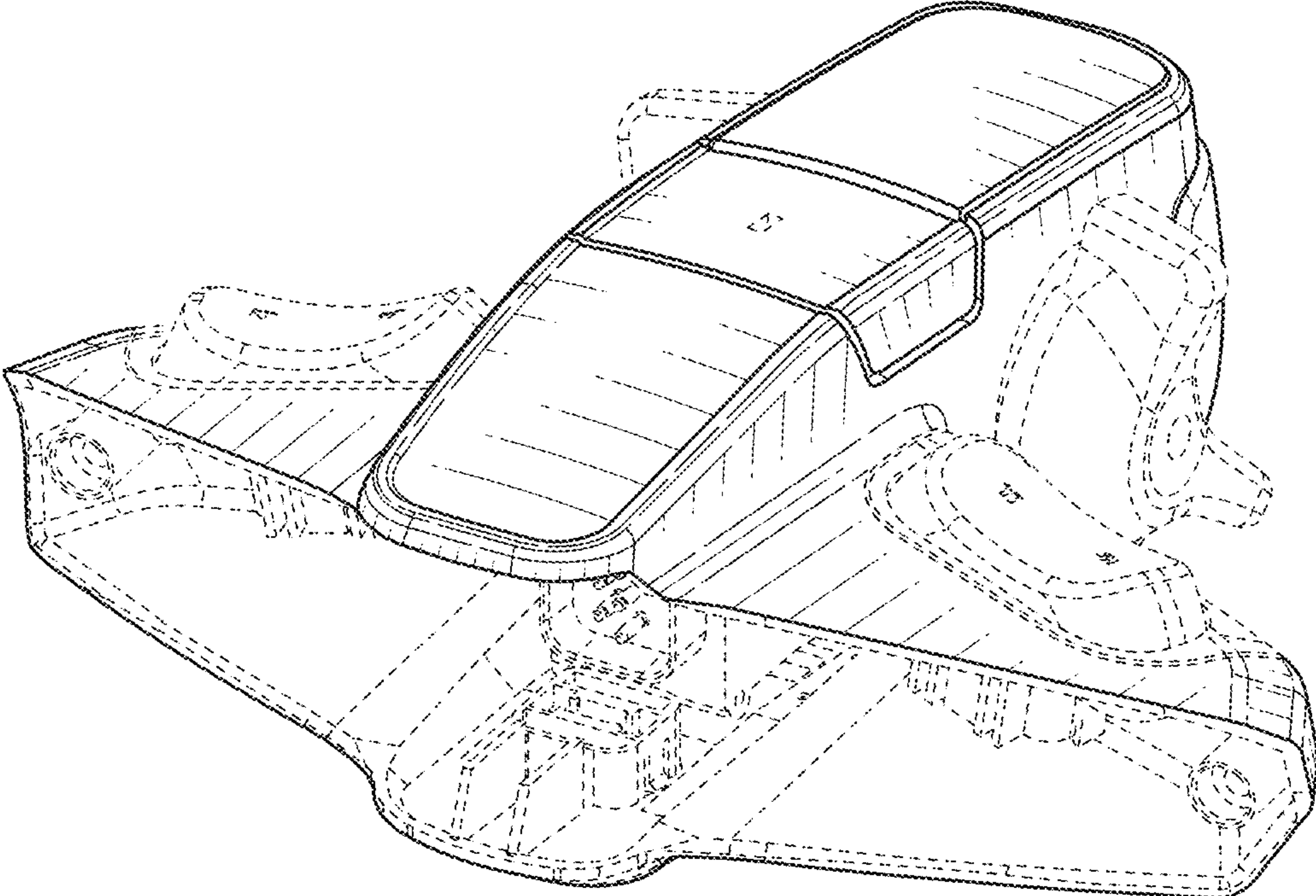


FIG. 5

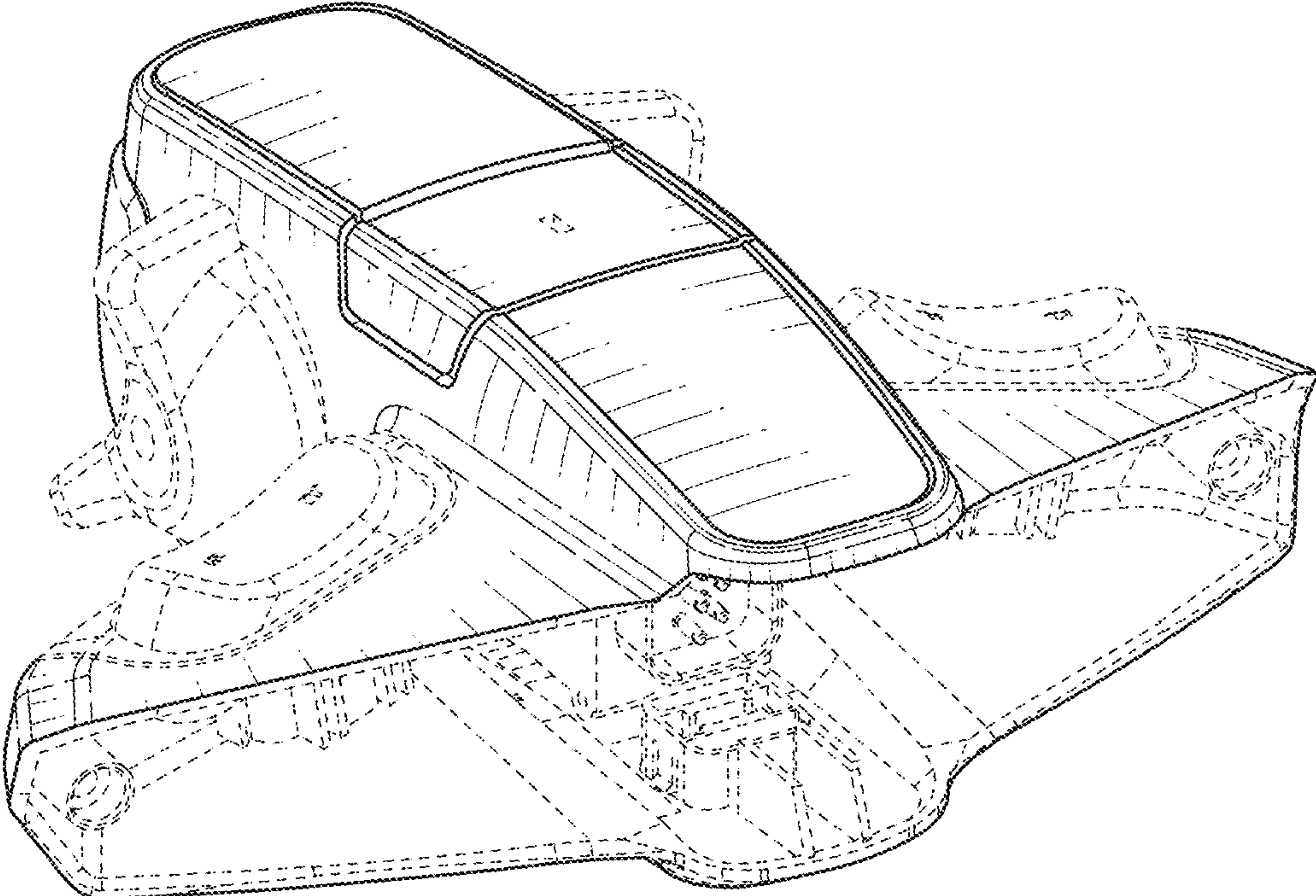


FIG. 6

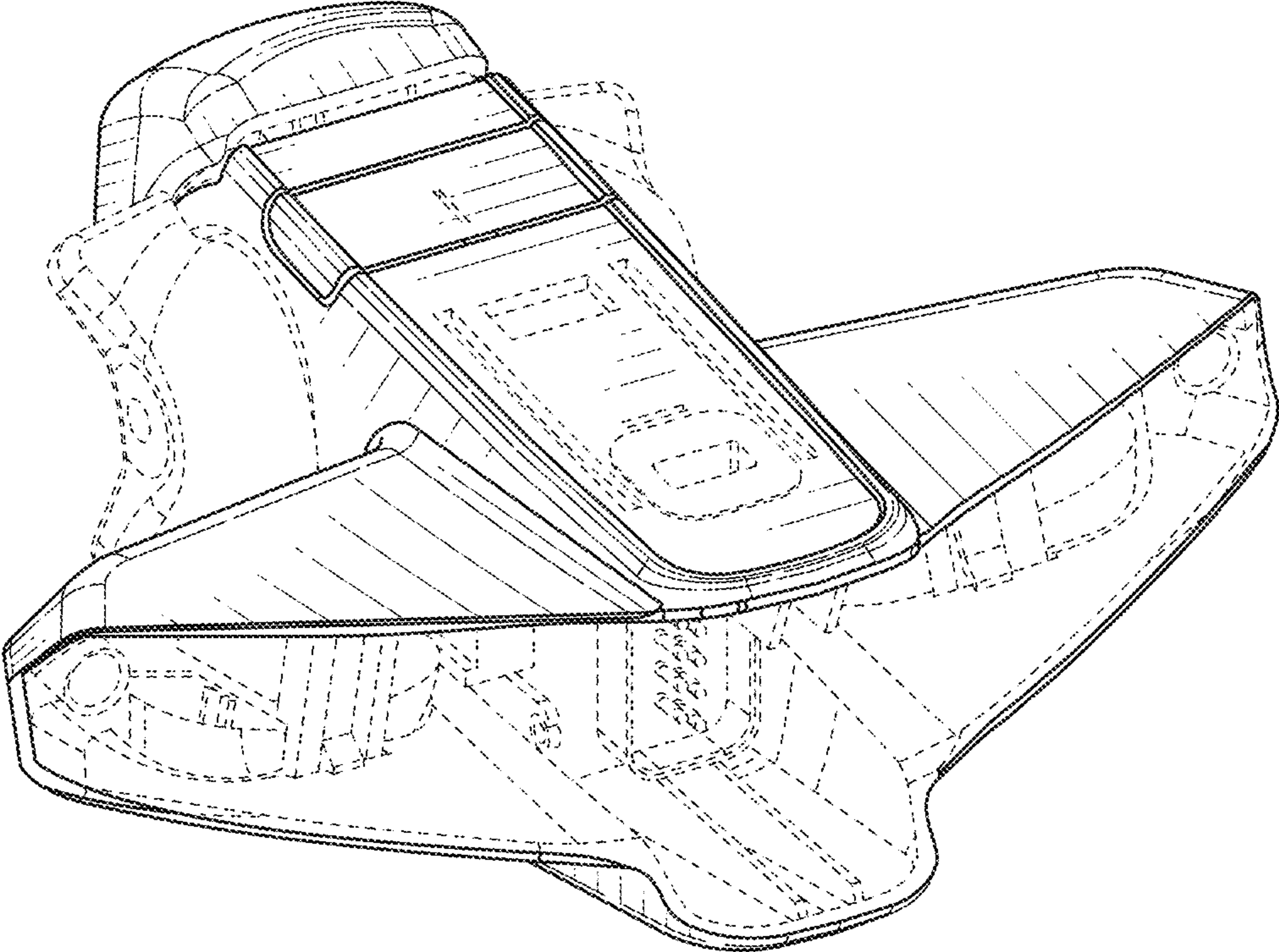


FIG. 7

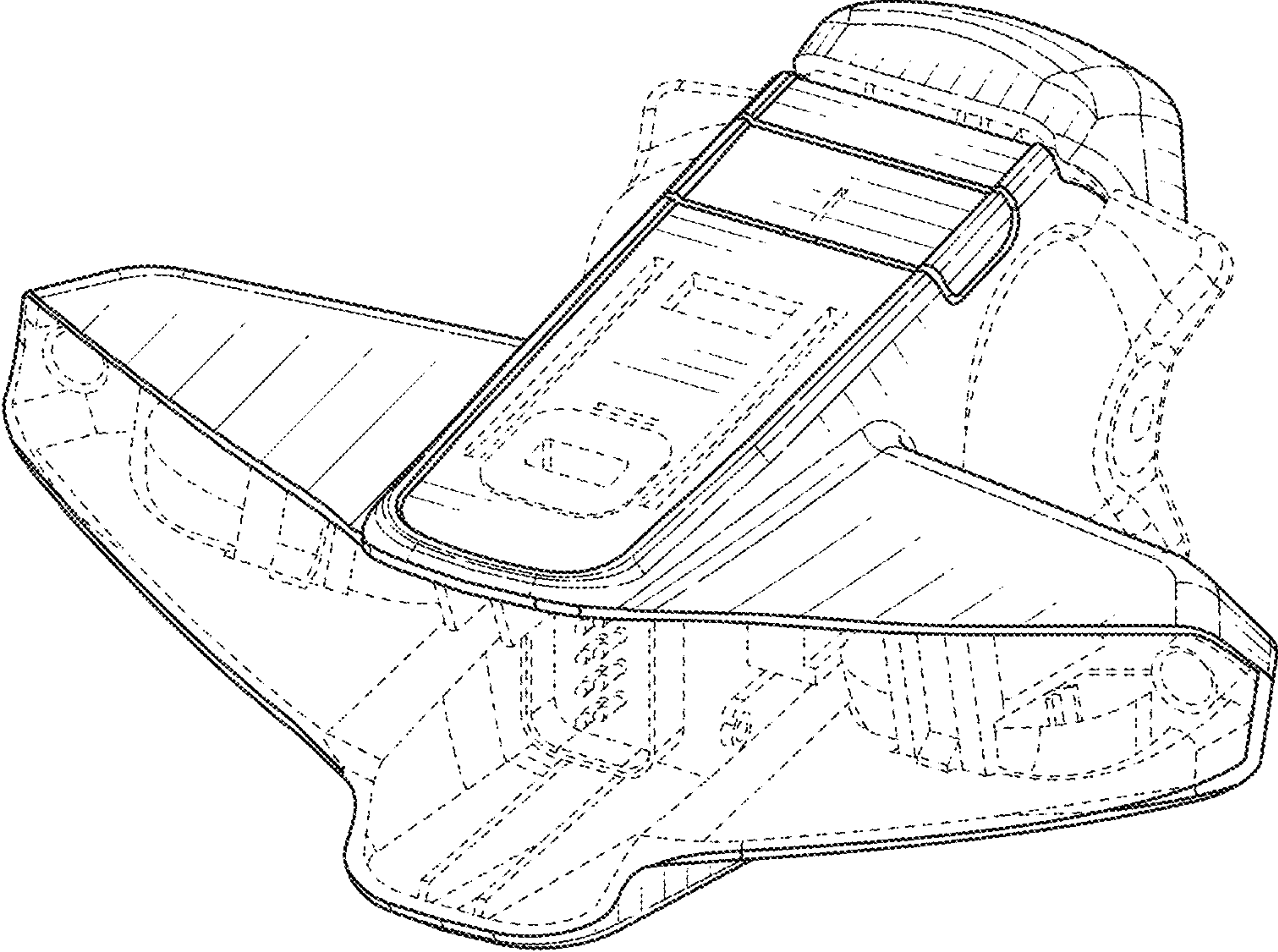


FIG. 8

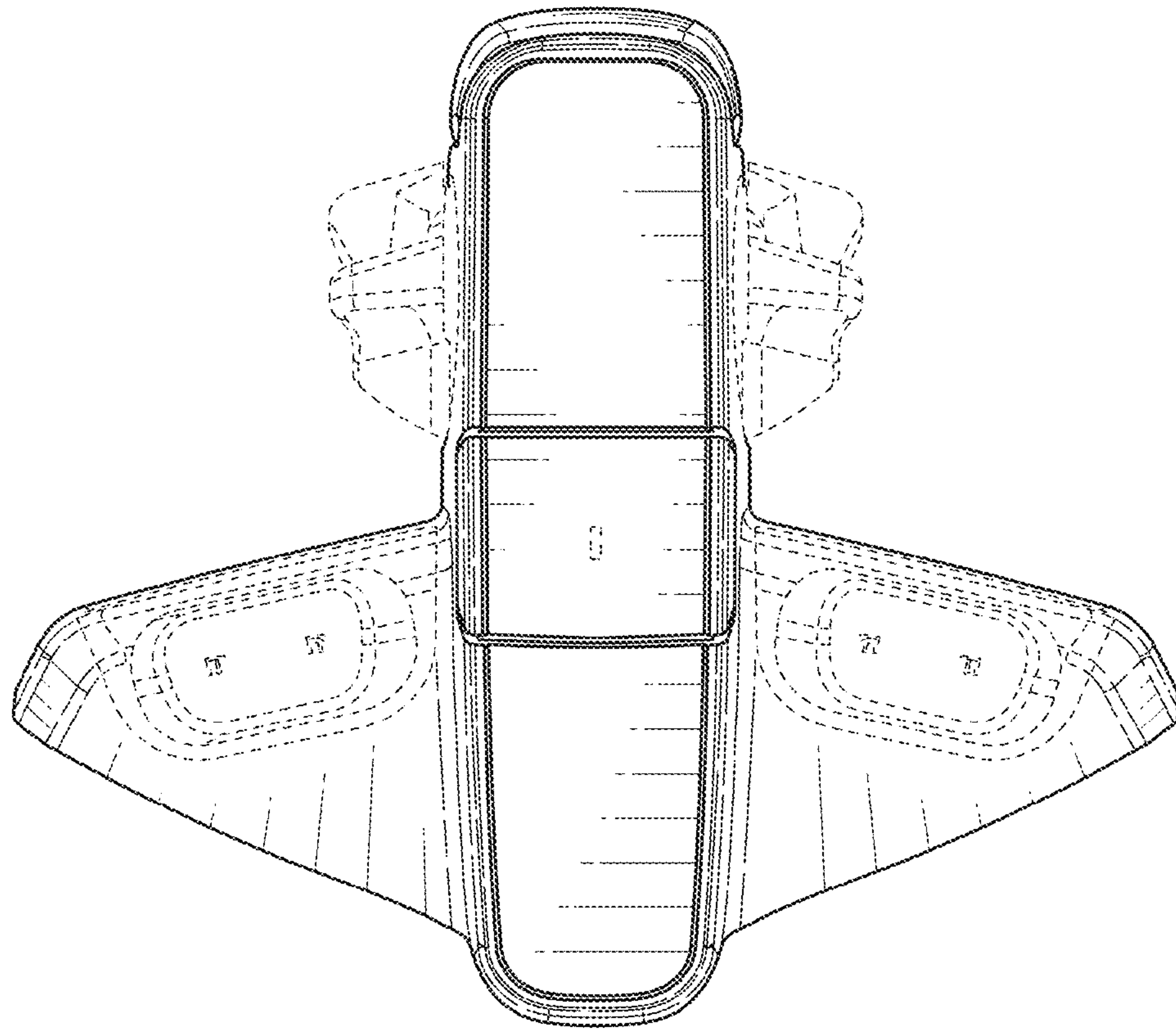


FIG. 9

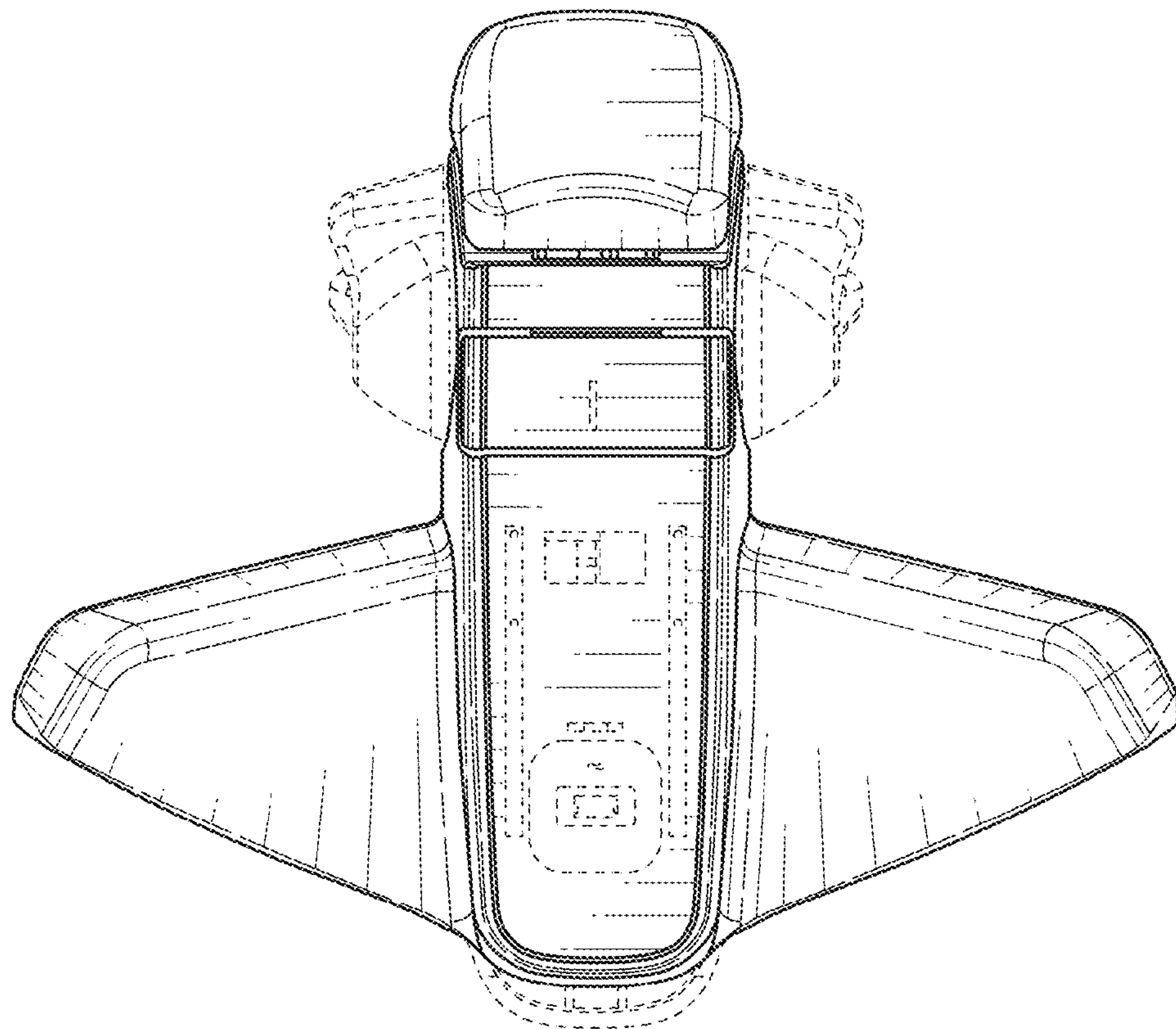


FIG. 10

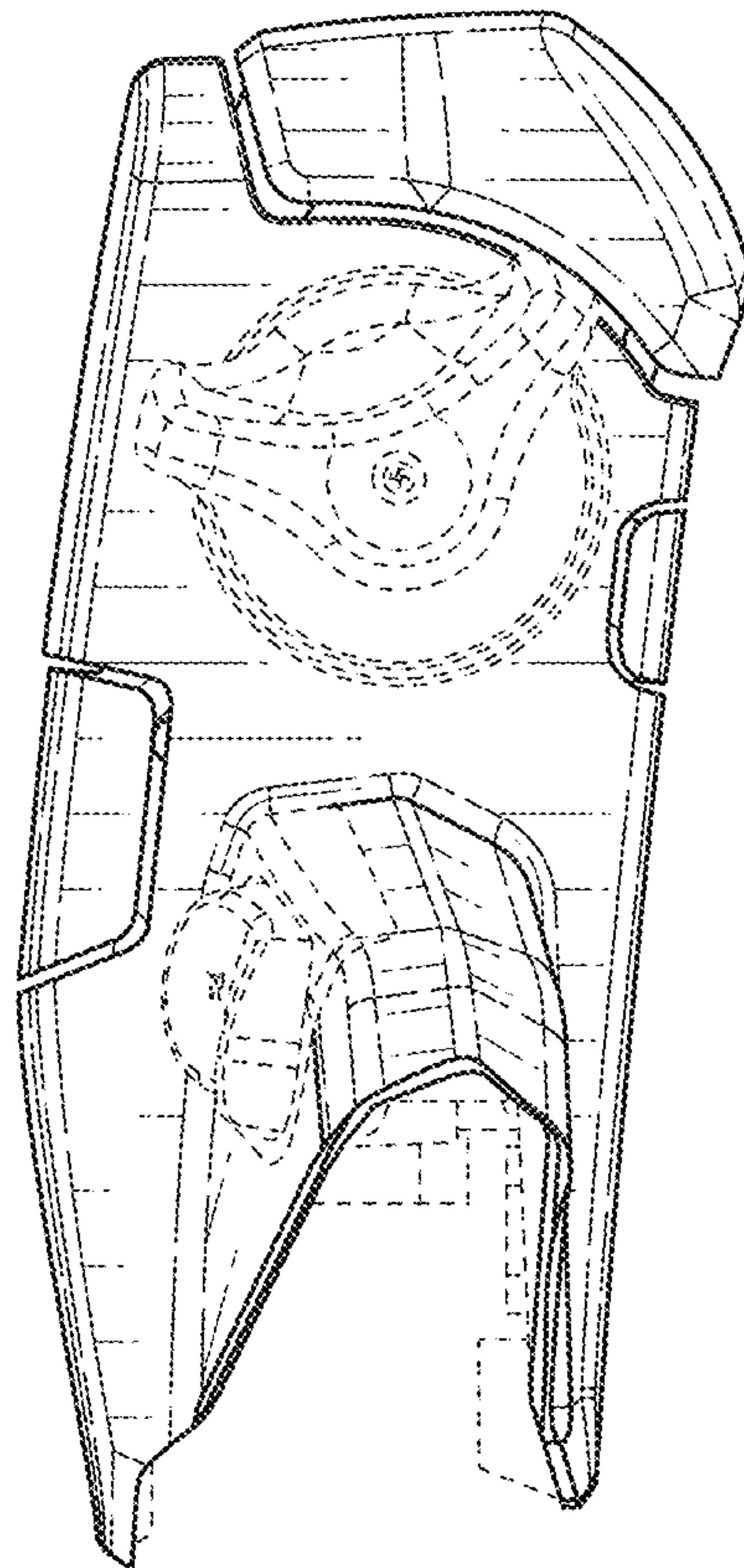


FIG. 11

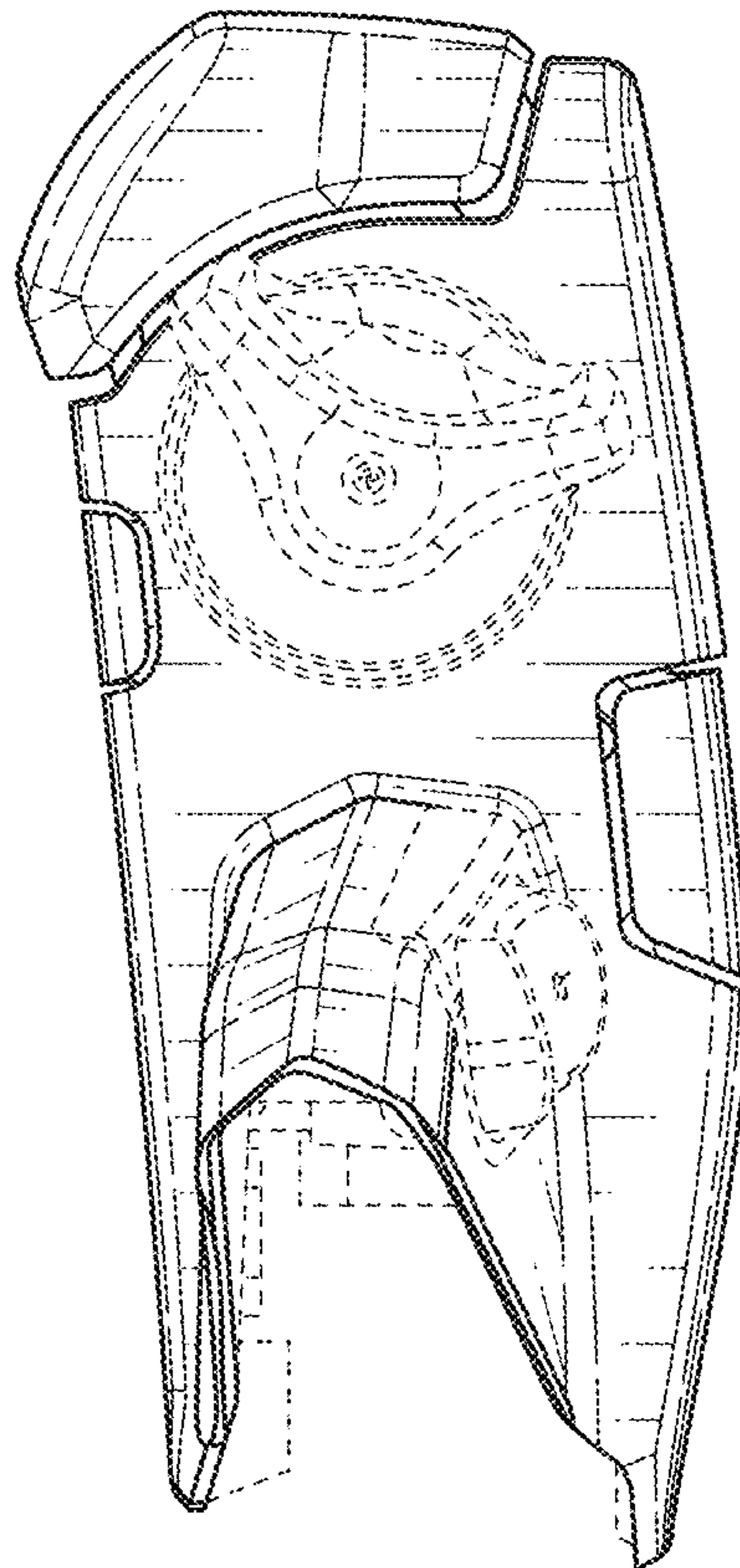


FIG. 12

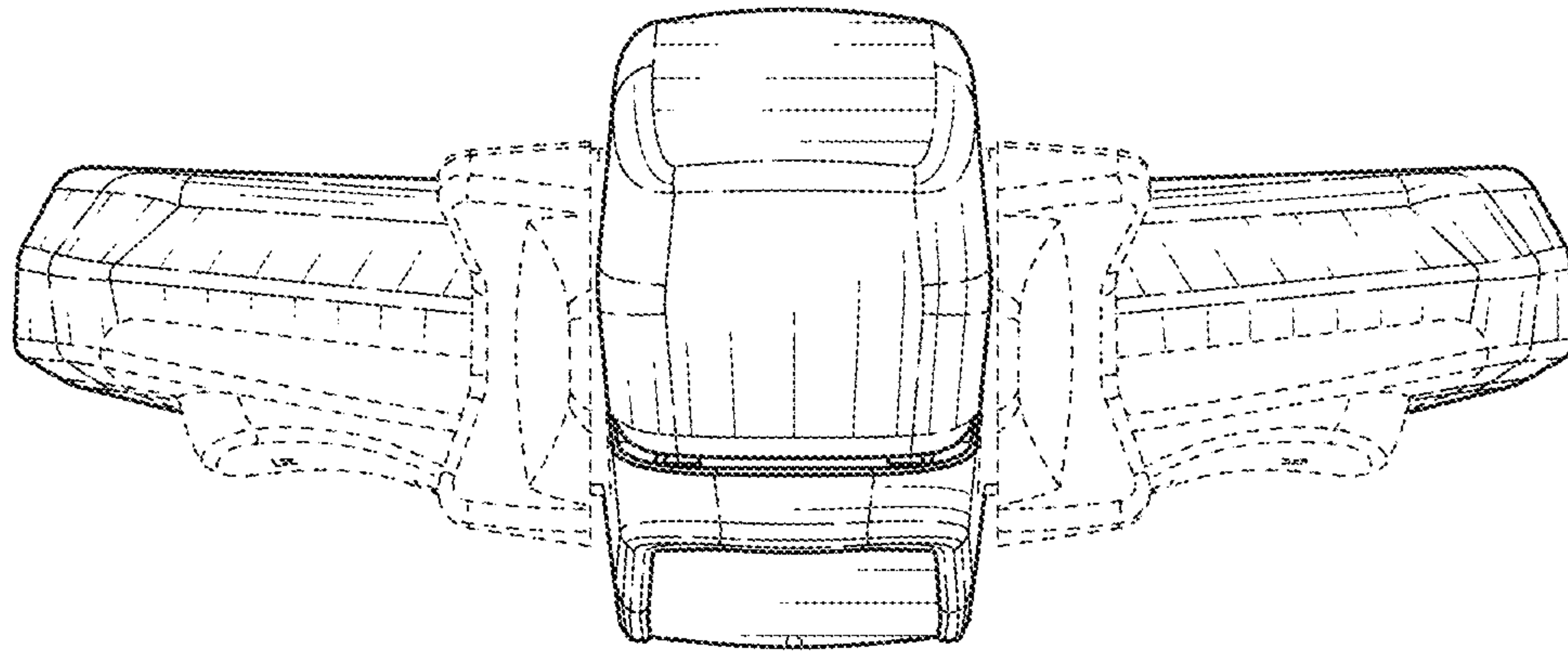


FIG. 13

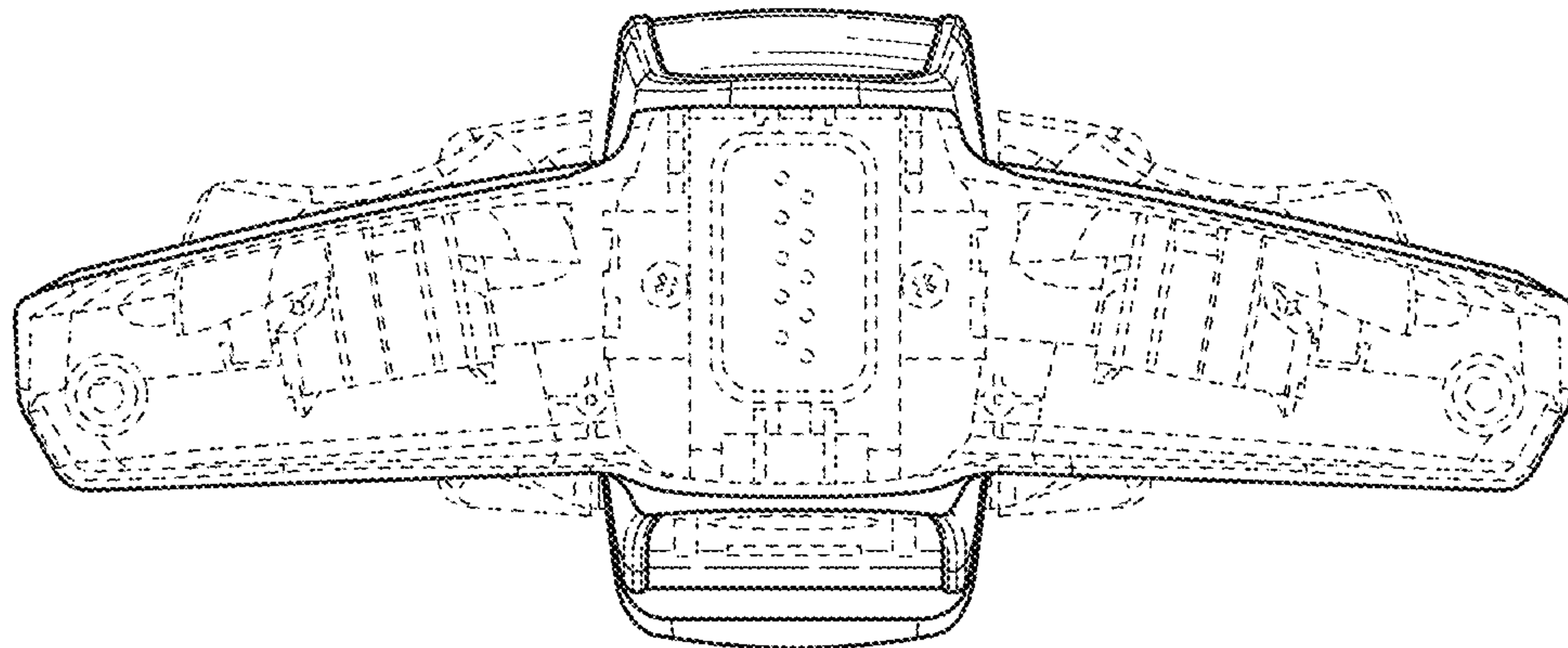


FIG. 14