



US00D962578S

(12) **United States Design Patent** (10) **Patent No.:** **US D962,578 S**
Simonetti (45) **Date of Patent:** **** *Aug. 30, 2022**

(54) **DUSTBIN**
(71) Applicant: **PLAST-MECCANICA SOCIETA' PER AZIONI**, Castelbellino (IT)
(72) Inventor: **Lorenzo Simonetti**, Jesi (IT)

D907,875 S * 1/2021 Chen D34/11
D914,316 S * 3/2021 Pearson D34/1
D943,113 S * 2/2022 Flaumenbaum D25/33
2005/0016999 A1 * 1/2005 Richardson B65F 1/1615
220/4.28
2007/0125778 A1 * 6/2007 Uffner B65F 1/1615
220/4.28

(*) Notice: This patent is subject to a terminal disclaimer.

FOREIGN PATENT DOCUMENTS

(**) Term: **15 Years**

JP 2021020753 A * 2/2021

(21) Appl. No.: **29/765,361**

* cited by examiner

(22) Filed: **Jan. 7, 2021**

Primary Examiner — Cynthia Ramirez

(51) **LOC (13) Cl.** **09-09**

(74) *Attorney, Agent, or Firm* — Egbert, McDaniel & Swartz, PLLC

(52) **U.S. Cl.**
USPC **D34/7**

(58) **Field of Classification Search**
USPC D34/1, 5, 6, 7, 8, 9, 10, 11
CPC B65F 1/06; B65F 1/006; B65F 1/10; B65F 1/16; B65F 1/1607; B65F 1/67; B65F 1/02; B65F 1/14; B65F 1/062; B65F 1/014; B65F 1/163; B65F 1/1438; B65F 1/162; B65F 1/1623; B65F 1/004; B65F 1/1473; B65F 1/002; B65F 1/04; B65F 2240/138

(57) **CLAIM**

The ornamental design for a dustbin, as shown and described.

See application file for complete search history.

DESCRIPTION

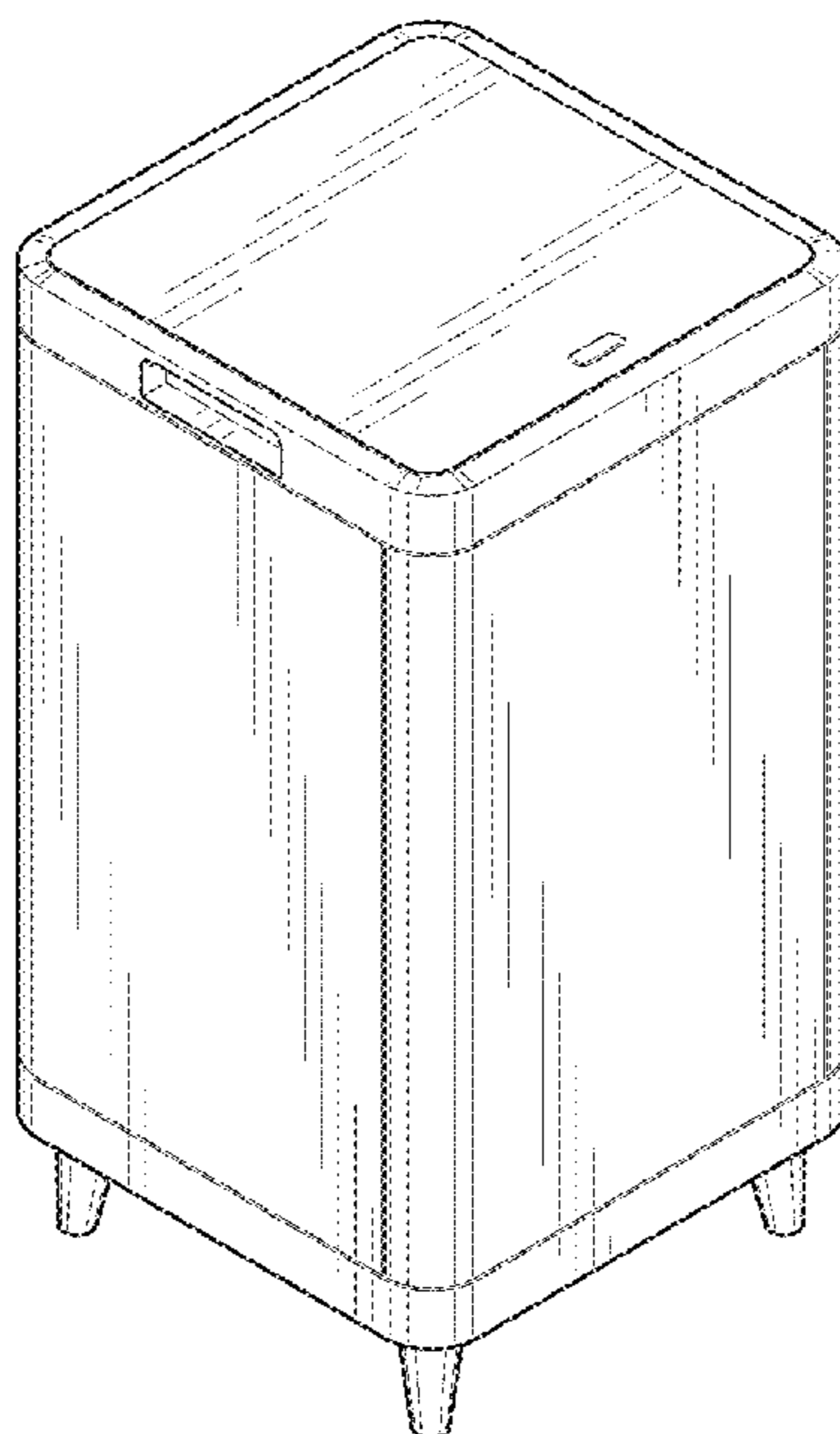
(56) **References Cited**

U.S. PATENT DOCUMENTS

4,798,363 A * 1/1989 Cortesi B65F 1/062
220/495.07
D472,688 S * 4/2003 Lin D34/9
7,073,677 B2 * 7/2006 Richardson B65F 1/02
220/908
D538,500 S * 3/2007 Lin D34/7
D809,729 S * 2/2018 Chen D34/7
D872,959 S * 1/2020 Chen D34/7

FIG. 1 is a front perspective view of a dustbin showing my new design.
FIG. 2 is a front view thereof;
FIG. 3 is a rear view thereof;
FIG. 4 is a side view thereof;
FIG. 5 is an opposite side view thereof;
FIG. 6 is a top view thereof;
FIG. 7 is a bottom view thereof; and,
FIG. 8 is a rear perspective view thereof.
The broken lines shown in the drawings illustrate portions of the dustbin that form no part of the claimed design.

1 Claim, 3 Drawing Sheets



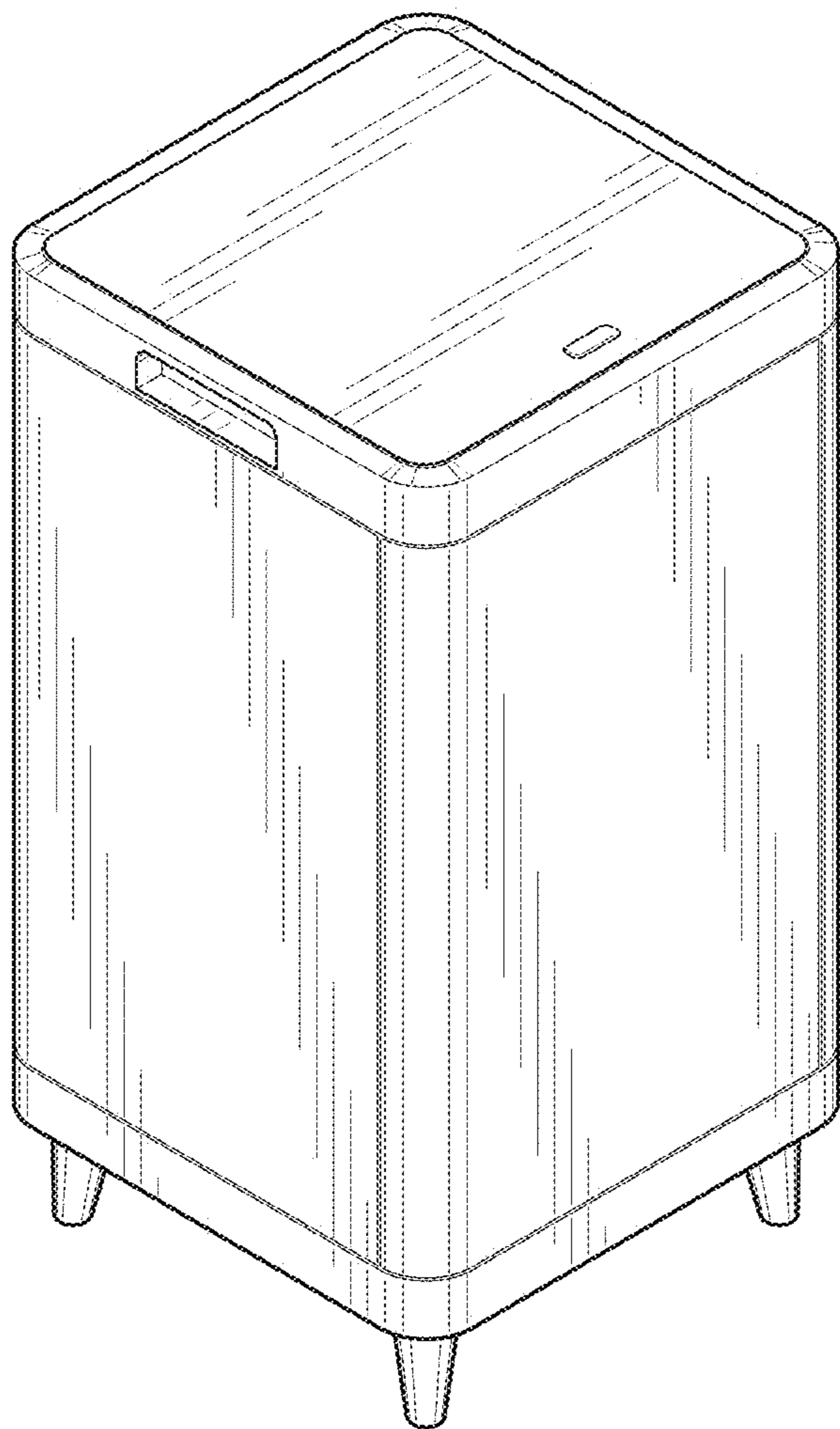


FIG. 1

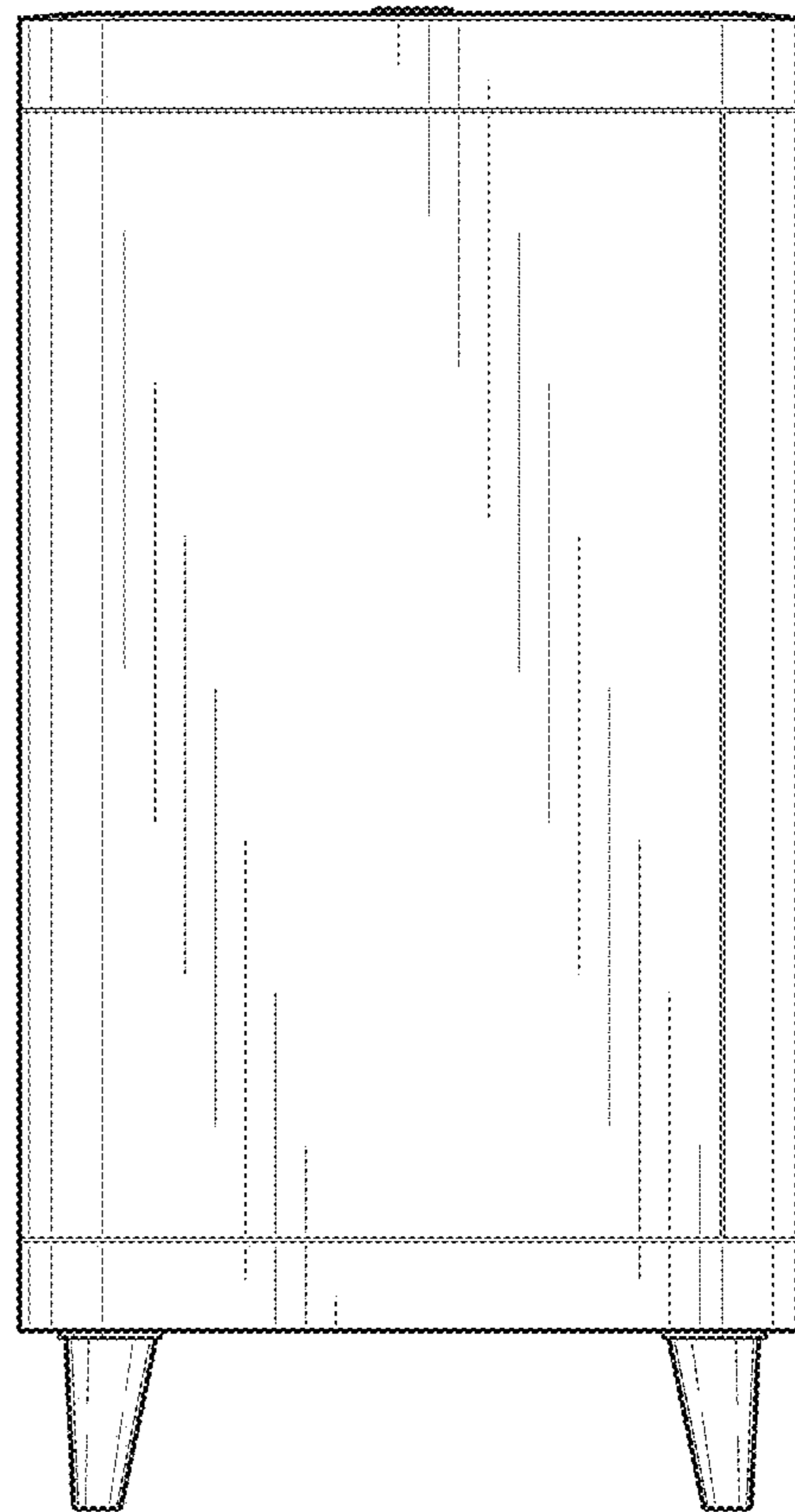


FIG. 2

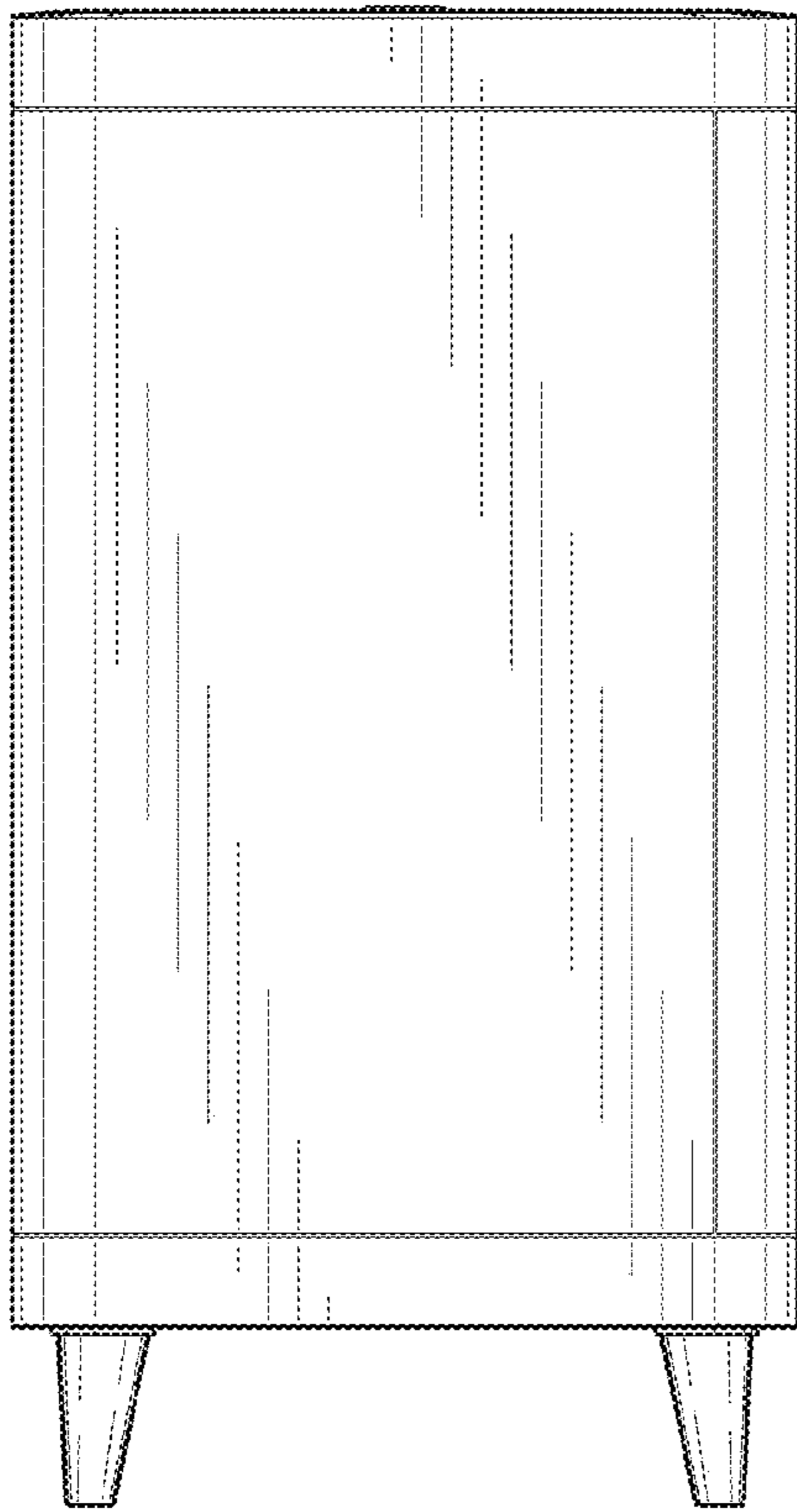


FIG. 3

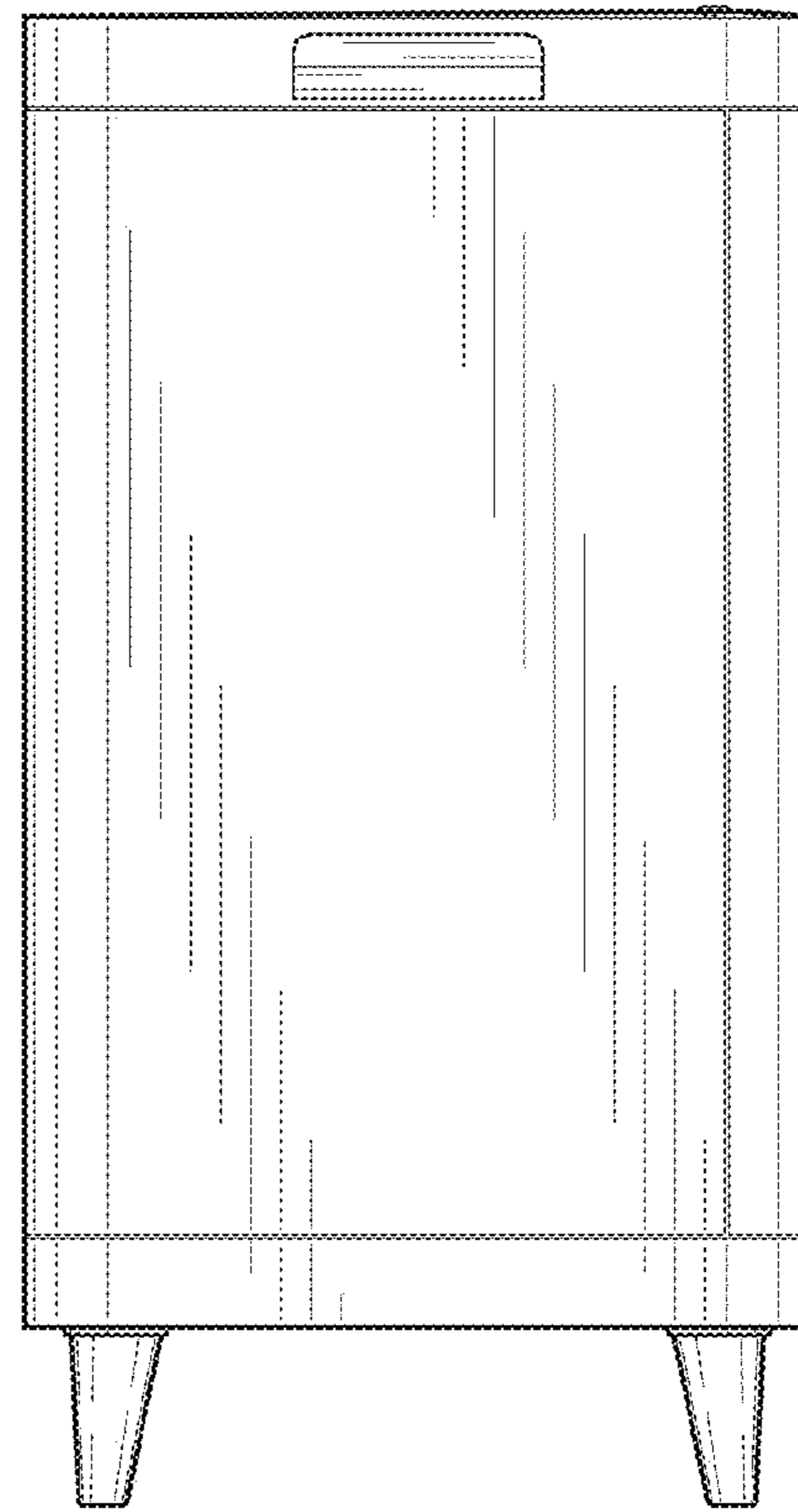


FIG. 4

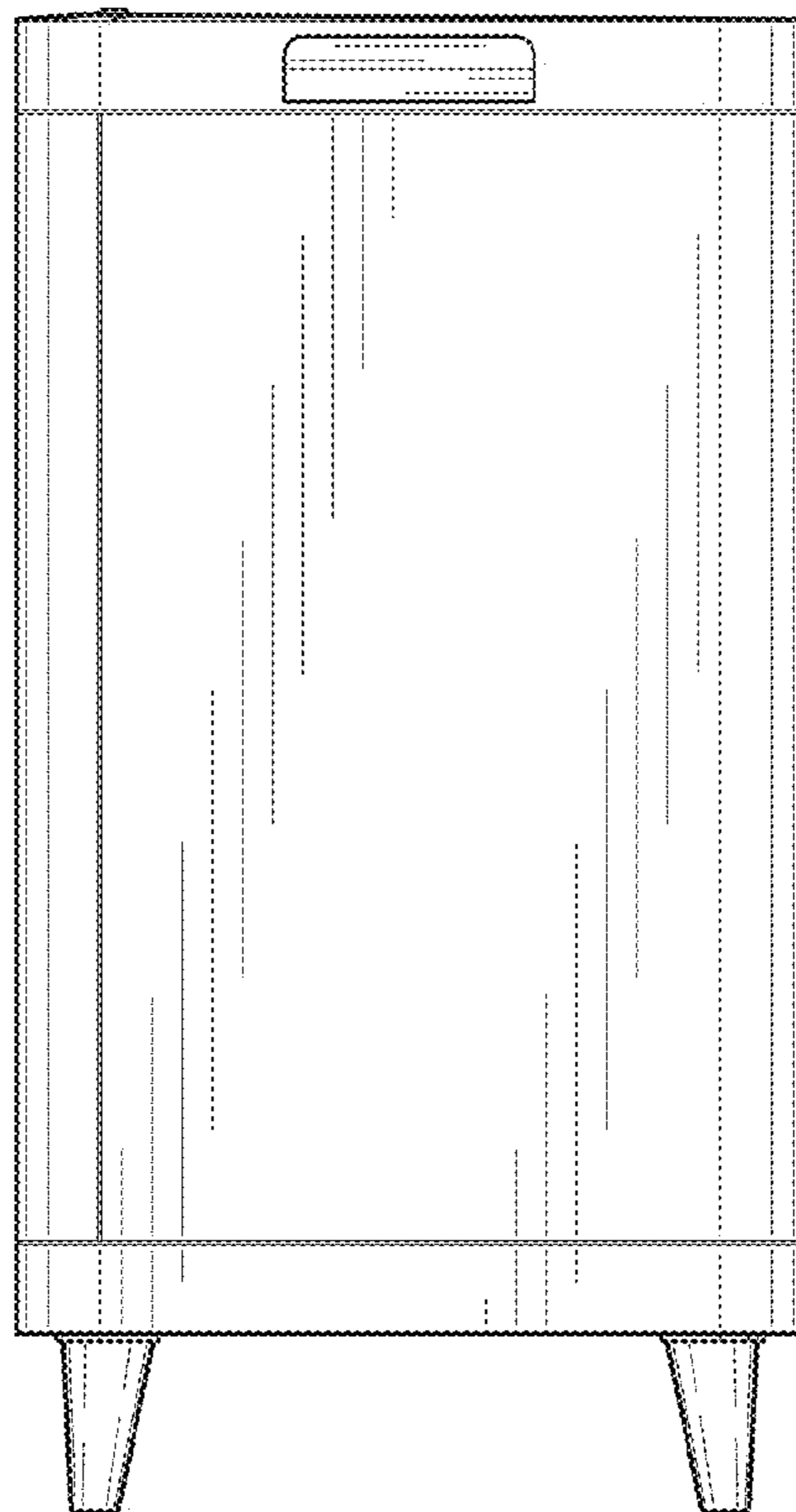


FIG. 5

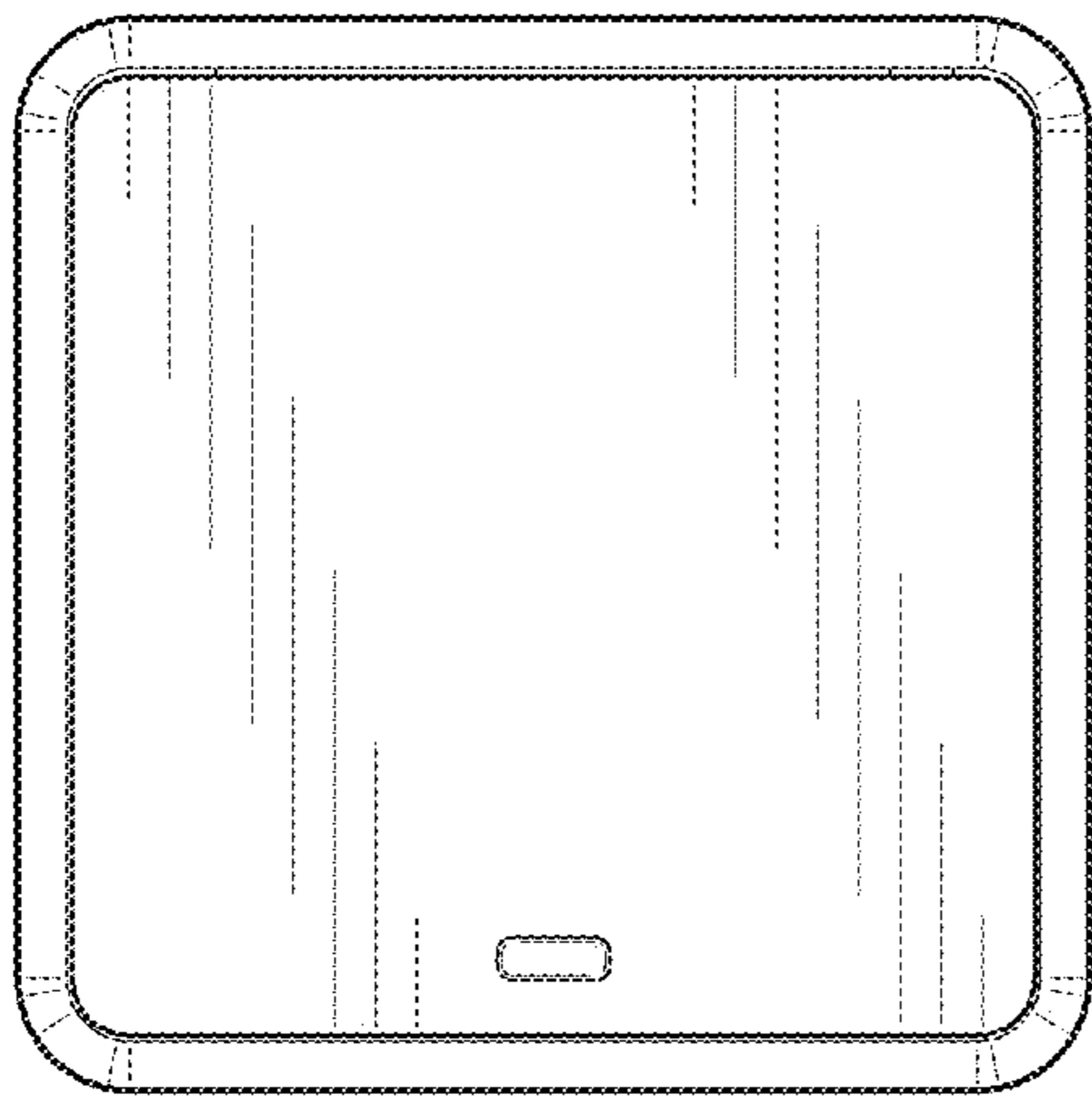


FIG. 6

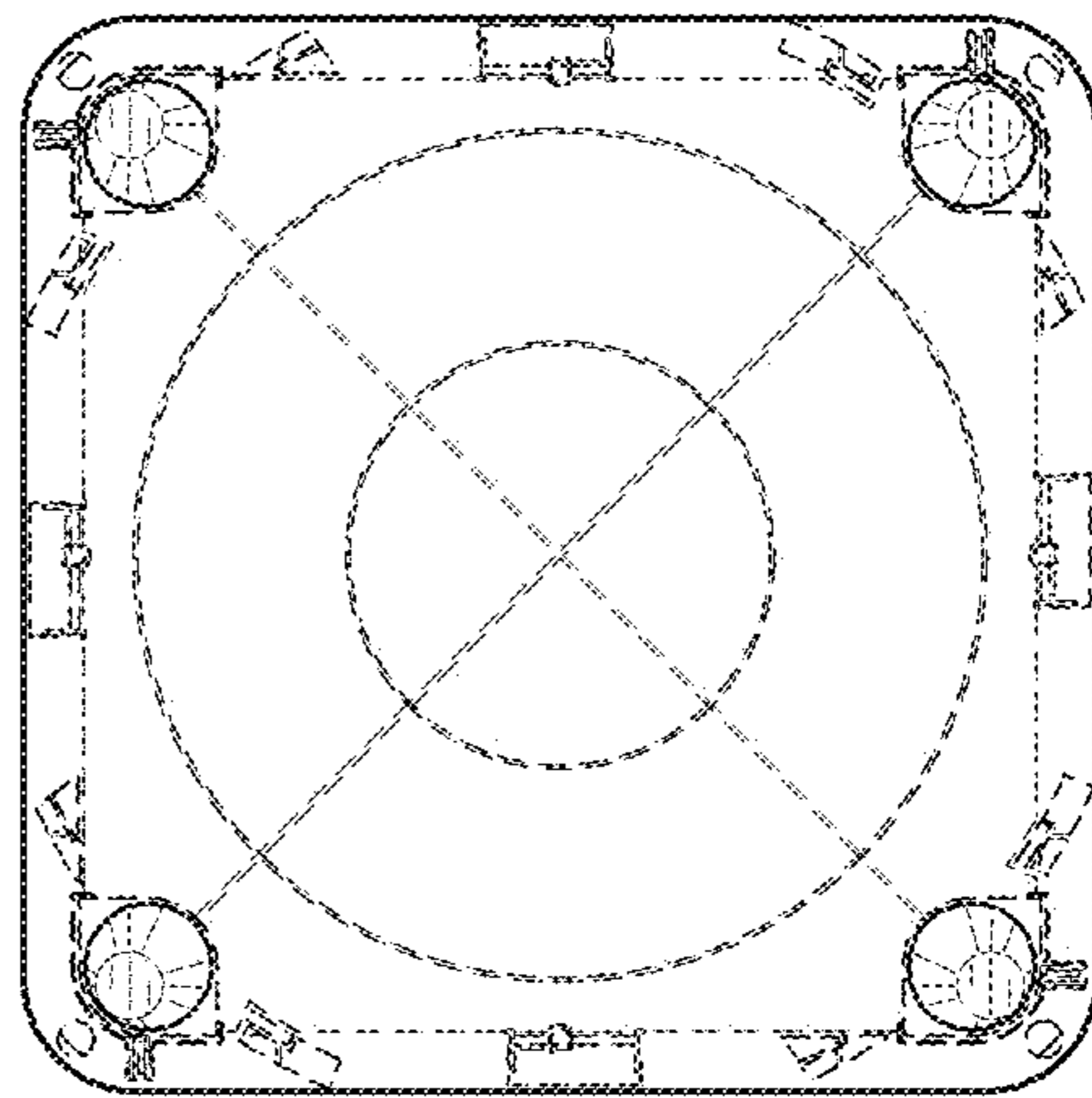


FIG. 7

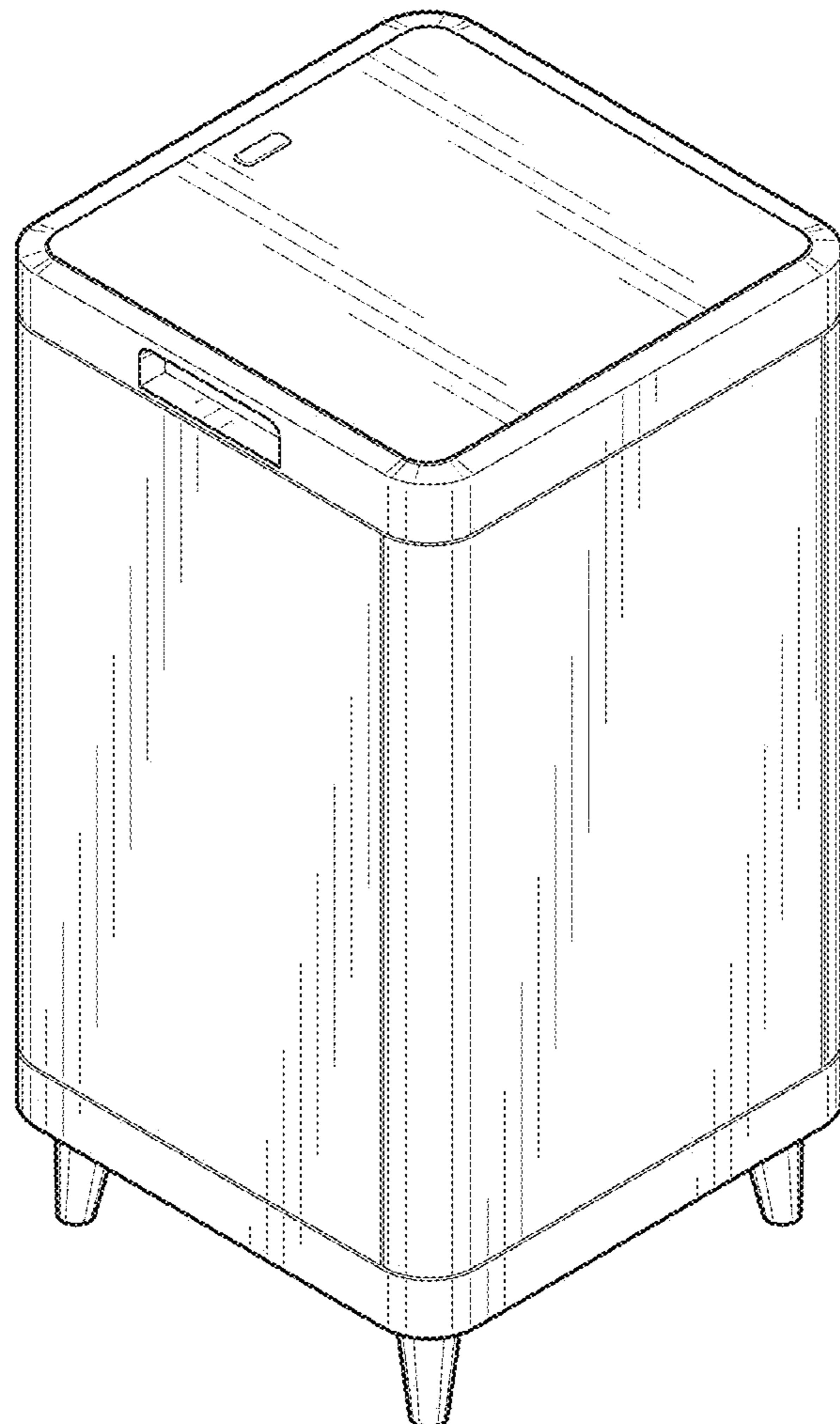


FIG. 8