



US00D962577S

(12) **United States Design Patent** (10) **Patent No.:** **US D962,577 S**
He (45) **Date of Patent:** **** Aug. 30, 2022**

(54) **TRASH CAN**

D769,565 S 10/2016 Chen
D795,521 S 8/2017 Han
D911,215 S * 2/2021 Wang D11/155

(71) Applicant: **Yong He**, Tongxiang (CN)

(72) Inventor: **Yong He**, Tongxiang (CN)

(**) Term: **15 Years**

(21) Appl. No.: **29/799,298**

(22) Filed: **Jul. 13, 2021**

(51) **LOC (13) Cl.** **09-09**

(52) **U.S. Cl.**
USPC **D34/1**

(58) **Field of Classification Search**
USPC D34/1, 5, 6, 7, 8, 9, 10, 11
CPC B65F 1/06; B65F 1/006; B65F 1/10; B65F
1/16; B65F 1/1607; B65F 1/67; B65F
1/02; B65F 1/14; B65F 1/062; B65F
1/014; B65F 1/163; B65F 1/1438; B65F
1/162; B65F 1/1623; B65F 1/004; B65F
1/1473; B65F 1/002; B65F 1/04; B65F
2240/138

See application file for complete search history.

(56) **References Cited**

U.S. PATENT DOCUMENTS

D304,022 S	*	10/1989	White	D34/1
D405,576 S	*	2/1999	Rausch	D34/1
D480,855 S	*	10/2003	Sofy	D34/1
D493,590 S	*	7/2004	Chen	D34/1
D552,319 S	*	10/2007	Gusdorf	D34/1
D649,728 S	*	11/2011	Campbell	D34/1
D663,089 S	*	7/2012	Legreca	D34/1

OTHER PUBLICATIONS

Amazon.com searched Mar. 21, 2022, Nipogear 3.5 gallons efficient trash can wastebasket, first available May 4, 2021, <https://www.amazon.com/Gallons-Efficient-Wastebasket-Kitchen-WineRed/dp/B09431> (Year: 2021).*
Globalindustrial.com, Rubbermaid Vanity wastebasket 2953, <https://www.globalindustrial.com/p/vanity-wastebasket-2953-6-quart-white-261588> (Year: 2022).*

* cited by examiner

Primary Examiner — Cynthia Ramirez

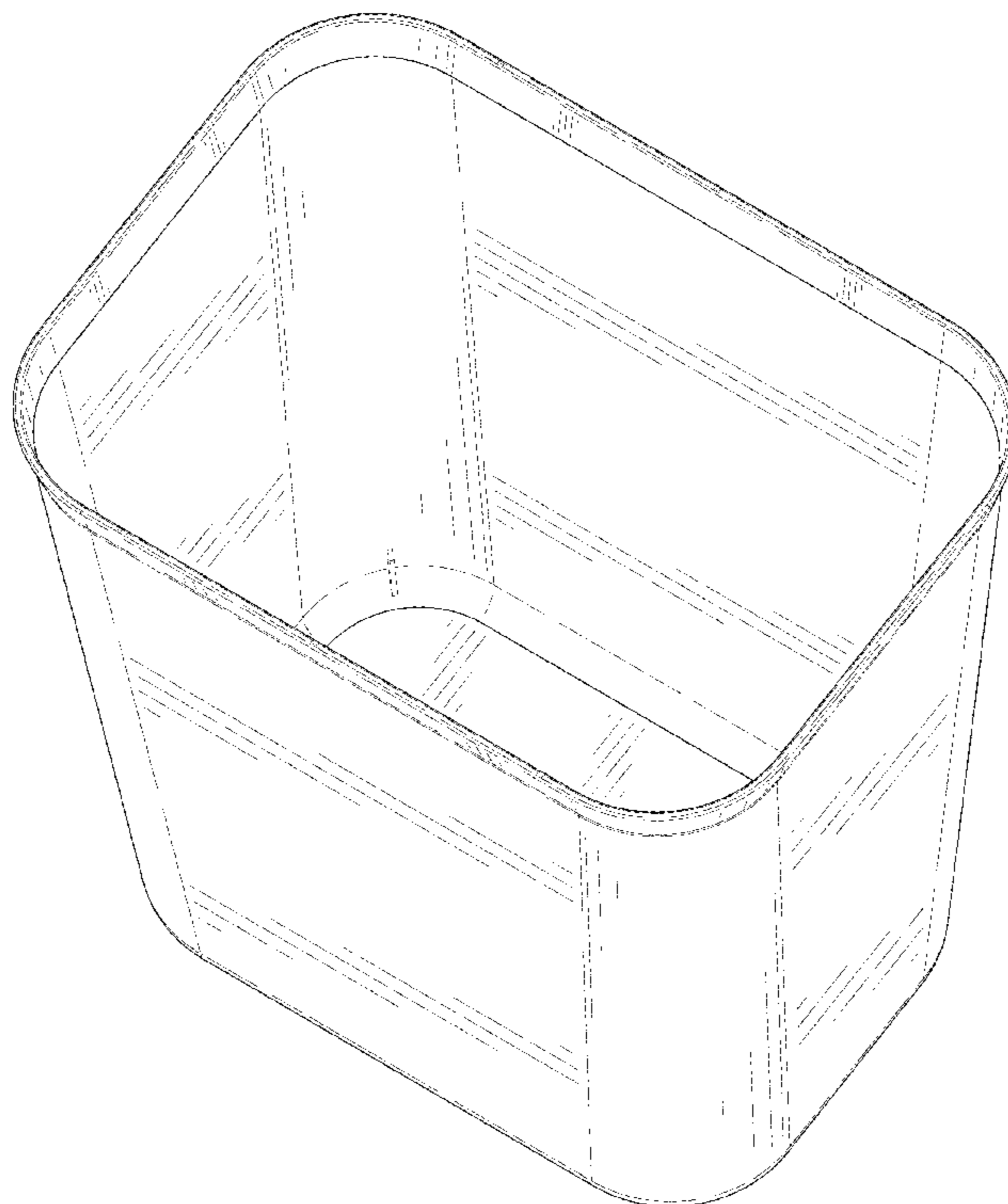
(57) **CLAIM**

The ornamental design for a trash can, as shown and described.

DESCRIPTION

FIG. 1 is a perspective view of a trash can showing my new design;
FIG. 2 is another perspective view thereof;
FIG. 3 is a front elevational view thereof;
FIG. 4 is a rear elevational view thereof;
FIG. 5 is a left side elevational view thereof;
FIG. 6 is a right side elevational view thereof;
FIG. 7 is a top plan view thereof; and,
FIG. 8 is a bottom plan view thereof.
The broken lines in the drawings depict portions of the trash can that form no part of the claimed design.

1 Claim, 8 Drawing Sheets



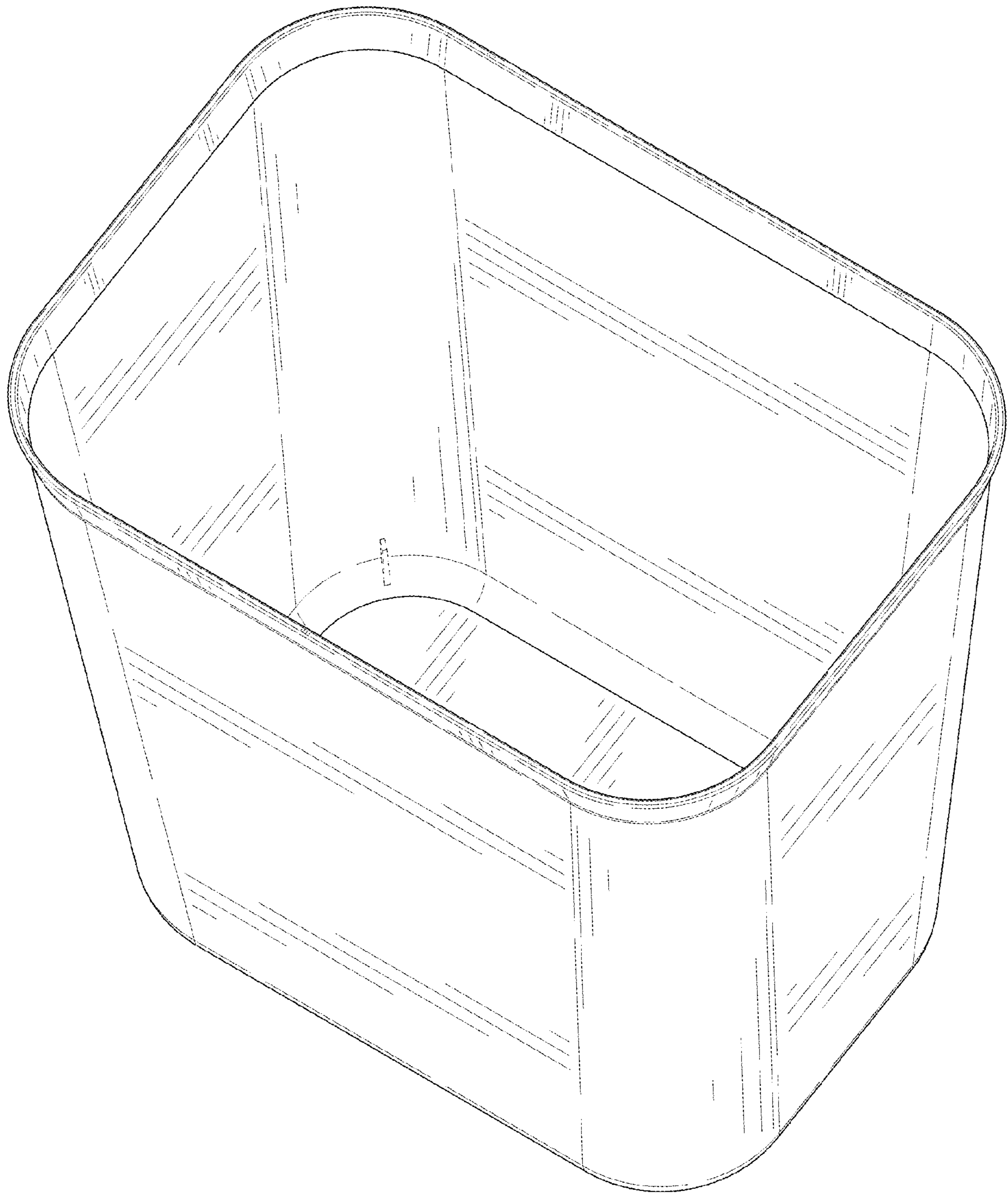


FIG. 1

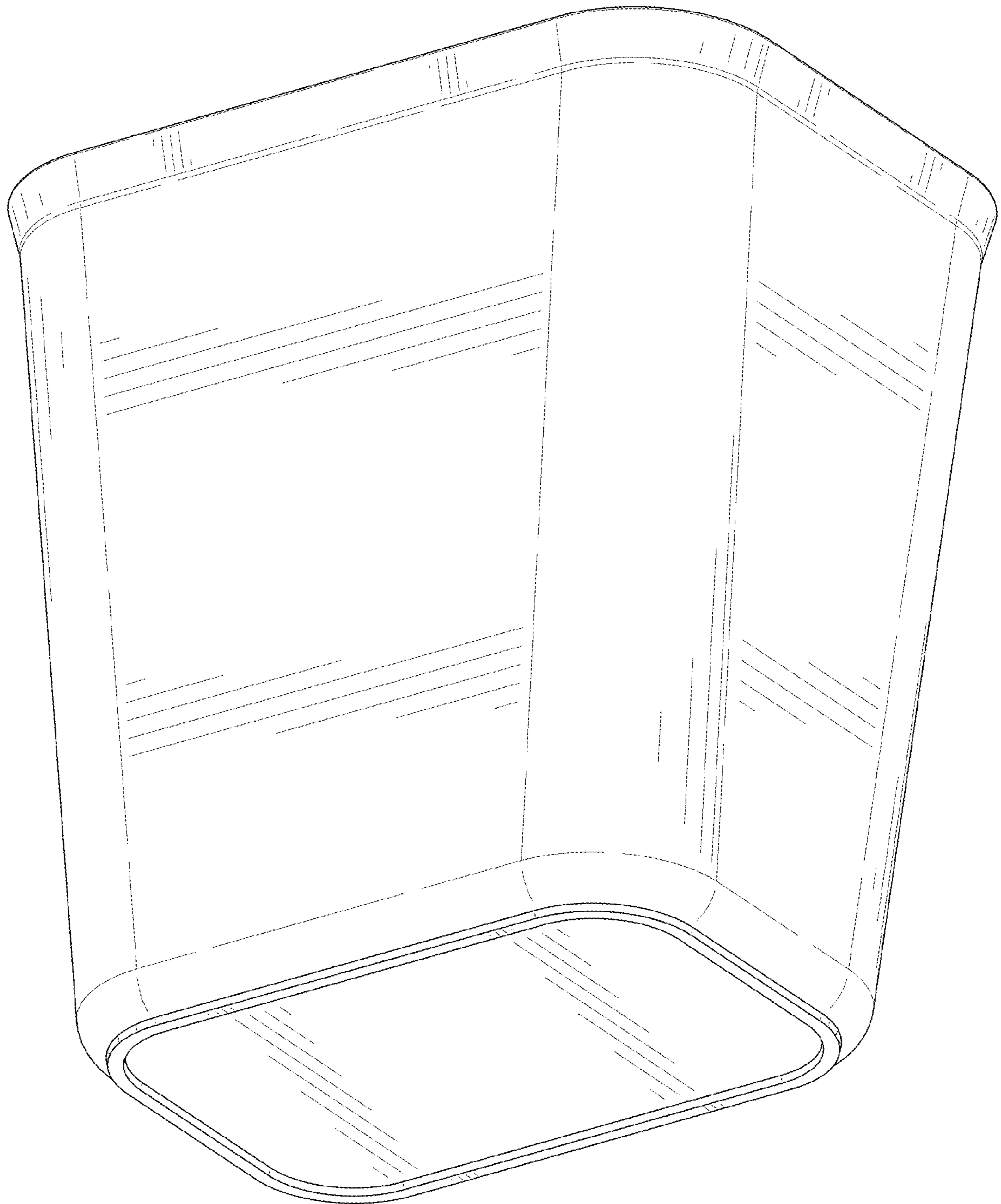


FIG. 2

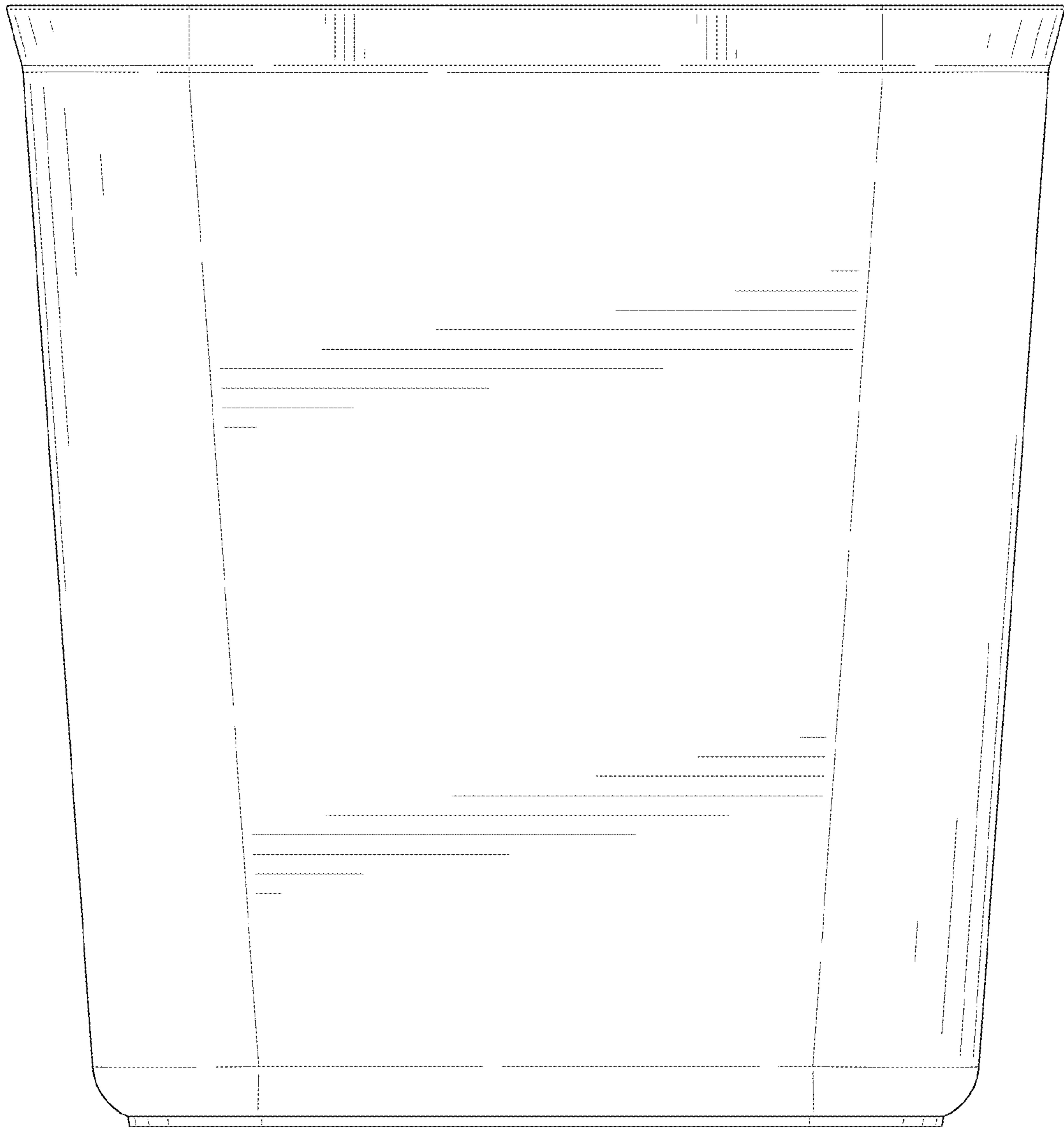


FIG. 3

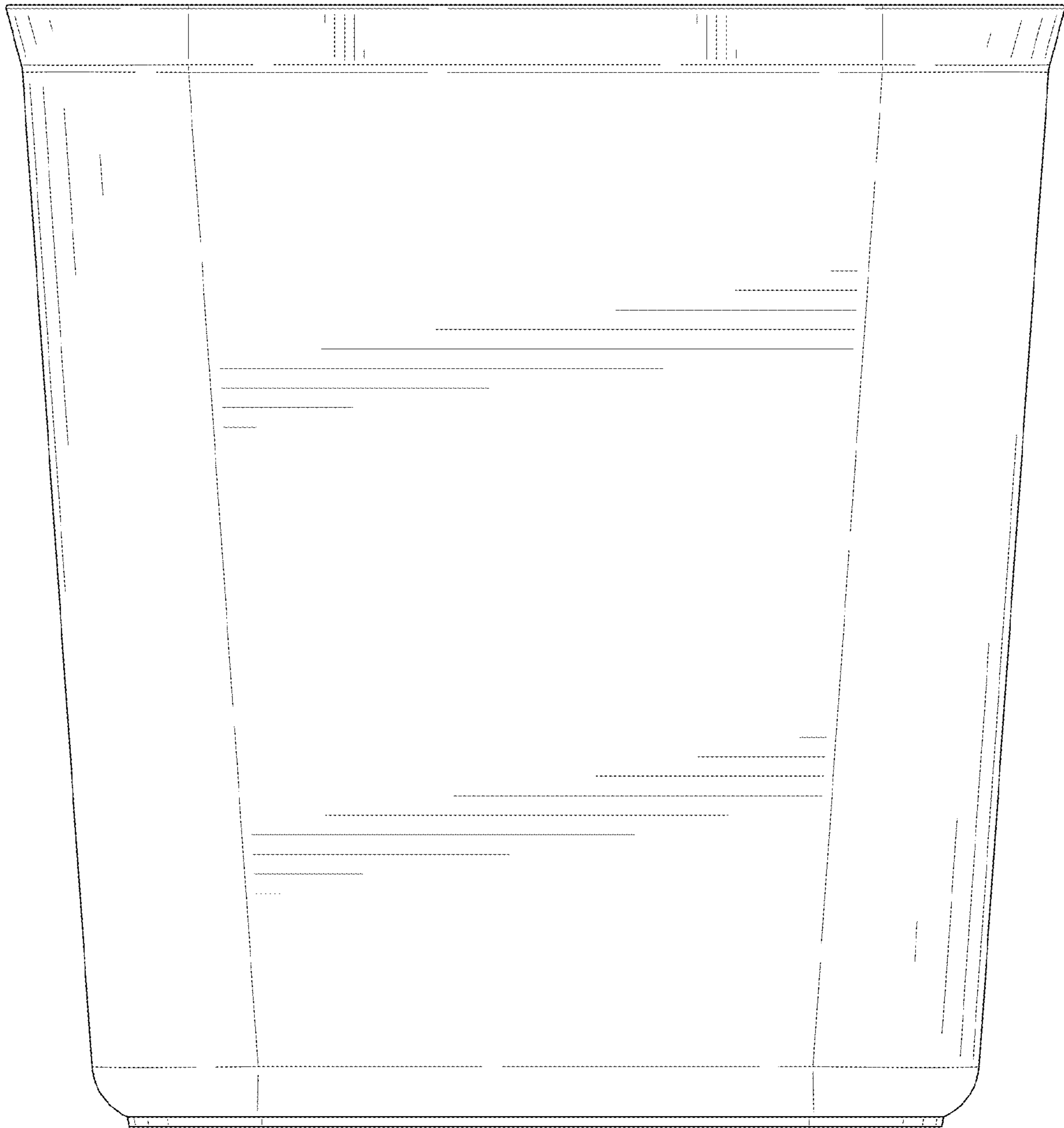


FIG. 4

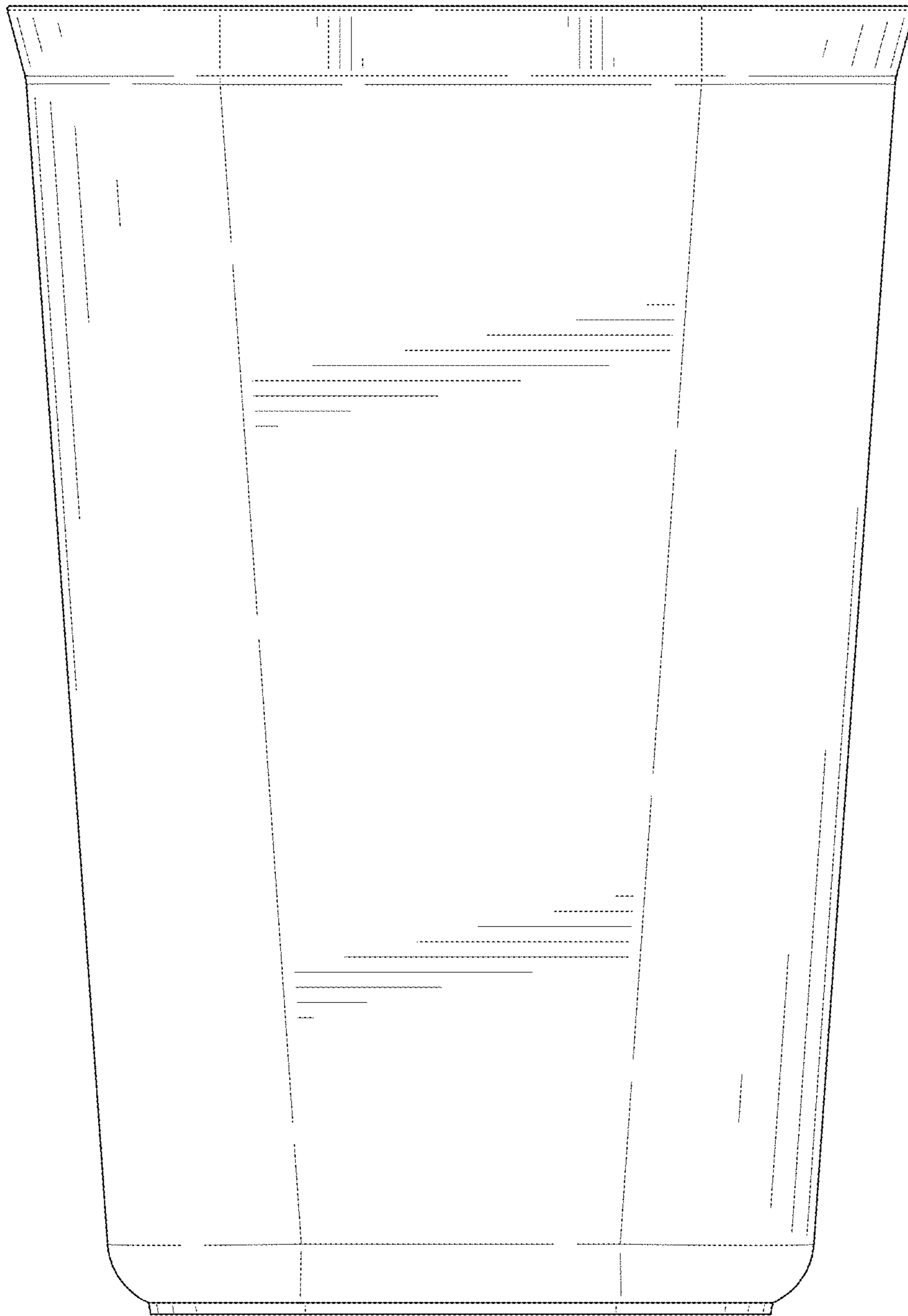


FIG. 5

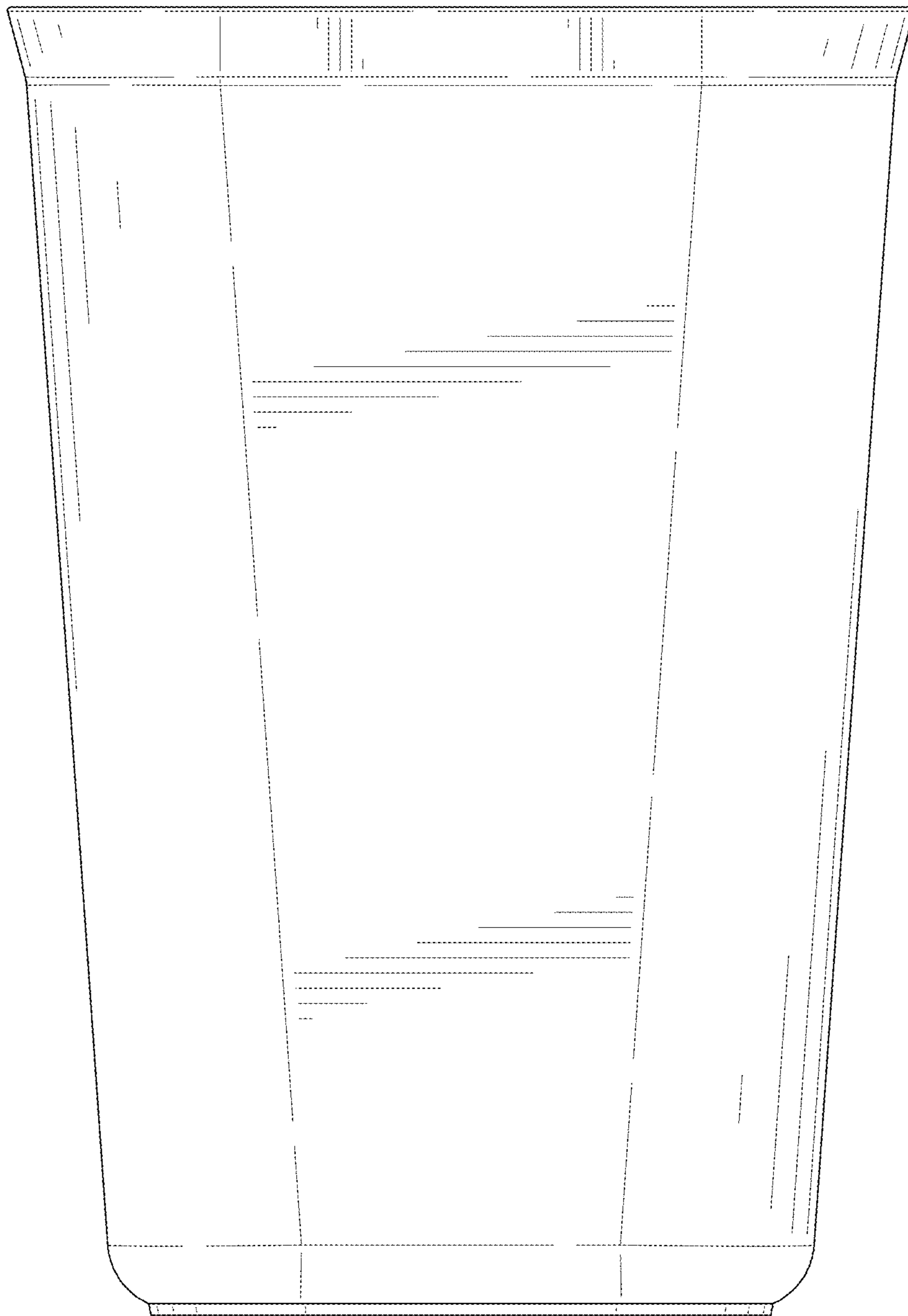


FIG. 6

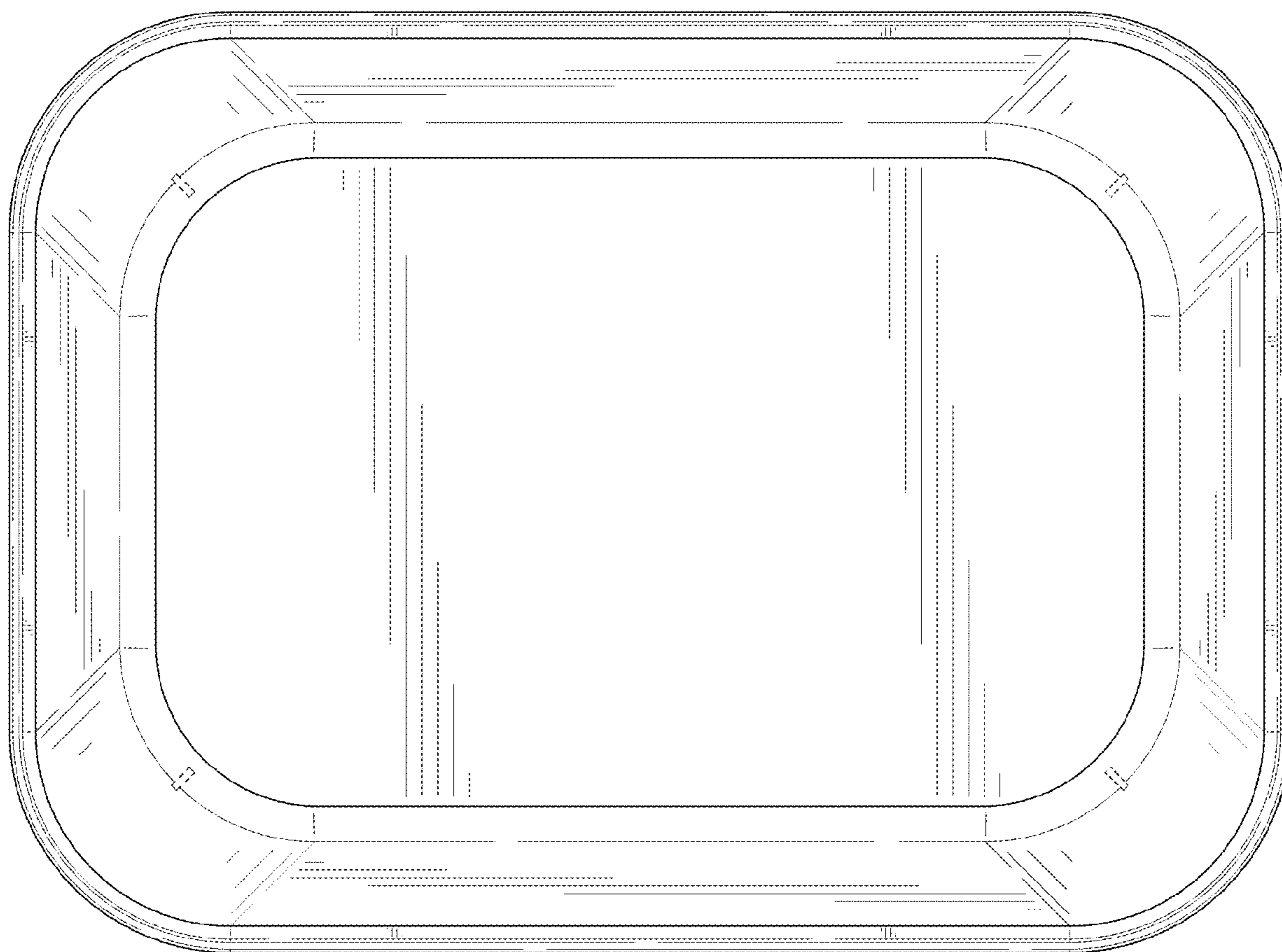


FIG. 7

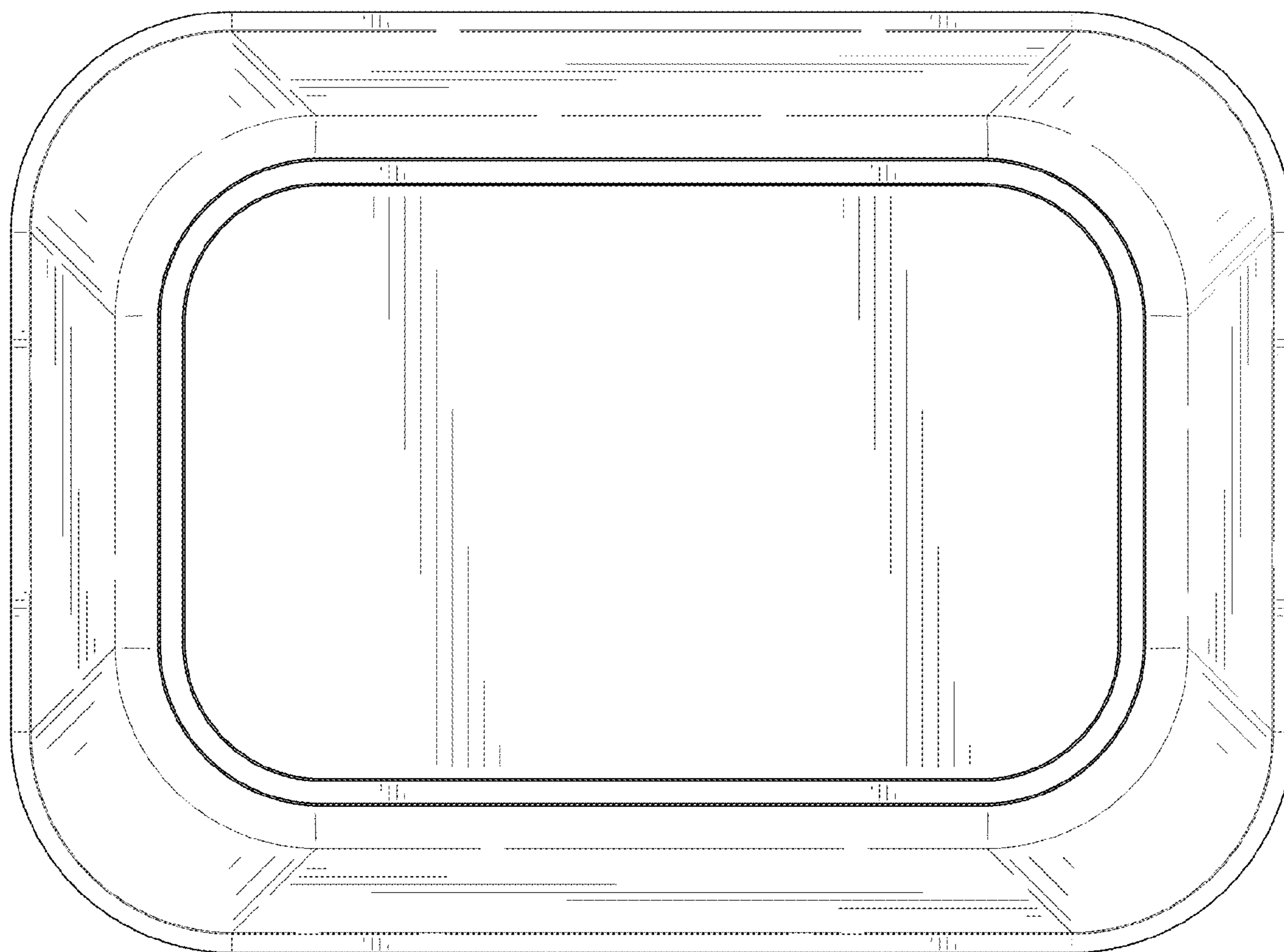


FIG. 8