

US00D962576S

(12) **United States Design Patent**
Elkarat et al.

(10) **Patent No.: US D962,576 S**

(45) **Date of Patent: ** Aug. 30, 2022**

(54) **DRYING RACK**

(71) Applicant: **GRADUATE PLASTICS, INC.**,
Miami, FL (US)

(72) Inventors: **Ilan Elkarat**, Rehovot (IL); **Michael Peretz Ben Asher**, Tel Aviv (IL)

(73) Assignee: **GRAUDATE PLASTICS, INC.**,
Miami, FL (US)

(**) Term: **15 Years**

(21) Appl. No.: **29/762,694**

(22) Filed: **Dec. 17, 2020**

(51) **LOC (13) Cl.** **07-05**

(52) **U.S. Cl.**
USPC **D32/55**

(58) **Field of Classification Search**
USPC D6/525; D30/133; D32/55-59
CPC A47L 19/00; A47L 19/02; A47L 17/00;
A47L 17/04; A47J 47/20; A47J 2201/00;
A47J 47/00; B65D 35/02
See application file for complete search history.

(56) **References Cited**

U.S. PATENT DOCUMENTS

D231,669 S *	5/1974	Krause	D32/55
D362,942 S *	10/1995	Licari	D32/55
D363,578 S *	10/1995	Brightbill	D32/55
D383,273 S *	9/1997	Hampshire	D32/55
D418,646 S *	1/2000	Hampshire	D32/57
D418,647 S *	1/2000	Snell	D32/57
D432,750 S *	10/2000	Rashid	D32/55
D439,716 S *	3/2001	Wright	D32/55
D446,369 S *	8/2001	Smith	D32/55
D448,132 S *	9/2001	Wolfenden	D32/55
D729,021 S *	5/2015	Goodman	D7/704
D739,989 S *	9/2015	Baez	D32/56
D755,460 S *	5/2016	Baez	D9/455
D825,874 S *	8/2018	Johnson	D32/55
D891,832 S *	8/2020	Min	D6/675.2

D912,409 S *	3/2021	Yamada	D5/56
D915,873 S *	4/2021	Phy	D8/394
D929,161 S *	8/2021	Stephenson	D6/675.5
2003/0213759 A1 *	11/2003	Compagnucci	A47L 19/04 211/41.11

(Continued)

OTHER PUBLICATIONS

ippinka.com Wave Drying Rack <https://www.ippinka.com/shop/wave-drying-rack/> (Year: 2022).*

(Continued)

Primary Examiner — Michelle E. Wilson

Assistant Examiner — Richard E Yenchsky

(74) *Attorney, Agent, or Firm* — Daniel S. Polley, P.A.

(57) **CLAIM**

The ornamental design for a drying rack, as shown and described.

DESCRIPTION

FIG. 1 is a top perspective view of the drying rack showing the new design;

FIG. 2 is a bottom perspective view thereof;

FIG. 3 is a top view thereof;

FIG. 4 is a bottom view thereof

FIG. 5 is a front view thereof;

FIG. 6 is a back view thereof;

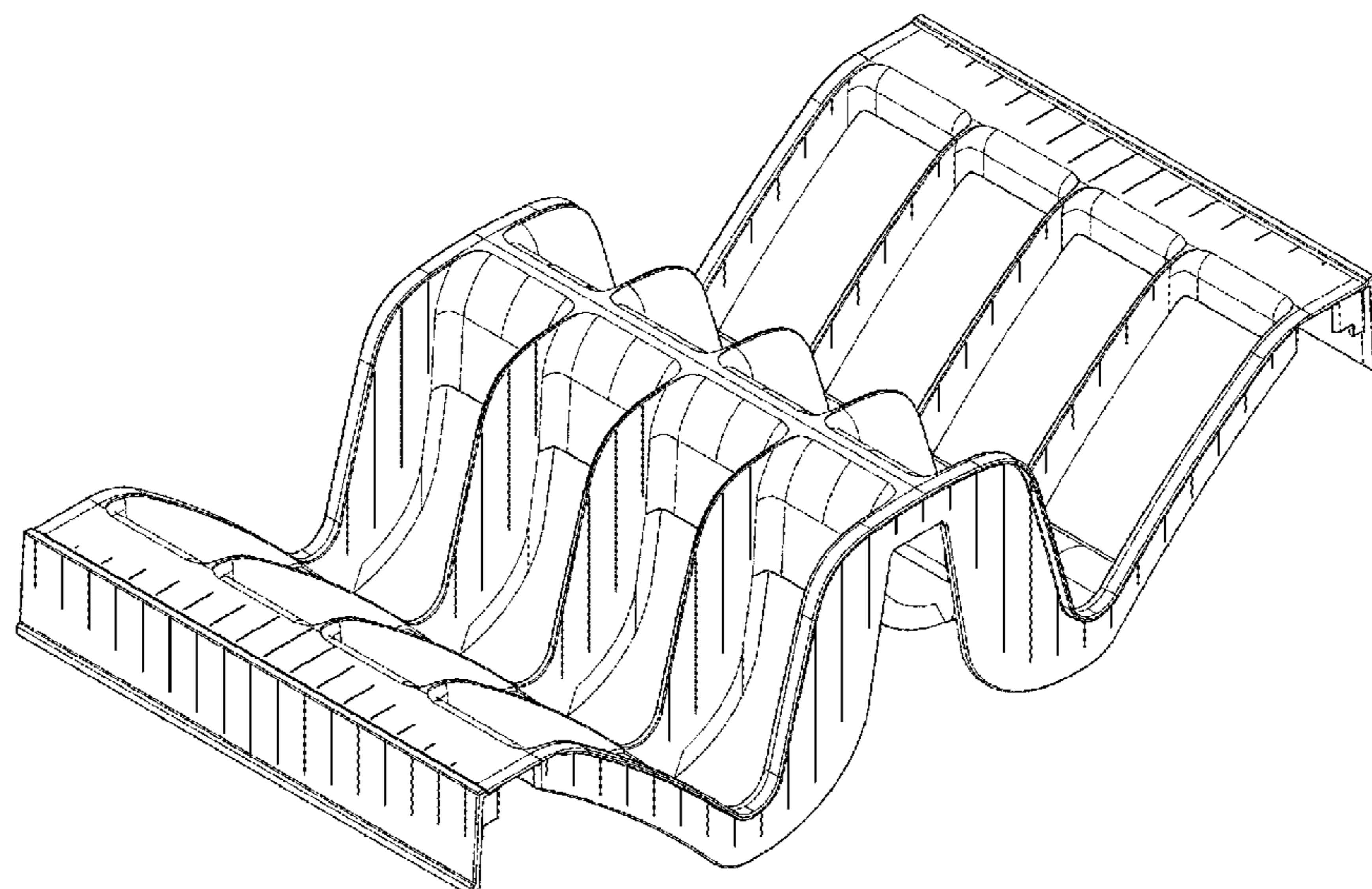
FIG. 7 is a right side view thereof;

FIG. 8 is a left side view thereof; and,

FIG. 9 is a front perspective view thereof showing one non-limiting use for the novel drying rack with the shelf, shelving or tray shown in broken lines.

In the figures, features shown by broken lines are for illustrative purposes only and form no part of the claimed design. Certain solid lines of varying length indicate surface shading and the lines themselves form no part of the claimed design.

1 Claim, 5 Drawing Sheets



(56)

References Cited

U.S. PATENT DOCUMENTS

2006/0113262 A1* 6/2006 Knorring, Jr. A47F 5/0056
211/181.1

OTHER PUBLICATIONS

joom.com Wave Pot Pan Cover <https://www.joom.com/en/products/1492679118816660288-126-1-709-3023141144> (Year: 2018).*

* cited by examiner

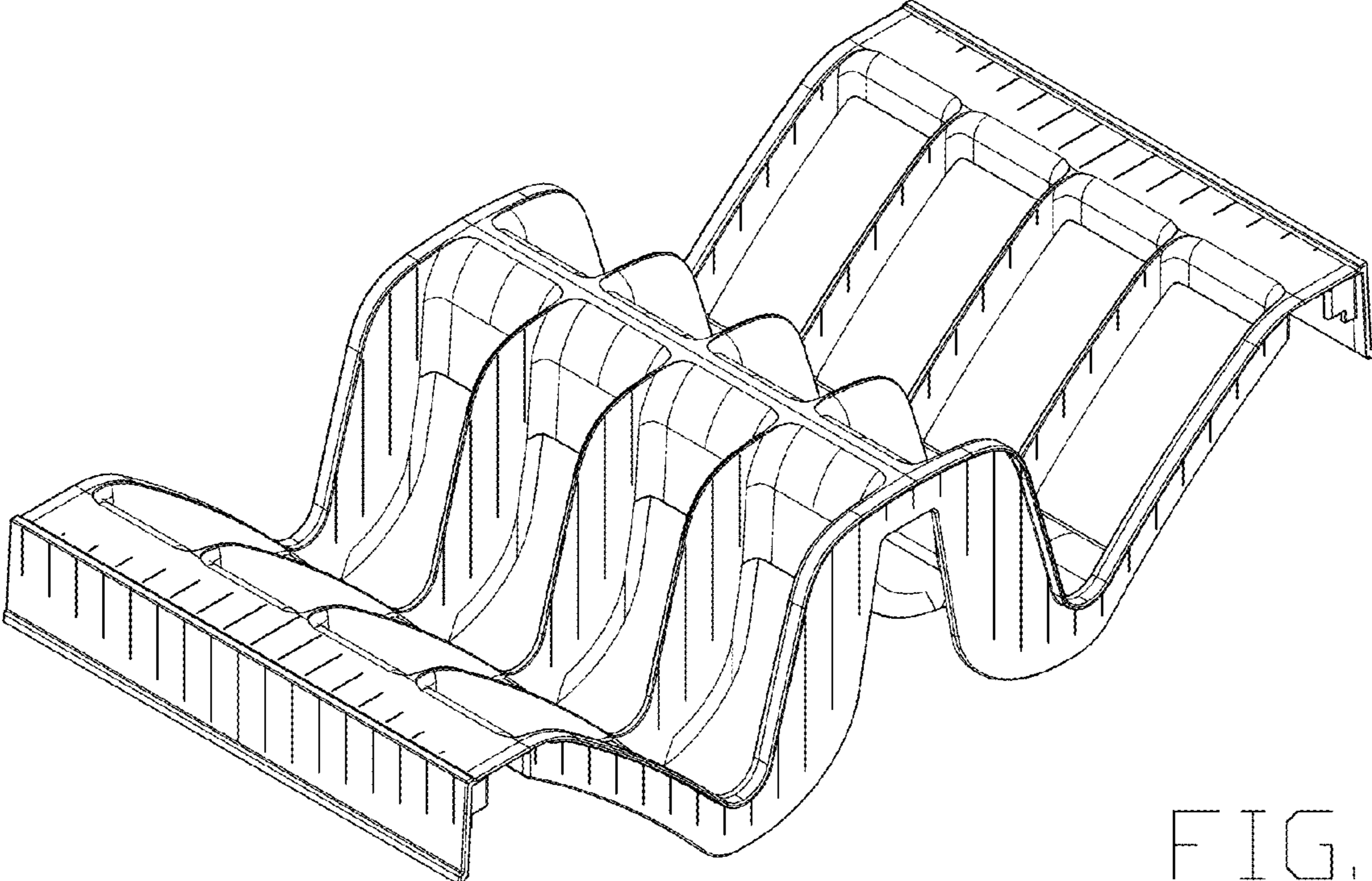


FIG. 1

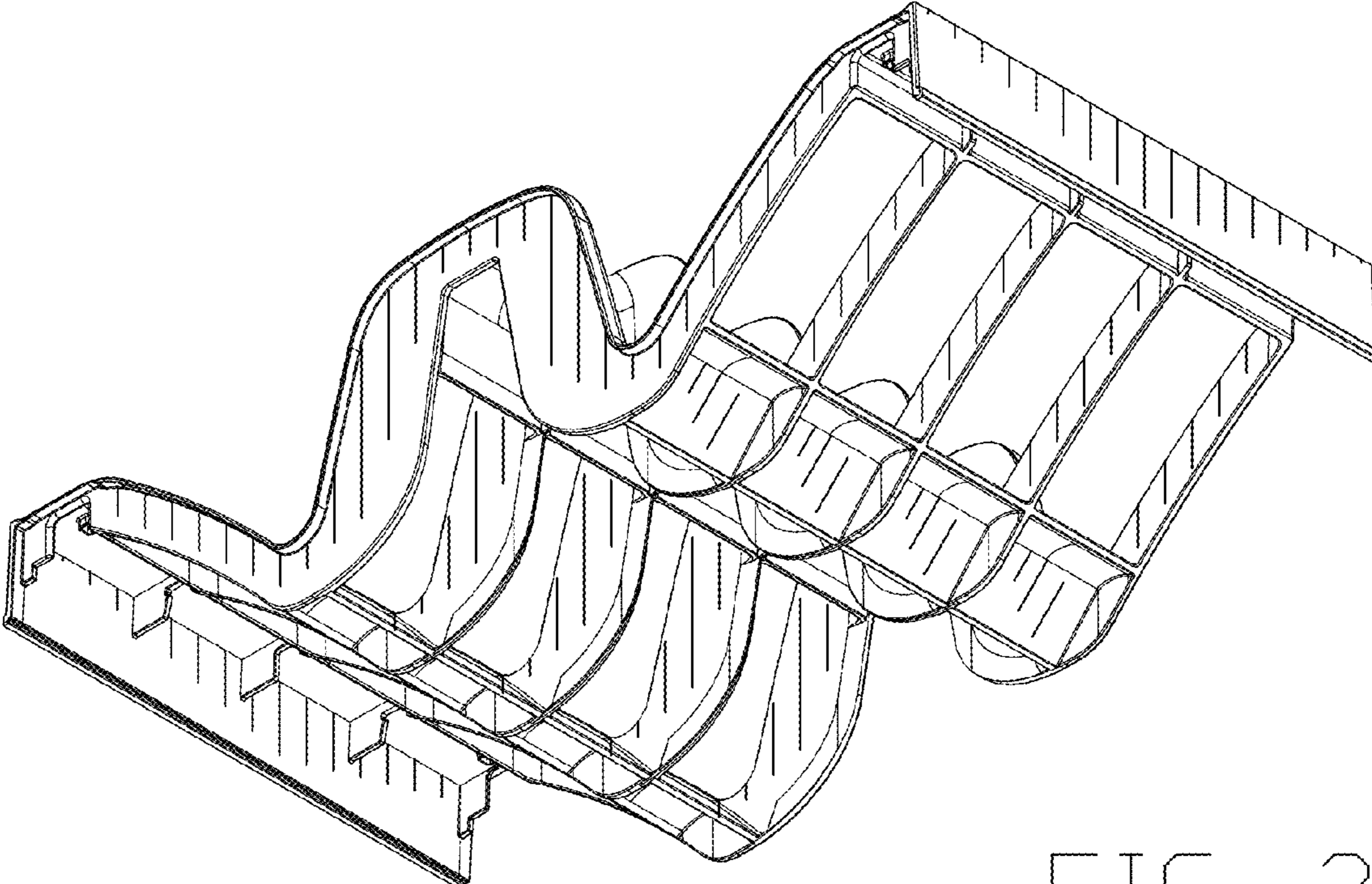


FIG. 2

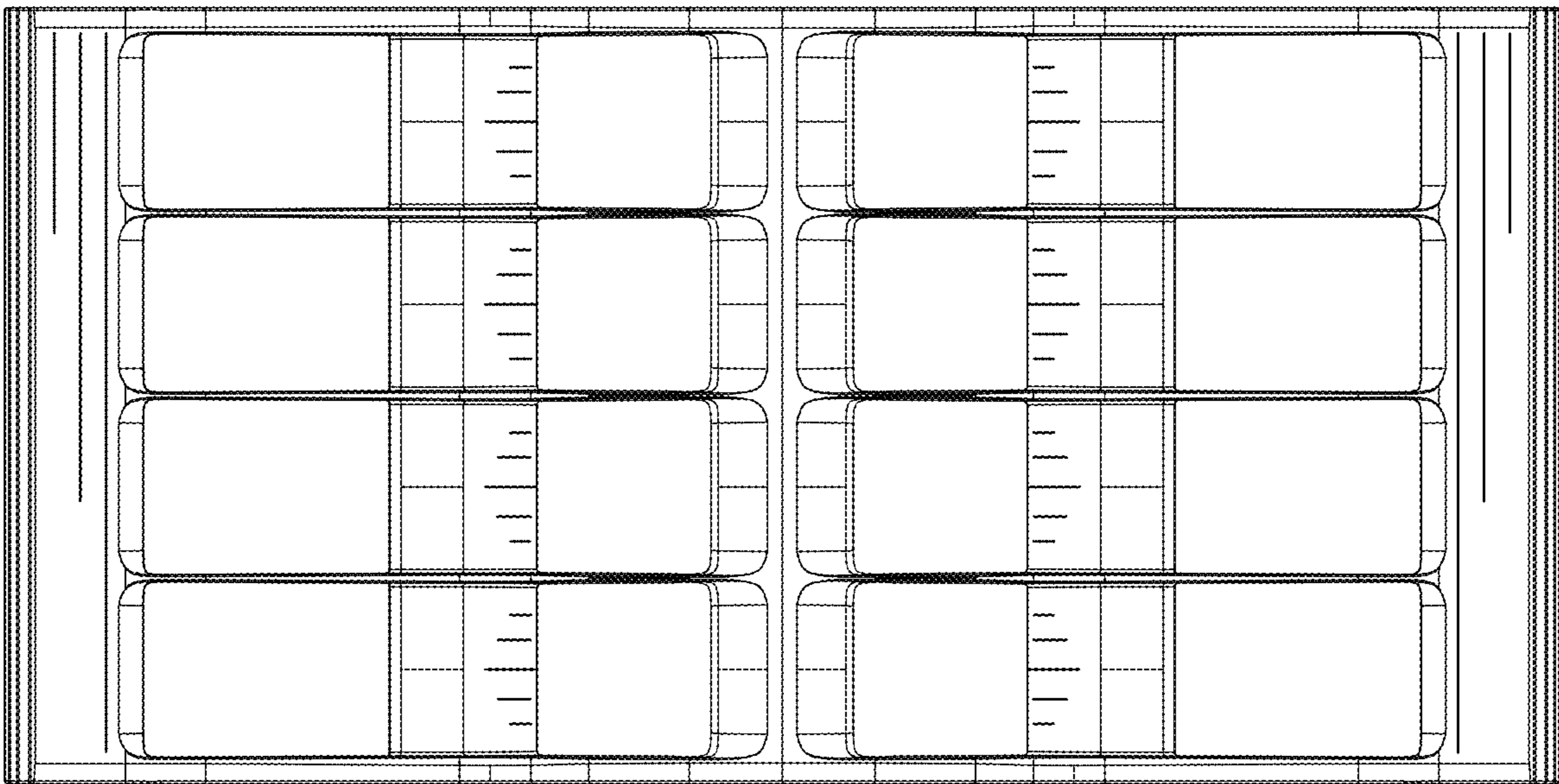


FIG. 3

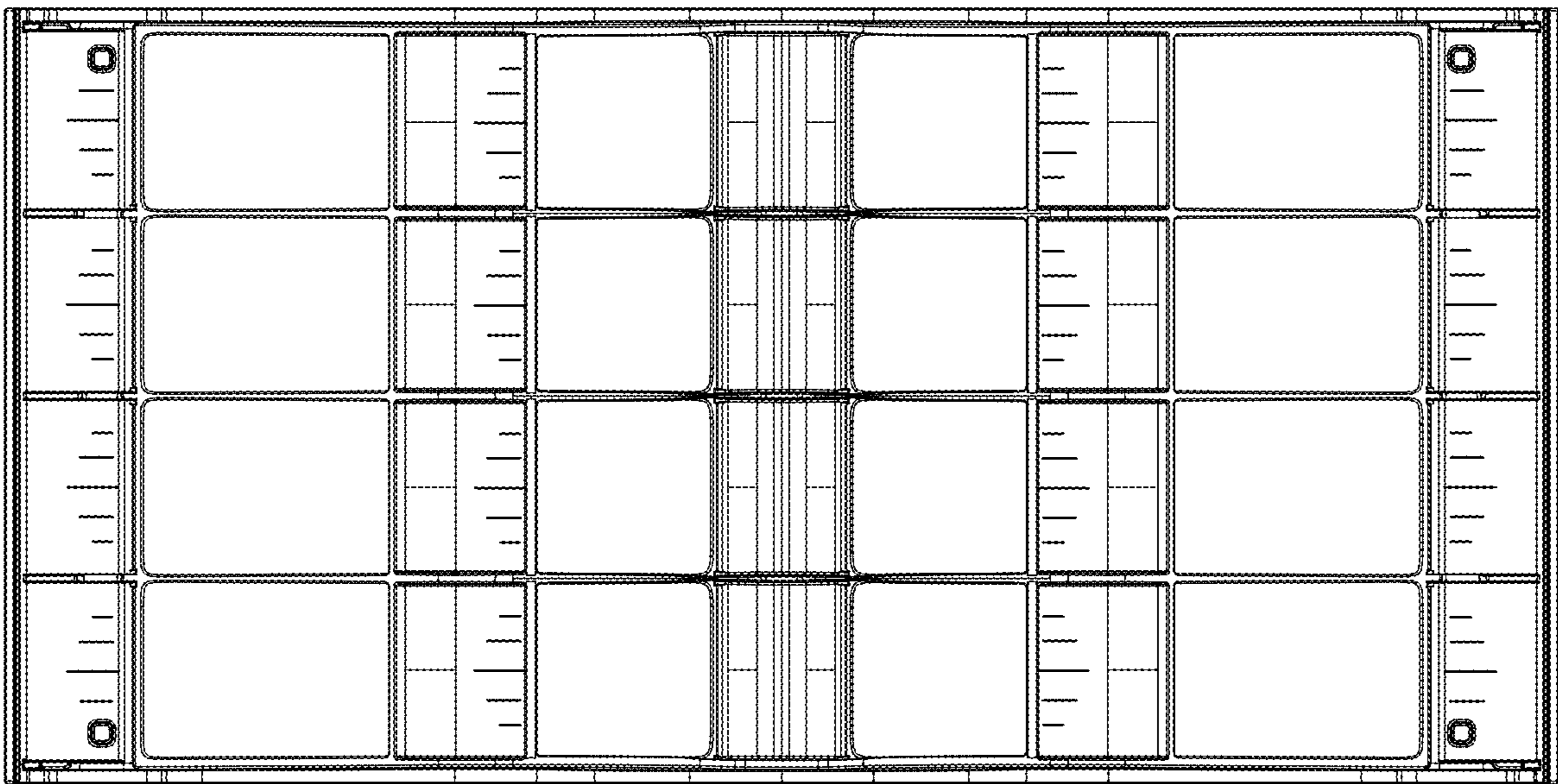


FIG. 4

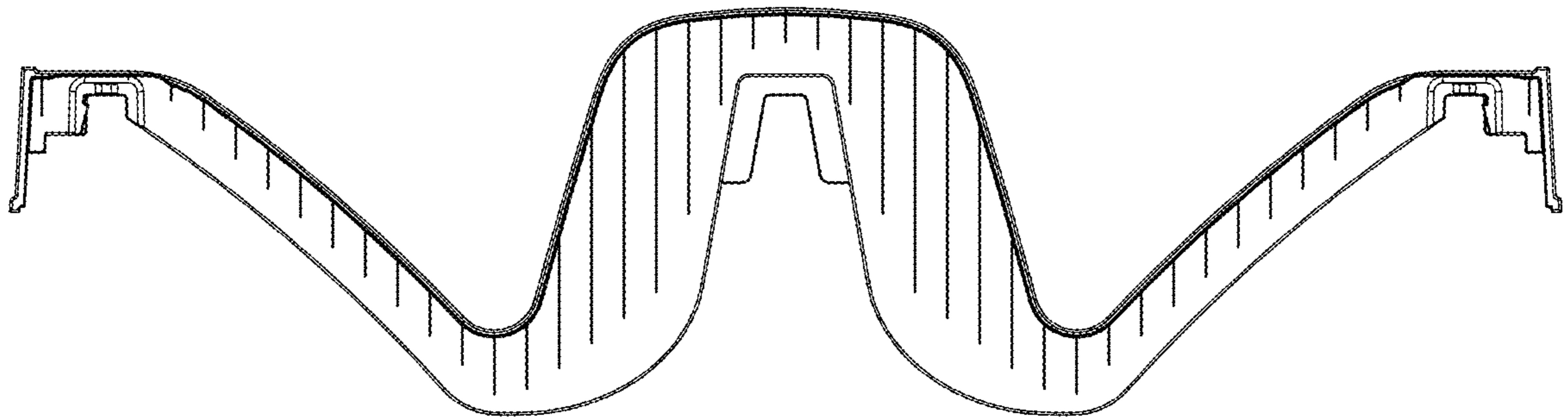


FIG. 5

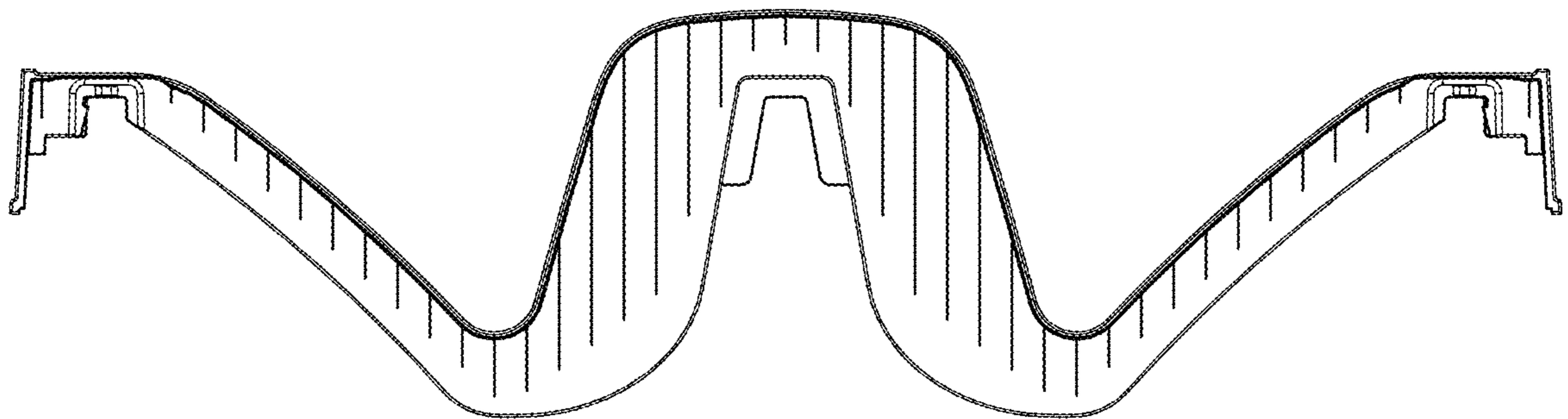


FIG. 6

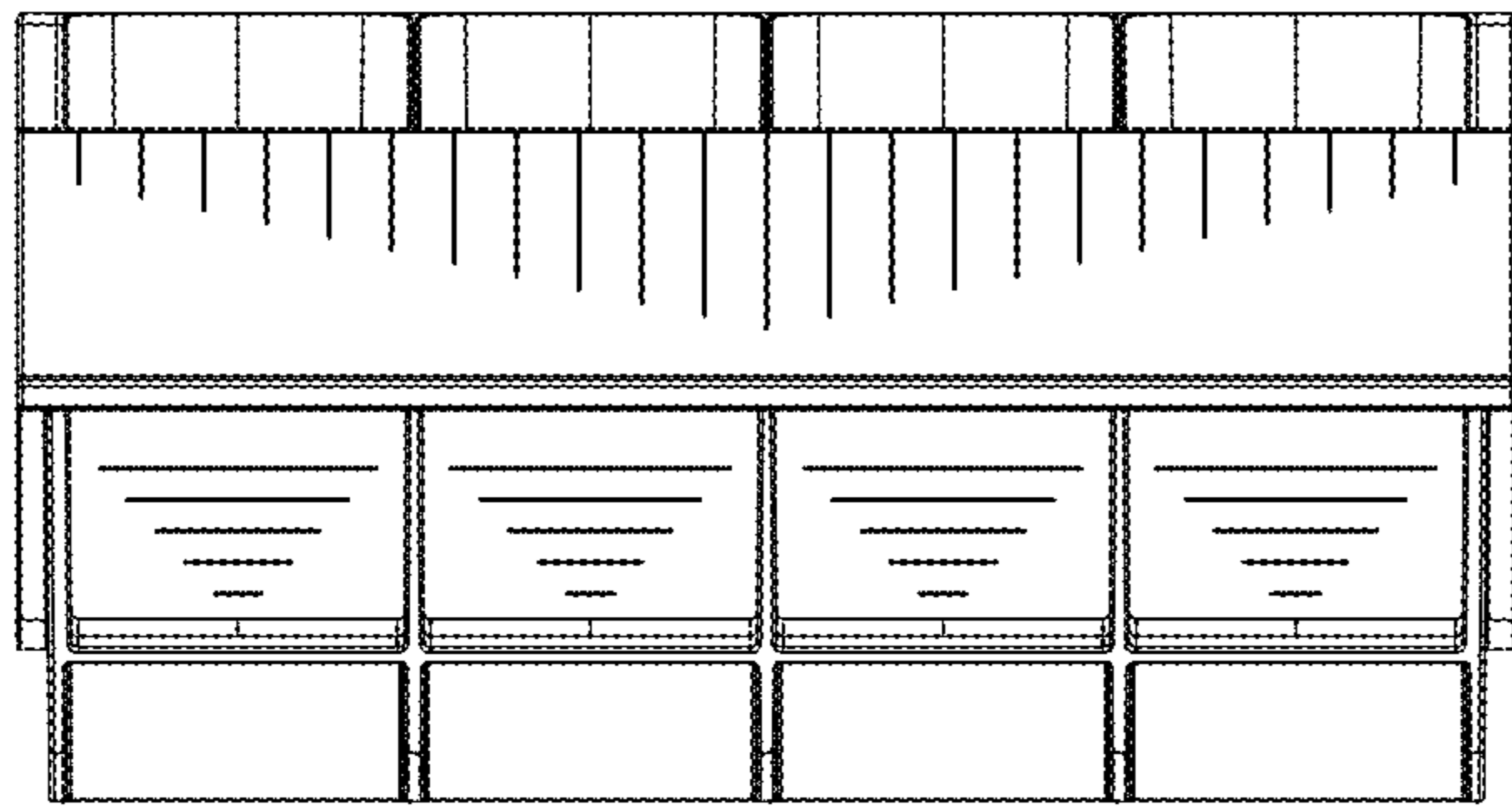


FIG. 7

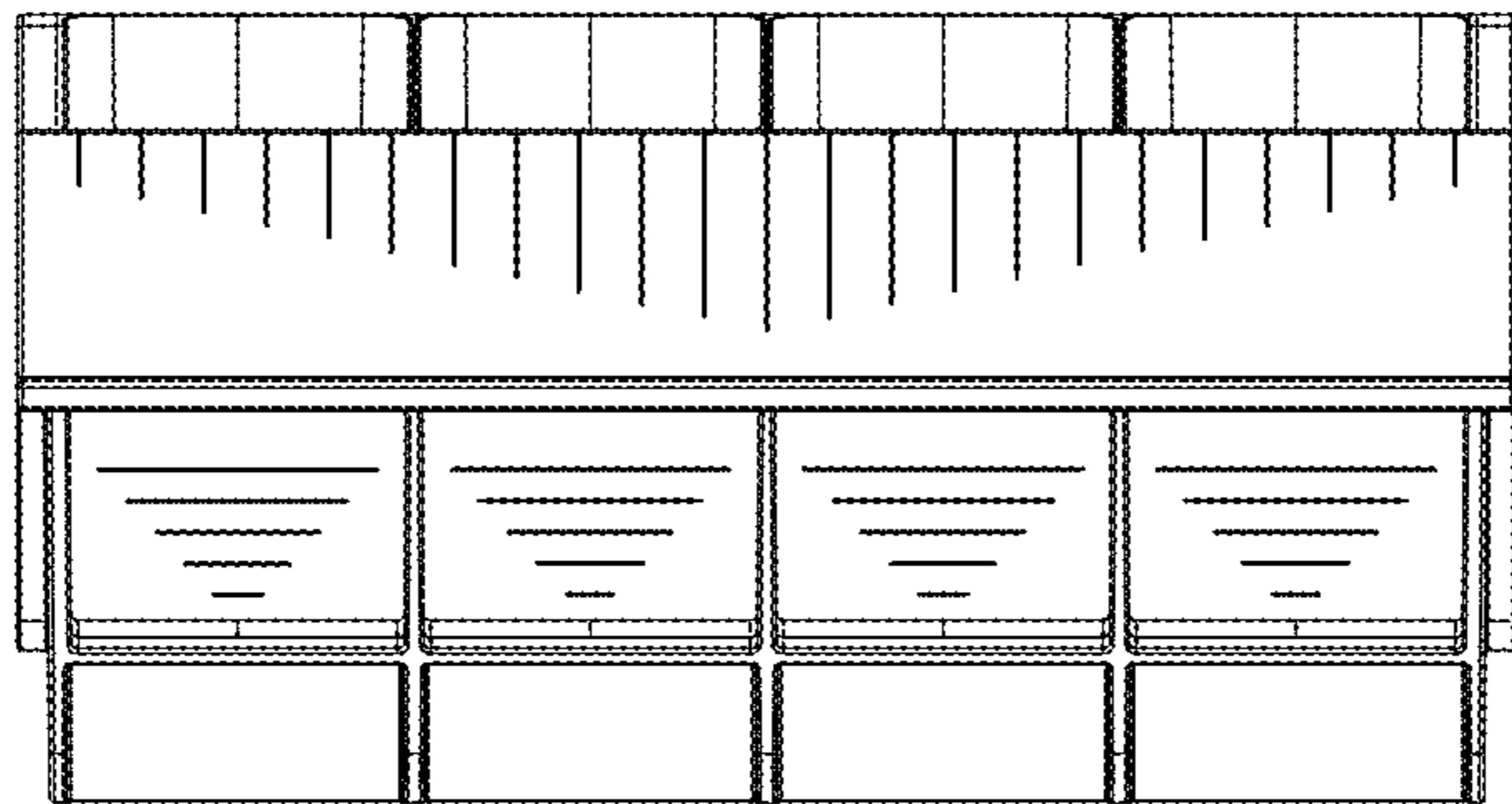


FIG. 8

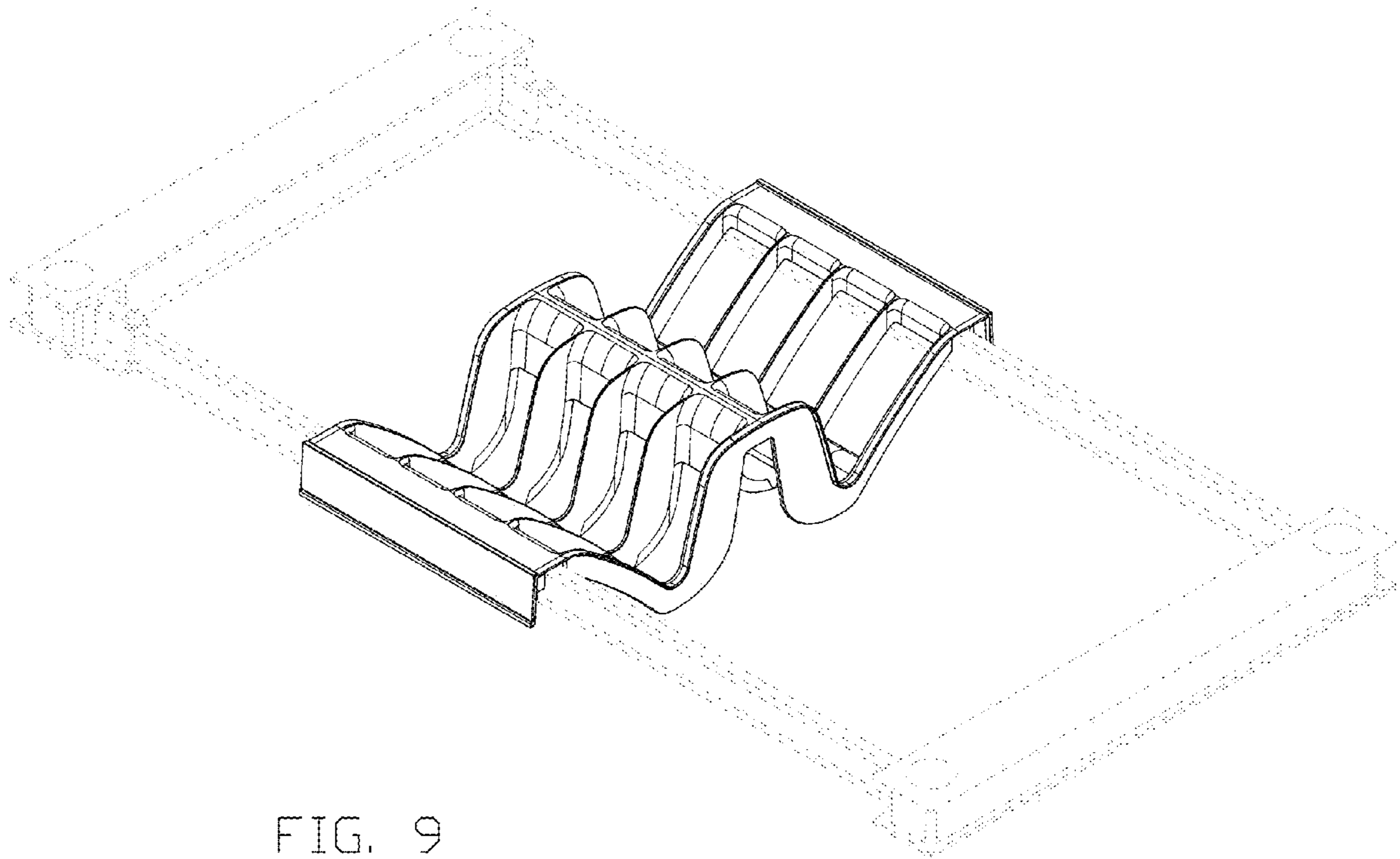


FIG. 9