

US00D962575S

(12) **United States Design Patent**
Harrington et al.

(10) **Patent No.:** **US D962,575 S**

(45) **Date of Patent:** **** Aug. 30, 2022**

(54) **BUCKET FOR FLOOR CLEANING**

(71) Applicant: **Unger Marketing International, LLC**,
Bridgeport, CT (US)

(72) Inventors: **William Harrington**, Newtown, CT
(US); **Robert F. Smith**, Waterbury, CT
(US); **Joseph K. Patterson**, Monroe,
CT (US)

(73) Assignee: **UNGER MARKETING**
INTERNATIONAL, LLC, Bridgeport,
CT (US)

(**) Term: **15 Years**

(21) Appl. No.: **29/789,446**

(22) Filed: **Sep. 23, 2021**

Related U.S. Application Data

(62) Division of application No. 29/678,327, filed on Jan.
28, 2019.

(51) **LOC (13) Cl.** **07-05**

(52) **U.S. Cl.**
USPC **D32/53**

(58) **Field of Classification Search**
USPC D32/27, 37, 53, 53.1, 54
CPC B44D 3/123; B44D 3/128; B44D 3/12;
B44D 3/126; B44D 3/127; B65D
2543/00092; A47L 13/50; A47L 13/58;
A47L 13/59; A47L 13/60; A47L
13/255-258
See application file for complete search history.

(56) **References Cited**

U.S. PATENT DOCUMENTS

2,796,617 A 6/1957 Remington
3,280,418 A 10/1966 Schonberger

D236,075 S * 7/1975 Golden D32/53
4,161,799 A 7/1979 Sorrells
4,704,763 A 11/1987 Sacks et al.
4,912,804 A 4/1990 Pasbol
5,774,929 A 7/1998 Jurgens et al.
6,062,389 A * 5/2000 Kent B44D 3/12
15/257.05
6,115,878 A 9/2000 McLaughlin et al.
6,279,195 B1 8/2001 Biggs
6,996,873 B2 2/2006 Salmon
7,174,600 B2 2/2007 Kresse et al.

(Continued)

FOREIGN PATENT DOCUMENTS

BE 1009731 A6 7/1997
CA 1306592 C 8/1992

(Continued)

Primary Examiner — Calvin E Vansant

(74) *Attorney, Agent, or Firm* — Cantor Colburn LLP

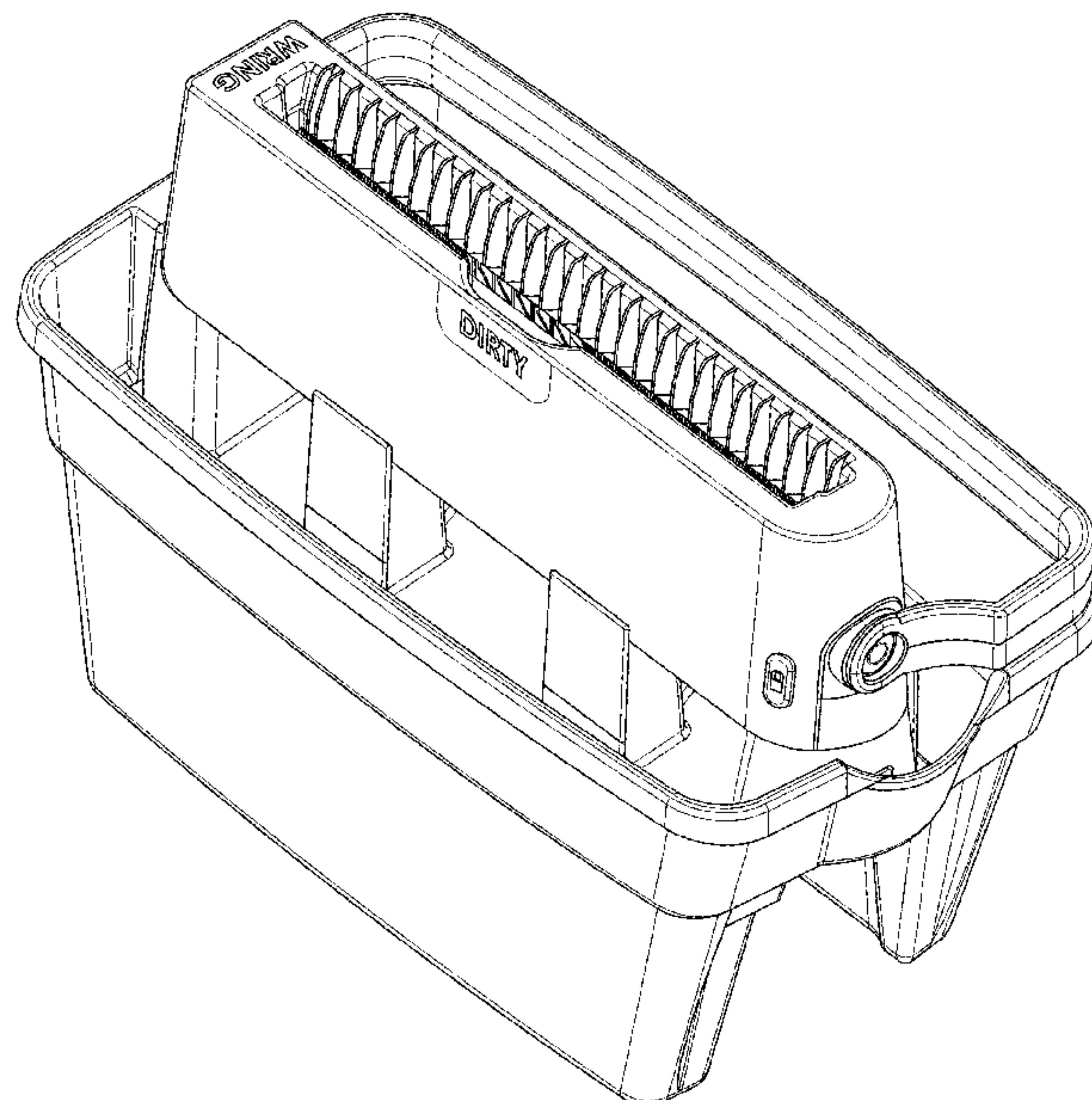
(57) **CLAIM**

The ornamental design for a bucket for floor cleaning, as
shown and described.

DESCRIPTION

FIG. 1 is a perspective view of a bucket, showing our new
design;
FIG. 2 is another top perspective view of bucket of FIG. 1;
FIG. 3 is a bottom perspective view of the bucket of FIG. 1
FIG. 4 is a front view of the bucket shown in FIG. 1;
FIG. 5 is a rear view of the bucket shown in FIG. 1;
FIG. 6 is a side view of the bucket shown in FIG. 1;
FIG. 7 is another side view of the bucket shown in FIG. 1;
FIG. 8 is a top view of the bucket shown in FIG. 1; and,
FIG. 9 is a bottom view of the bucket shown in FIG. 1.
The broken lines depict portions of a bucket for floor
cleaning that form no part of the claimed design.

1 Claim, 9 Drawing Sheets



(56)

References Cited

U.S. PATENT DOCUMENTS

D546,012 S * 7/2007 Casteel B44D 3/12
 D32/53
 8,381,931 B1 2/2013 Ernest, III
 D684,329 S * 6/2013 Church D32/53.1
 8,474,089 B2 7/2013 Goentzel
 8,479,352 B2 7/2013 Rivadulla Oliva
 8,567,616 B2 10/2013 Mishan et al.
 D694,975 S * 12/2013 Lambertson, Jr. D32/53
 D694,977 S * 12/2013 Libman D32/53
 D694,979 S * 12/2013 Lambertson, Jr. D32/54
 8,652,263 B2 2/2014 Goentzel
 8,771,428 B1 7/2014 Goentzel
 D728,883 S * 5/2015 Kempton D32/53.1
 D728,884 S * 5/2015 Waffensmith D32/54
 9,161,673 B2 10/2015 Tronconi et al.
 D759,926 S * 6/2016 Leonard D32/53
 D801,610 S * 10/2017 Nadin D32/53
 D824,627 S * 7/2018 Brugora D32/54
 2006/0048330 A1 3/2006 Rust et al.
 2008/0006640 A1 1/2008 Natale
 2018/0199788 A1 7/2018 Huang
 2019/0365193 A1* 12/2019 Smith A47L 13/256

FOREIGN PATENT DOCUMENTS

CN 2081281 U 7/1991
 CN 200987655 Y 12/2007
 CN 201384477 Y 1/2010

CN 101843468 A 9/2010
 CN 201675888 U 12/2010
 CN 202211661 U 5/2012
 CN 202313166 U 7/2012
 CN 102711578 A 10/2012
 CN 202821248 U 3/2013
 CN 205391076 U 7/2016
 CN 205493747 U 8/2016
 CN 105996932 A 10/2016
 CN 205625834 U 10/2016
 CN 205729277 U 11/2016
 CN 205831737 U 12/2016
 CN 206080445 U 4/2017
 CN 206080446 U 4/2017
 CN 206151396 U 5/2017
 CN 206381142 U 8/2017
 CN 107115077 A 9/2017
 CN 107456178 A 12/2017
 CN 107456179 A 12/2017
 CN 107495914 A 12/2017
 CN 107518843 A 12/2017
 CN 105640460 B 3/2018
 DE 4318792 A1 12/1994
 EP 2848178 A2 3/2015
 GB 396469 A 8/1933
 GB 1277932 A 6/1972
 JP H10304998 A 11/1998
 WO 9210968 A1 7/1992
 WO 2017193609 A1 11/2017
 WO 2017206511 A1 12/2017

* cited by examiner

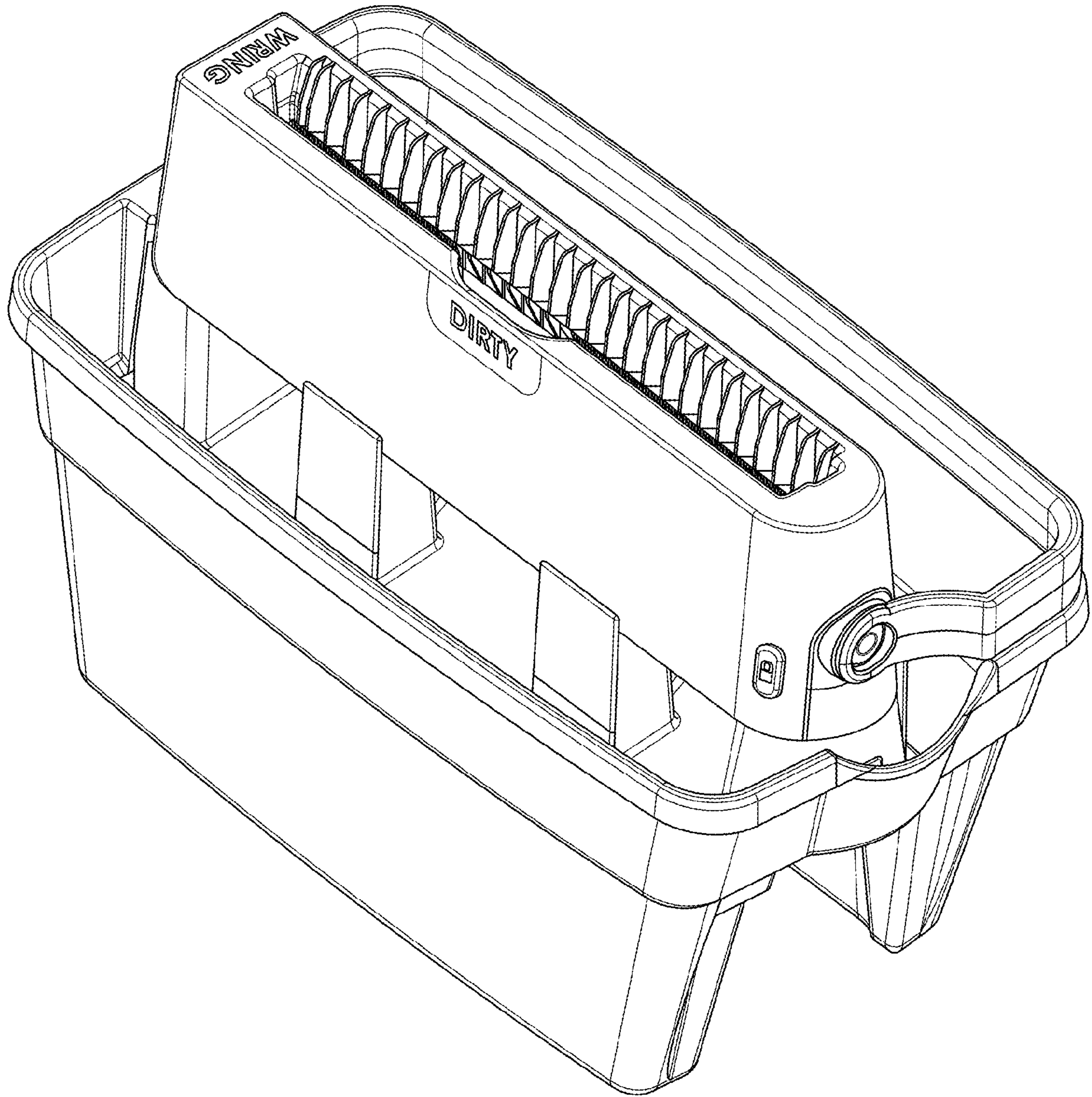


FIG. 1

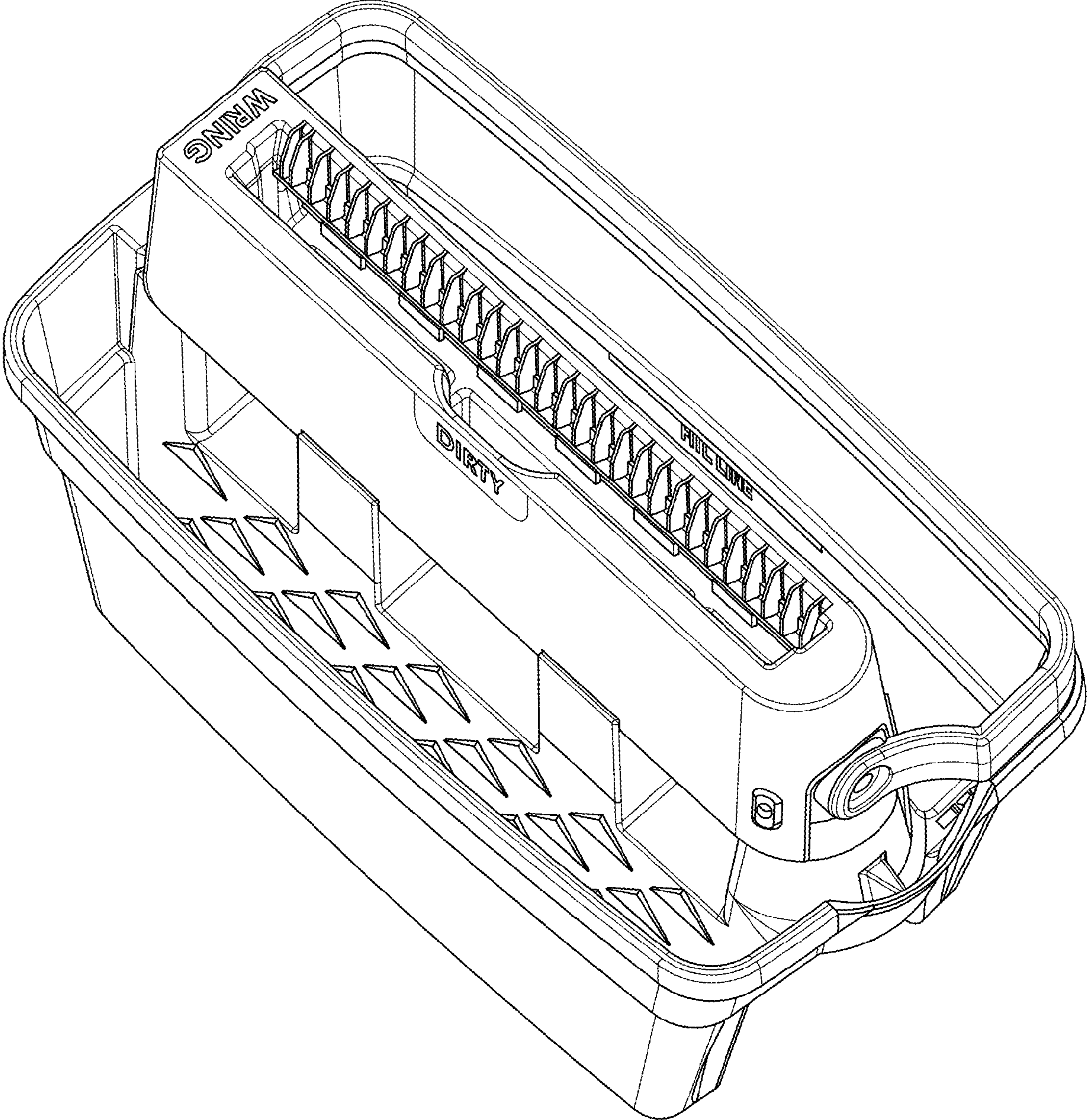


FIG. 2

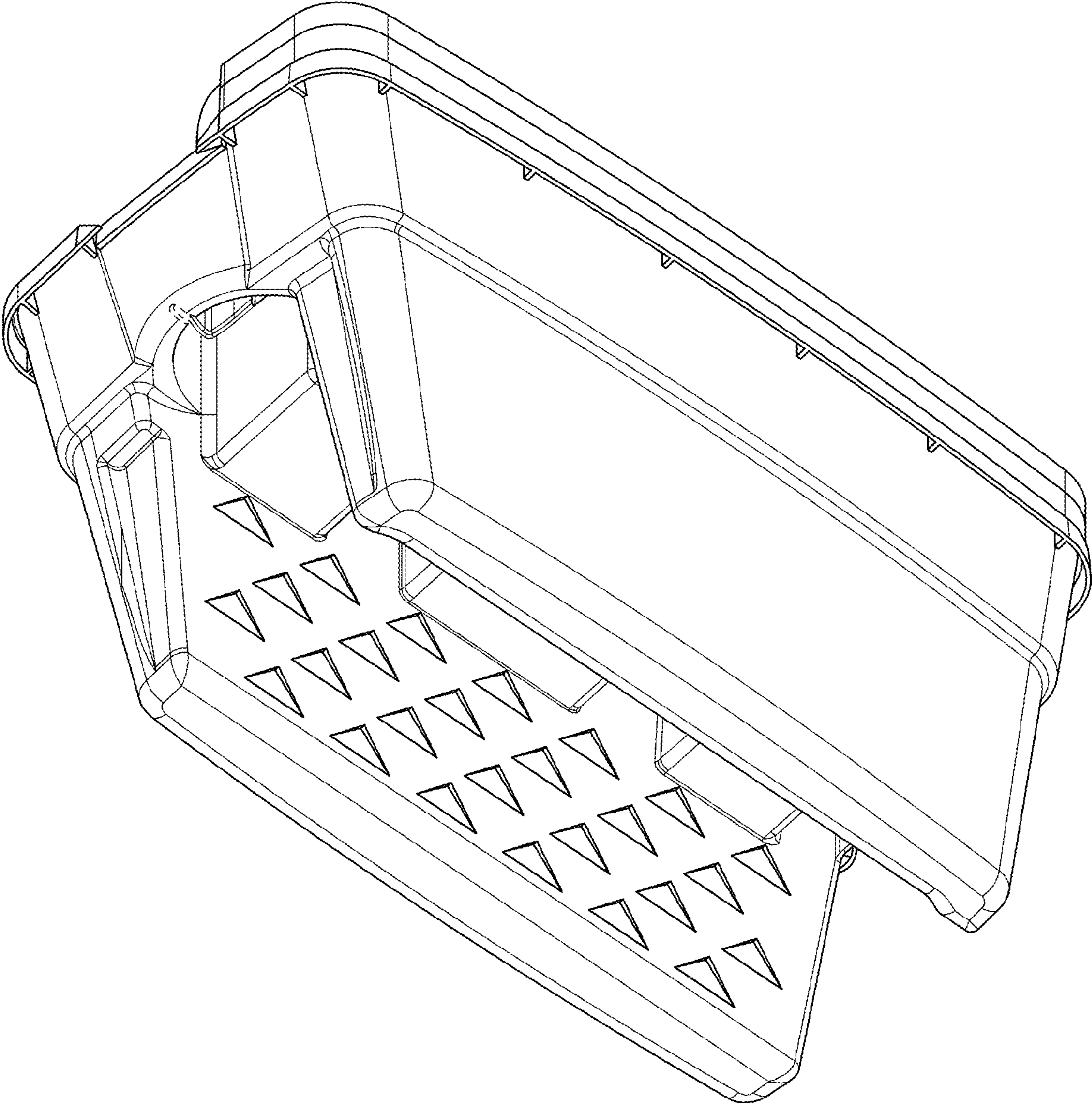


FIG. 3

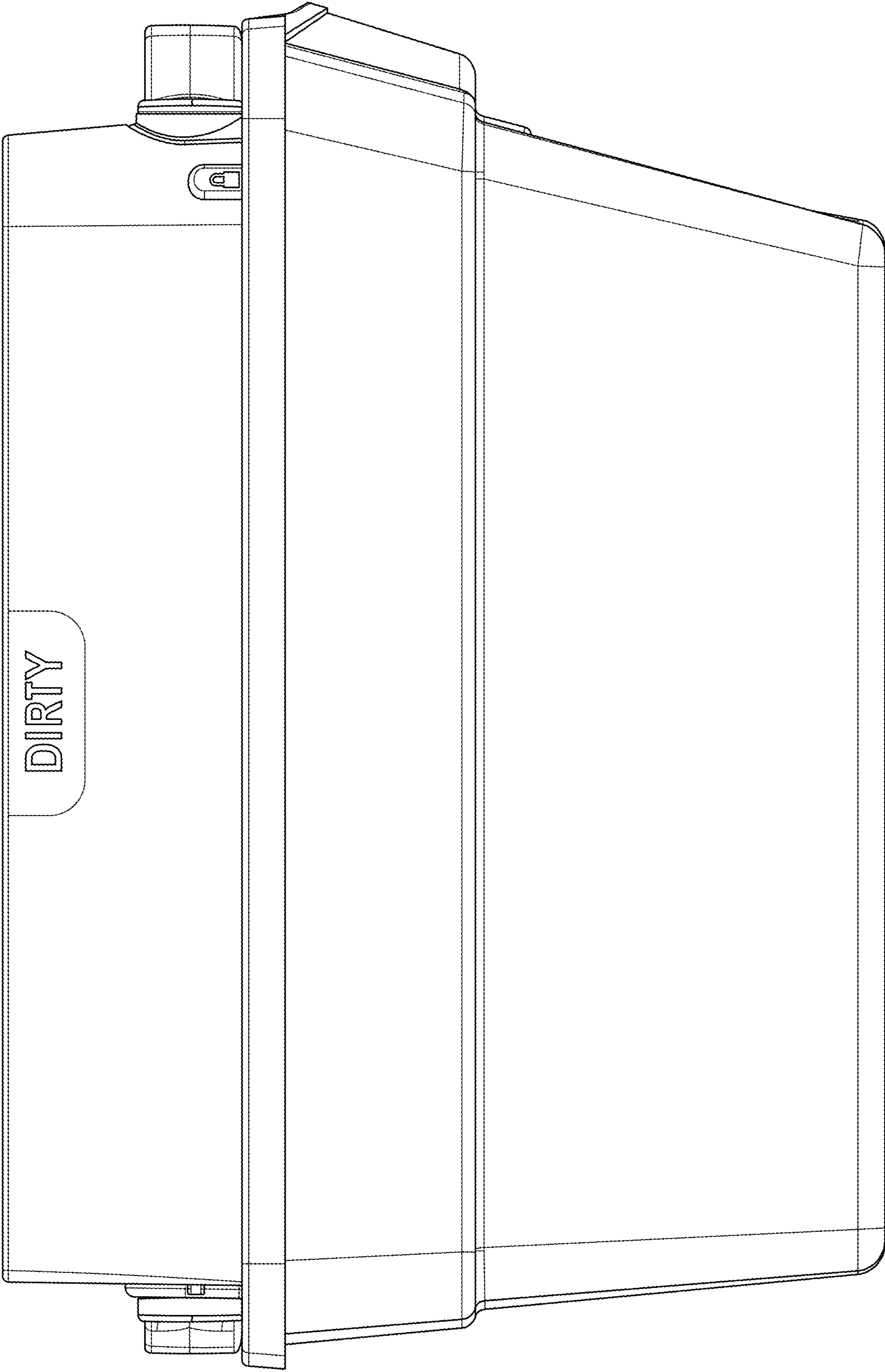


FIG. 4

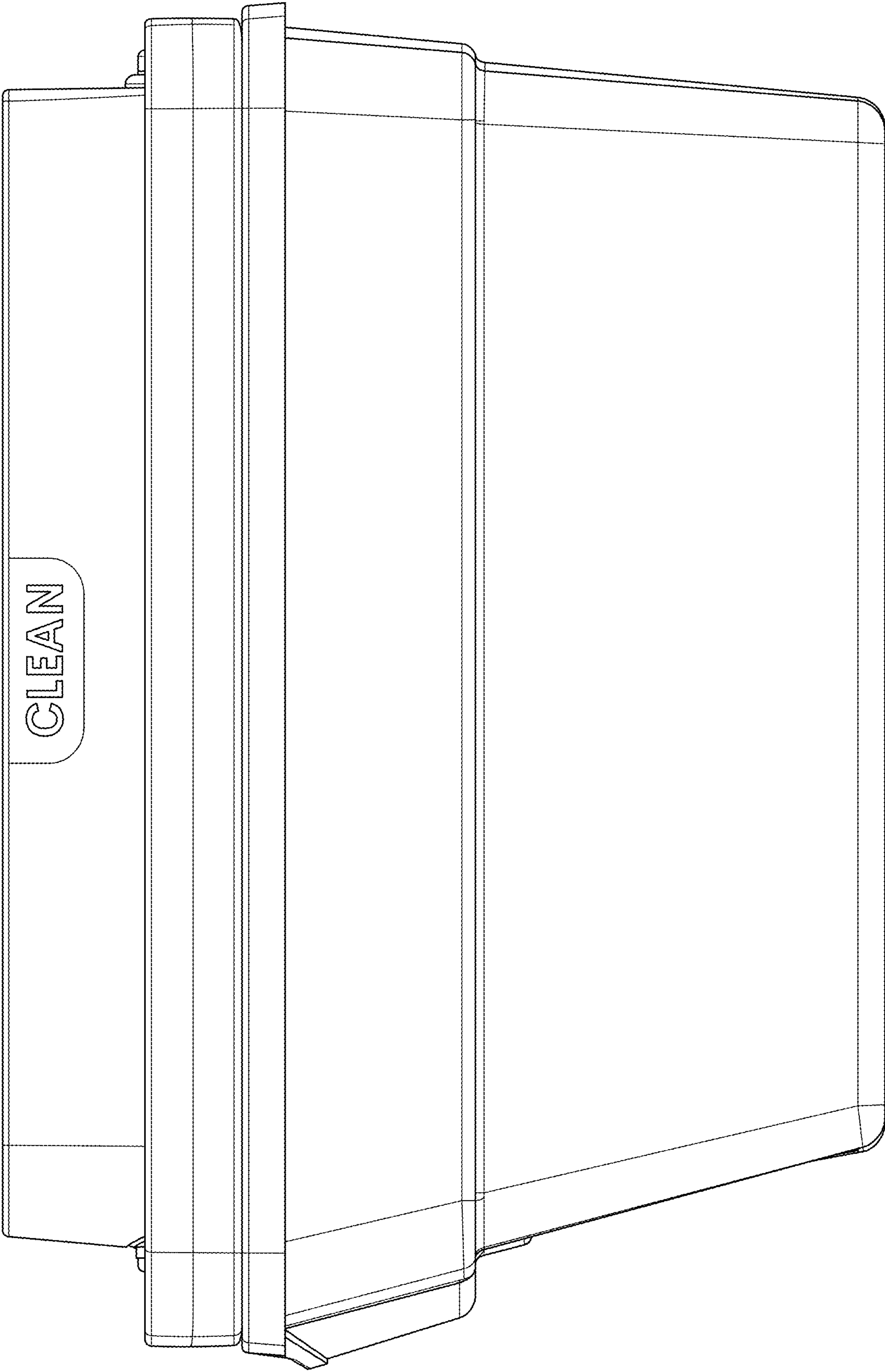


FIG. 5

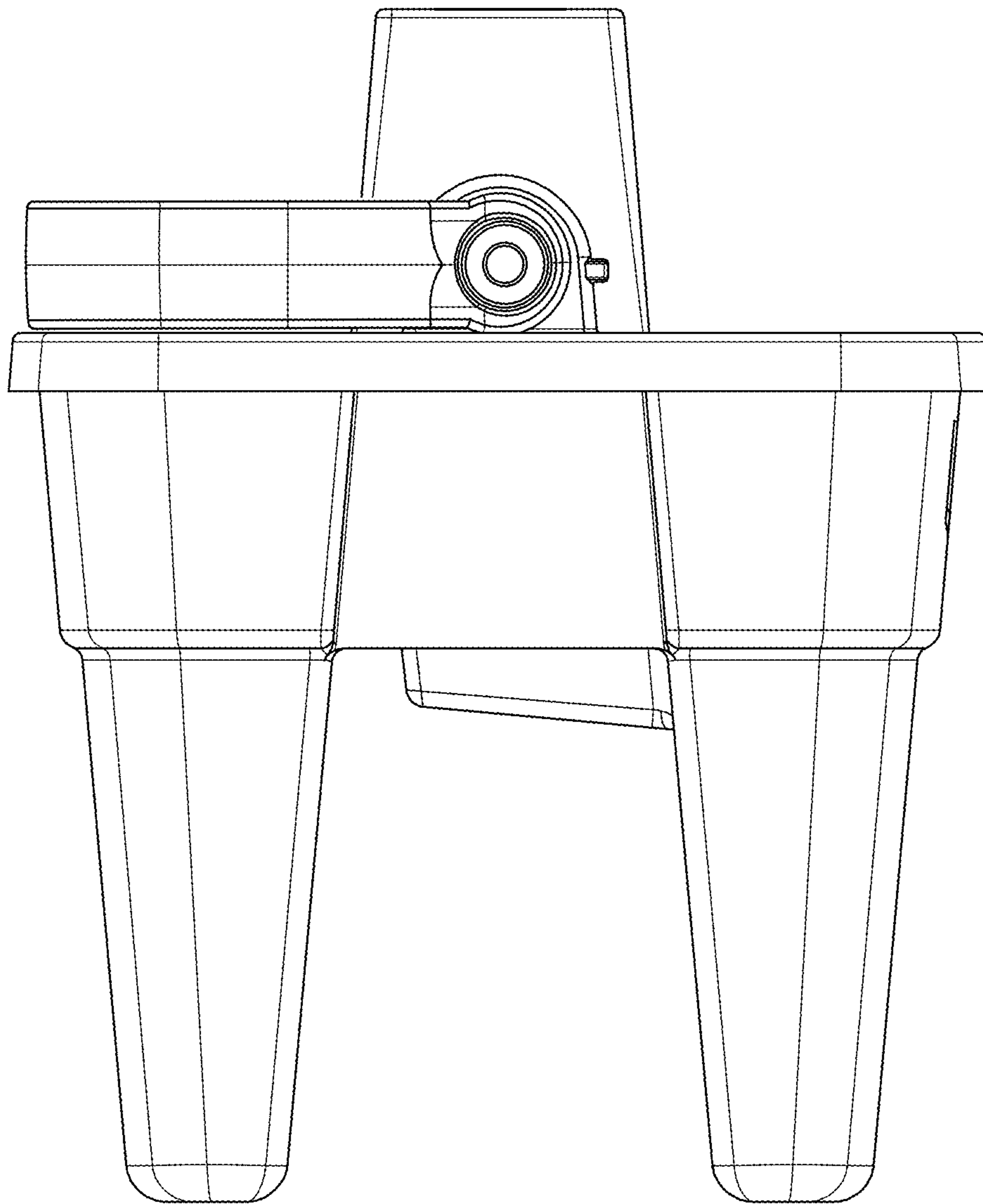


FIG. 6

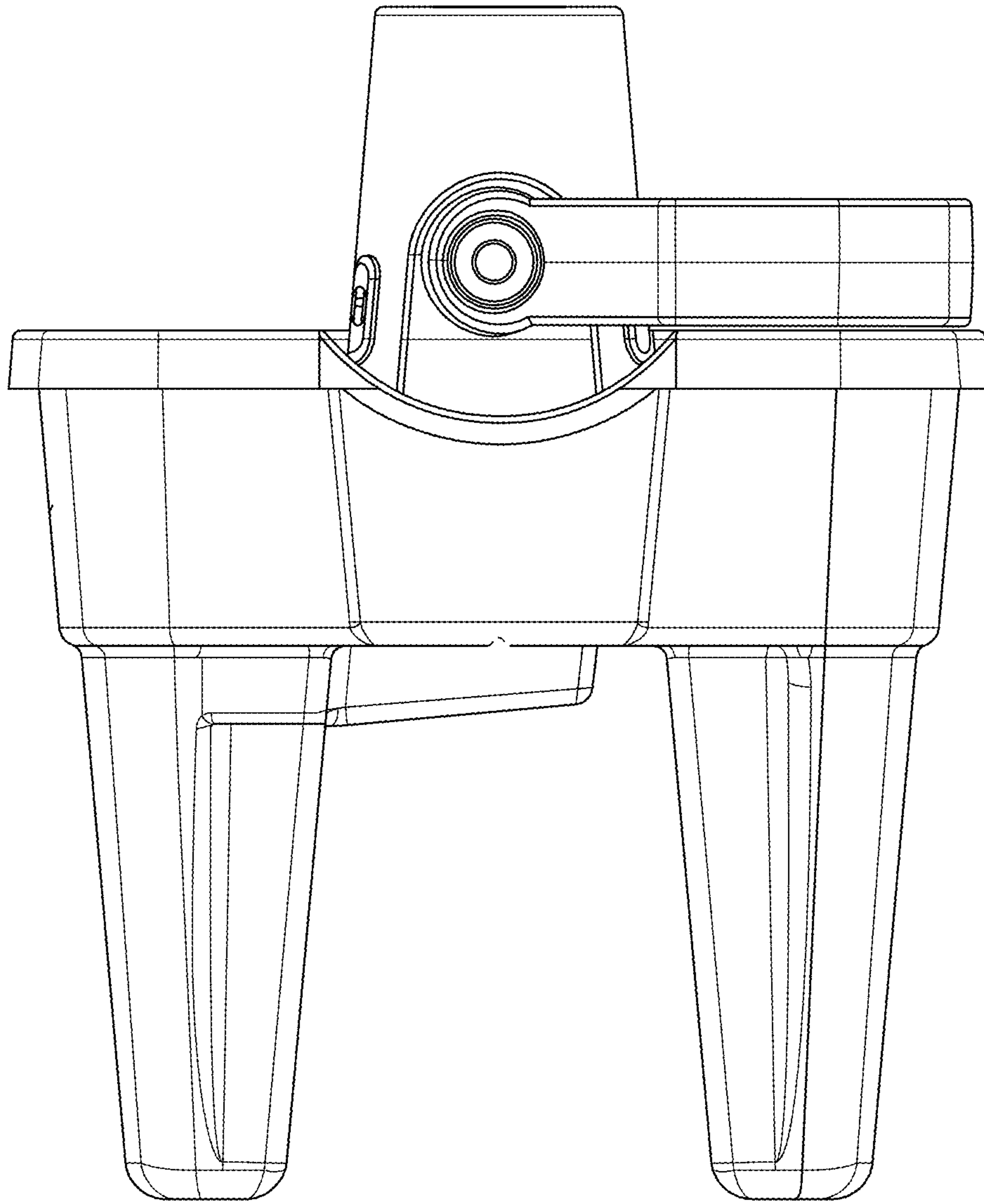


FIG. 7

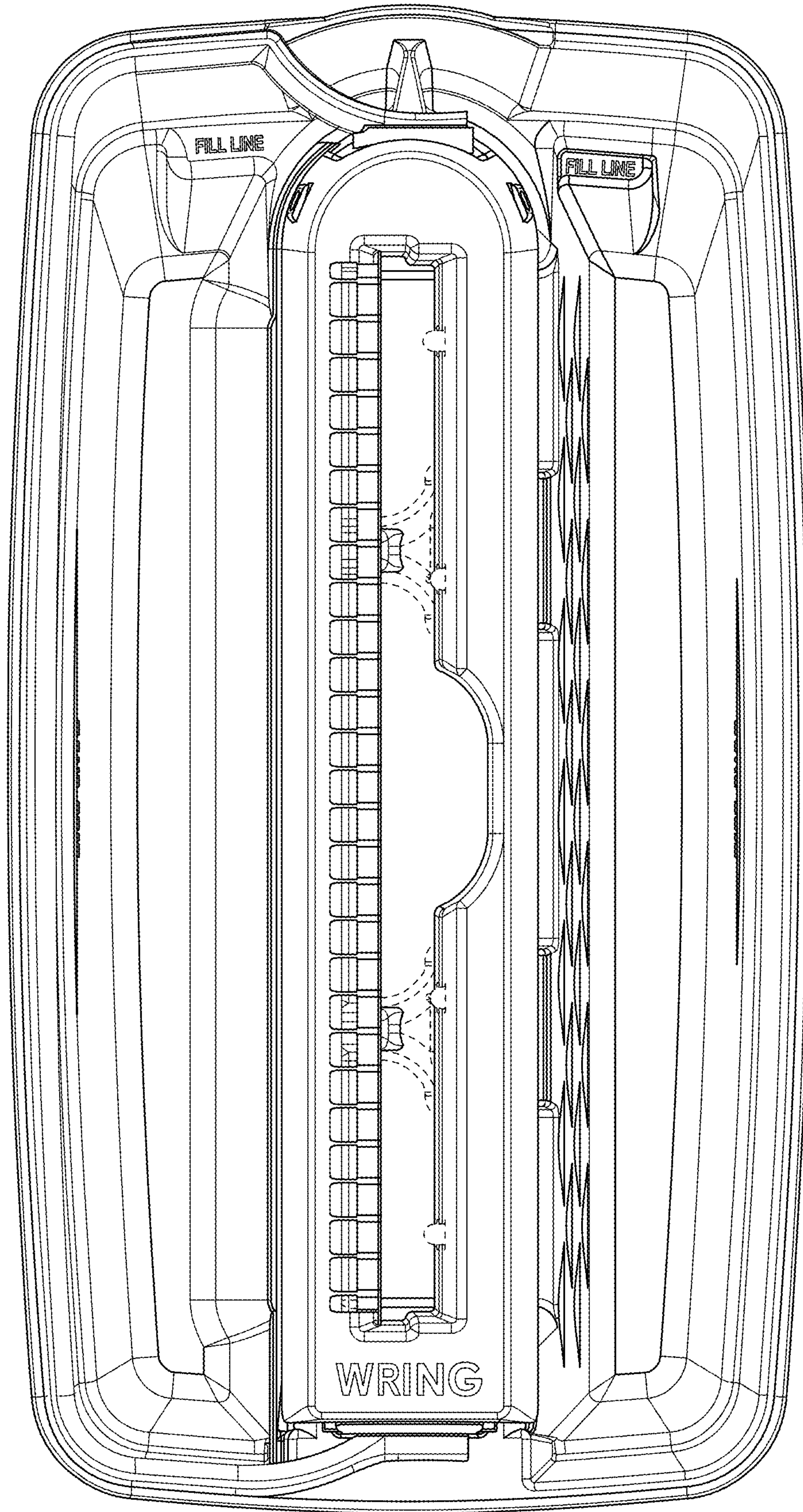


FIG. 8

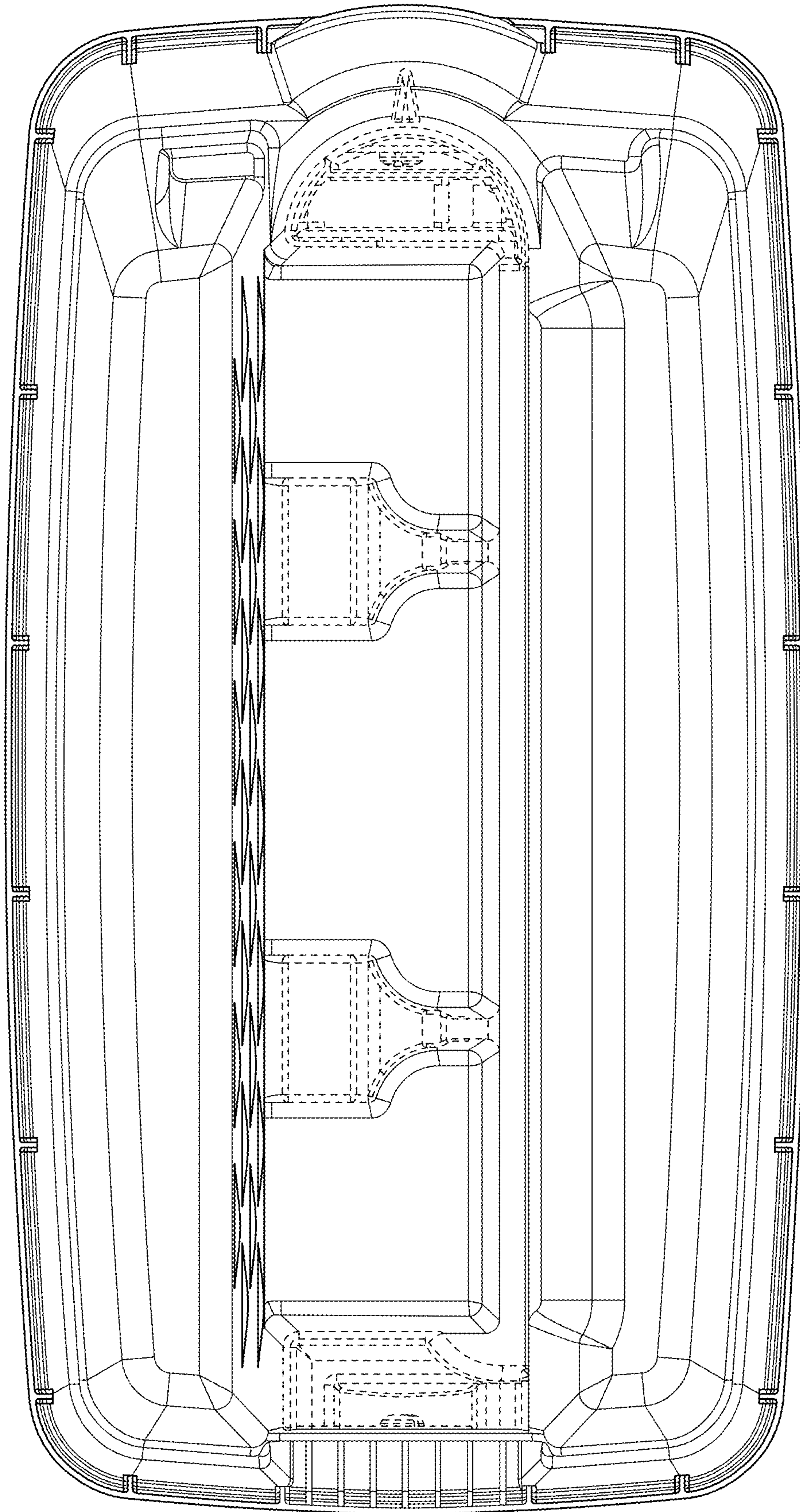


FIG. 9