

US00D962573S

(12) **United States Design Patent**
Han et al.

(10) **Patent No.:** **US D962,573 S**

(45) **Date of Patent:** **** Aug. 30, 2022**

(54) **FLOOR MOP**

7,210,188 B1 * 5/2007 Kirby A47L 13/16
15/244.4

(71) Applicant: **Kimberly-Clark Worldwide, Inc.**,
Neenah, WI (US)

D566,916 S * 4/2008 Nobile D32/40
D613,919 S * 4/2010 Robertson D32/40
D630,860 S * 1/2011 Sichel D5/58

(72) Inventors: **Dami Han**, Seongnam-si (KR);
ChoRom Kim, Seoul (KR); **SungJin Moon**, Gwangju-si (KR); **YuJeong Ha**,
Yongin-si (KR)

(Continued)

FOREIGN PATENT DOCUMENTS

(73) Assignee: **KIMBERLY-CLARK WORLDWIDE, INC.**,
Neenah, WI (US)

CN 304070213 * 9/2017
JP D1654257 * 8/2020

(**) Term: **15 Years**

Primary Examiner — John R Yeh

(74) *Attorney, Agent, or Firm* — Kimberly-Clark
Worldwide, Inc.

(21) Appl. No.: **29/733,195**

(57) **CLAIM**

(22) Filed: **Apr. 30, 2020**

We claim the ornamental design for a floor mop, as shown
and described.

(51) **LOC (13) Cl.** **07-05**

(52) **U.S. Cl.**
USPC **D32/50**

DESCRIPTION

(58) **Field of Classification Search**
USPC D32/40–43, 45, 50–52; D6/606
CPC A61B 6/501; A63H 33/305
See application file for complete search history.

FIG. 1 is a bottom plan view thereof;
FIG. 2 is a front elevation view thereof;
FIG. 3 is a rear elevation view thereof;
FIG. 4 is a right-side elevation view thereof;
FIG. 5 is a left-side elevation view thereof;
FIG. 6 is a perspective view thereof; and,
FIG. 7 is an enlarged perspective view of the indication in
FIG. 6.

(56) **References Cited**

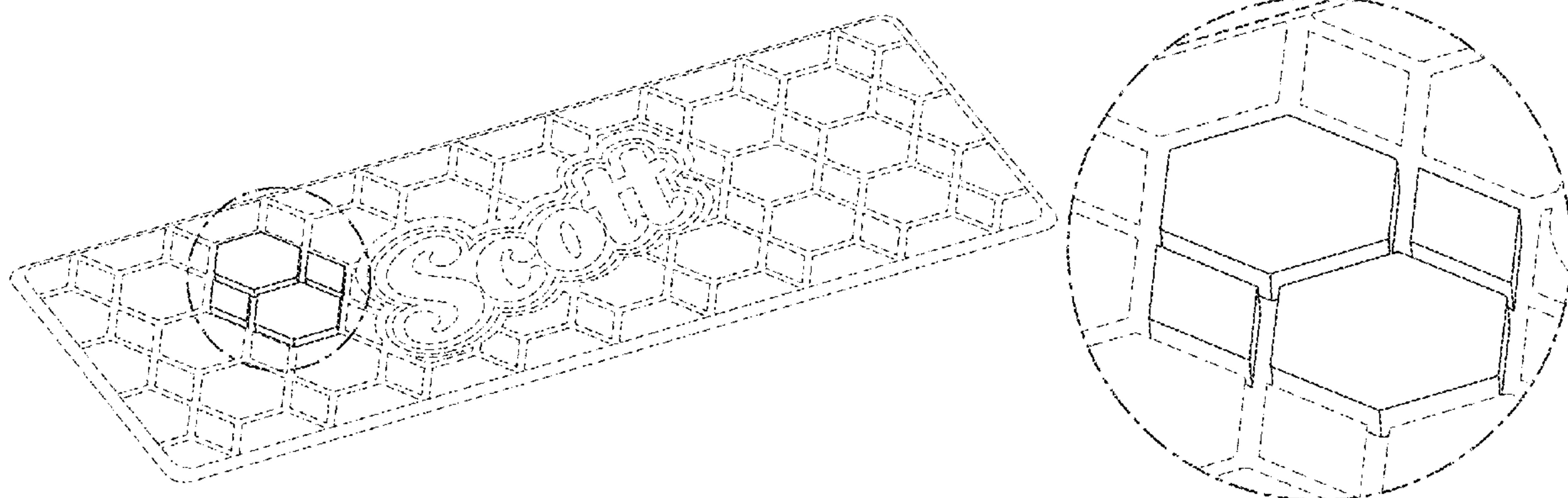
U.S. PATENT DOCUMENTS

5,709,598	A	*	1/1998	Nishio	H03M 13/41 451/526
D417,324	S	*	11/1999	Faris	D32/42
D429,545	S	*	8/2000	Denney	D32/40
D429,860	S	*	8/2000	Denney	D32/40
D429,861	S	*	8/2000	Denney	D32/40
D430,716	S	*	9/2000	Denney	D32/40
D431,100	S	*	9/2000	Denney	D32/40
D435,710	S	*	12/2000	Denney	D32/40
D446,895	S	*	8/2001	Denney	D32/40
D447,299	S	*	8/2001	Denney	D32/40
D447,610	S	*	9/2001	Denney	D32/40
D517,848	S	*	3/2006	Contreras	D6/596
D526,792	S	*	8/2006	Contreras	D6/608

The broken lines depict portions of the floor mop that form
no part of the claimed design.

A portion of the disclosure of this patent document contains
material which is subject to copyright and trade dress
protection. This patent document shows the Scott logo
which is trade dress of the assignee. The copyright and trade
dress owner has no objection to the facsimile reproduction
by anyone of the patent disclosure as it appears in the Patent
and Trademark Office patent files or records, but otherwise
reserves all copyright and trade dress rights whatsoever.

1 Claim, 4 Drawing Sheets



(56)

References Cited

U.S. PATENT DOCUMENTS

D638,186 S *	5/2011	Yoon	D32/50
D699,908 S *	2/2014	Fang	D5/47
D760,502 S *	7/2016	Oh	D5/99
D850,041 S *	5/2019	Endle	D32/40

* cited by examiner

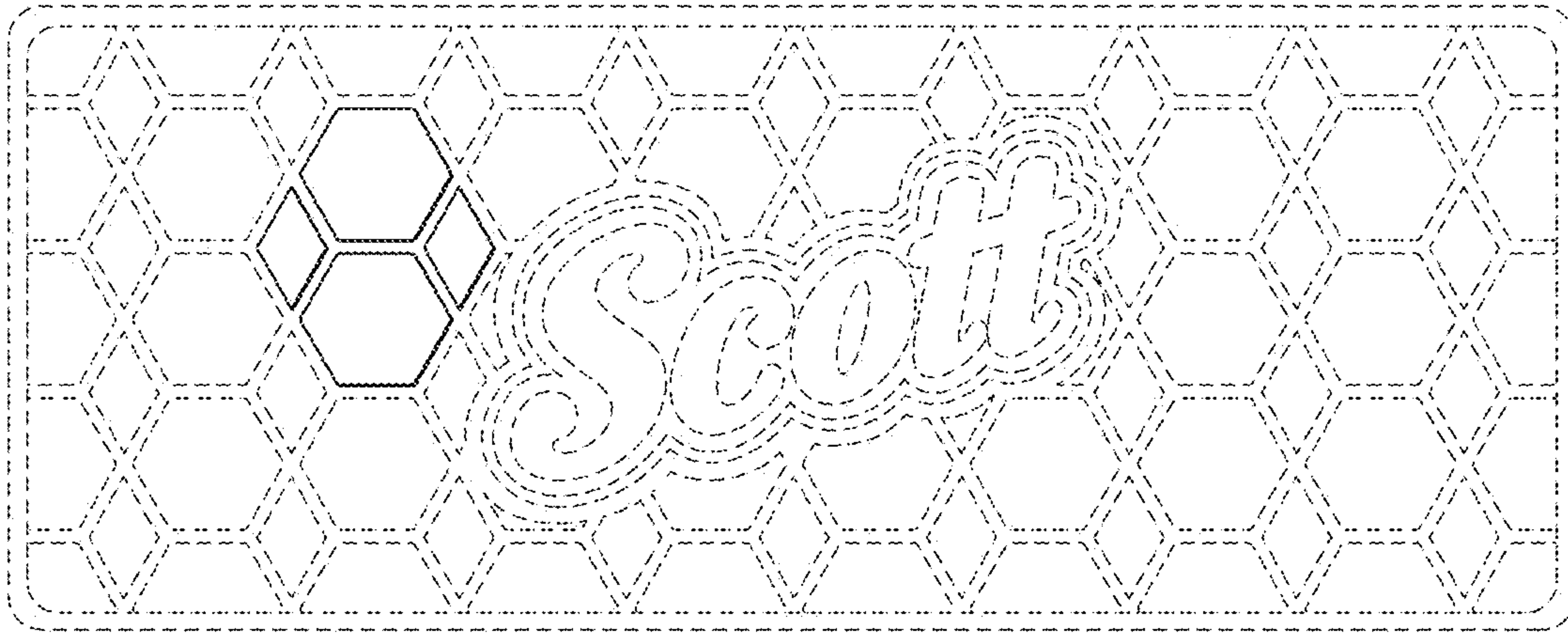


FIG. 1



FIG. 2

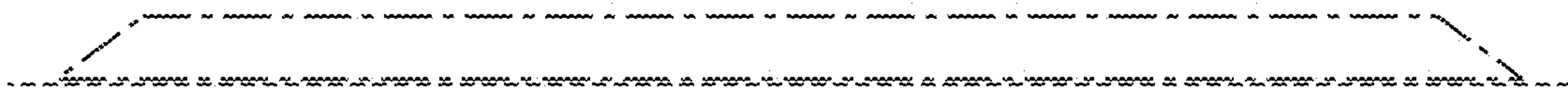


FIG. 3



FIG. 4



FIG. 5

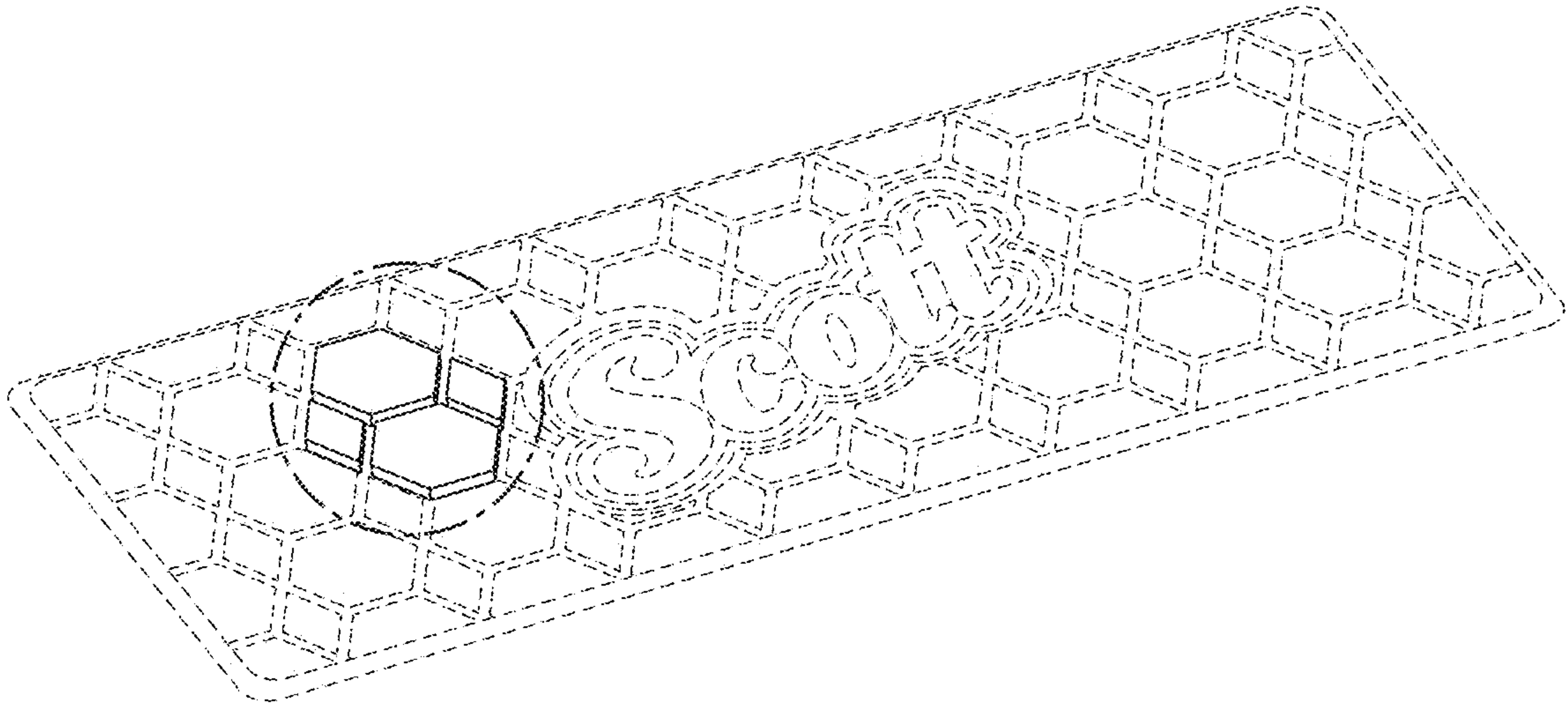


FIG. 6

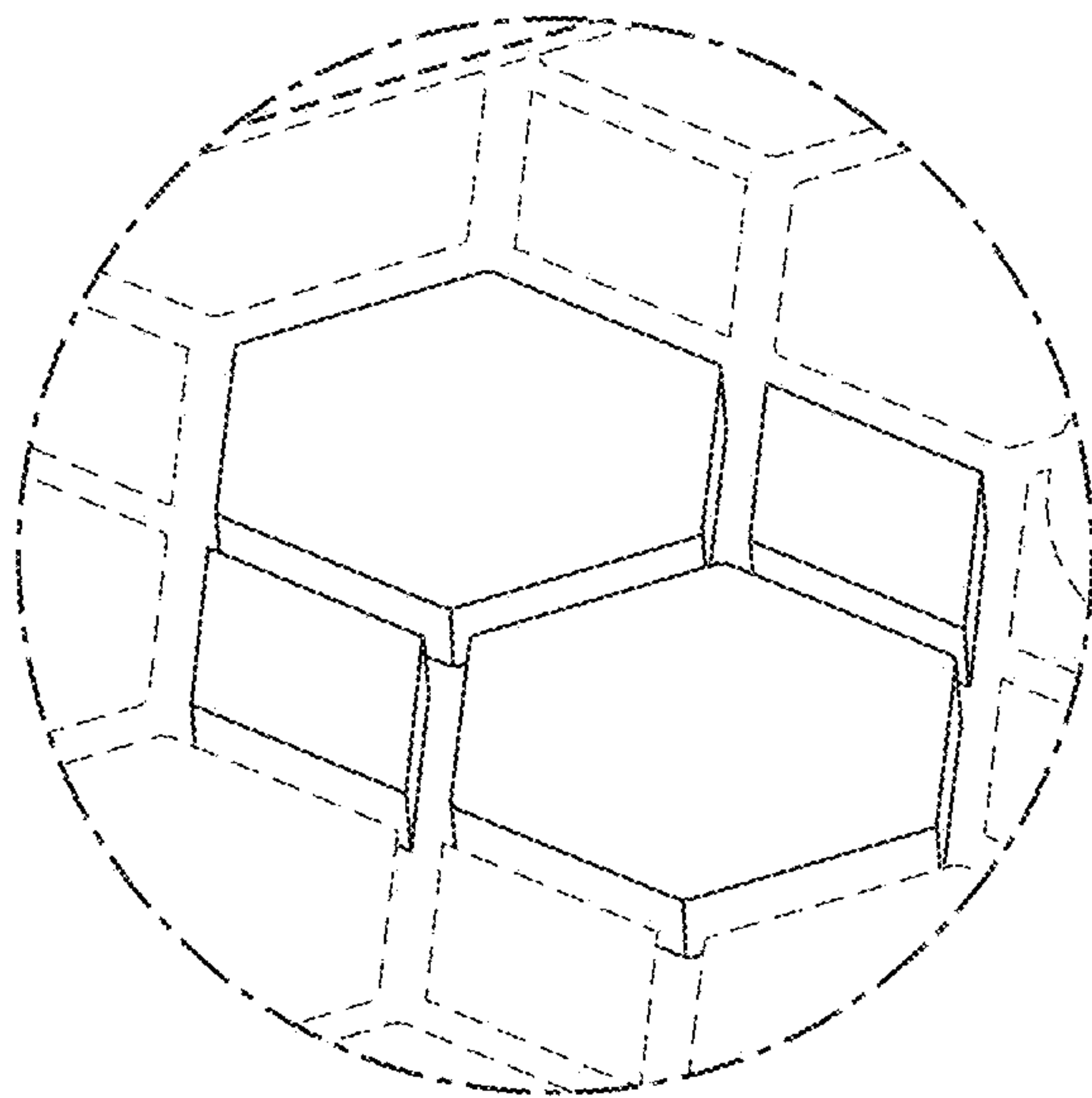


FIG. 7