

US00D962570S

(12) **United States Design Patent**
Palladino et al.

(10) **Patent No.:** **US D962,570 S**
(45) **Date of Patent:** **** Aug. 30, 2022**

(54) **VACUUM NOZZLE OF A VACUUM CLEANER**

(71) Applicant: **SharkNinja Operating, LLC**,
Needham, MA (US)

(72) Inventors: **Gary Palladino**, Sommerville, MA
(US); **Owen R. Johnson**, Needham,
MA (US)

(73) Assignee: **SHARKNINJA OPERATING LLC**,
Needham, MA (US)

(**) Term: **15 Years**

(21) Appl. No.: **29/738,142**

(22) Filed: **Jun. 15, 2020**

Related U.S. Application Data

(62) Division of application No. 29/659,733, filed on Aug.
10, 2018, now Pat. No. Des. 887,657.

(51) **LOC (13) Cl.** **15-05**

(52) **U.S. Cl.**
USPC **D32/32; D32/22**

(58) **Field of Classification Search**
USPC D32/17-25, 31-34
CPC A47L 7/00; A47L 9/02; A47L 5/28; A47L
9/102; A47L 9/1608; A47L 9/1683; A47L
5/30; A47L 9/00; A47L 9/04; A47L
9/0422; A47L 9/0461; A47L 9/06; A47L
9/0488; A47L 11/00; A47L 11/20; A47L
11/22; A47L 11/24; A47L 11/32; A47L
11/302; A47L 11/40
See application file for complete search history.

(56) **References Cited**

U.S. PATENT DOCUMENTS

9,027,198 B2 * 5/2015 Conrad A47L 9/1666
15/344
D738,584 S * 9/2015 Niedzwecki D32/22

9,516,979 B2 * 12/2016 Gidwell A47L 5/225
D781,014 S * 3/2017 Wu D32/32
9,661,964 B2 * 5/2017 Conrad A47L 9/30
D799,767 S * 10/2017 Palladino D32/22
9,883,781 B2 * 2/2018 Thorne A47L 9/16
D814,723 S * 4/2018 Palladino D32/31
9,955,832 B2 * 5/2018 Thorne A47L 5/30

(Continued)

OTHER PUBLICATIONS

Shark Rocket Corded ZS351 Vacuum with Zero-M Review (on-
line), dated Jan. 18, 2019. Retrieved from Internet Oct. 7, 2021,
URL: <https://www.youtube.com/watch?v=9qqn5xHCA8Q> (1 page)
(Year: 2019).*

(Continued)

Primary Examiner — Kimberly Barnes
(74) *Attorney, Agent, or Firm* — Grossman, Tucker,
Perreault & Pflieger, PLLC

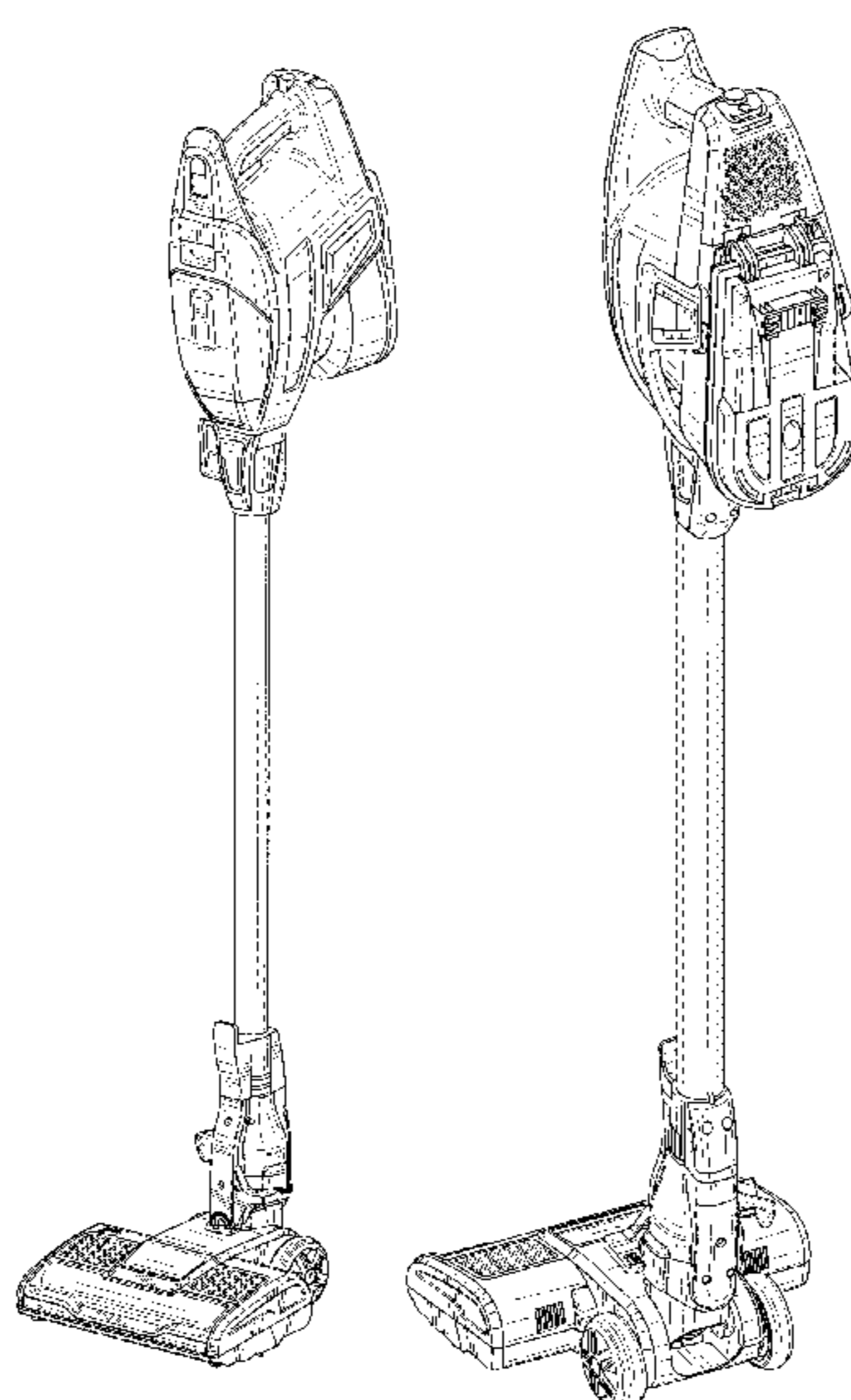
(57) **CLAIM**

We claim the ornamental design for a vacuum nozzle of a
vacuum cleaner, as shown and described.

DESCRIPTION

FIG. 1 is a front, top, right perspective view of a vacuum
nozzle of a vacuum cleaner;
FIG. 2 is a front, top, left perspective view thereof;
FIG. 3 is a rear, top, left perspective view thereof;
FIG. 4 is a front view thereof;
FIG. 5 is a rear view thereof;
FIG. 6 is a left side view thereof;
FIG. 7 is a right side view thereof;
FIG. 8 is a top view thereof; and,
FIG. 9 is a bottom view thereof.
Broken lines in the drawings are for the purpose of illus-
trating portions of the vacuum nozzle of a vacuum cleaner
that form no part of the claimed design.

1 Claim, 8 Drawing Sheets



(56)

References Cited

U.S. PATENT DOCUMENTS

D827,955	S *	9/2018	Palladino	D32/18
D837,469	S *	1/2019	Johnson	D32/22
D844,913	S *	4/2019	Palladino	D32/18
D868,400	S *	11/2019	Niedzwecki	D32/18
D871,695	S *	12/2019	Niedzwecki	D32/22
10,531,771	B2 *	1/2020	Thorne	A47L 5/225
D874,757	S *	2/2020	Chei	D32/18
D887,656	S *	6/2020	Chei	D32/22
D887,657	S *	6/2020	Palladino	D32/22
10,765,279	B2 *	9/2020	Conrad	A46B 3/16
10,806,317	B2 *	10/2020	Conrad	A47L 9/1616
10,932,631	B2 *	3/2021	Conrad	A46B 13/006
11,013,383	B2 *	5/2021	Conrad	A47L 9/2878
D924,509	S *	7/2021	Niedzwecki	D32/22
11,247,245	B2 *	2/2022	Brown	B08B 1/005
2019/0216280	A1 *	7/2019	Conrad	A47L 5/24
2020/0129021	A1 *	4/2020	Davila	A47L 9/0433

OTHER PUBLICATIONS

Shark Rocket Zero-M Corded Stick Vacuum (on-line), dated Sep. 29, 2020. Retrieved from Internet Oct. 7, 2021, URL: <https://web.archive.org/web/20200929164902/https://sharkclean.com/exclusive-offer/ZS352WBKT/shark-rocket-stick-vacuum-with-self-cleaning-brushroll/> (2 pages) (Year: 2020).*

* cited by examiner

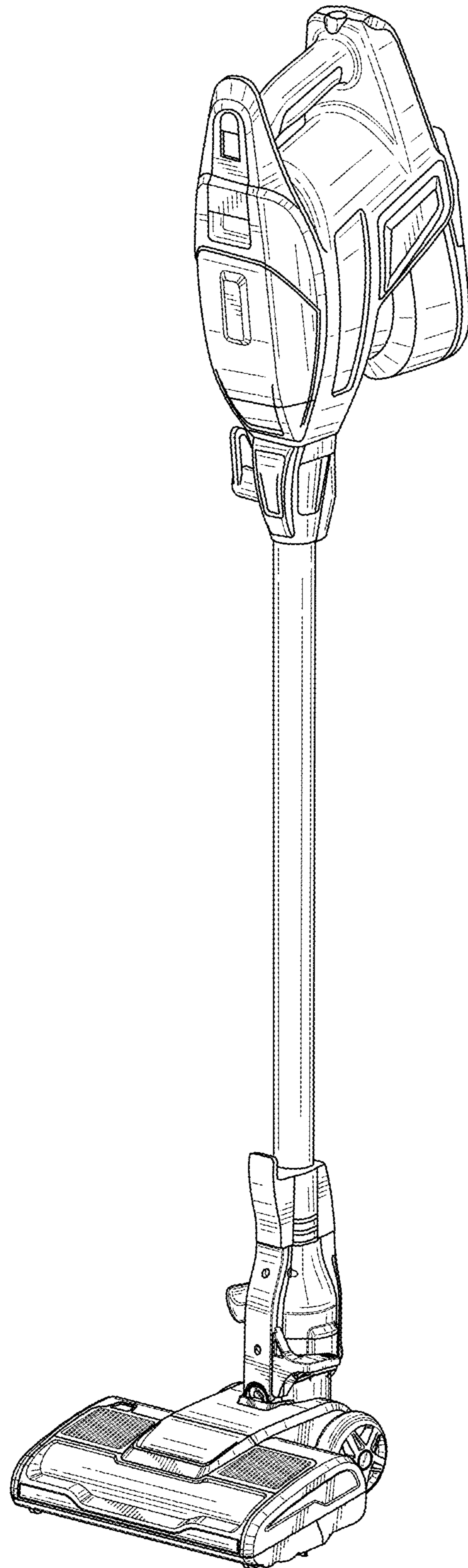


FIG. 1

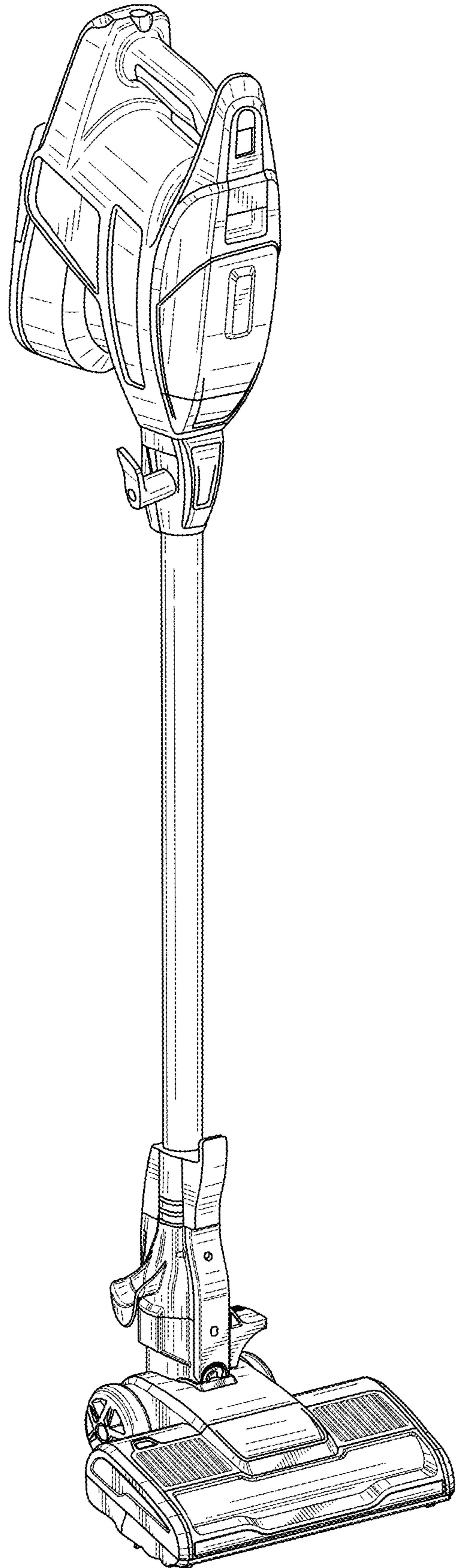


FIG. 2

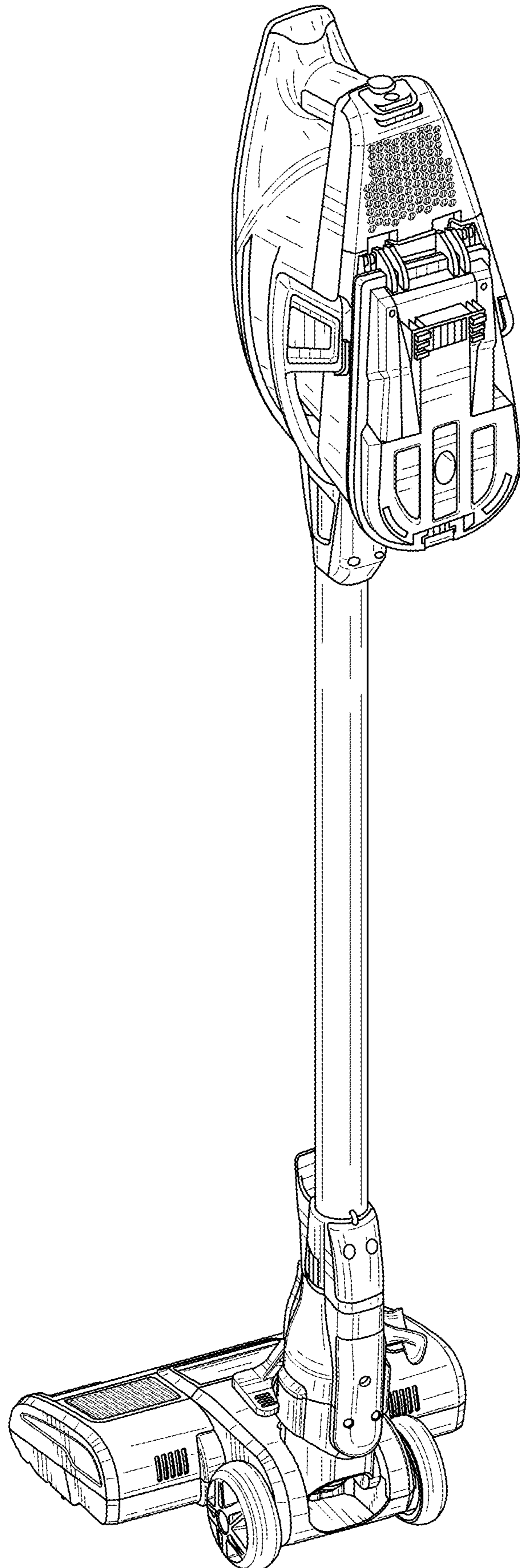


FIG. 3

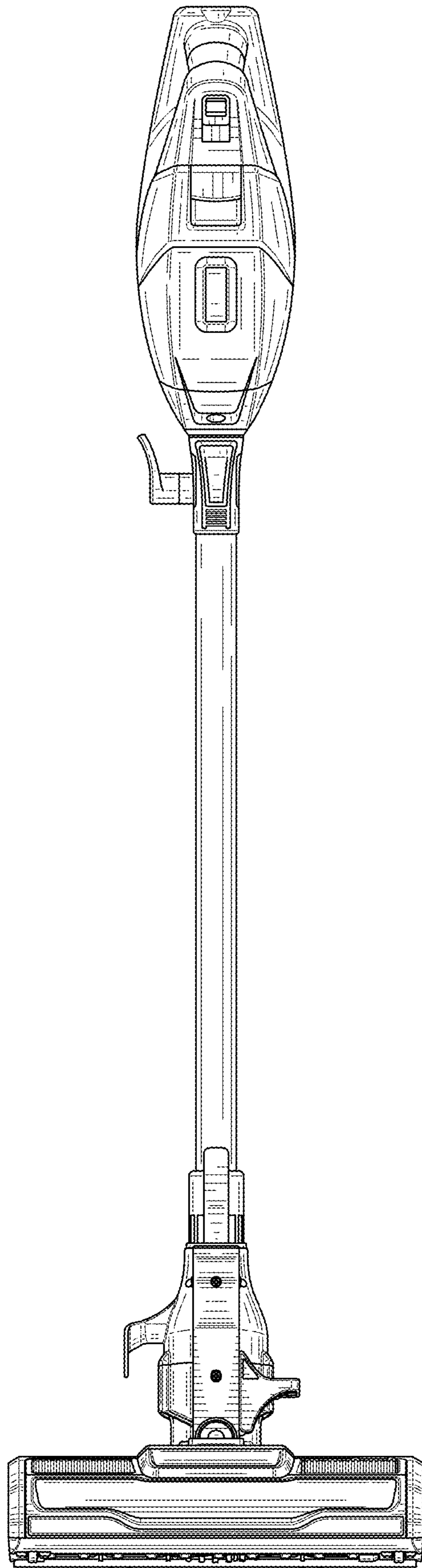


FIG. 4

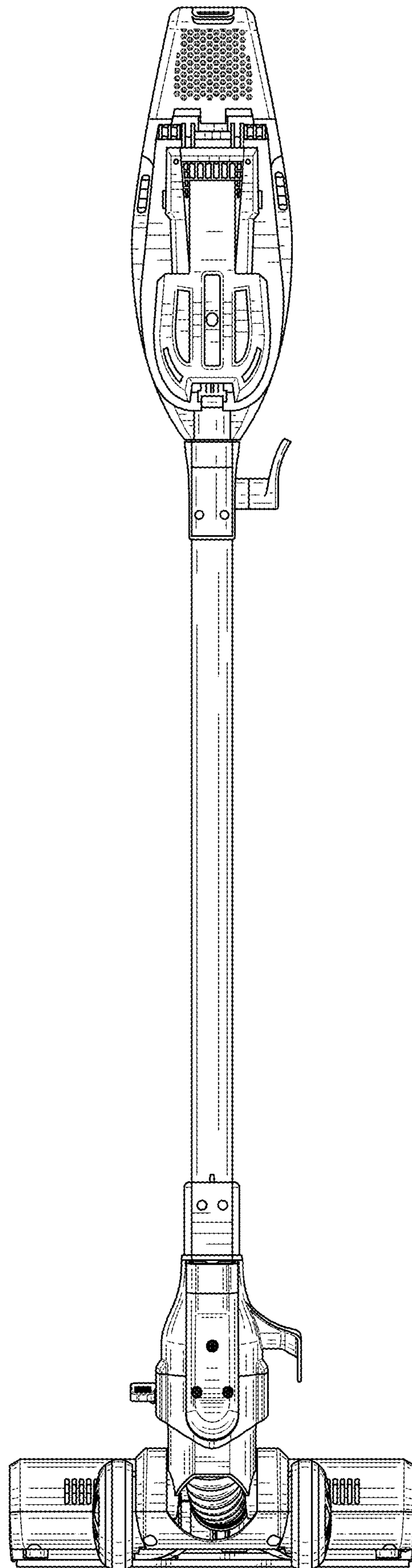


FIG. 5

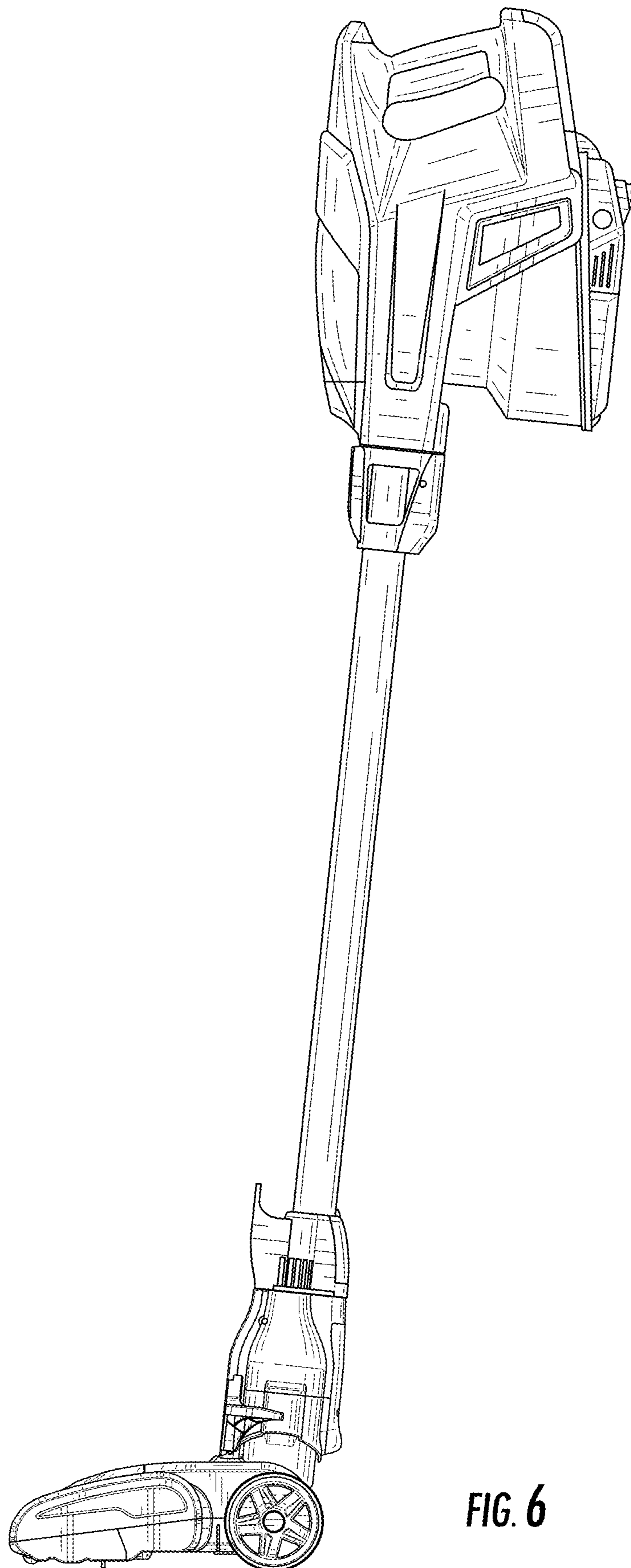


FIG. 6

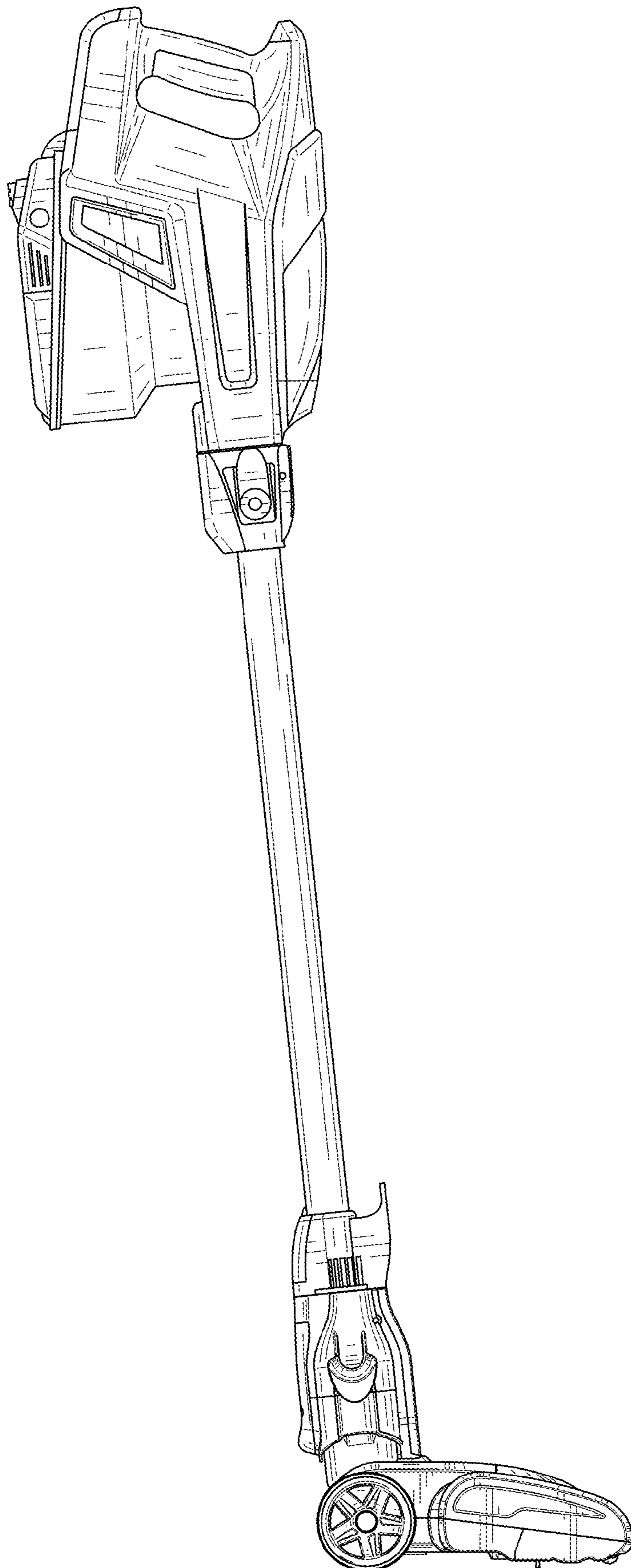


FIG. 7

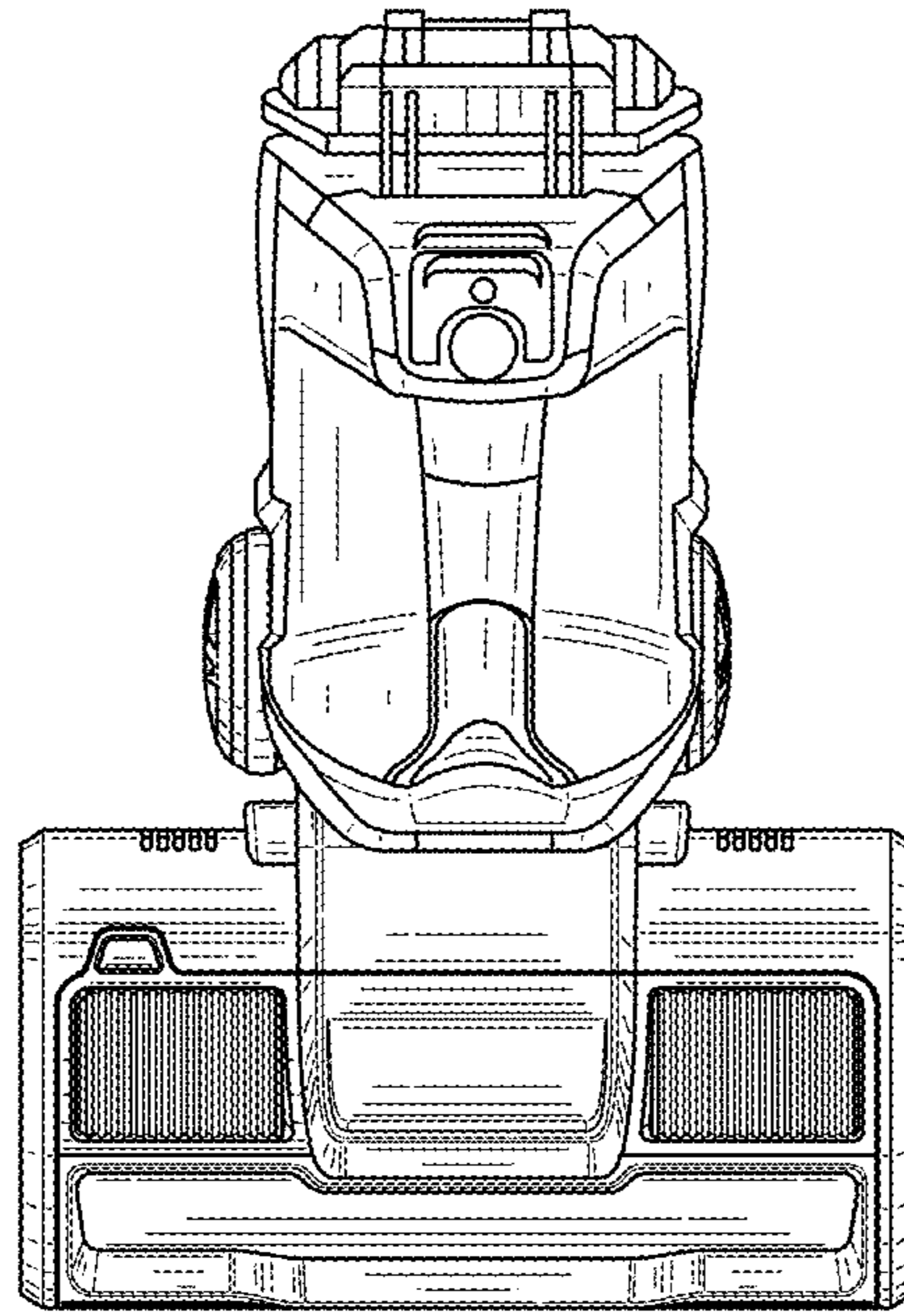


FIG. 8

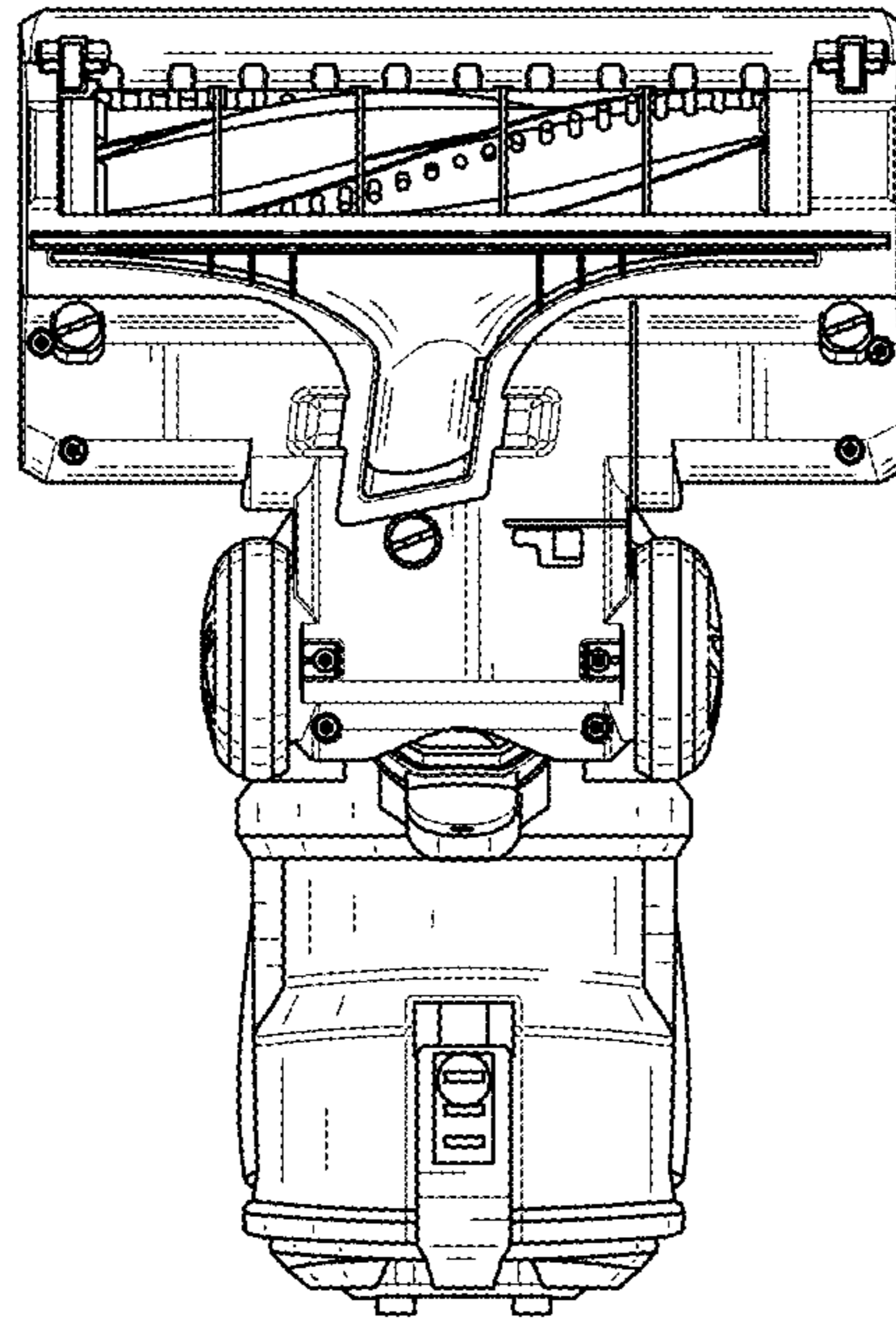


FIG. 9