



US00D962569S

(12) **United States Design Patent** (10) **Patent No.:** **US D962,569 S**
Abbott (45) **Date of Patent:** **** Aug. 30, 2022**

(54) **FRONT LOAD WASHER VENT**

FOREIGN PATENT DOCUMENTS

(71) Applicant: **Haier US Appliance Solutions, Inc.**,
Wilmington, DE (US)

CN 101096816 B 1/2012
WO WO2019001235 A1 1/2019

(72) Inventor: **Aaron Daniel Abbott**, Louisville, KY
(US)

OTHER PUBLICATIONS

(73) Assignee: **Haier US Appliance Solutions, Inc.**,
Wilmington (DE)

GE UltraFresh Vent System <https://www.lowes.com/pd/GE-Ultra-Fresh-Vent-System-4-8-cu-ft-Stackable-Front-Load-Washer-White-ENERGY-STAR/1002550414> (Year: 2020).*

(**) Term: **15 Years**

Primary Examiner — Michelle E. Wilson

Assistant Examiner — Richard E Yenchesky

(21) Appl. No.: **29/743,310**

(74) *Attorney, Agent, or Firm* — Dority & Manning, P.A.

(22) Filed: **Jul. 21, 2020**

(51) **LOC (13) Cl.** **15-05**

(52) **U.S. Cl.**
USPC **D32/29**

(58) **Field of Classification Search**
USPC D32/5, 6, 8, 15, 25, 28, 29, 29.1
CPC D06F 33/00; D06F 39/022; D06F 33/34;
D06F 31/00; D06F 37/28; D06F 39/14;
D06F 23/04; D06F 34/34; D06F 37/06;
D06F 33/48; D06F 34/28; D06F 58/30;
D06F 34/18; E06B 5/00
See application file for complete search history.

(57) **CLAIM**

The ornamental design for a front load washer vent, as shown and described.

DESCRIPTION

FIG. 1 is a front elevation view of the front load washer vent. FIG. 2 is a left side elevation of the front load washer vent, the right side elevation which is not shown, is substantially the same as the left side elevation. FIG. 3 is a top view of the front load washer vent. FIG. 4 is a perspective view of the front load washer vent. FIG. 5 is a detailed view of a portion of the front load washer vent of FIG. 4. FIG. 6 is an alternate embodiment of a front elevation view of the front load washer vent. FIG. 7 is a perspective view of the front load washer vent of FIG. 6. FIG. 8 is a detailed view of a portion of the front load washer vent of FIG. 6. FIG. 9 is yet another alternate embodiment of a front elevation view of the front load washer vent. FIG. 10 is a perspective view of the front load washer vent of FIG. 9; and, FIG. 11 is a detailed view of a portion of the front load washer vent of FIG. 9.

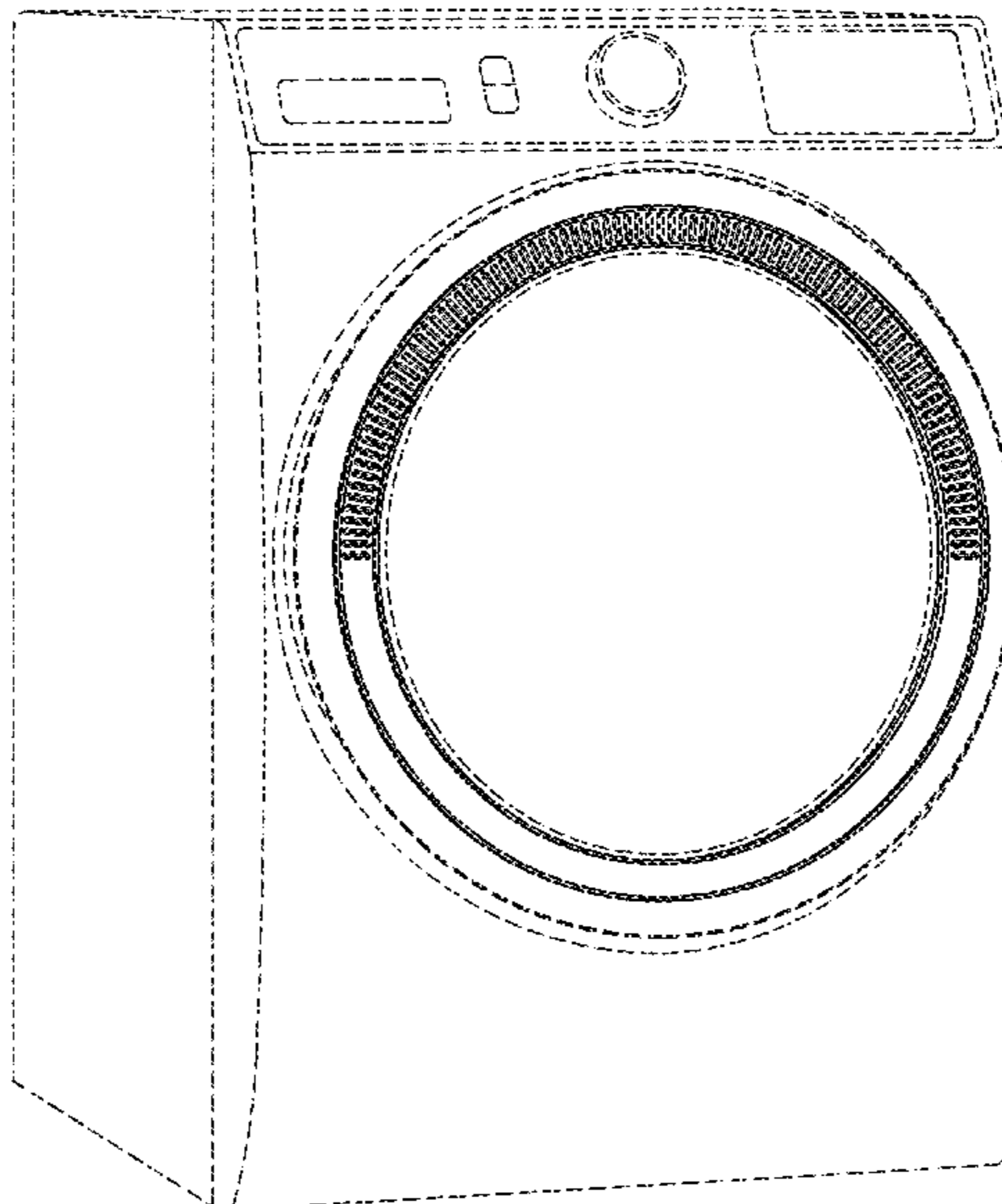
(56) **References Cited**

U.S. PATENT DOCUMENTS

D517,257 S * 3/2006 Kim D32/6
D575,913 S * 8/2008 Jeon D32/6
D577,162 S * 9/2008 Shail D32/6
D588,757 S * 3/2009 Park D32/6
D617,960 S * 6/2010 Bohm D32/6
D620,650 S * 7/2010 Lee D32/6
D625,476 S * 10/2010 Lee D32/6
D626,299 S * 10/2010 Lee D32/6
7,810,360 B2 10/2010 Im
D653,006 S * 1/2012 Takahashi D32/6

(Continued)

1 Claim, 11 Drawing Sheets



(56)

References Cited

U.S. PATENT DOCUMENTS

D703,885 S * 4/2014 Ha D32/6
 D729,996 S * 5/2015 Hwang D32/6
 D730,596 S * 5/2015 Kim D32/6
 D732,763 S * 6/2015 Hwang D32/6
 D739,097 S * 9/2015 Qin D32/6
 D759,909 S * 6/2016 Kim D32/6
 D769,553 S * 10/2016 Lee D32/6
 D770,698 S * 11/2016 Lee D32/6
 D770,707 S * 11/2016 Ha D32/6
 D771,330 S * 11/2016 Ha D32/6
 D773,755 S * 12/2016 Hwang D32/6
 D773,757 S * 12/2016 Hwang D32/6
 D774,714 S * 12/2016 Kang D32/6
 D774,715 S * 12/2016 Kim D32/6
 D774,716 S * 12/2016 Kim D32/6
 D787,759 S * 5/2017 Geyer D32/6
 D796,752 S * 9/2017 Bixby D32/6
 D798,004 S * 9/2017 Bixby D32/6
 D800,976 S * 10/2017 Im D32/6
 D806,329 S * 12/2017 Carlehed D32/6
 D812,830 S * 3/2018 Zhang D32/28
 D816,925 S * 5/2018 Bixby D32/6
 D817,570 S * 5/2018 Kim D32/25
 D825,122 S * 8/2018 Conn D32/28
 D825,123 S * 8/2018 Conn D32/28

D825,867 S * 8/2018 Yoon D32/6
 D825,868 S * 8/2018 Chung D32/6
 D826,489 S * 8/2018 Yoon D32/6
 D826,490 S * 8/2018 Beaudreault D32/6
 D858,012 S * 8/2019 Yoon D32/6
 D866,099 S * 11/2019 Yoon D32/6
 D867,691 S * 11/2019 Lee D32/6
 D867,699 S * 11/2019 Lee D32/28
 2006/0059959 A1 3/2006 Je
 2008/0245111 A1 10/2008 Kim
 2010/0205825 A1* 8/2010 Ashrafzadeh D06F 34/18
 34/486
 2011/0016738 A1* 1/2011 Ashrafzadeh D06F 58/36
 34/108
 2013/0152310 A1* 6/2013 Erickson D06F 33/34
 8/137
 2015/0315739 A1* 11/2015 Ben D06F 34/34
 312/228
 2018/0002854 A1* 1/2018 Anand B32B 37/0053
 2018/0112342 A1* 4/2018 Hodgell D06F 37/06
 2018/0135219 A1* 5/2018 Frantz E06B 5/00
 2019/0106829 A1* 4/2019 Bueno D06F 33/48
 2019/0145041 A1* 5/2019 Bhandare D06F 39/14
 68/196
 2021/0062390 A1* 3/2021 Benne D06F 34/28
 2021/0095417 A1* 4/2021 Vaive D06F 58/30

* cited by examiner

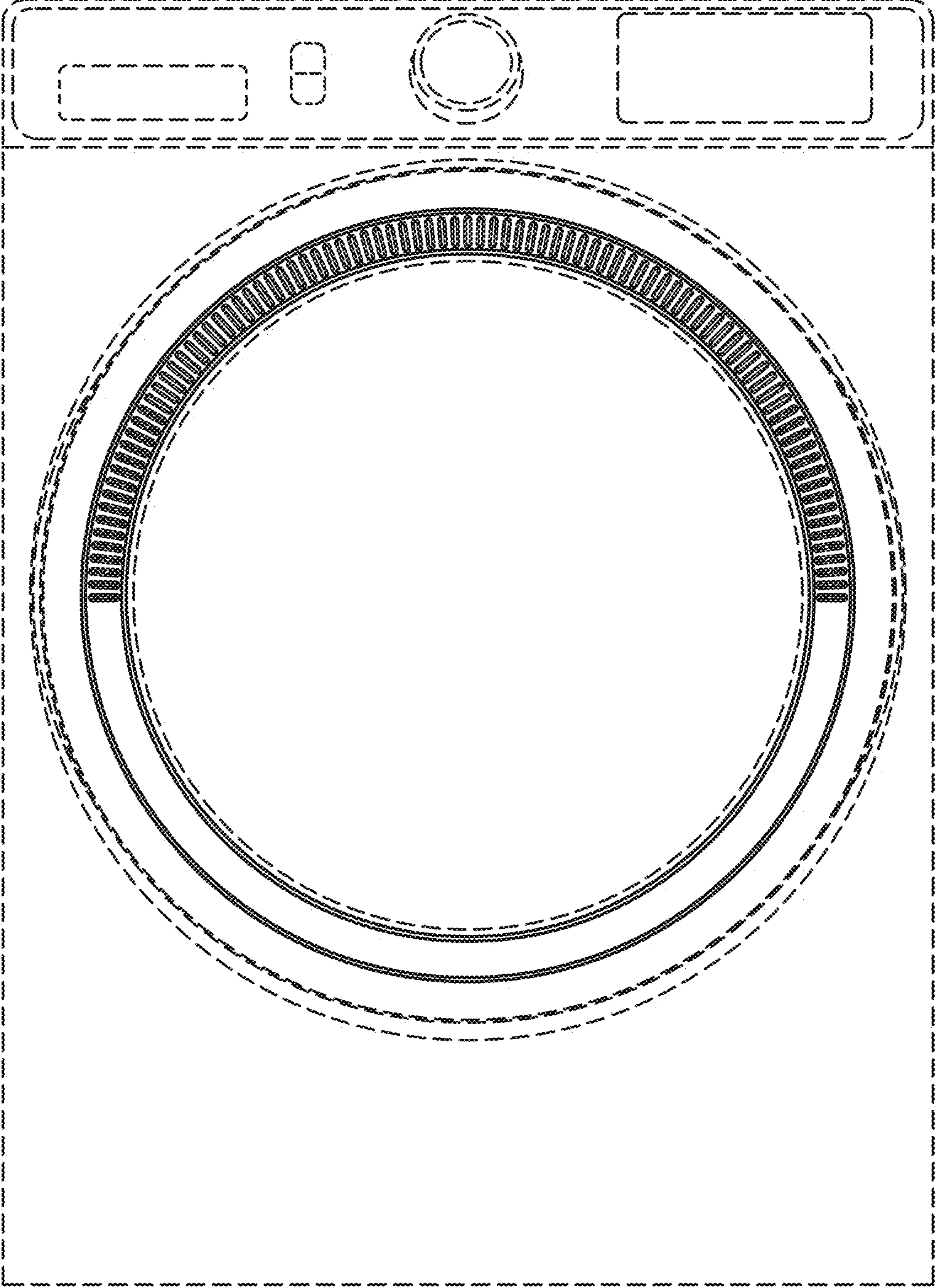


FIG. 1

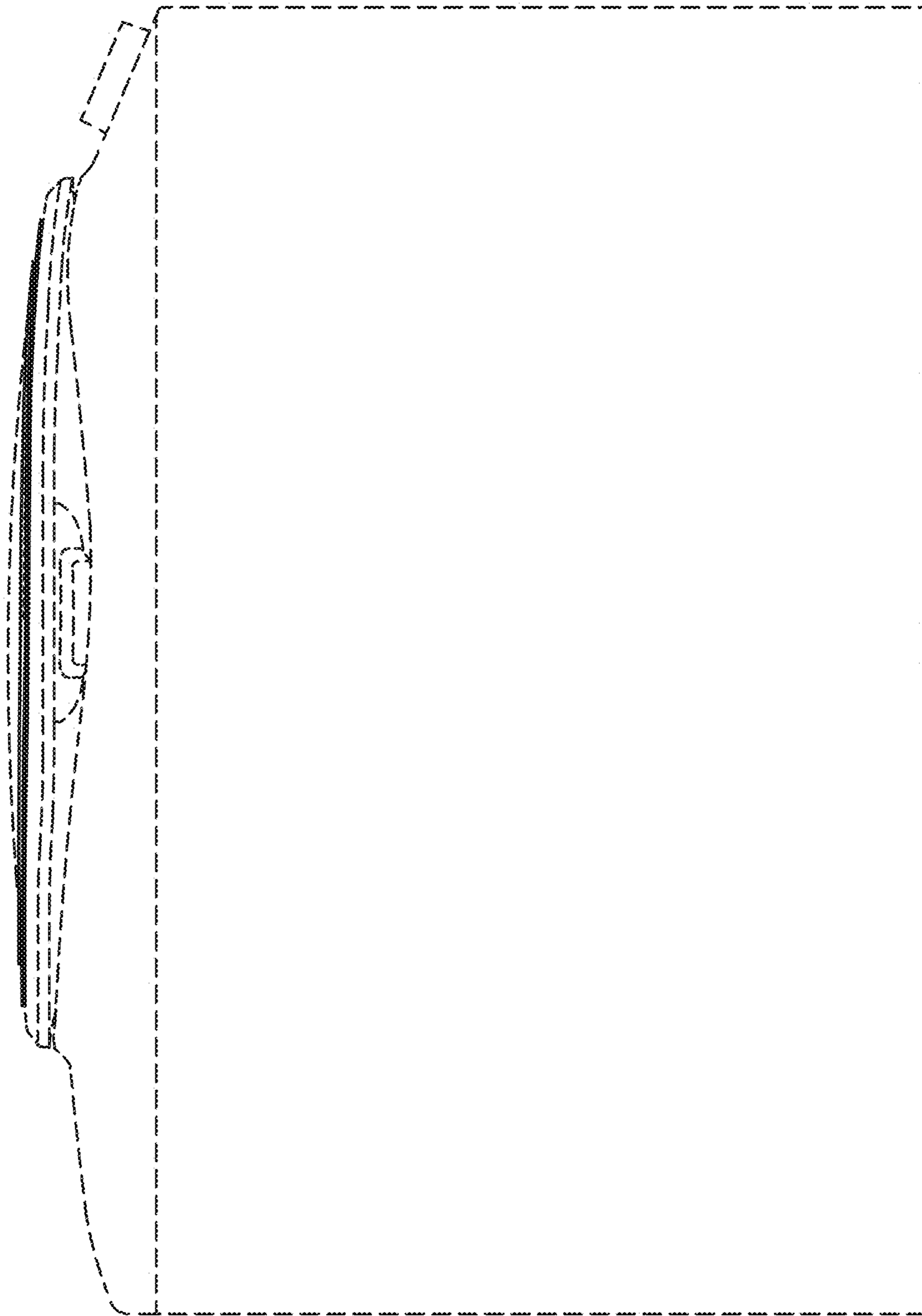


FIG. 2

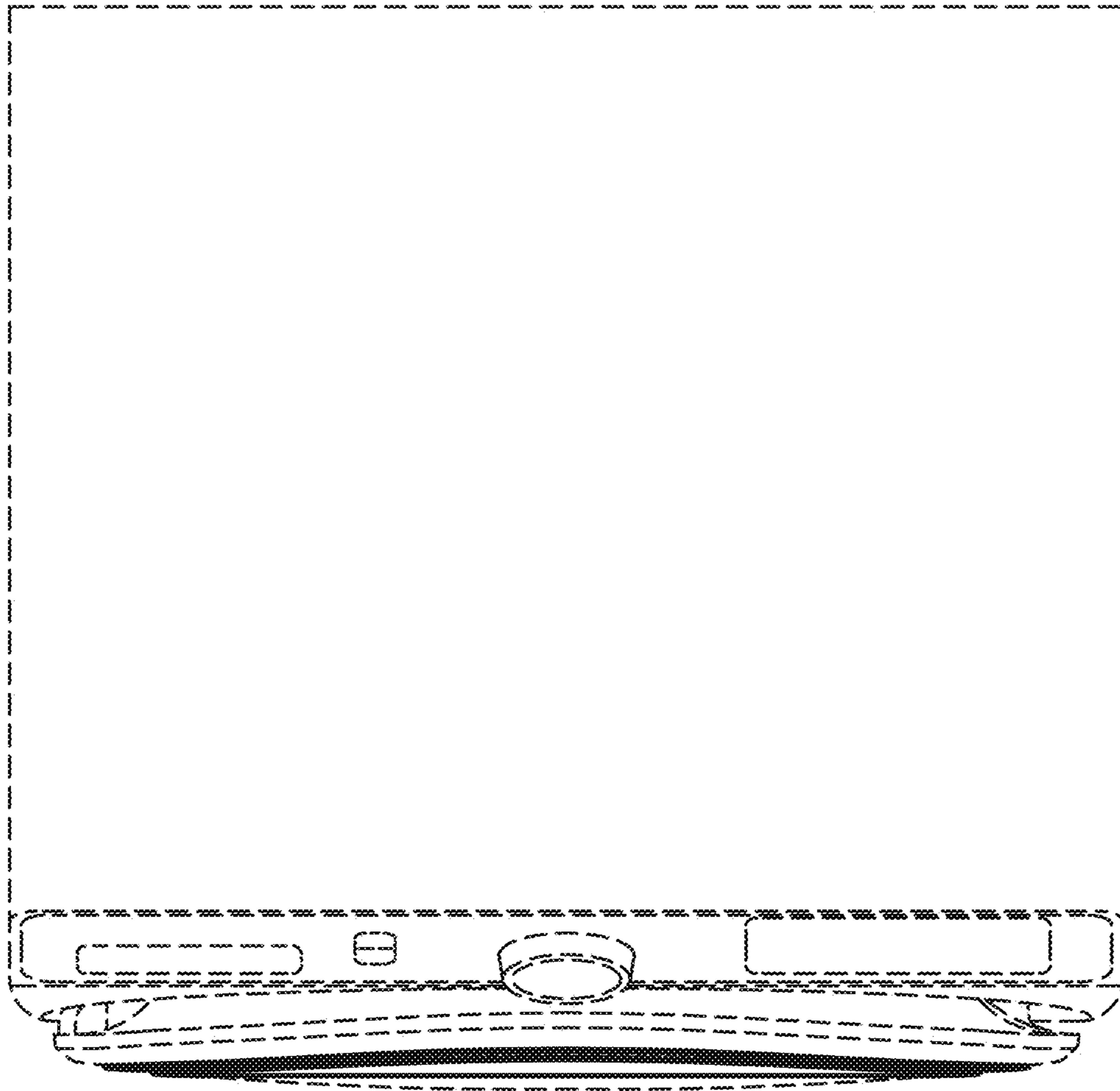


FIG. 3

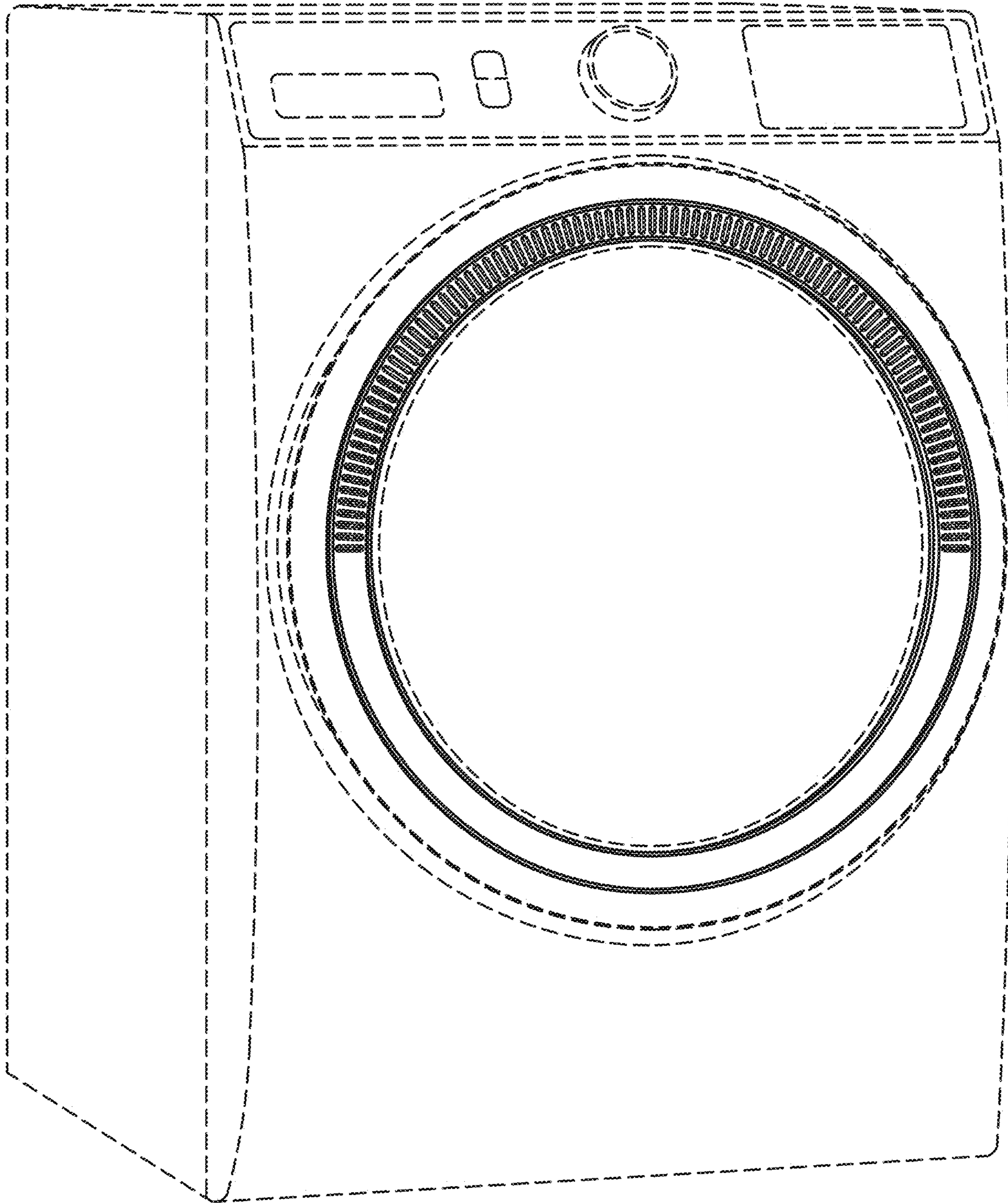


FIG. 4

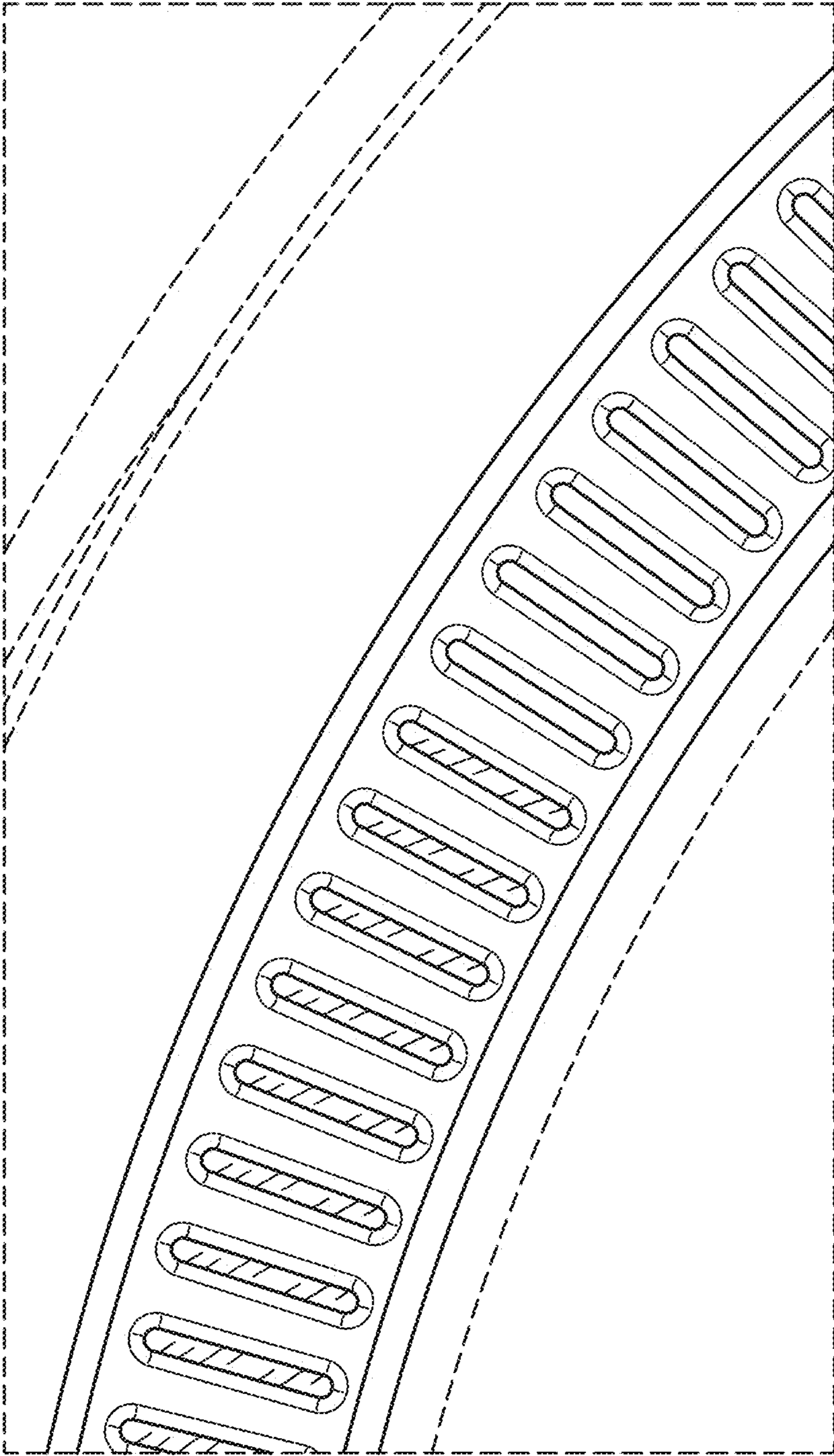


FIG. 5

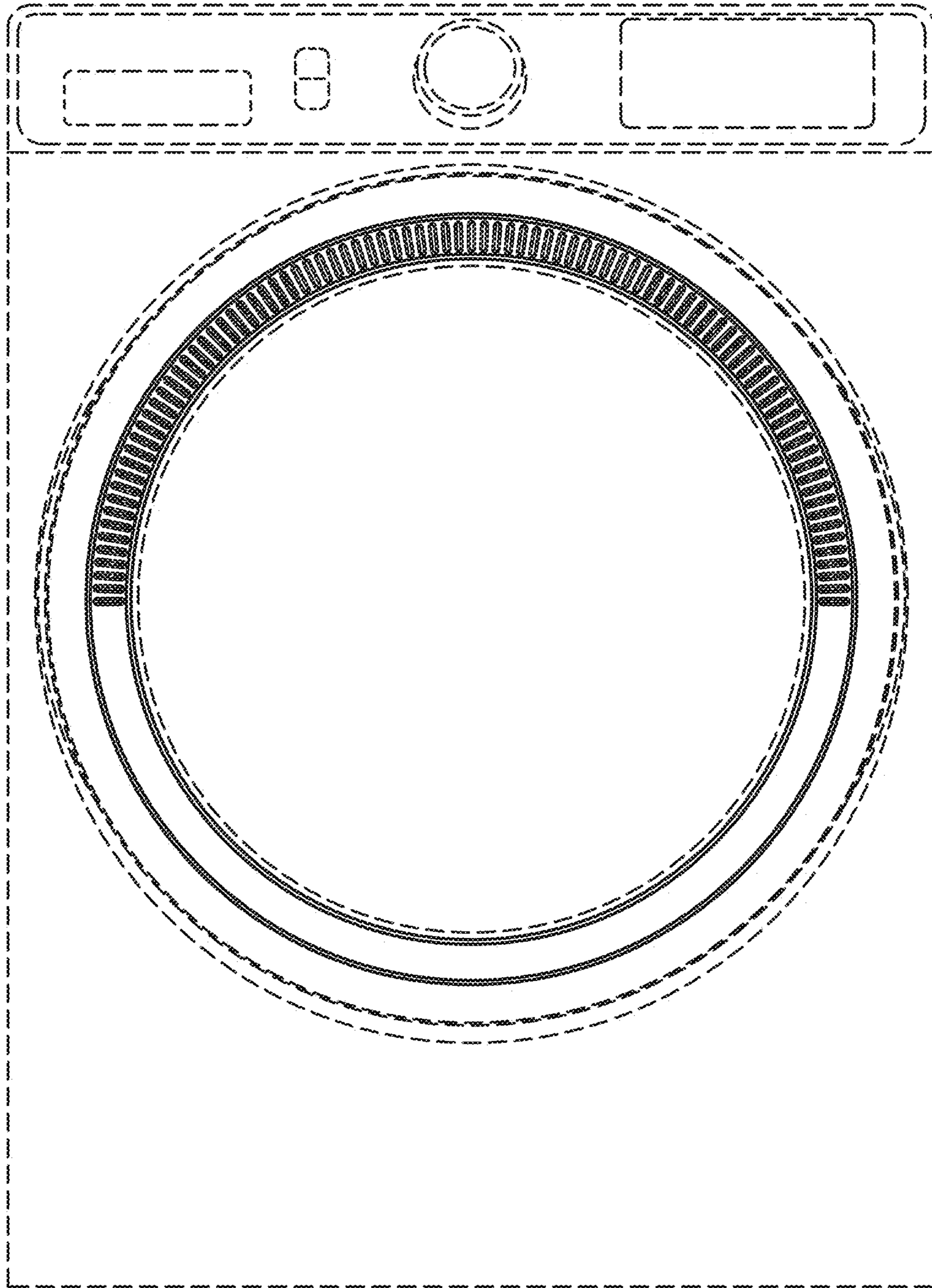


FIG. 6

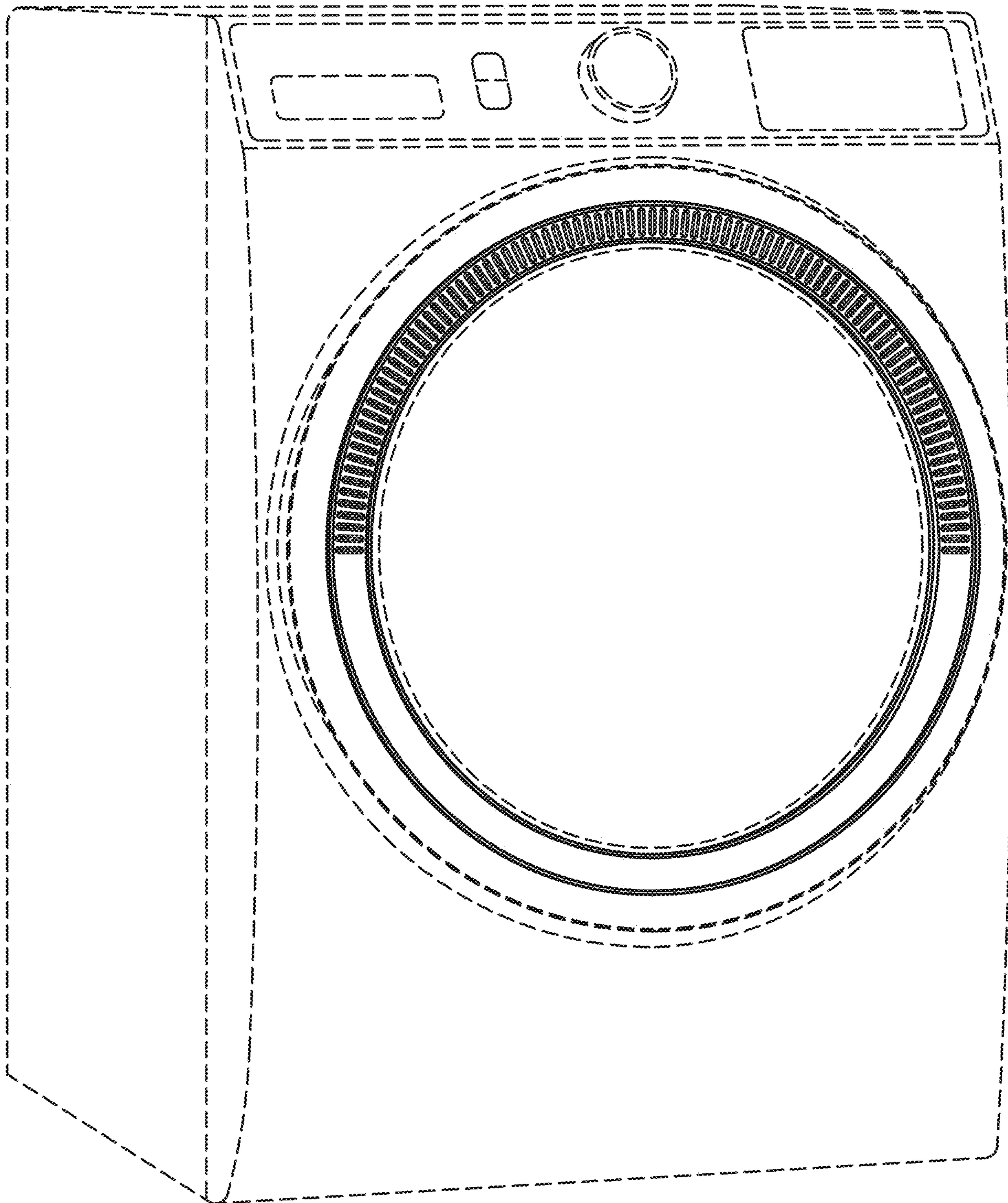


FIG. 7

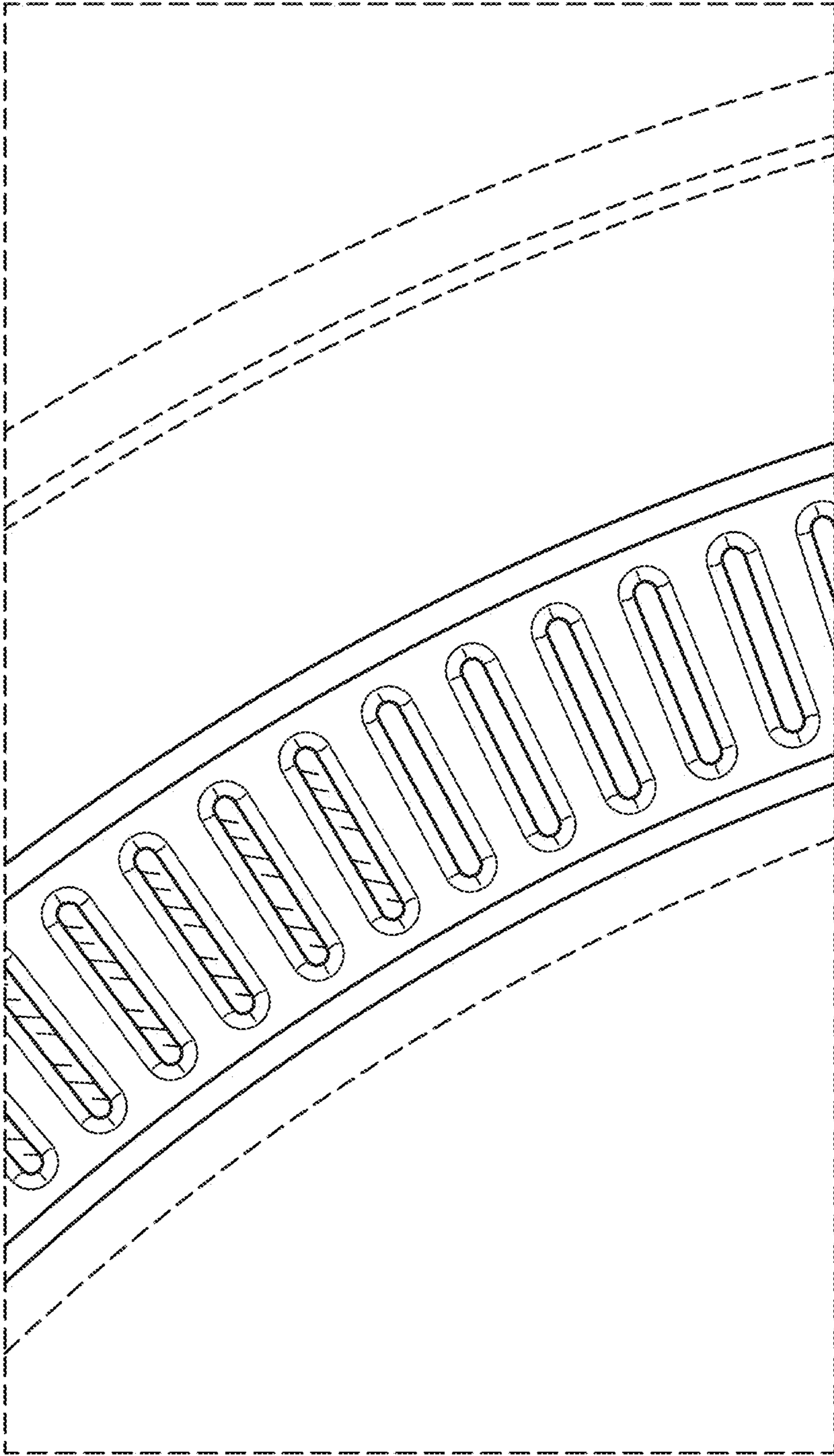


FIG. 8

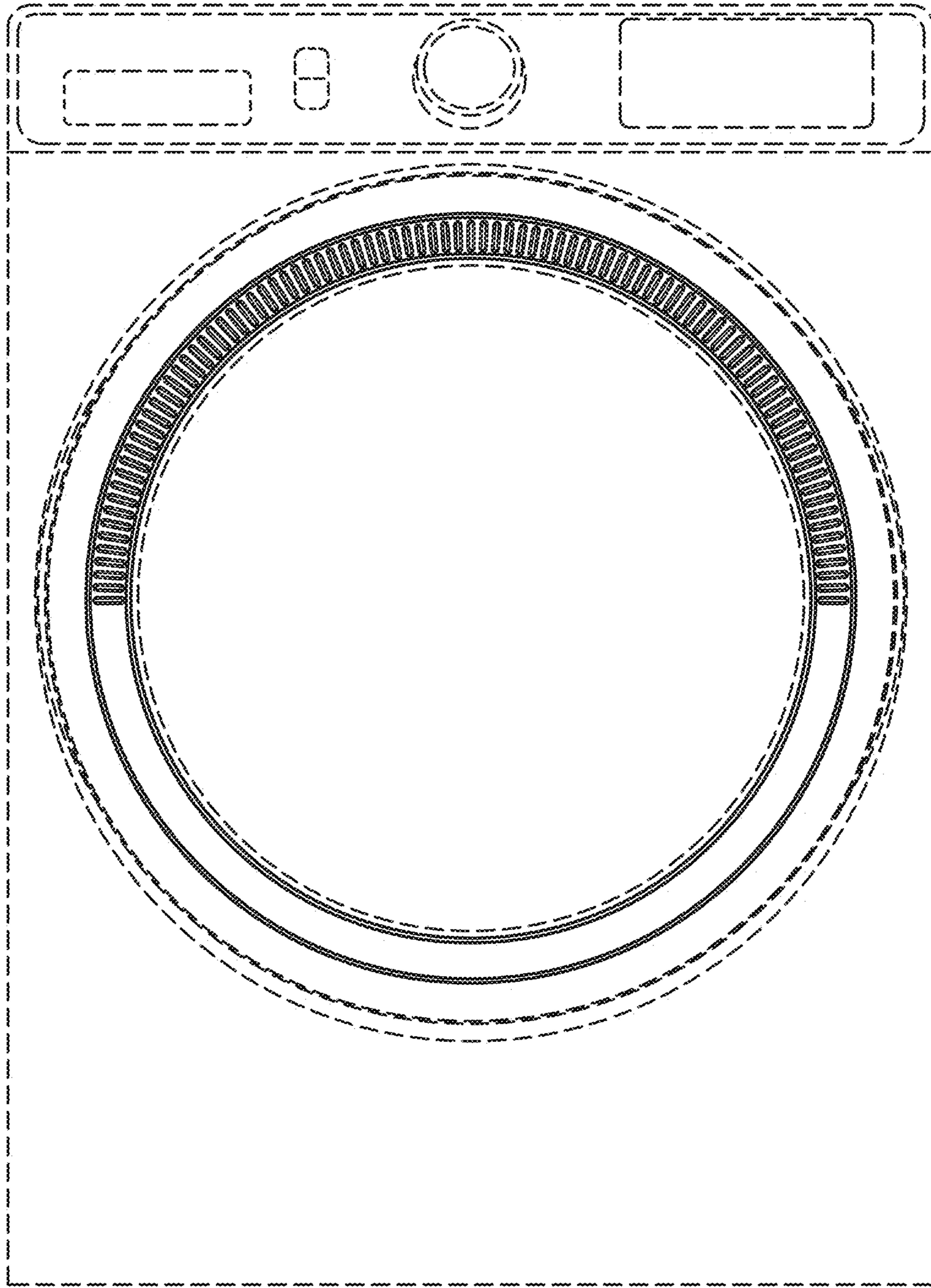


FIG. 9

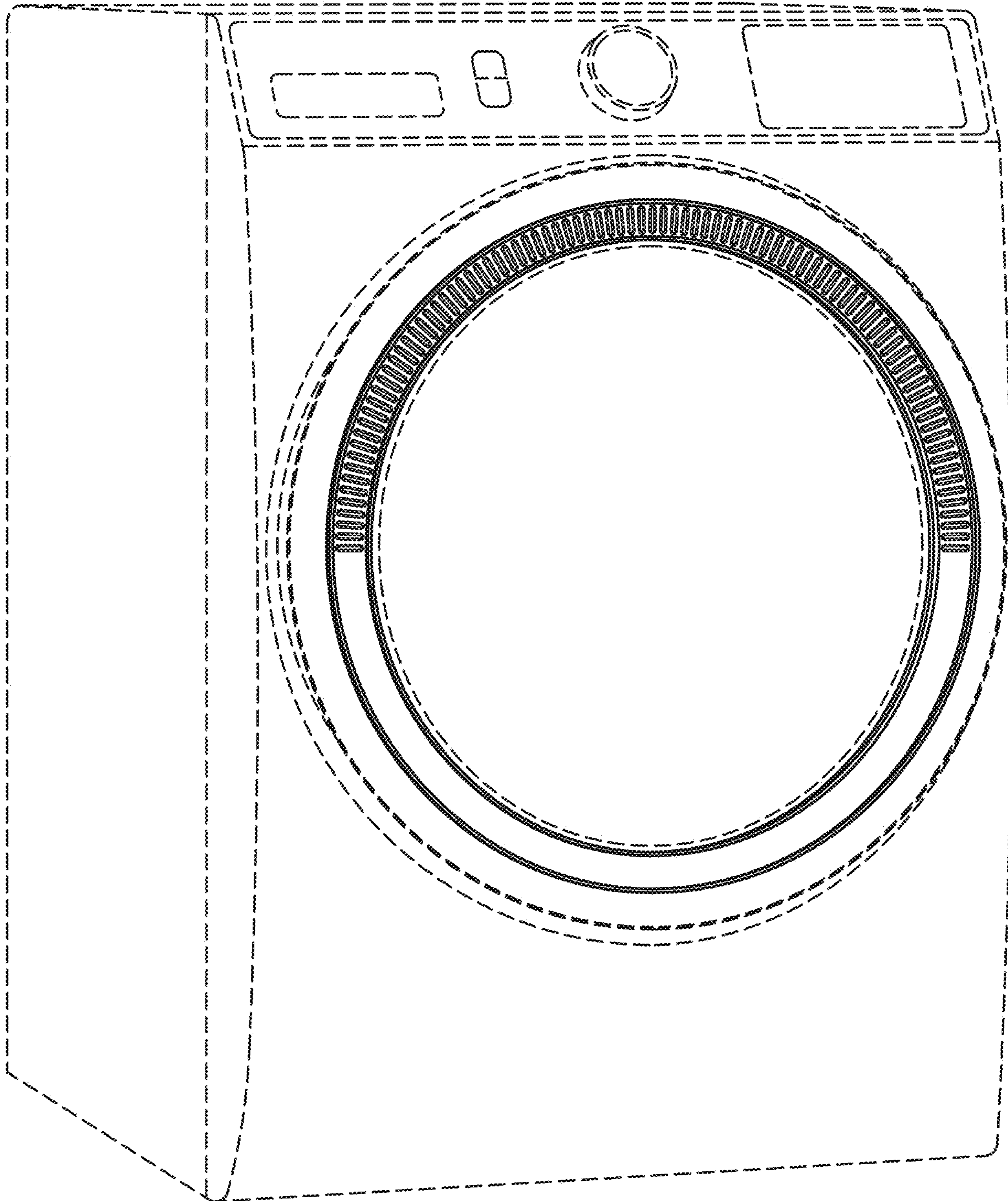


FIG. 10

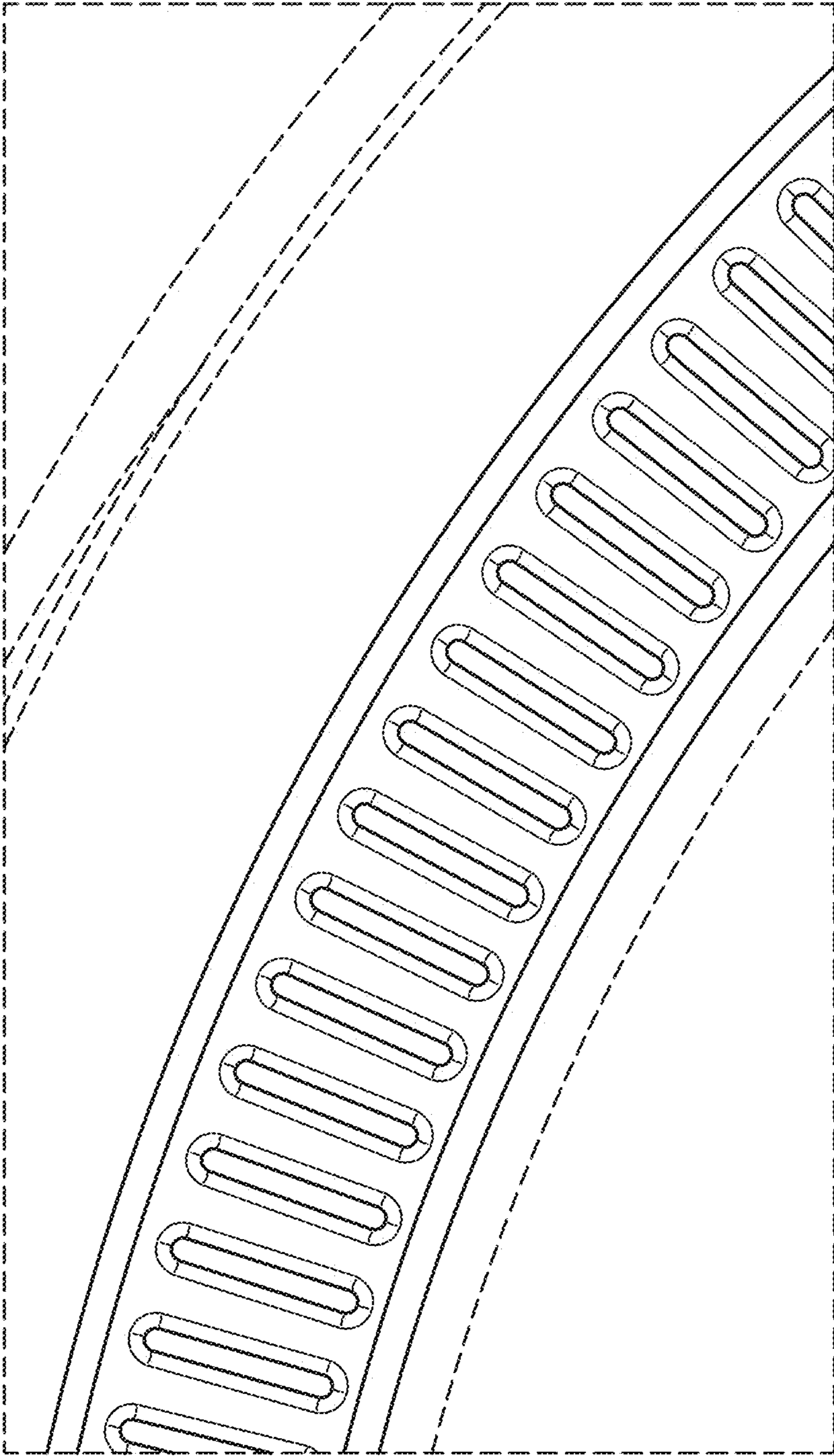


FIG. 11