



US00D962565S

(12) **United States Design Patent** (10) **Patent No.:** **US D962,565 S**
Irfan (45) **Date of Patent:** **** Aug. 30, 2022**

(54) **FLOOR CLEANER**

FOREIGN PATENT DOCUMENTS

(71) Applicant: **TTI (MACAO COMMERCIAL OFFSHORE) LIMITED**, Macau (MO)

GB 2084546 * 9/1999
GB 6083809 * 2/2020

(72) Inventor: **Mohammed Irfan**, Huntersville, NC (US)

OTHER PUBLICATIONS

(73) Assignee: **Techtronic Floor Care Technology Limited**, Tortola (VG)

Hoover Powerdash Pet Carpet Cleaner, available in Amazon.ca, date first available Feb. 9, 2018 [online], [site visited Aug. 26, 2021], Available from the internet URL: https://www.amazon.ca/Hoover-PowerDash-Carpet-Cleaner-FH50700/dp/B078YZ586K?ref=ast_sto_dp&th=1&psc=1 (Year: 2018).*

(**) Term: **15 Years**

(Continued)

(21) Appl. No.: **29/720,684**

(22) Filed: **Jan. 15, 2020**

Primary Examiner — Amy C Wierenga
Assistant Examiner — Jennylou M Binas
(74) *Attorney, Agent, or Firm* — Michael Best & Friedrich LLP

Related U.S. Application Data

(63) Continuation of application No. 29/626,383, filed on Nov. 16, 2017, now Pat. No. Des. 876,036.

(57) **CLAIM**

I claim the ornamental design for a floor cleaner, as shown and described.

(30) **Foreign Application Priority Data**

May 17, 2017 (CN) 201730183433.X

DESCRIPTION

(51) **LOC (13) Cl.** **15-05**

(52) **U.S. Cl.**
USPC **D32/15; D32/22**

(58) **Field of Classification Search**
USPC D32/15, 21, 22, 24, 31, 33, 45, 32, 39;
D21/526

CPC A47L 5/24; A47L 7/0014; A47L 11/24;
A47L 11/4005; A47L 11/4008; A47L
11/4016; A47L 11/4083

See application file for complete search history.

FIG. 1 is a perspective view of a floor cleaner showing the new design.
FIG. 2 is a front side view of the floor cleaner shown in FIG. 1.
FIG. 3 is a back side view of the floor cleaner shown in FIG. 1.
FIG. 4 is a first side view of the floor cleaner shown in FIG. 1.
FIG. 5 is a second side view of the floor cleaner shown in FIG. 1.
FIG. 6 is a top view of the floor cleaner shown in FIG. 1; and,
FIG. 7 is a bottom view of the floor cleaner shown in FIG. 1.

(56) **References Cited**

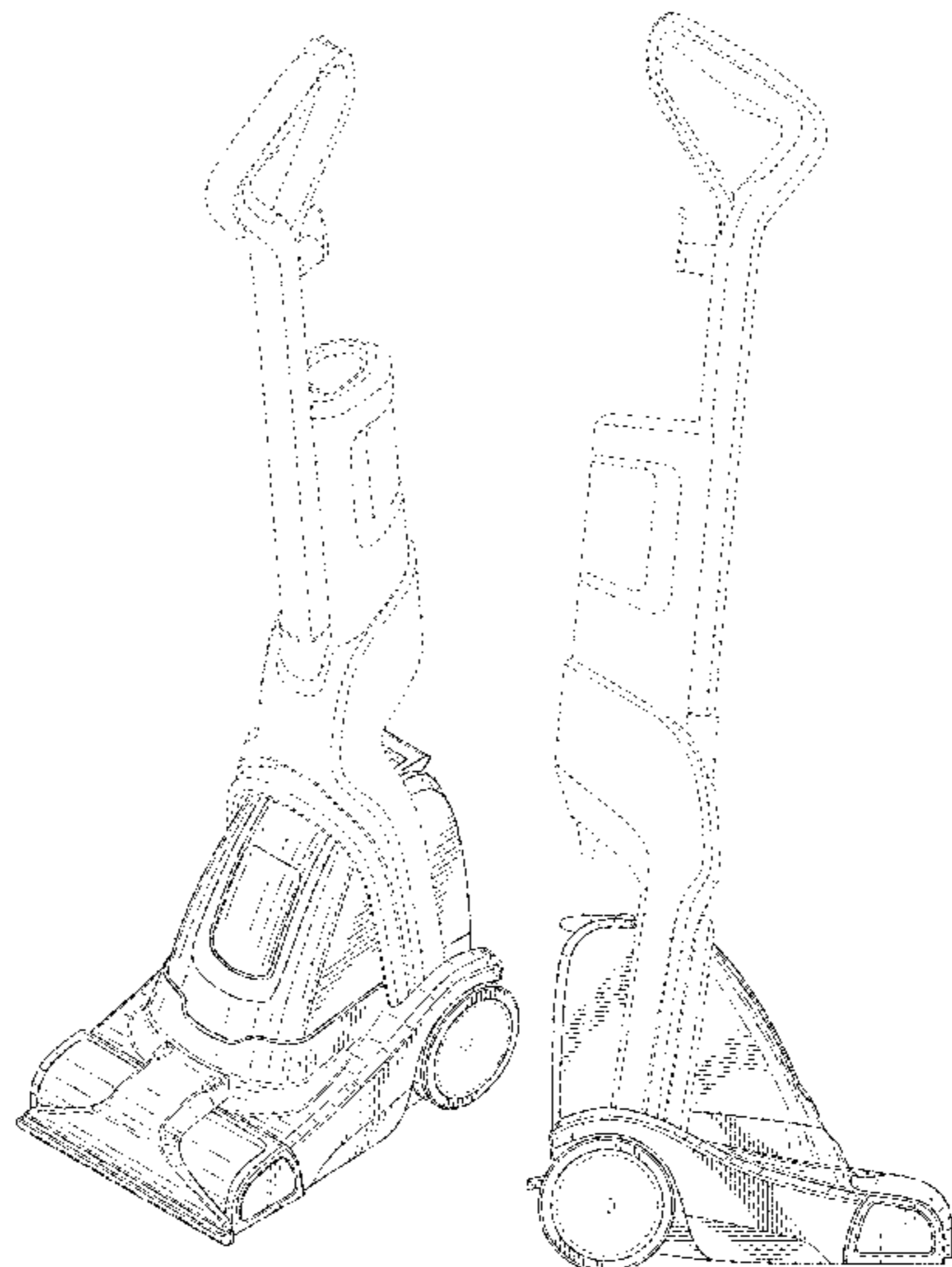
U.S. PATENT DOCUMENTS

D232,616 S * 9/1974 Wareham D32/32
D358,241 S * 5/1995 Bradd D32/22
D387,522 S * 12/1997 Medema D32/33

The broken lines shown in the drawings show portions of the floor cleaner that form no part of the claimed design.

(Continued)

1 Claim, 6 Drawing Sheets



(56)

References Cited

U.S. PATENT DOCUMENTS

D406,928 S * 3/1999 Rowley D32/22
 5,901,406 A * 5/1999 Mueller A47L 11/4088
 15/320
 D421,164 S * 2/2000 Luebbering D32/22
 D431,098 S * 9/2000 Saunders D32/22
 D439,380 S * 3/2001 Medema D32/22
 D533,698 S * 12/2006 Medema D32/32
 D535,792 S * 1/2007 Choi D32/22
 D543,669 S * 5/2007 Ikeno D32/32
 D598,170 S * 8/2009 Benacquisto D32/32
 D598,618 S * 8/2009 Benacquisto D32/32
 D646,856 S 10/2011 Breit
 D647,263 S * 10/2011 Luebbering D32/22
 D660,532 S * 5/2012 Kim D32/22
 D738,583 S * 9/2015 Gidwell D32/32
 D768,944 S 10/2016 Zhang
 D775,440 S * 12/2016 Kwon D32/22
 D804,751 S 12/2017 Johnson
 10,092,155 B2 10/2018 Xia
 D836,863 S 12/2018 Theising
 D837,469 S 1/2019 Johnson
 D844,914 S 4/2019 Houghton
 D845,566 S * 4/2019 Hooley D32/22
 D845,567 S * 4/2019 Hooley D32/22
 D850,741 S * 6/2019 Hooley D32/32
 D869,111 S * 12/2019 Chavana, Jr. D32/32
 D875,334 S * 2/2020 Chavana, Jr. D32/22
 D876,036 S * 2/2020 Irfan D32/22

D876,037 S * 2/2020 McRorie D32/22
 D934,519 S * 10/2021 Knapp D32/22
 11,172,802 B2 * 11/2021 Bloomer A47L 7/0009
 11,197,592 B2 * 12/2021 Zhou A47L 9/26
 2006/0288518 A1 * 12/2006 Lenkiwicz A47L 11/4016
 15/322
 2018/0249871 A1 * 9/2018 Rukavina A47L 9/2821
 2018/0249875 A1 * 9/2018 Hooley A47L 9/2894
 2019/0142232 A1 * 5/2019 McRorie A47L 11/34
 15/347
 2020/0196823 A1 * 6/2020 Schneider A47L 11/28
 2022/0061620 A1 * 3/2022 Nguyen A47L 11/4005

OTHER PUBLICATIONS

Bissell—Carpet Cleaner, available in Amazon.ca, date first available Oct. 28, 2020 [online], [site visited Aug. 26, 2021], Available from the internet URL: https://www.amazon.ca/Bissell-2806D-PowerClean-TurboBrush-Lightweight/dp/B0887TH2Y3?ref_=ast_sto_dp (Year: 2020).*

Vax Compact Power CWCPV011 Carpet Cleaner, available in www.argos.co.uk, customer review oldest date May 1, 2019 [online], [site visited Sep. 9, 2021], Available from the internet URL: <https://www.argos.co.uk/product/9344066> (Year: 2019).*

Vax Compact Carpet Washer, available in www.thegoodguys.com.au, customer confirmed purchased date Oct. 13, 2019 [online], [site visited Sep. 9, 2021], Available from the internet URL: <https://www.thegoodguys.com.au/vax-compact-carpet-washer-vx97> (Year: 2019).*

* cited by examiner

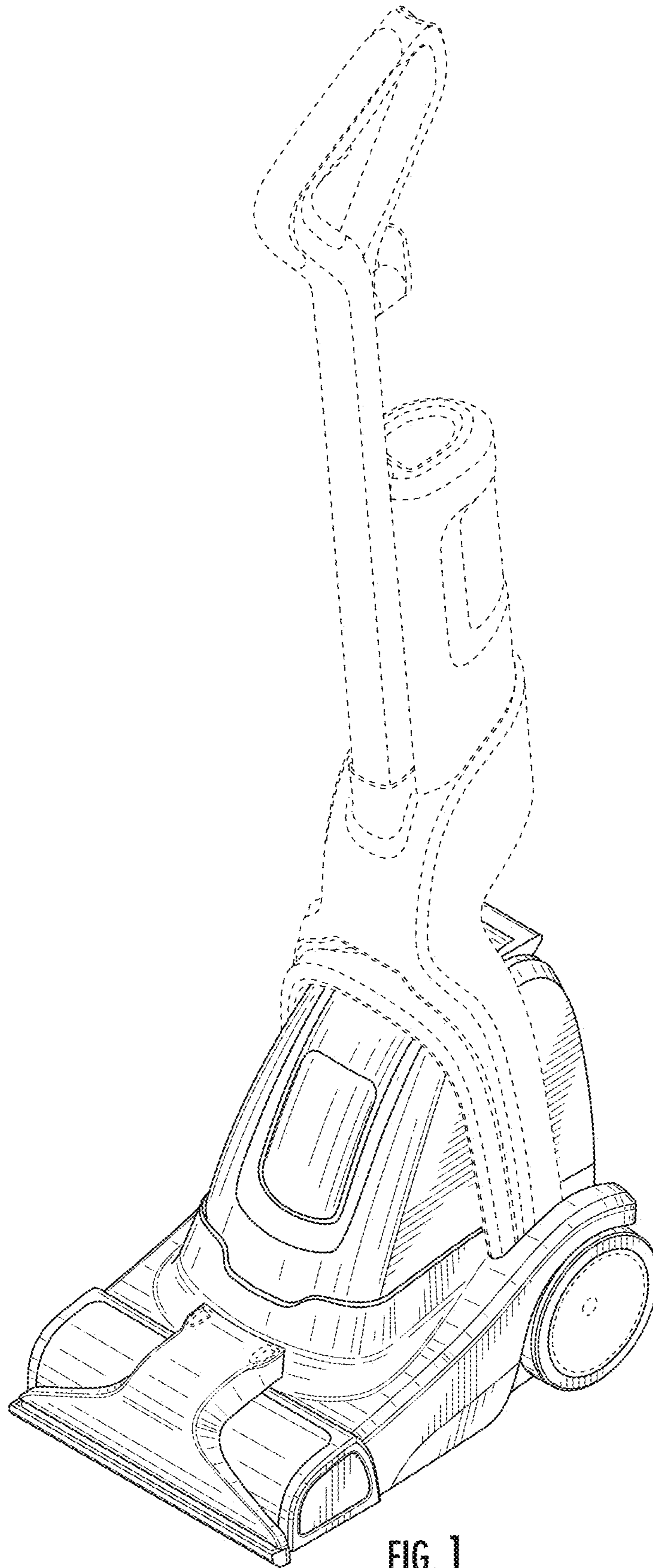


FIG. 1

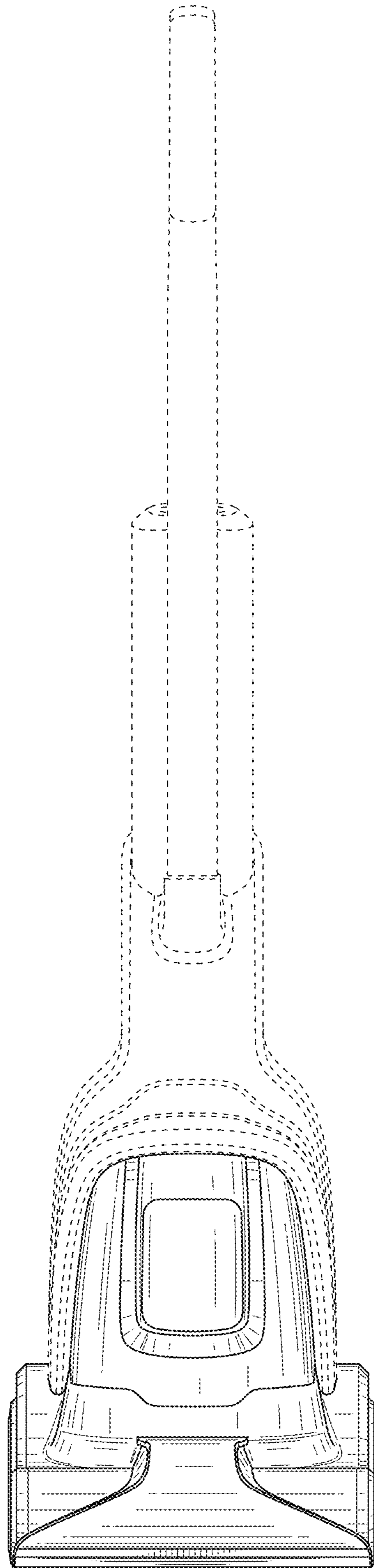


FIG. 2

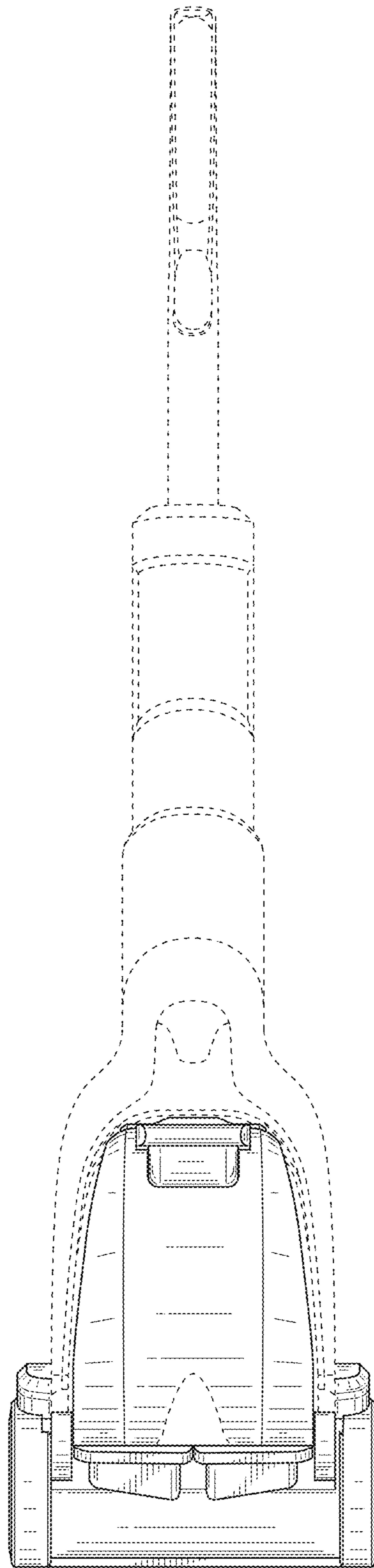


FIG. 3

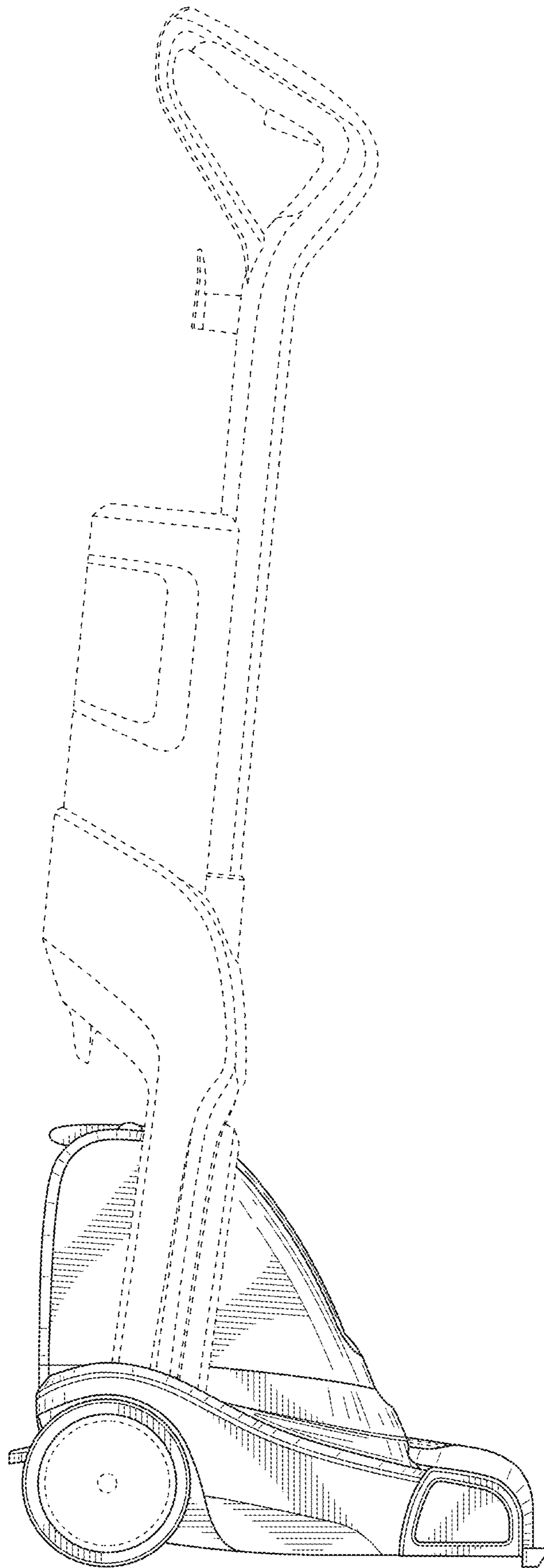


FIG. 4

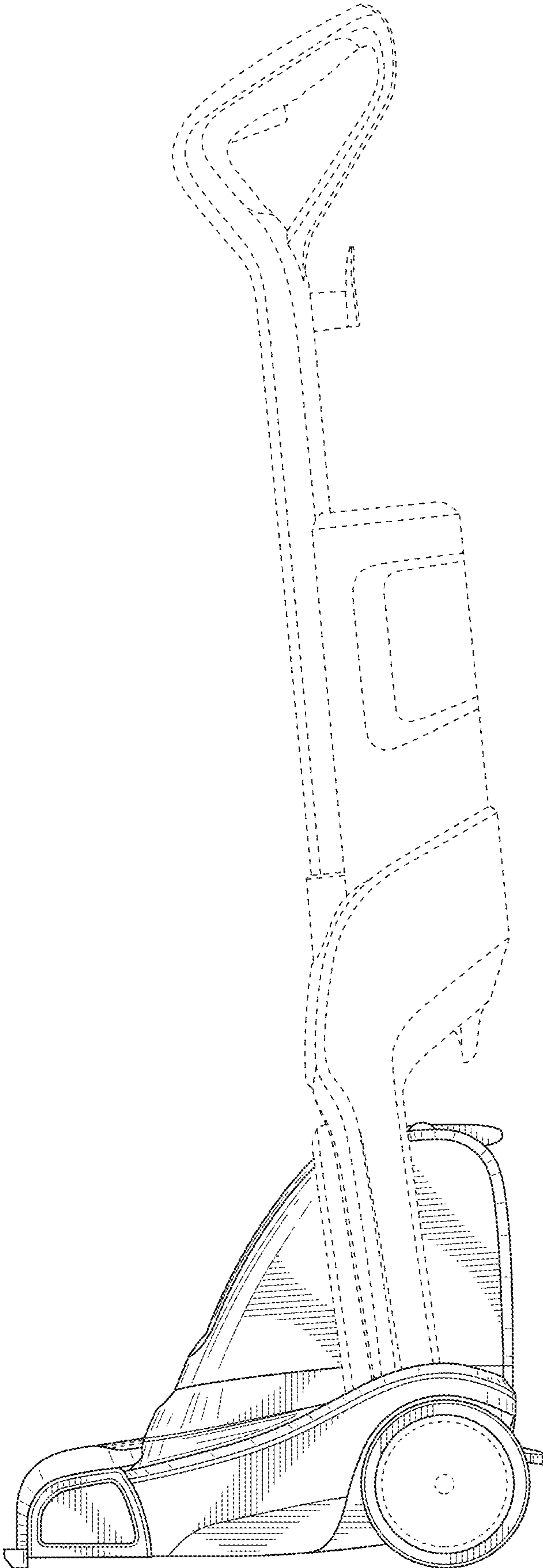


FIG. 5

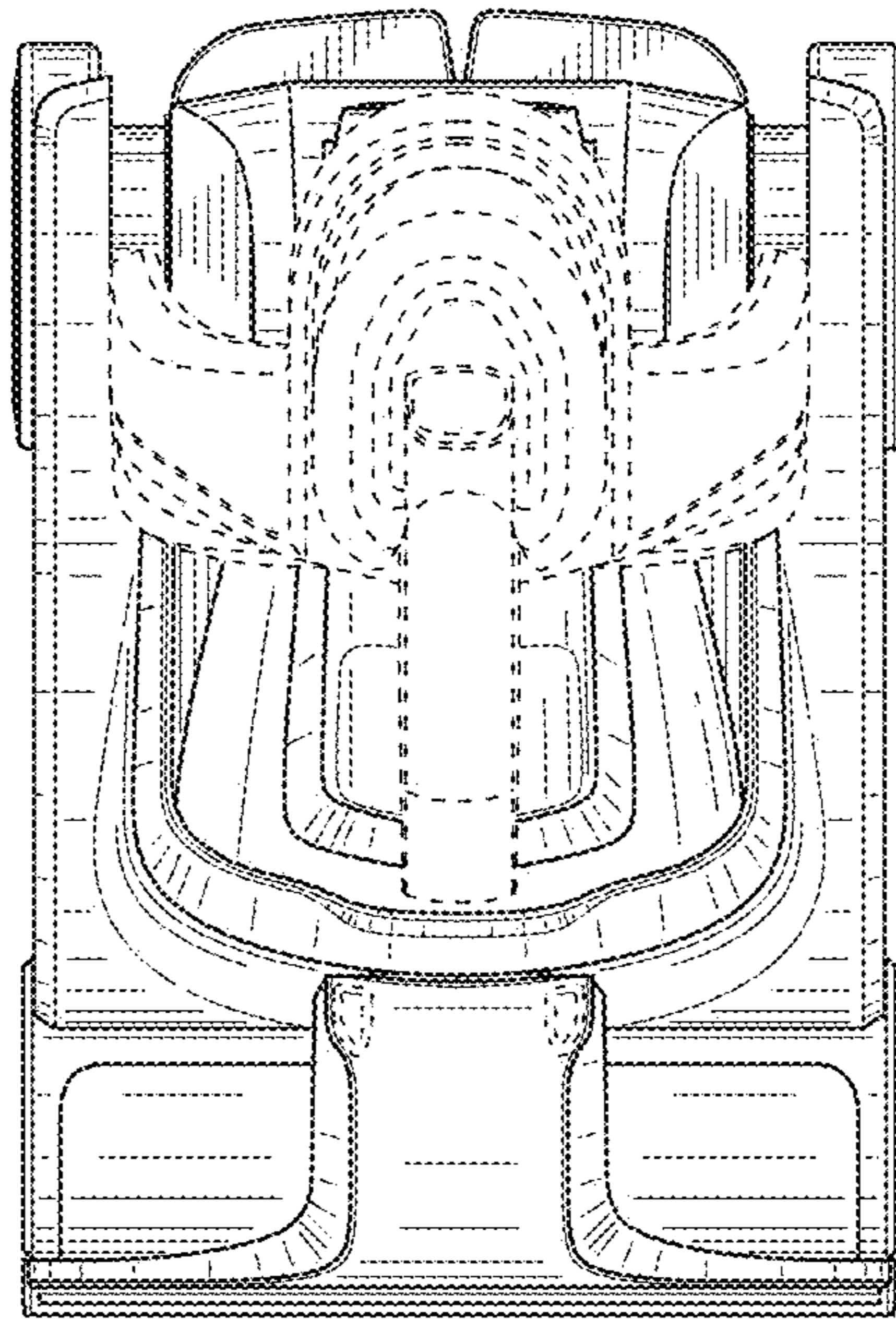


FIG. 6

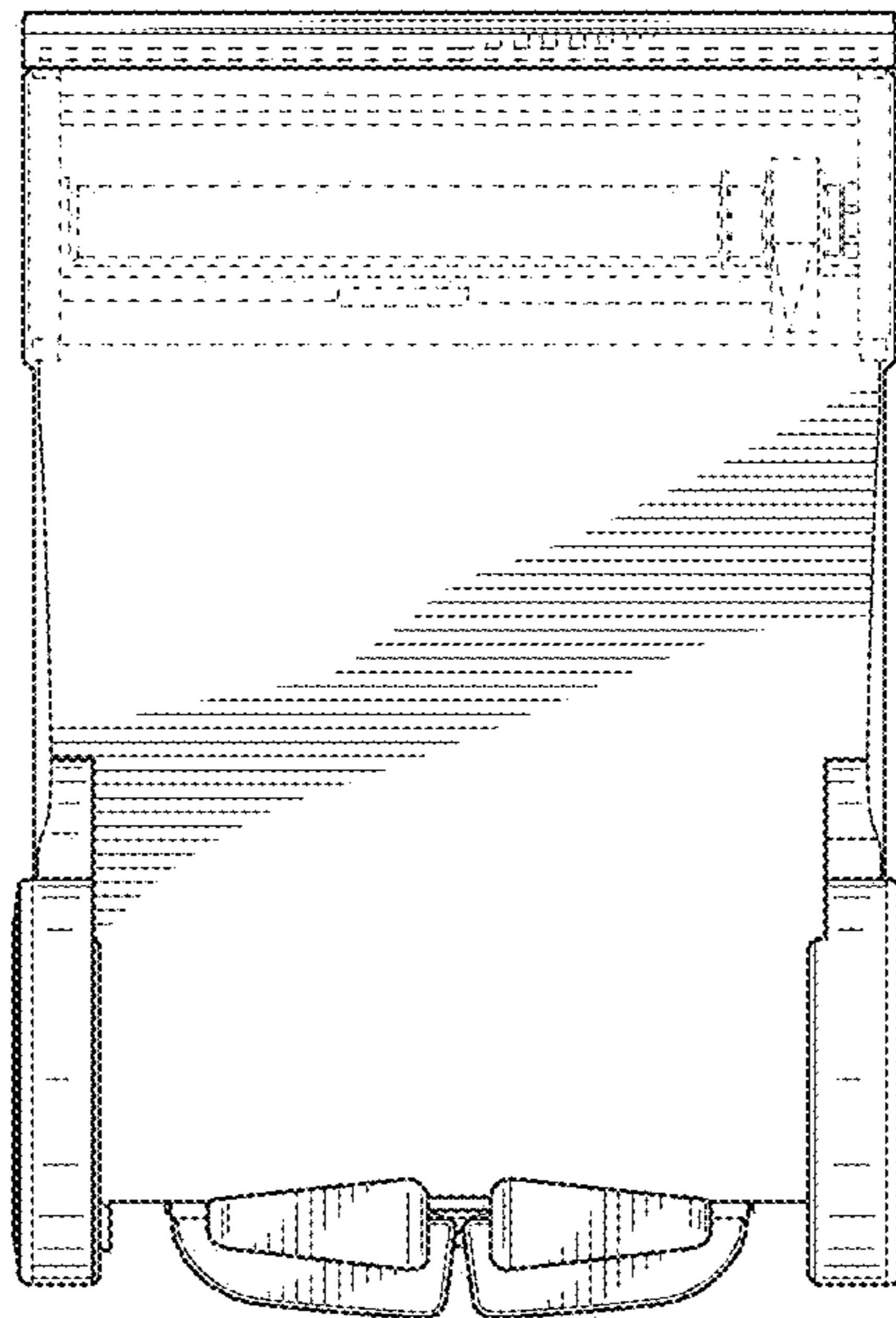


FIG. 7