



US00D962561S

(12) **United States Design Patent** (10) **Patent No.:** **US D962,561 S**  
**Zhu** (45) **Date of Patent:** **\*\* Aug. 30, 2022**

(54) **PET HAIR REMOVER**

A45D 24/42; A45D 24/44; A45D  
2024/002; B26B 19/24; B26B 19/063;  
B26B 21/16; B26B

(71) Applicant: **Yonghong Zhu**, Shenzhen (CN)

(Continued)

(72) Inventor: **Yonghong Zhu**, Shenzhen (CN)

(\*\*) Term: **15 Years**

(56) **References Cited**

(21) Appl. No.: **29/805,253**

U.S. PATENT DOCUMENTS

(22) Filed: **Aug. 25, 2021**

2,671,917 A \* 3/1954 Martin ..... B65H 35/0026  
225/6

(51) **LOC (13) Cl.** ..... **30-99**

D187,977 S \* 5/1960 Pastoret ..... D8/19  
(Continued)

(52) **U.S. Cl.**

USPC ..... **D30/159**

OTHER PUBLICATIONS

(58) **Field of Classification Search**

USPC ..... D4/132-138, 124-129, 116-119, 199,  
D4/194, 100-102, 122; D7/393, 395,  
D7/401.2; D8/107, 303; D28/29, 10, 28,  
D28/30, 35, 37; 15/143.1, 159.1, 160,  
15/186-188, DIG. 5, 191.1, 192, 193,  
15/201, 207.2; 16/430; 132/119.1, 120,  
132/142, 313, 161, 121, 271, 219, 141,  
132/143-144, 137, 123-130, 901, 270,  
132/150-155, 147, 148, 139, 158, 160,  
132/149, 112-116, 213.1; D30/158, 159;  
119/600, 612, 625, 633, 628, 632, 631,  
119/611, 601, 605, 606, 613-620, 630;  
30/114, 130, 301, 305, 315, 316, 299,  
30/303, 306, 169, 322, 31, 30, 279.2,  
30/280, 287, 294, 199, 329-344, 346.56,  
30/346.61, 355, 357, 34.05

CZWCARE Mini Pet Hair Detailer [https://www.amazon.com/CZWCARE-Detailer-Remover-Cleaners-Furniture/dp/B09BQKD8MG/ref=asc\\_df\\_B09BQKD8MG/](https://www.amazon.com/CZWCARE-Detailer-Remover-Cleaners-Furniture/dp/B09BQKD8MG/ref=asc_df_B09BQKD8MG/) Aug. 2021 (Year: 2021).\*

(Continued)

CPC .... A46B 1/00; A46B 3/00; A46B 3/20; A46B  
3/22; A46B 5/0008; A46B 5/028; A46B  
5/00; A46B 5/02; A46B 5/021; A46B  
5/023; A46B 5/025; A46B 5/026; A46B  
9/00; A46B 9/005; A46B 9/02; A46B  
9/023; A46B 9/025; A46B 9/026; A46B  
2200/00; A46B 2200/10; A46B 2200/102;  
A46B 2200/104; A46B 2200/1093; A46D  
1/00; Y10S 15/05; A01K 13/00; A01K  
13/002; A01K 13/003; A45D 24/30;  
A45D 24/00; A45D 24/04; A45D 24/10;  
A45D 24/36; A45D 24/02; A45D 24/08;

*Primary Examiner* — Susan Moon Lee  
(74) *Attorney, Agent, or Firm* — Che-Yang Chen; Law  
Office of Michael Chen

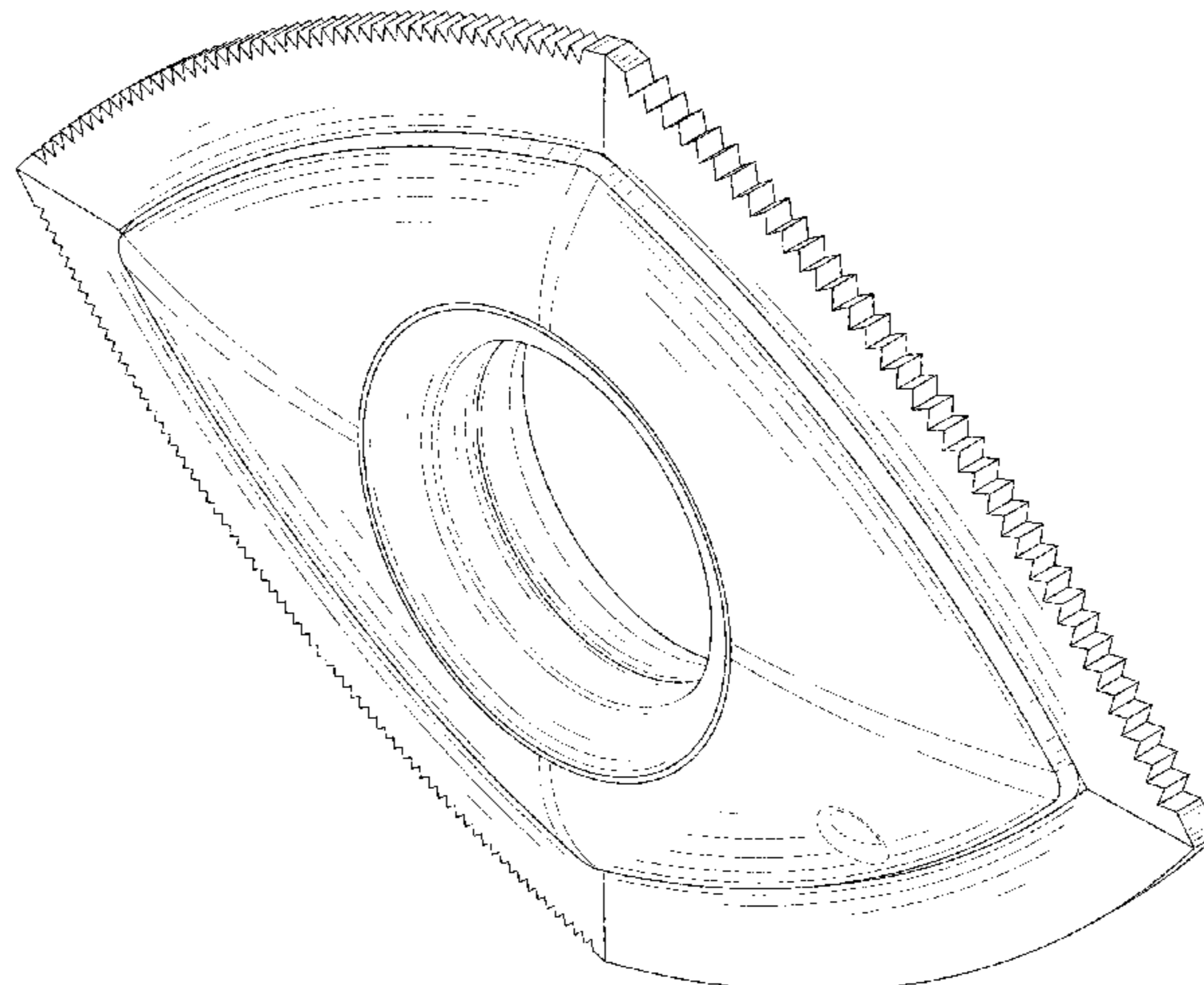
(57) **CLAIM**

The ornamental design for a pet hair remover, as shown and described.

**DESCRIPTION**

FIG. 1 is a perspective view of a pet hair remover showing my new design;  
FIG. 2 is a perspective view thereof from another angle;  
FIG. 3 is a front elevational view thereof;  
FIG. 4 is a rear elevational view thereof;  
FIG. 5 is a left side elevational view thereof;  
FIG. 6 is a right side elevational view thereof;  
FIG. 7 is a top plan view thereof; and,  
FIG. 8 is a bottom plan view thereof.

(Continued)



The broken lines depict portions of the pet hair remover that form no part of the design claim but are included for illustrative purposes.

**1 Claim, 8 Drawing Sheets**

(58) **Field of Classification Search**

CPC ... 21/18; B26B 21/521; B26B 21/4075; B26B 21/522; B26B 21/12; B26B 21/125; B26B 1/08

See application file for complete search history.

(56) **References Cited**

U.S. PATENT DOCUMENTS

D201,944 S \* 8/1965 Leopoldi ..... D28/59  
 3,409,029 A \* 11/1968 Kumpa ..... A45D 24/04  
 132/133  
 D224,847 S \* 9/1972 Thomas ..... D28/21  
 D245,462 S \* 8/1977 Hauf ..... D4/129  
 D282,295 S \* 1/1986 Harvey ..... D28/29  
 4,866,806 A \* 9/1989 Bedford ..... A47L 13/16  
 15/244.4  
 D305,662 S \* 1/1990 Niebauer ..... D15/139  
 D375,372 S \* 11/1996 Allen ..... D26/37  
 D376,661 S \* 12/1996 Matthies ..... D12/114  
 D457,304 S \* 5/2002 Yuen ..... D3/209  
 D540,485 S \* 4/2007 Waedeled ..... D26/70  
 D559,460 S \* 1/2008 Garland ..... D28/59  
 D620,916 S \* 8/2010 Wada ..... D14/149

7,918,233 B2 \* 4/2011 Burgess ..... A46B 9/02  
 132/75.6  
 D640,227 S \* 6/2011 Wada ..... D14/149  
 D653,722 S \* 2/2012 Morris, Jr. .... D21/796  
 D700,672 S \* 3/2014 Riley ..... D21/795  
 D705,544 S \* 5/2014 Masalin ..... D4/138  
 9,332,826 B2 \* 5/2016 Spillman, Jr. .... A46B 11/002  
 D758,741 S \* 6/2016 Sussman ..... D4/137  
 9,516,861 B2 \* 12/2016 Renforth ..... A01K 13/002  
 D775,513 S \* 1/2017 Kelleghan ..... D8/356  
 D834,565 S \* 11/2018 Sarrasin ..... D14/227  
 D845,497 S \* 4/2019 Cole ..... D24/200  
 D847,693 S \* 5/2019 Kim ..... D11/216  
 D858,109 S \* 9/2019 Crawford ..... D4/130  
 D878,767 S \* 3/2020 Uyttenboogaard ..... D4/129  
 D898,302 S 10/2020 Zhang  
 D919,199 S 5/2021 Xu  
 D923,259 S 6/2021 Chen  
 2006/0266160 A1 \* 11/2006 Yeh ..... B67B 7/44  
 81/3.4  
 2009/0145451 A1 \* 6/2009 Burgess ..... A45D 29/04  
 132/75.6  
 2013/0343041 A1 \* 12/2013 Renforth ..... A46B 7/023  
 362/109

OTHER PUBLICATIONS

Yarenka Mini Pet Hair Remover [https://www.amazon.com/YARENKA-Professional-Cleaning-Furnishings-Interiors/dp/B08V55KQZY/ref=sr\\_1\\_11](https://www.amazon.com/YARENKA-Professional-Cleaning-Furnishings-Interiors/dp/B08V55KQZY/ref=sr_1_11) Jan. 2021 (Year: 2021).\*  
 Mumutan Pet Epilator Mini Pet Hair Remover Detailer Dog hair remover [https://www.amazon.com/dp/B09MTL9TPK/ref=sspa\\_dk\\_detail\\_0](https://www.amazon.com/dp/B09MTL9TPK/ref=sspa_dk_detail_0) Dec. 2021 (Year: 2021).\*

\* cited by examiner

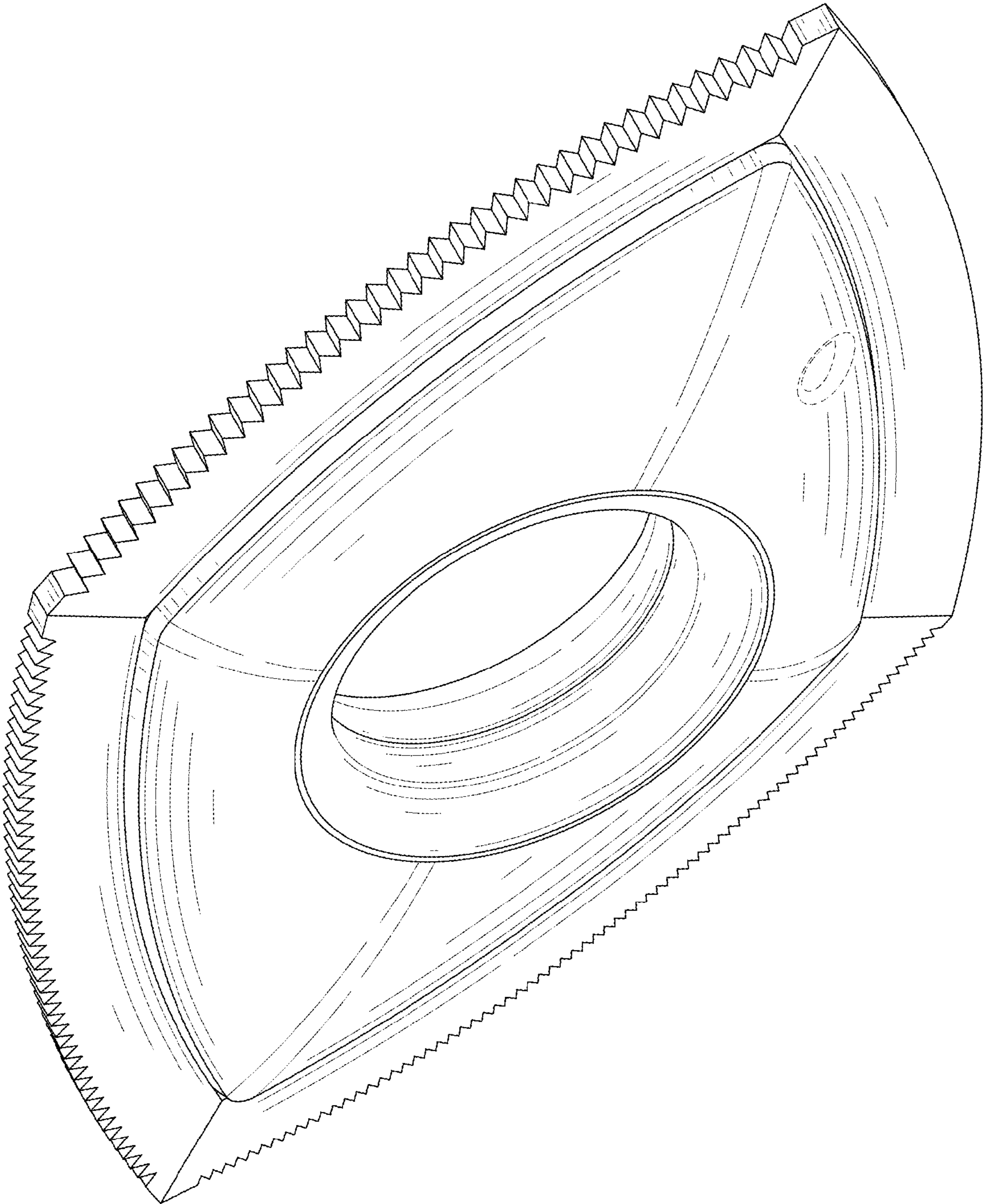


FIG. 1

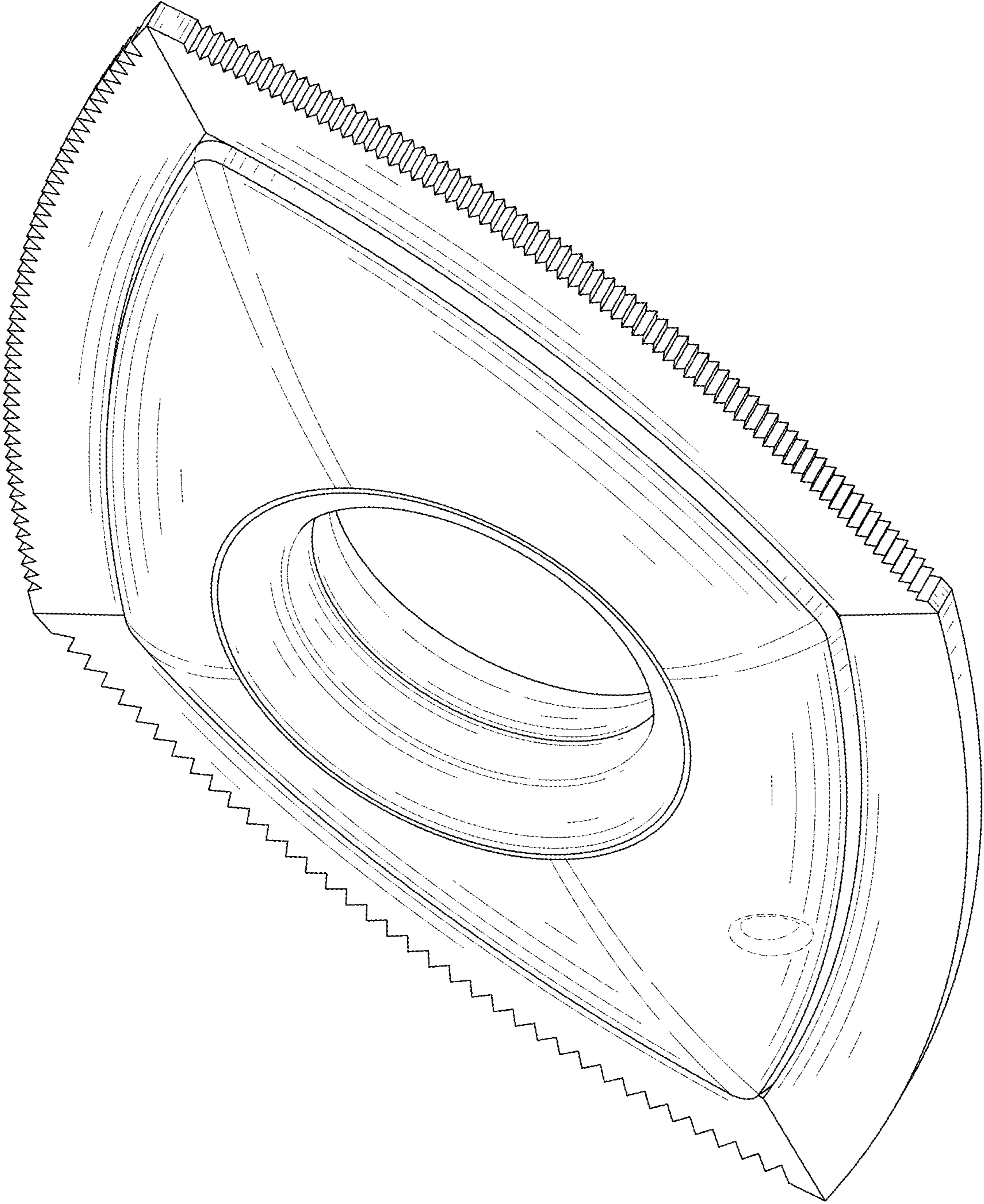


FIG. 2

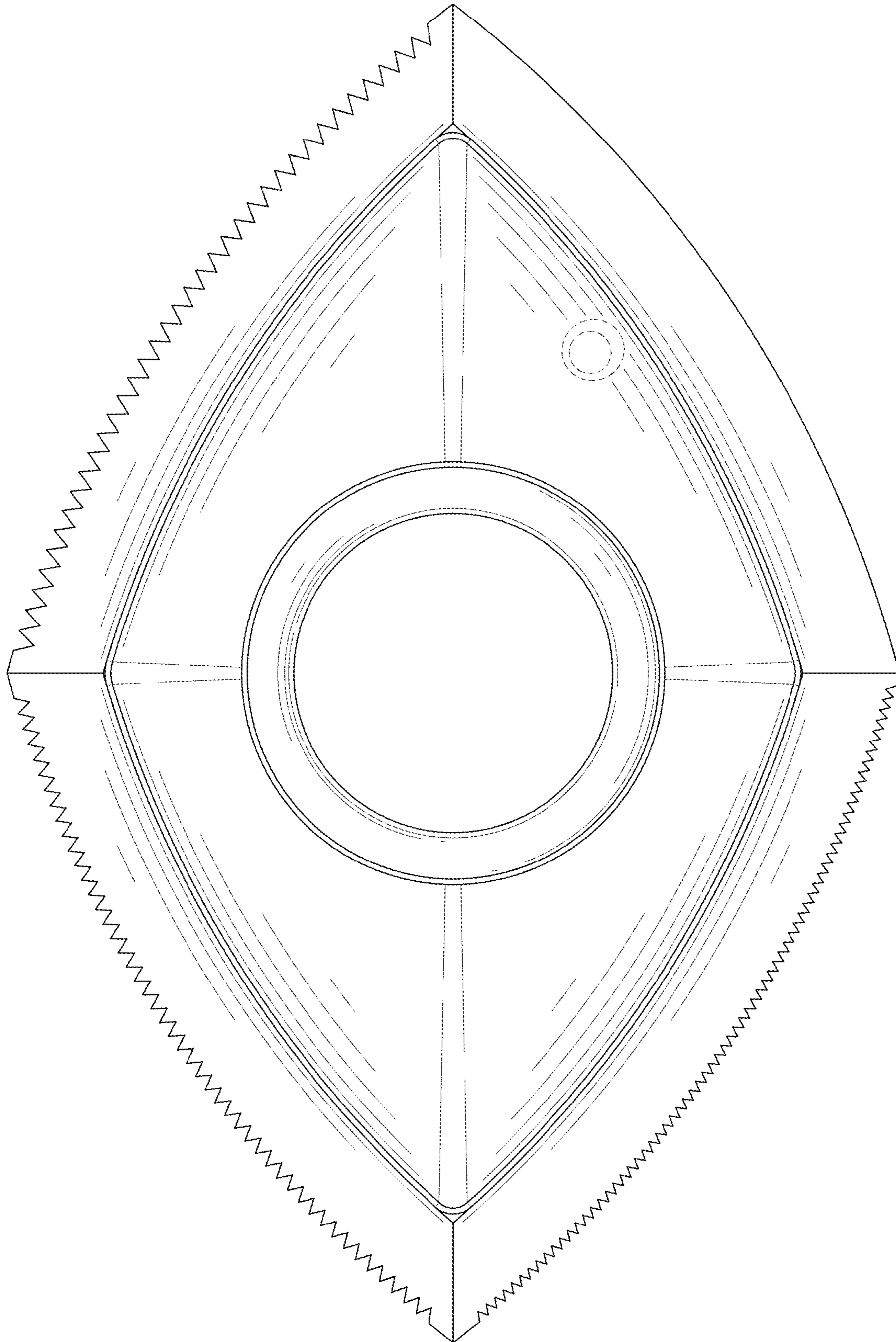


FIG. 3

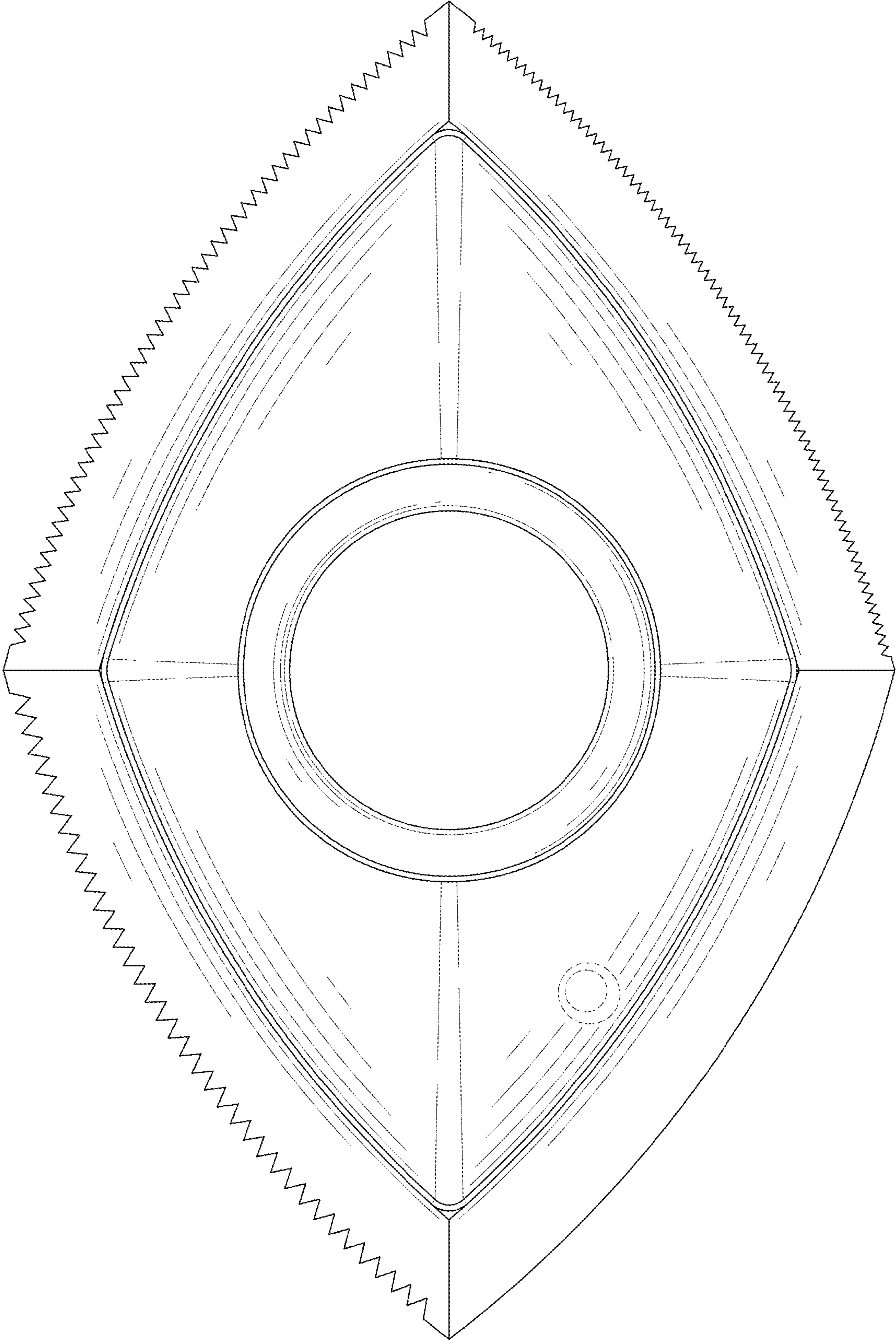


FIG. 4

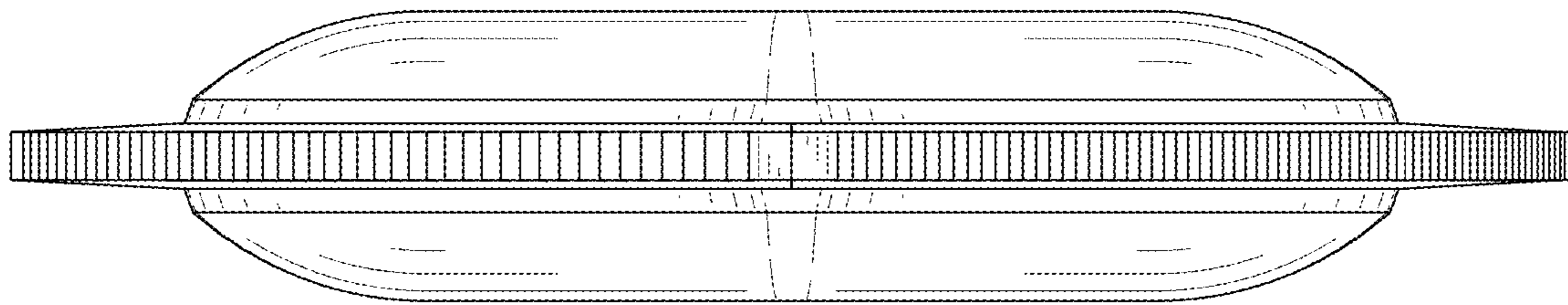


FIG. 5

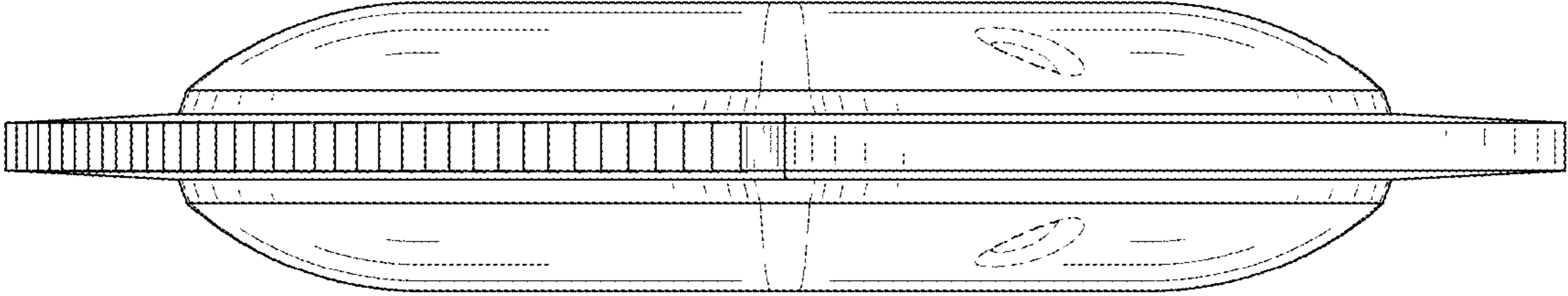


FIG. 6



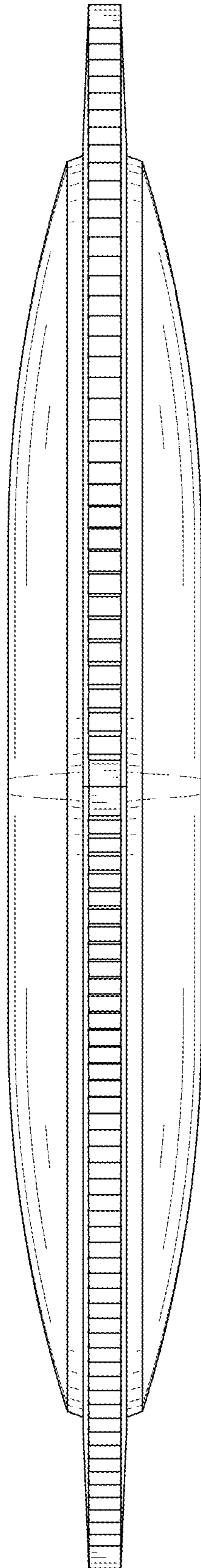


FIG. 7

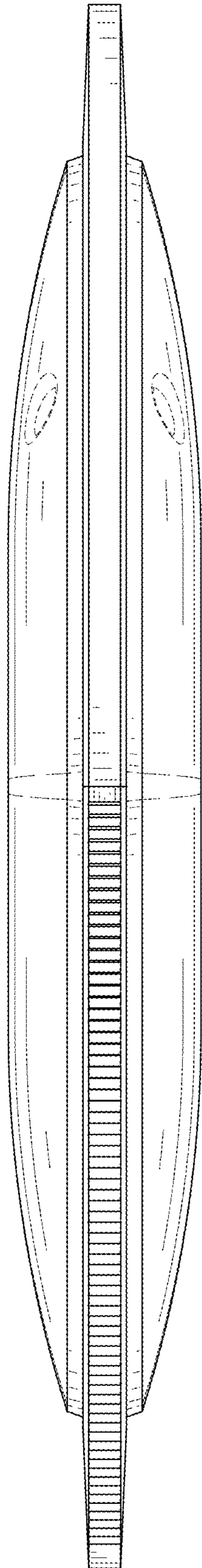


FIG. 8