

US00D962559S

(12) **United States Design Patent**
Dong

(10) **Patent No.:** **US D962,559 S**

(45) **Date of Patent:** **** Aug. 30, 2022**

(54) **STOP BARKING DEVICE**

(71) Applicant: **Fuliang Dong**, Shenzhen (CN)

(72) Inventor: **Fuliang Dong**, Shenzhen (CN)

(**) Term: **15 Years**

(21) Appl. No.: **29/698,121**

(22) Filed: **Jul. 15, 2019**

(30) **Foreign Application Priority Data**

Jun. 10, 2019 (CN) 201930294618.7

(51) **LOC (13) Cl.** **30-04**

(52) **U.S. Cl.**
USPC **D30/152; D30/199; D10/104.1**

(58) **Field of Classification Search**
USPC D30/199, 144, 151, 152, 153, 155, 156,
D30/160; D10/104.1; 119/712, 714,
119/716-720, 722; D23/366; D26/44

CPC A01K 15/02; A01K 15/022
See application file for complete search history.

(56) **References Cited**

U.S. PATENT DOCUMENTS

D453,484 S *	2/2002	Christianson	D10/104.1
D632,853 S *	2/2011	Hardi	D30/155
D666,367 S *	8/2012	Miller	D30/152
D683,915 S *	6/2013	So	D30/199
D706,500 S *	6/2014	Hu	D30/199
D713,103 S *	9/2014	Sproviero	D30/199
D808,389 S *	1/2018	Judge	D14/240
D819,280 S *	5/2018	Li	D30/199
D822,921 S *	7/2018	Wen	D30/199
D828,965 S *	9/2018	Wen	D30/199
D833,897 S *	11/2018	Simpson	D10/70
D836,261 S *	12/2018	Ni	D30/199
D853,666 S *	7/2019	Ni	D30/199

D858,904 S *	9/2019	Zinn	D30/152
D861,259 S *	9/2019	Dong	D30/152
D870,399 S *	12/2019	Van Curen	D30/152
D884,994 S *	5/2020	Ni	D30/199
D888,353 S *	6/2020	Lan	D30/199
D890,456 S *	7/2020	Dai	D30/199
D895,908 S *	9/2020	Yan	D30/152

OTHER PUBLICATIONS

“Dog training collar Dog collar” available Jul. 2, 2019, [online], [site visited May 13, 2021]. Retrieved from Internet, URL: https://www.amazon.com/training-collar-vibration-rechargeable-waterproof/dp/B07TS5W7P9/ref=sr_1_255 (Year: 2019).*

“Atrineraz Dog Training Collar with Remote” available Feb. 1, 2020, [online], [site visited]. Retrieved from Internet, URL: https://www.amazon.com/Colorful-Rechargeable-Waterproof-Adjustable-Vibration/dp/B0852XM33P/ref=pd_di_sccai_44 (Year: 2020).*

(Continued)

Primary Examiner — W. A. Teddy Falloway

Assistant Examiner — Katrina N Gonzalez

(57) **CLAIM**

The ornamental design for a stop barking device, as shown and described.

DESCRIPTION

FIG. 1 is a left, front, perspective view of a stop barking device;

FIG. 2 is a right perspective view thereof;

FIG. 3 is a front view thereof;

FIG. 4 is a back view thereof;

FIG. 5 is a left side view thereof;

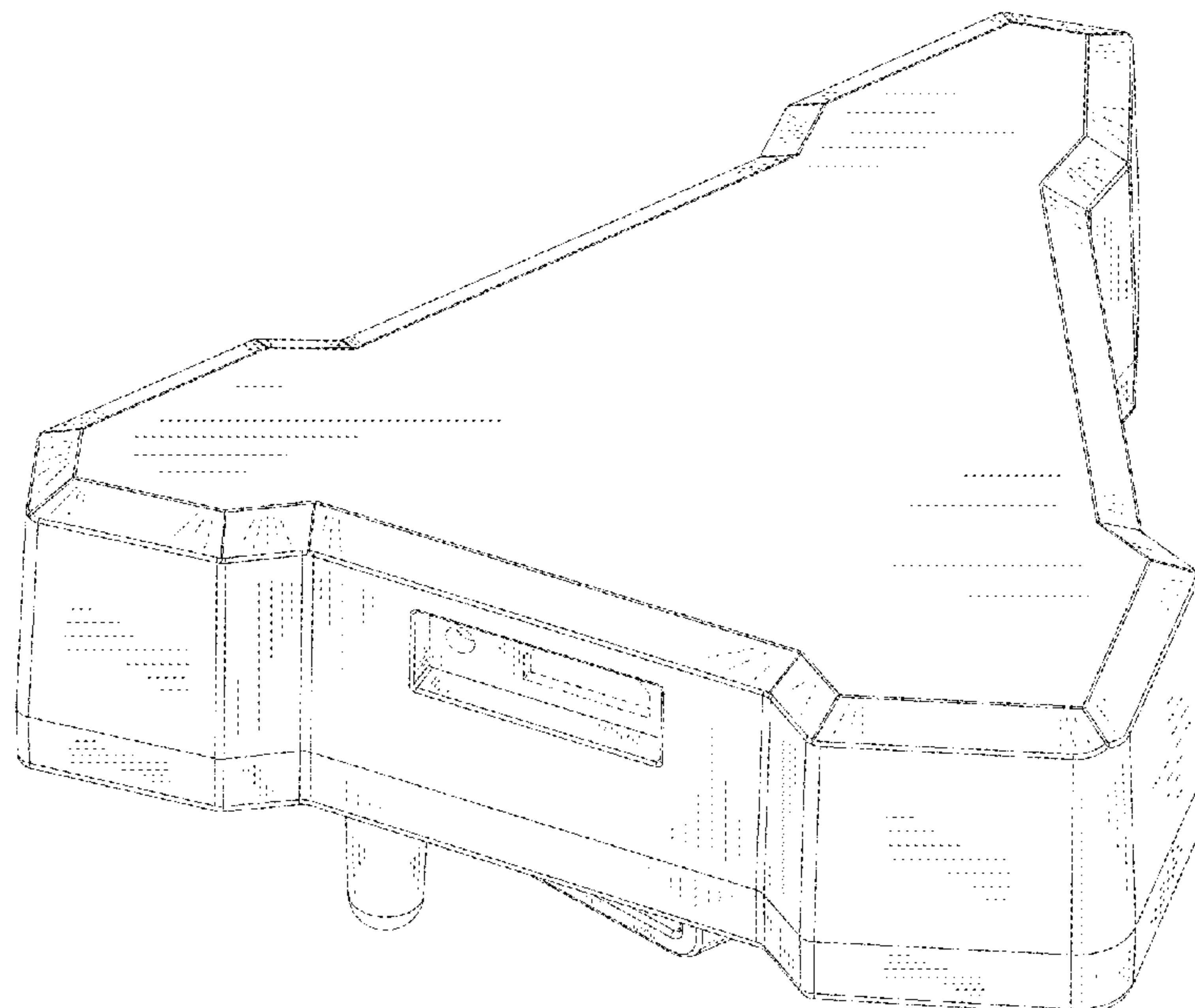
FIG. 6 is a right side view thereof;

FIG. 7 is a top plan view thereof; and,

FIG. 8 is a bottom plan view thereof.

The portions of the article shown in broken lines for a no part of the claimed design.

1 Claim, 8 Drawing Sheets



(56)

References Cited

OTHER PUBLICATIONS

“Ultrasonic Anti Bark Dog Stop Barking Collar” available May 11, 2021, [online], [site visited May 11, 2021]. Retrieved from Internet, URL:<https://eclats-antivols.fr/en/ean/3511-ultrasonic-anti-bark-dog-stop-barking-collar-9921-anti-barking-device-ultrason-radar-bark-control-collar-dog-3574590385504.html> (Year: 2021).*

* cited by examiner

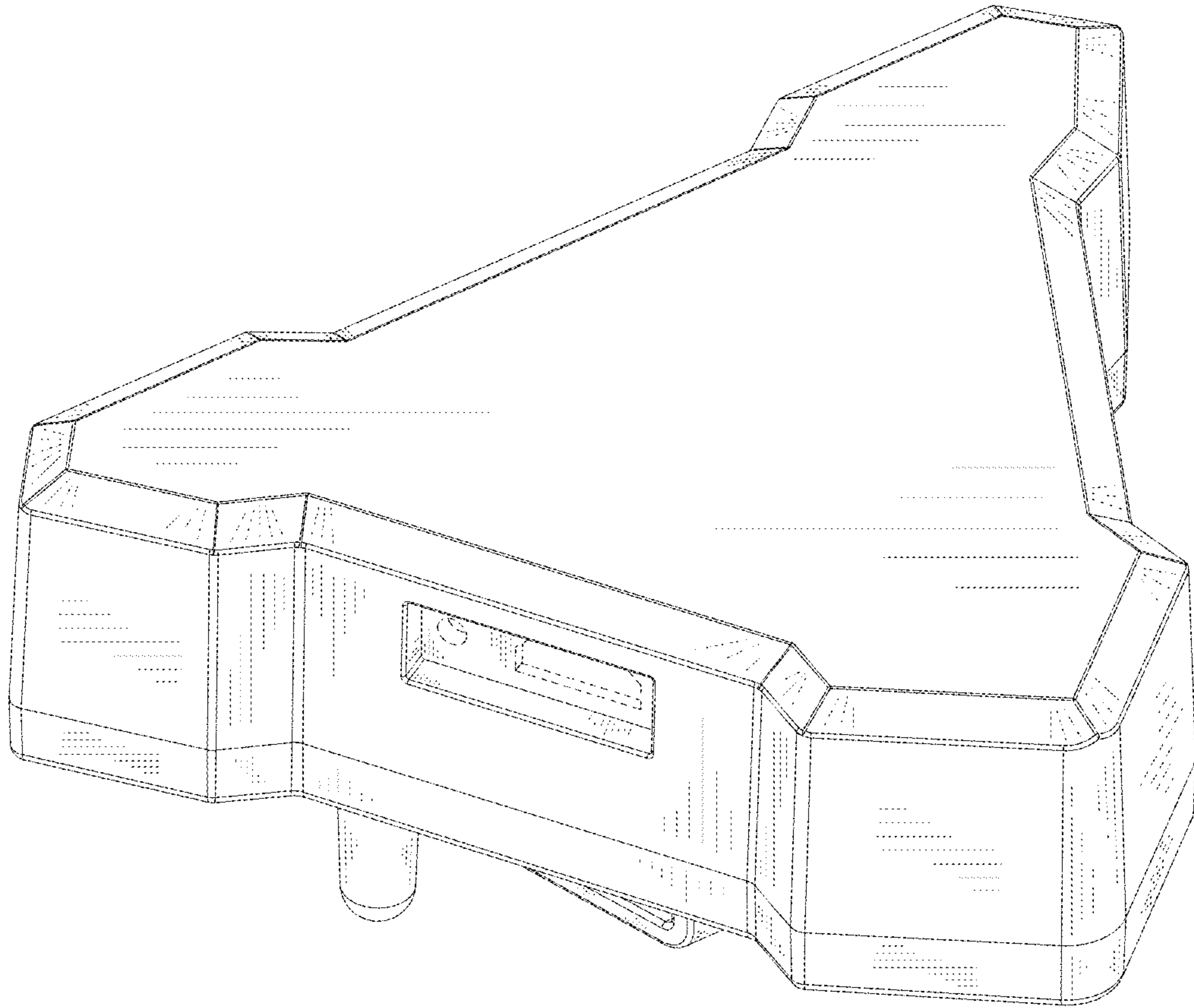


FIG.1

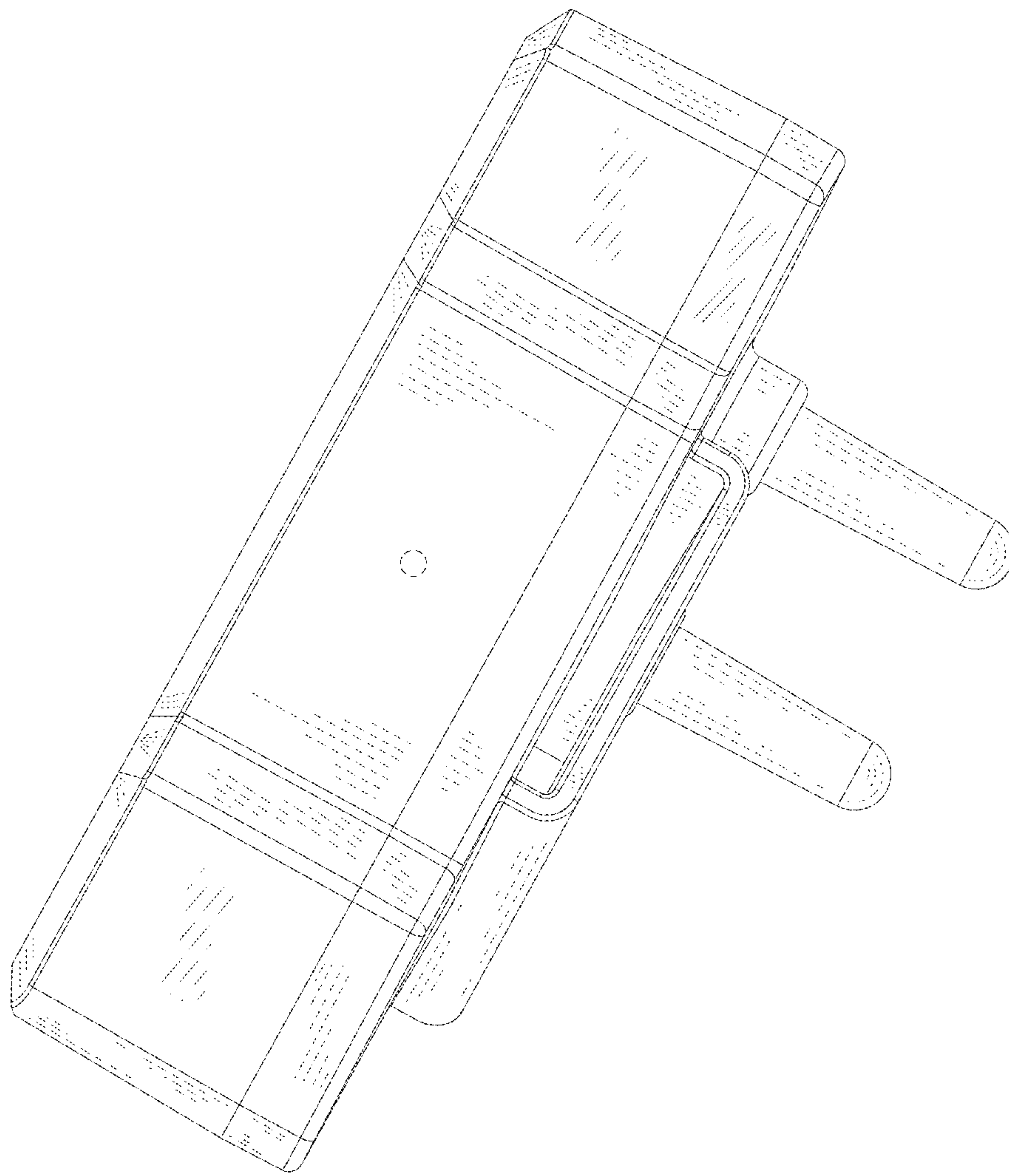


FIG.2

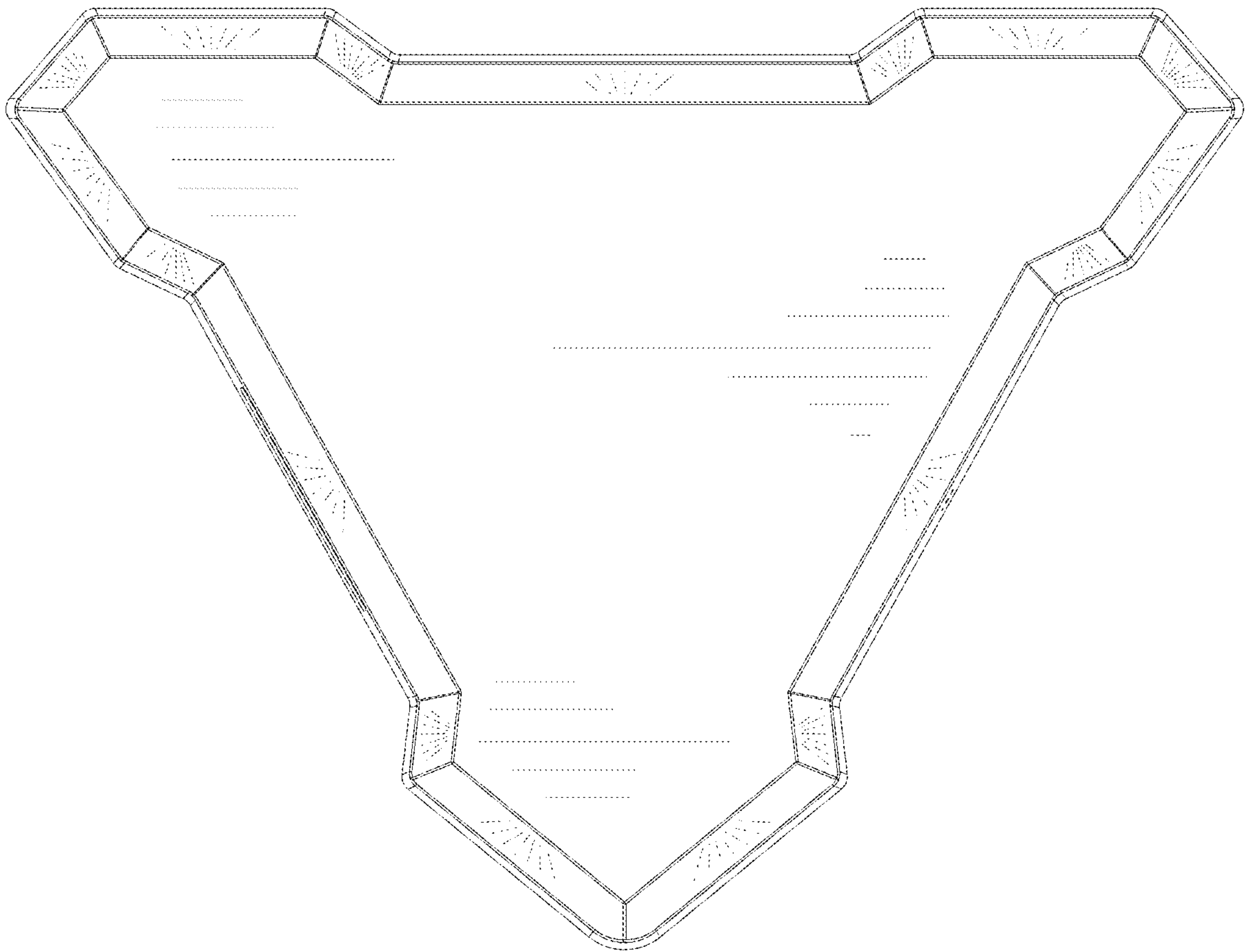


FIG.3

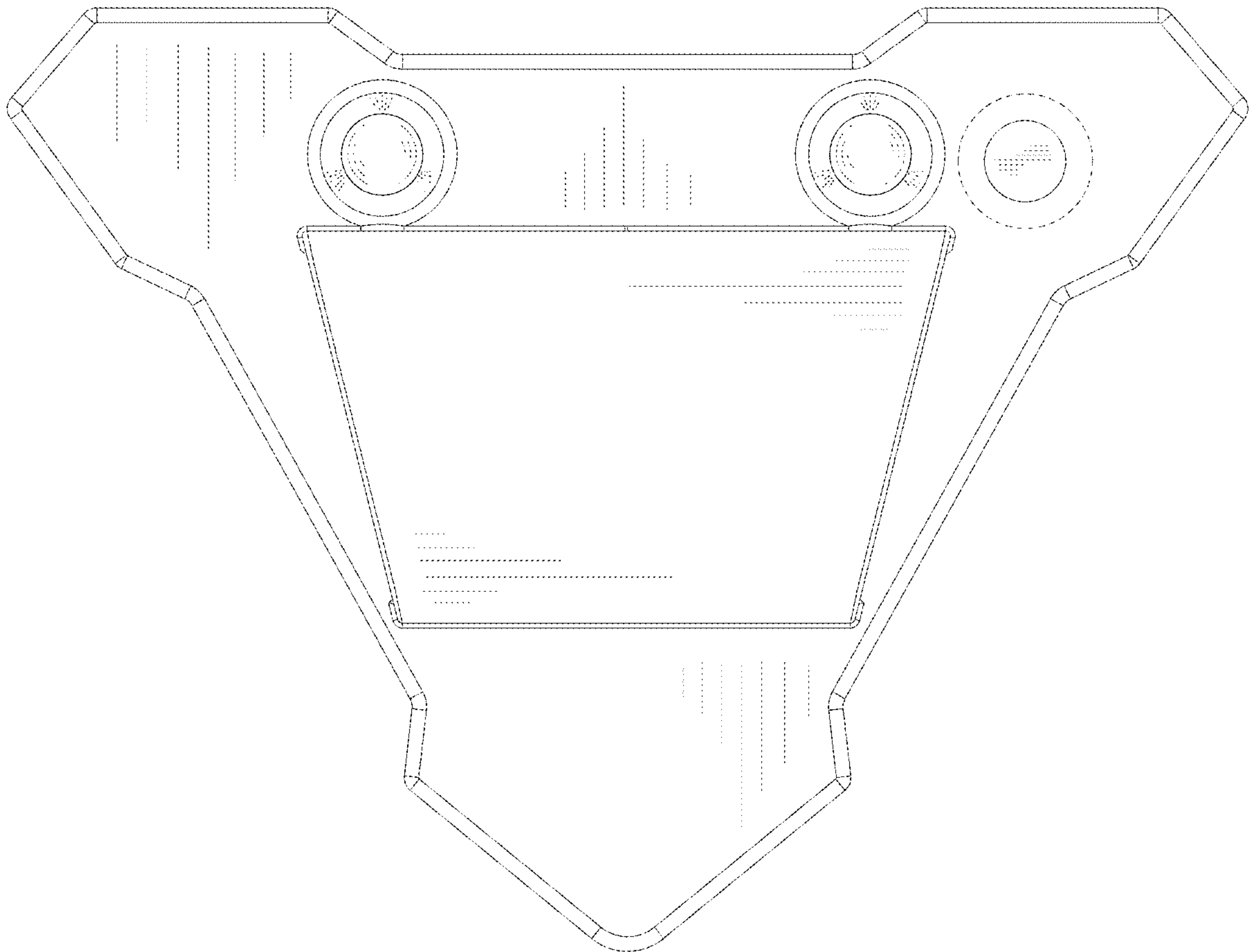


FIG.4

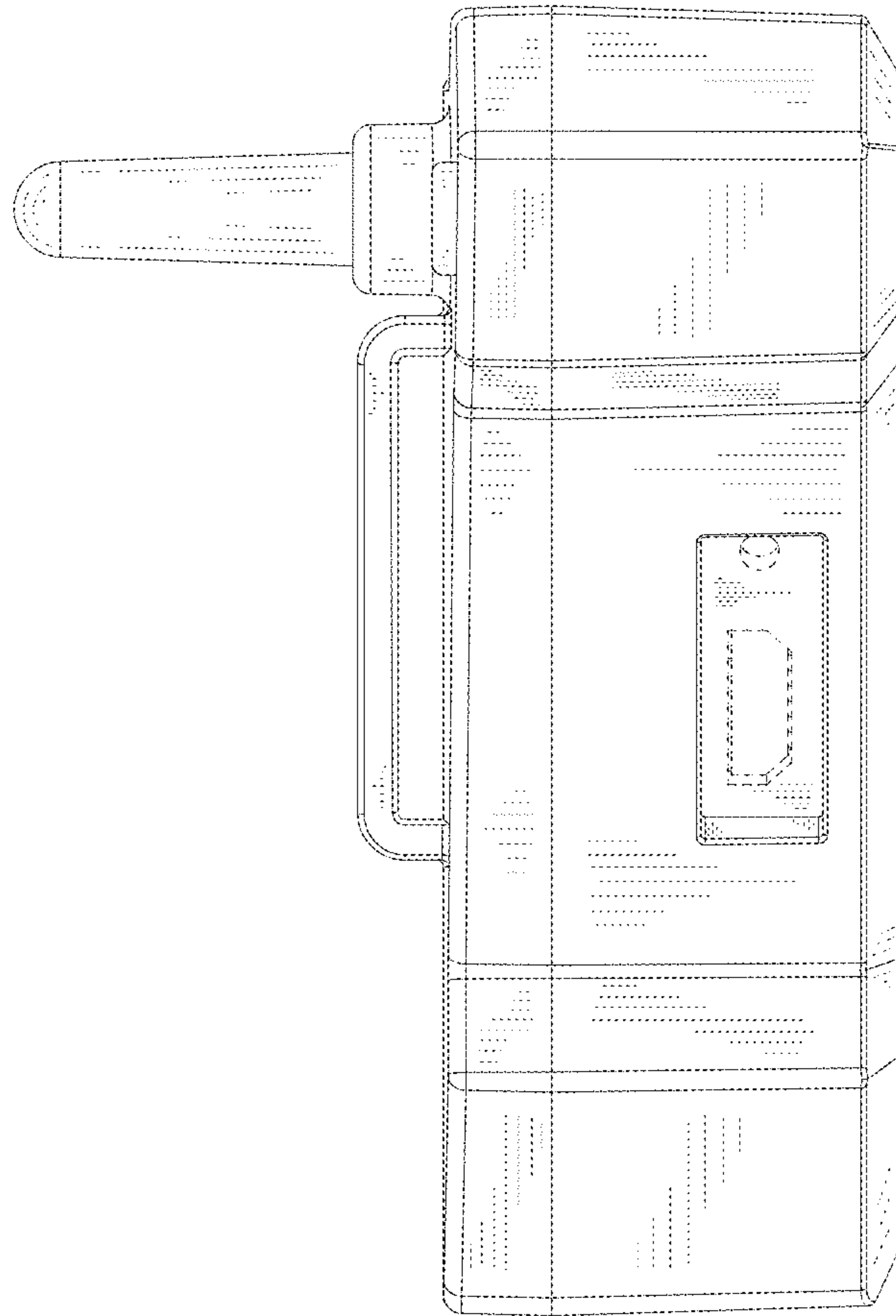


FIG.5

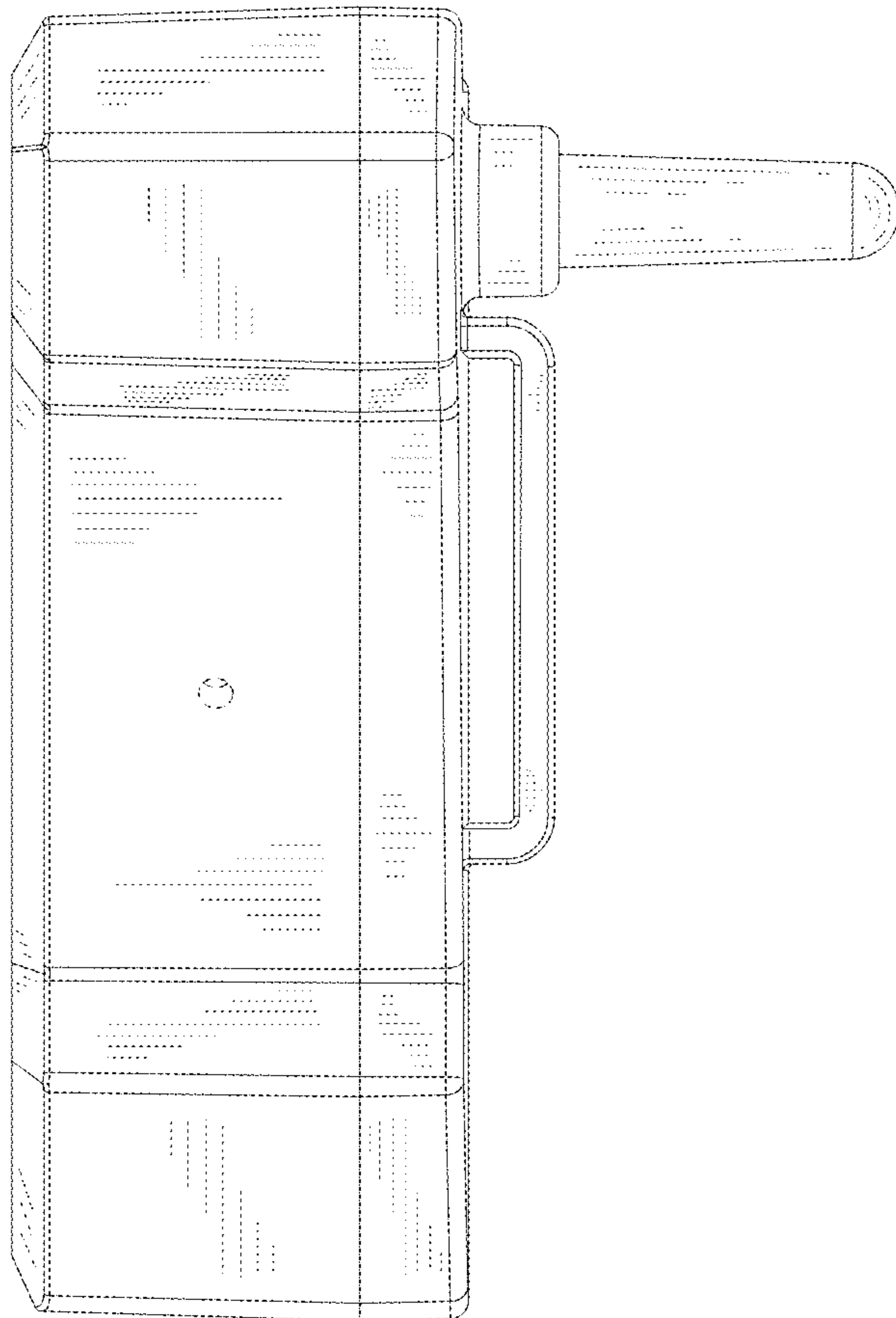


FIG.6

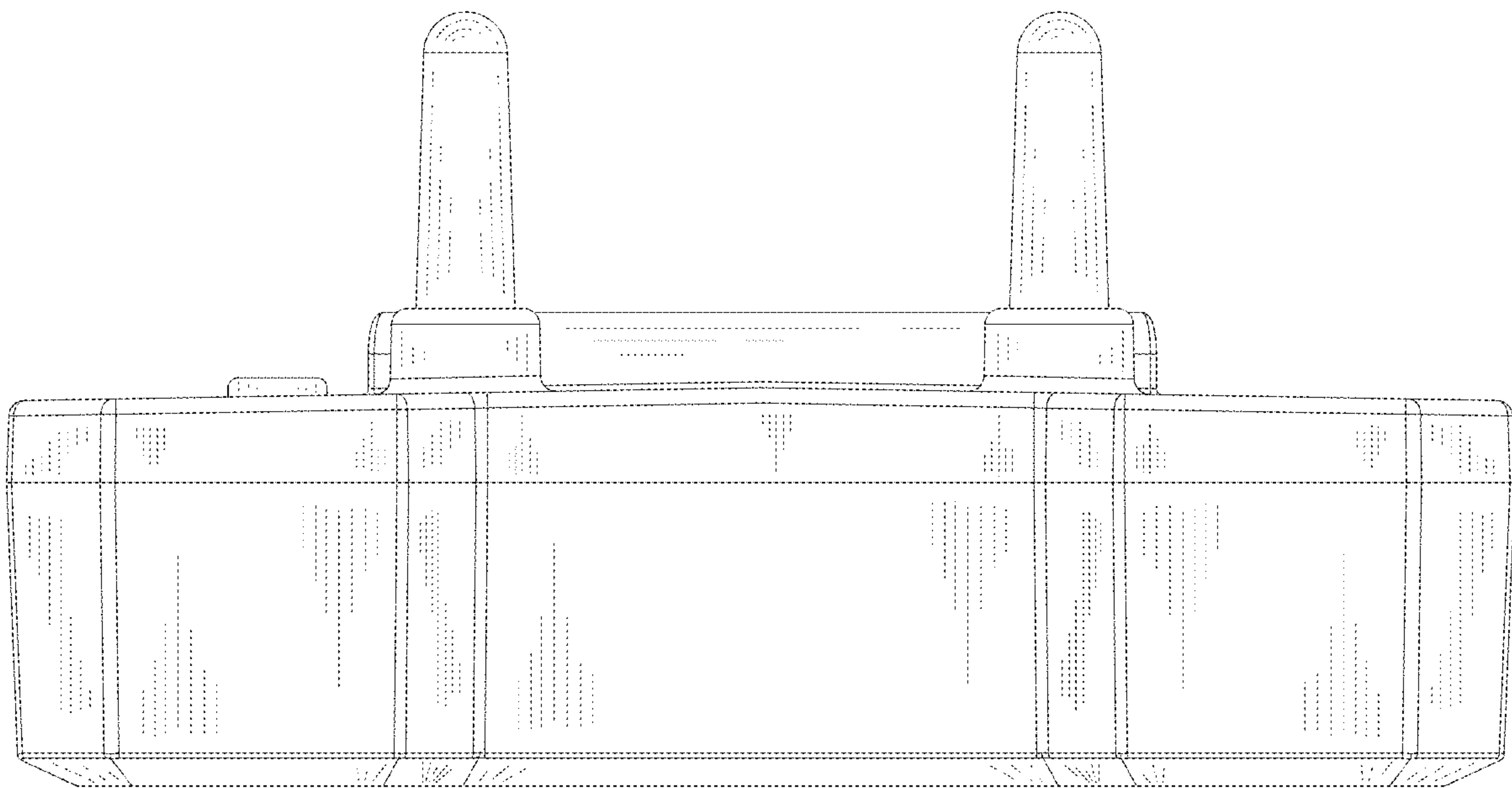


FIG.7

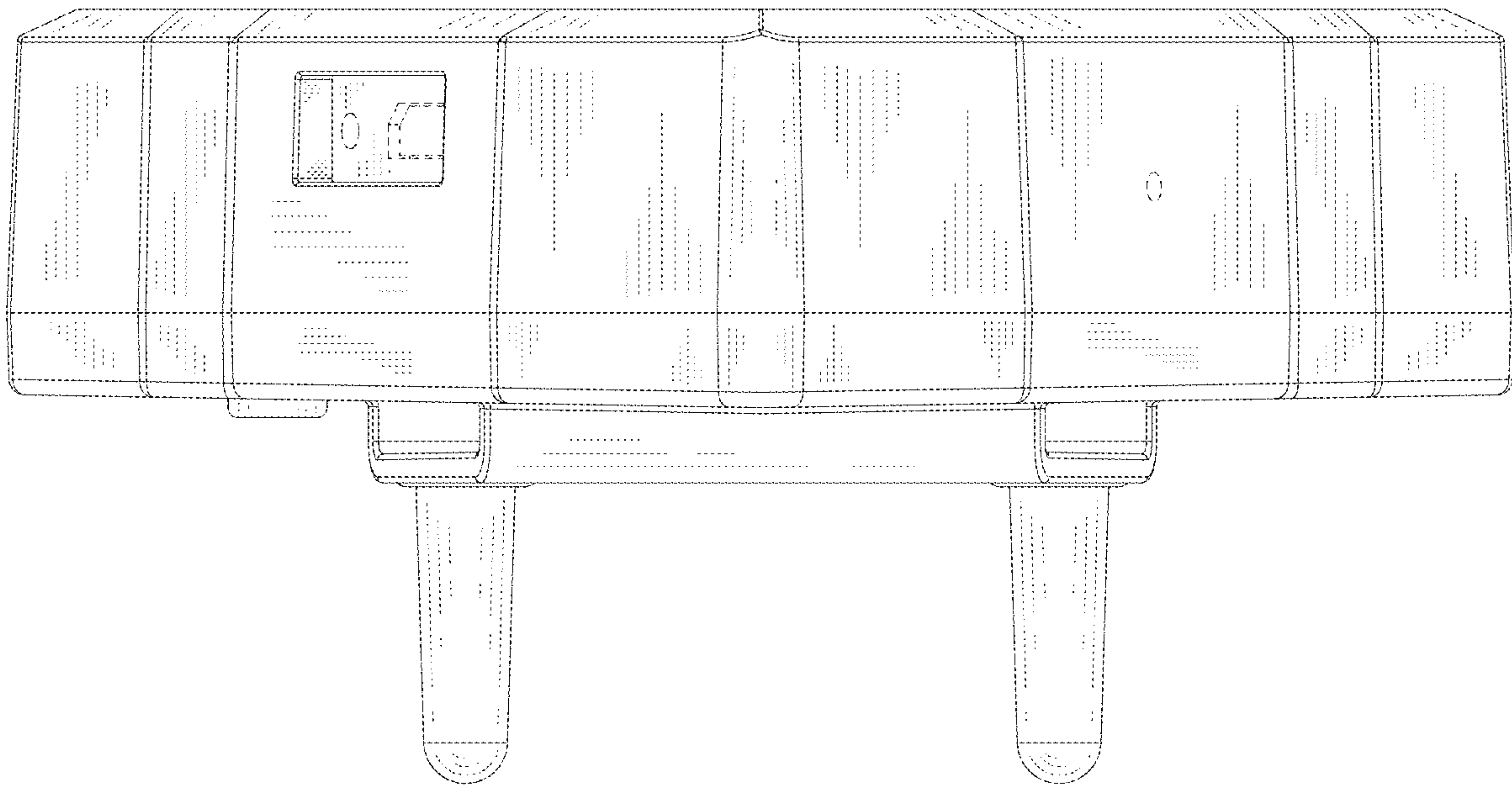


FIG.8