

US00D962558S

(12) **United States Design Patent**
Yang

(10) **Patent No.:** **US D962,558 S**

(45) **Date of Patent:** **** Aug. 30, 2022**

(54) **ADJUSTABLE HEIGHT PET BOWL**

(71) Applicant: **Chongjue Yang**, Cangzhou (CN)

(72) Inventor: **Chongjue Yang**, Cangzhou (CN)

(**) Term: **15 Years**

(21) Appl. No.: **29/810,992**

(22) Filed: **Oct. 11, 2021**

(30) **Foreign Application Priority Data**

Apr. 19, 2021 (CN) 202130221292.2

(51) **LOC (13) Cl.** **30-03**

(52) **U.S. Cl.**
USPC **D30/133; D30/121; D30/131; D30/130**

(58) **Field of Classification Search**
USPC D30/133, 121, 128, 130, 132; 119/52.1, 119/55, 61.5, 61.6, 61.57, 61.56, 61.55, 119/61.54, 51.5, 51.01; D6/480-489, D6/708, 691.6, 656.13, 691.8, 495-499, D6/349, 429, 477, 353, 690; 248/188, 248/157, 188.5, 188.8, 188.9, 404, 248/226.11, 231.31, 127-132, 146, 149, 248/150, 151, 241; 312/204; 108/12, 19, 108/25, 26, 153.1-157, 144.11, 145, 146, 108/147.12, 147.21, 148, 149, 150, 151, 108/152, 157.1, 161, 147.19, 64, 136; 297/423.46, 423.44, 423.45; 5/659, 5/503.1, 505.1; 182/151, 222
CPC A01K 5/00; A01K 5/01; A01K 5/0107; A01K 5/0114; A01K 5/0121; A01K 5/0128; A01K 5/0135; A01K 7/005; A47B 3/00; A47B 3/002; A47B 3/06; A47B 9/00; A47B 9/16; A47B 9/14; A47B 9/18; A47B 2009/006

See application file for complete search history.

(56) **References Cited**

U.S. PATENT DOCUMENTS

4,658,759	A *	4/1987	Brown	A01K 5/0114
					119/61.5
5,107,775	A *	4/1992	Langlais	A47B 9/14
					248/188.5
5,509,376	A *	4/1996	Tsengas	A01K 5/0135
					119/51.5
D394,766	S *	6/1998	Brandt	D6/656.13
D399,067	S *	10/1998	Harrison	D6/349
D486,273	S	2/2004	Tsengas		
D486,274	S	2/2004	Tsengas		
7,341,019	B1 *	3/2008	Tsengas	A01K 7/005
					119/61.5
D592,814	S *	5/2009	Uffner	D30/133
D618,862	S *	6/2010	Shamoon	D30/129
D647,668	S *	10/2011	Siklosi	D30/131
9,226,478	B1 *	1/2016	Uhl	A01K 7/00

(Continued)

Primary Examiner — Susan Moon Lee

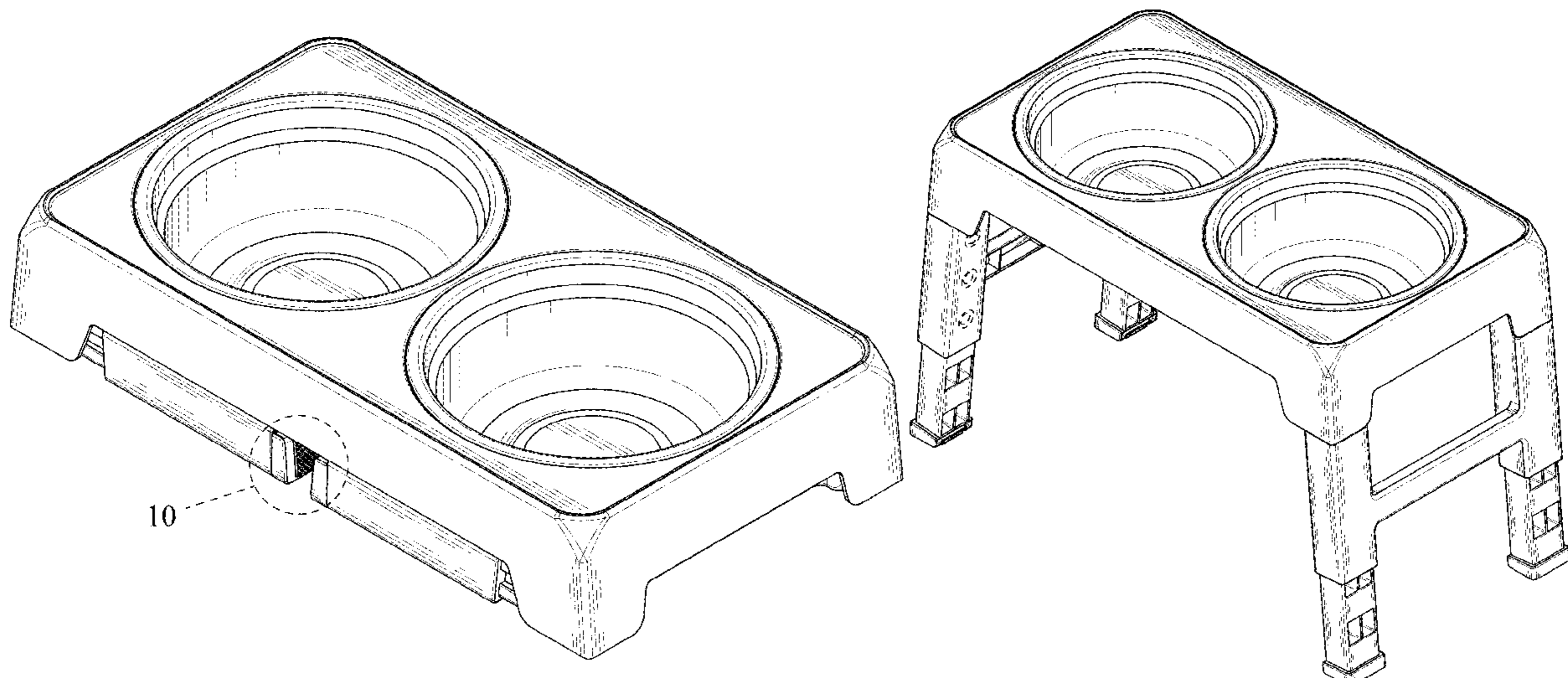
(57) **CLAIM**

The ornamental design for an adjustable height pet bowl, as shown and described.

DESCRIPTION

FIG. 1 is a folded perspective view of an adjustable height pet bowl showing my new design;
FIG. 2 is a front, right and top perspective view thereof;
FIG. 3 is a perspective view thereof with the bowl raised;
FIG. 4 is another perspective view thereof with the bowl raised;
FIG. 5 is a front view thereof;
FIG. 6 is a rear view thereof;
FIG. 7 is a left side view thereof;
FIG. 8 is a right side view thereof;
FIG. 9 is a top plan view thereof; and,
FIG. 10 is an enlarged partial view of FIG. 1.
The broken lines in the figures illustrate portions of the adjustable height pet bowl that form no part of the claimed design.

1 Claim, 10 Drawing Sheets



(56)

References Cited

U.S. PATENT DOCUMENTS

D777,993	S *	1/2017	Green	D30/131
D787,135	S *	5/2017	Green	D30/131
D820,536	S *	6/2018	Nishihara	D30/131
D822,914	S *	7/2018	Yang	D30/131
D830,647	S *	10/2018	Le	D30/131
D846,816	S *	4/2019	Tsengas	A01K 7/00
					D30/131
10,701,896	B1 *	7/2020	Tsengas	A01K 7/00
D896,448	S *	9/2020	Sharer	D30/133
D903,209	S *	11/2020	Jiang	D30/133
D933,311	S *	10/2021	Jiang	D30/131
2010/0107984	A1 *	5/2010	Uffner	A01K 5/0114
					119/61.5
2014/0346293	A1 *	11/2014	Qiu	A01K 5/0114
					248/176.1
2015/0308615	A1 *	10/2015	Neaves	A01K 1/035
					248/124.1
2018/0317448	A1 *	11/2018	Yang	A01K 5/0114

* cited by examiner

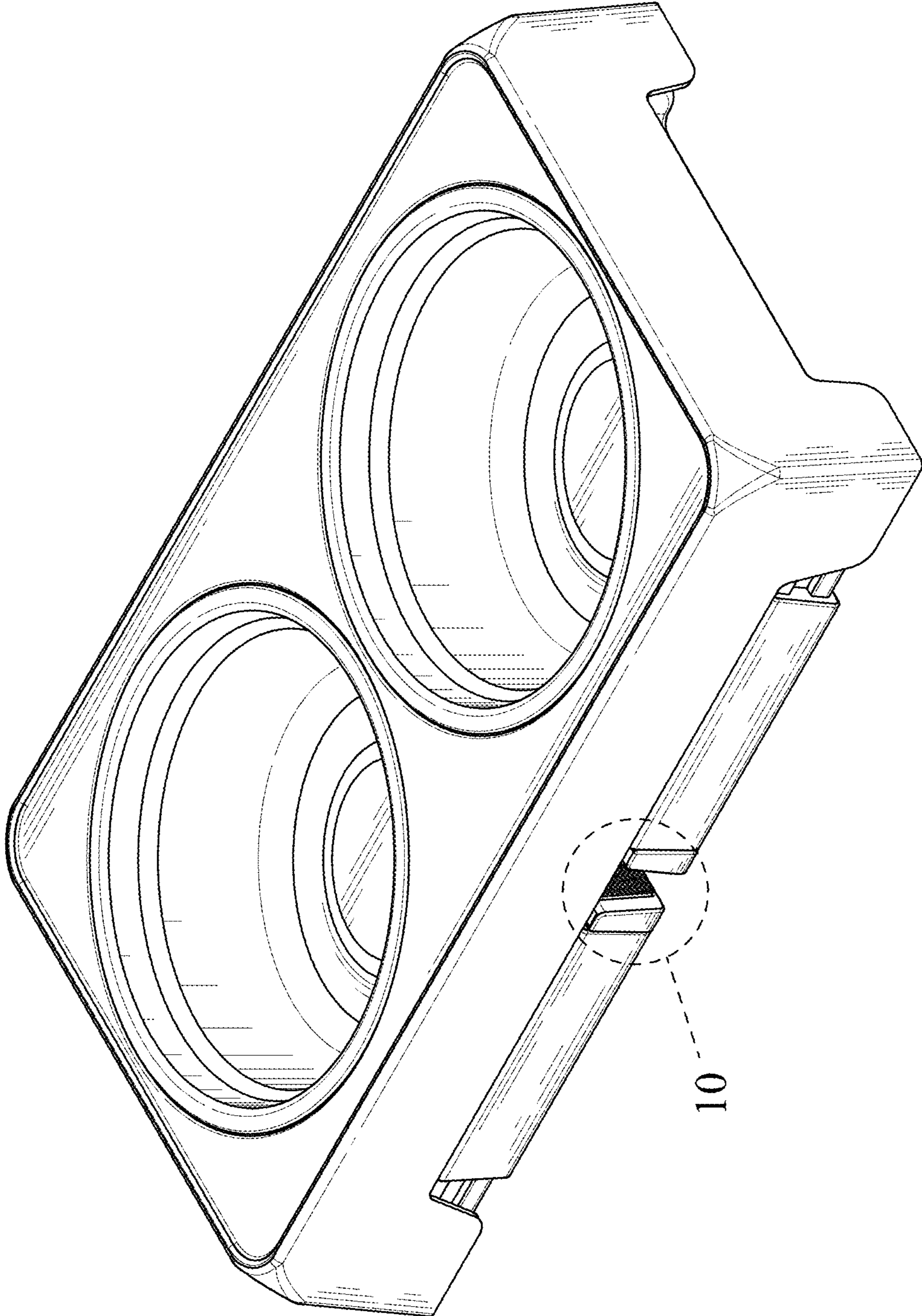


FIG. 1

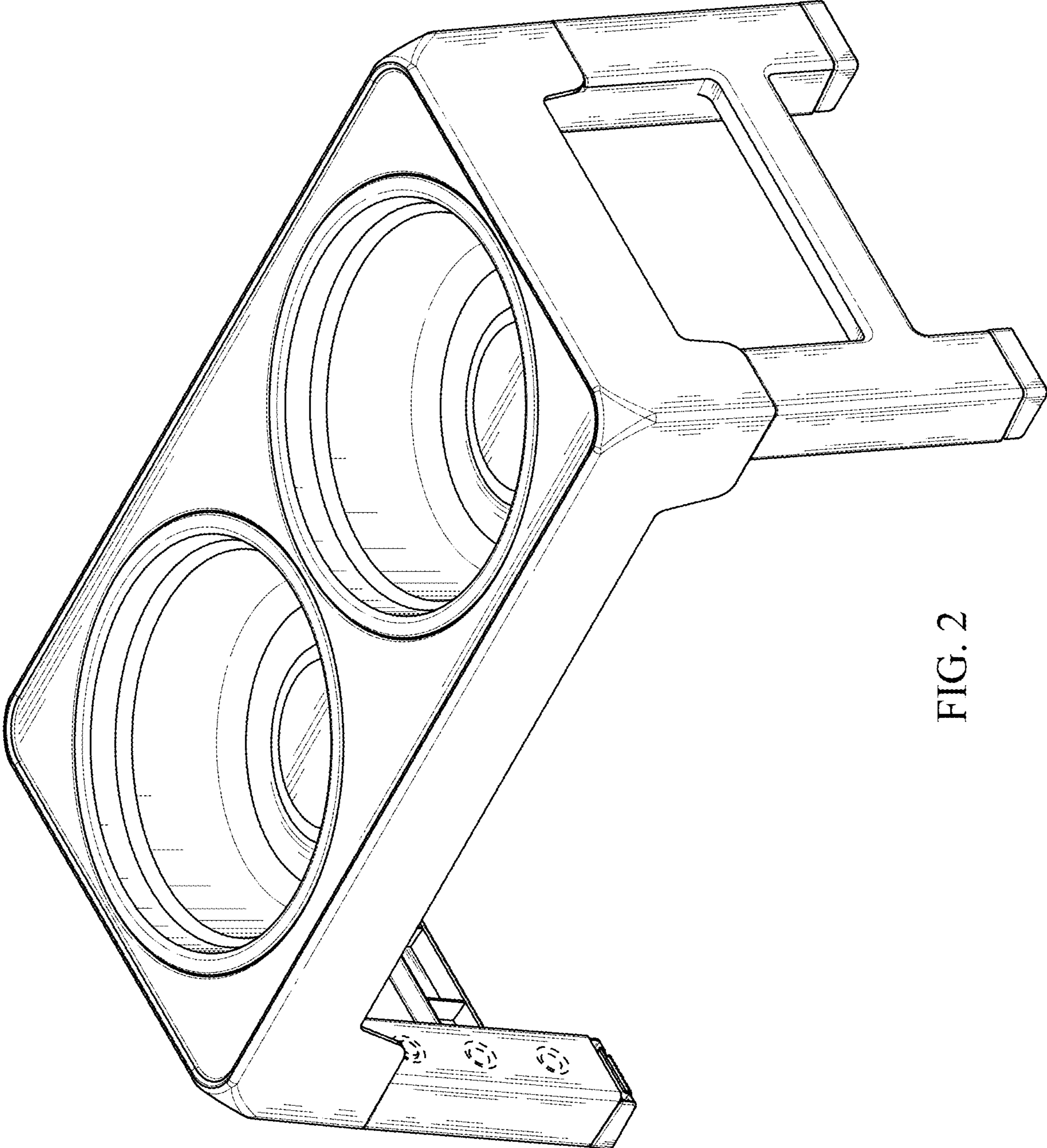


FIG. 2

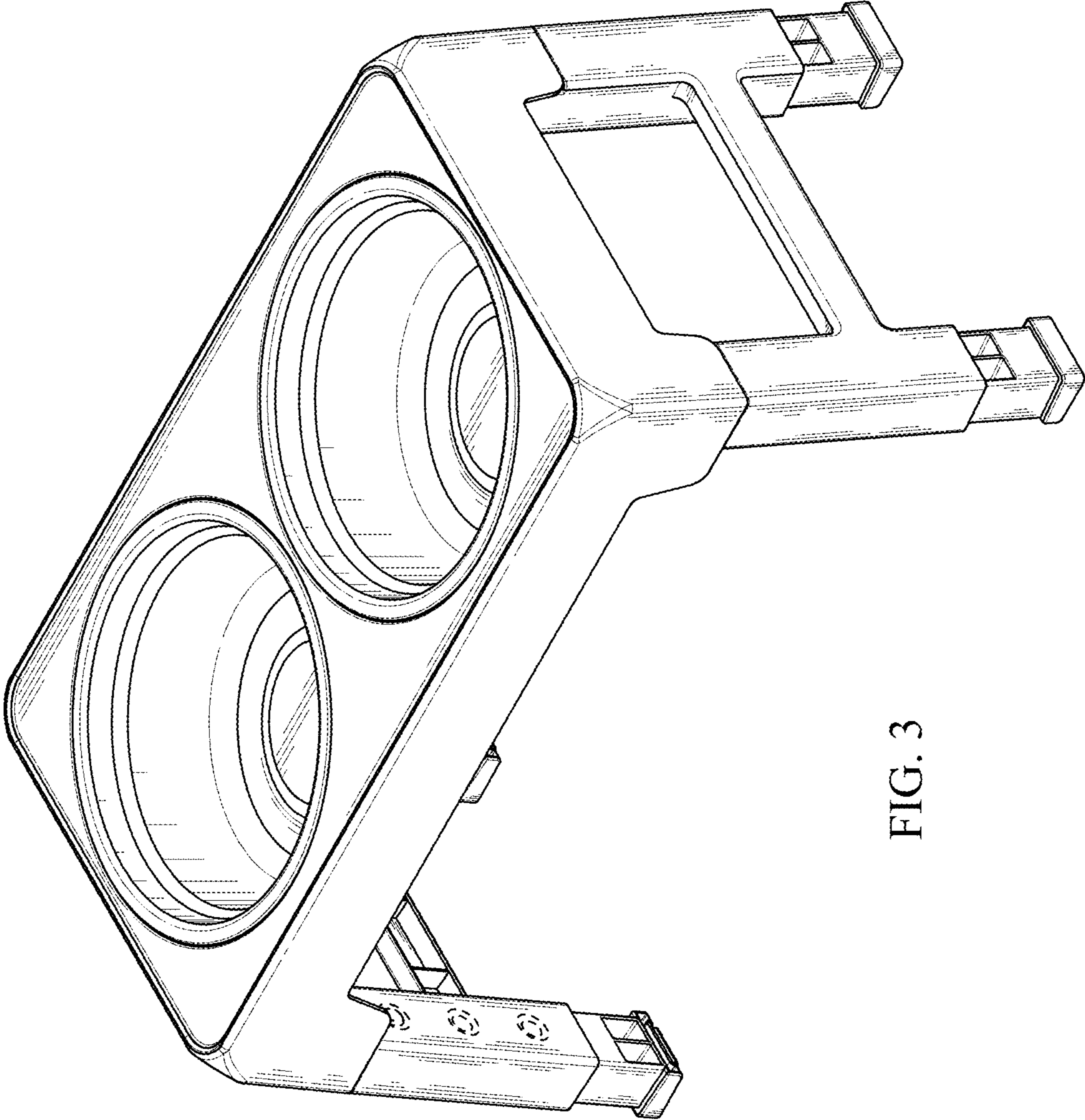


FIG. 3

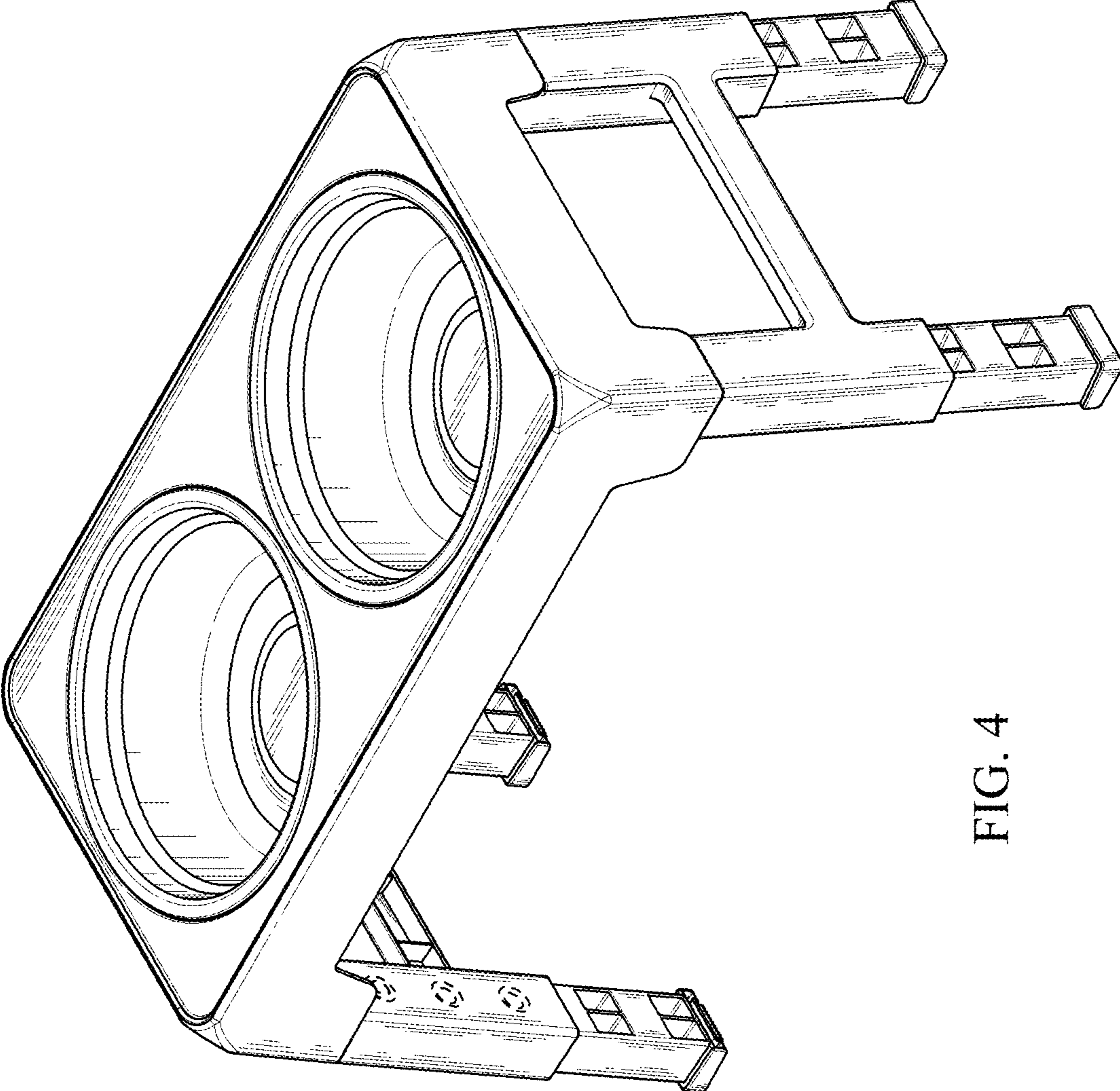


FIG. 4

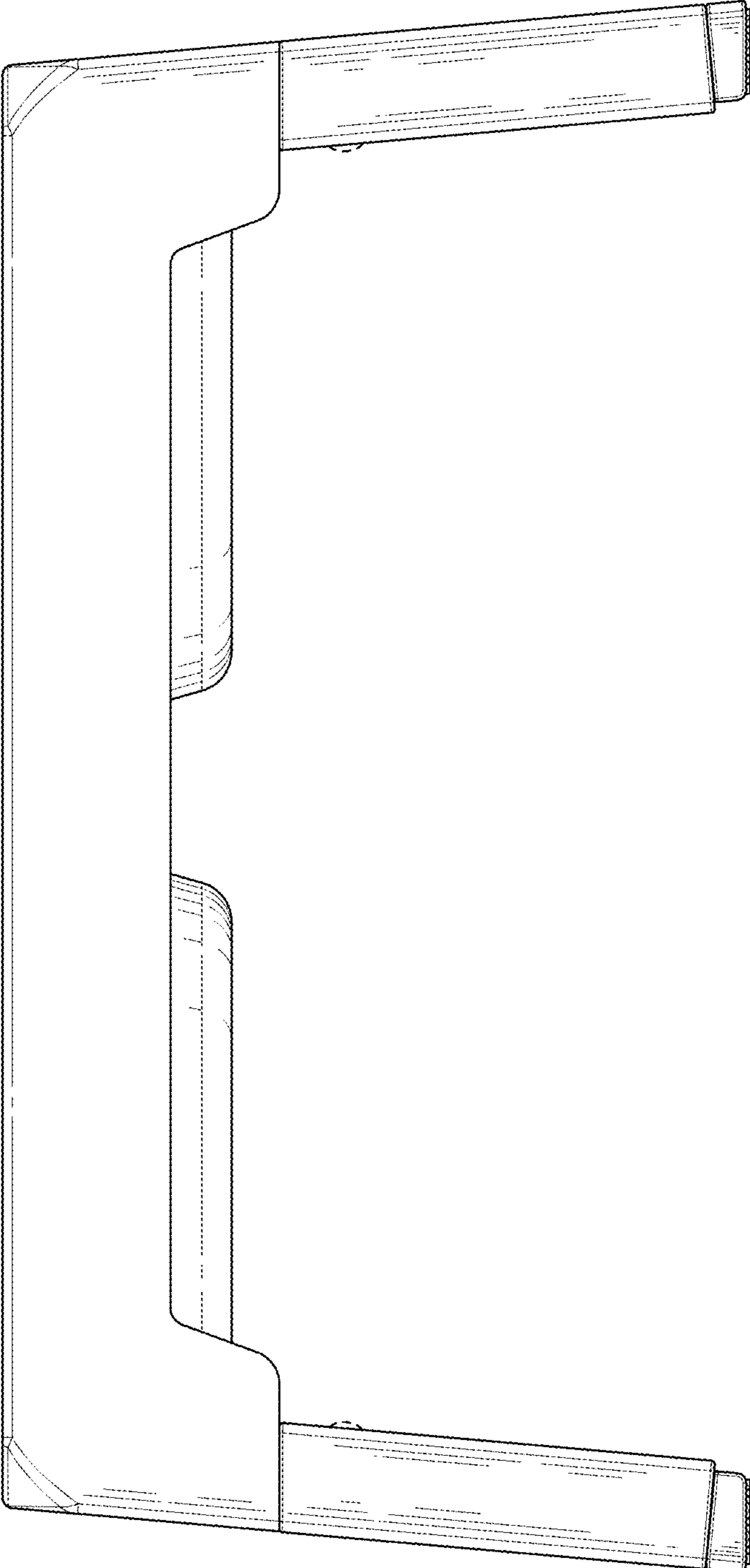


FIG. 5

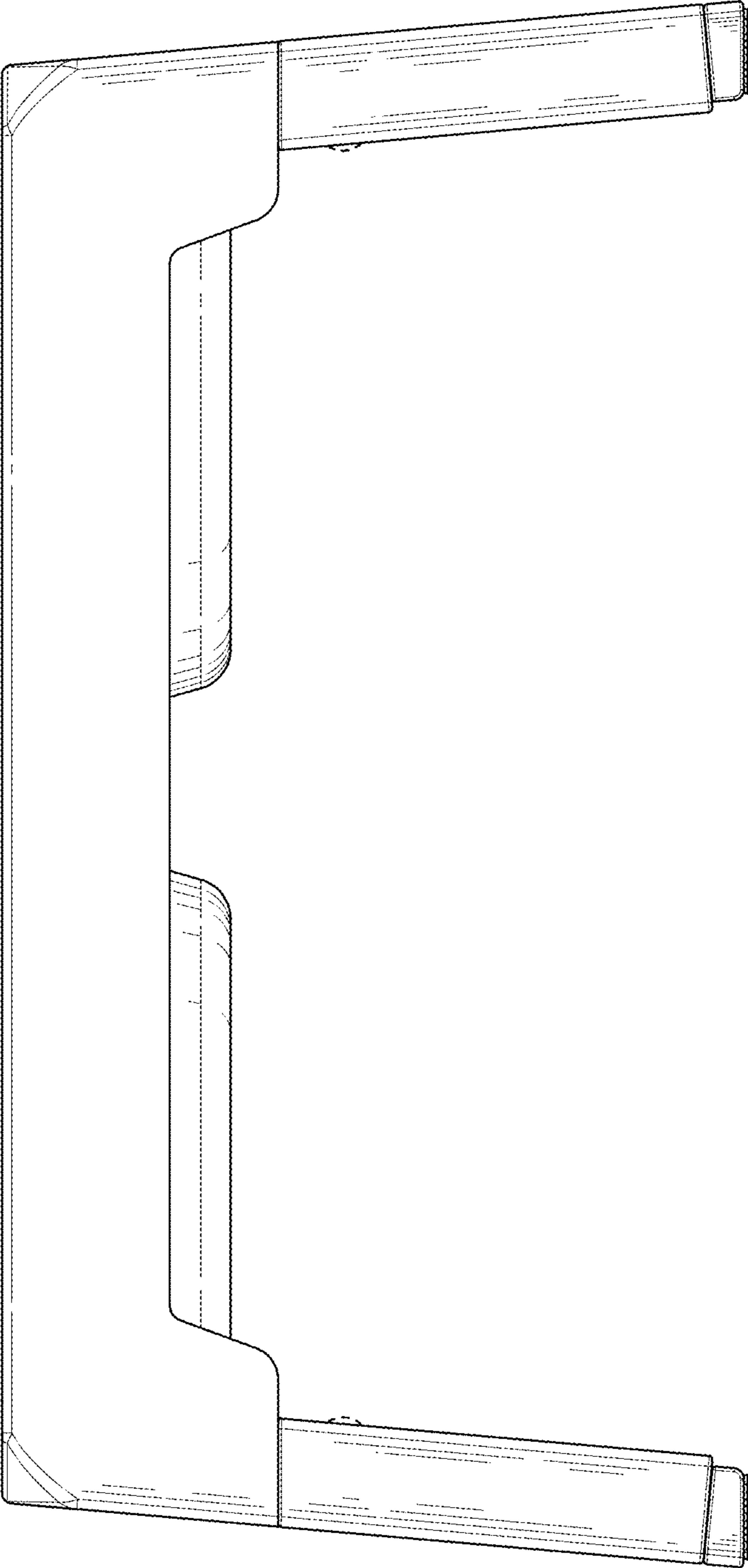


FIG. 6

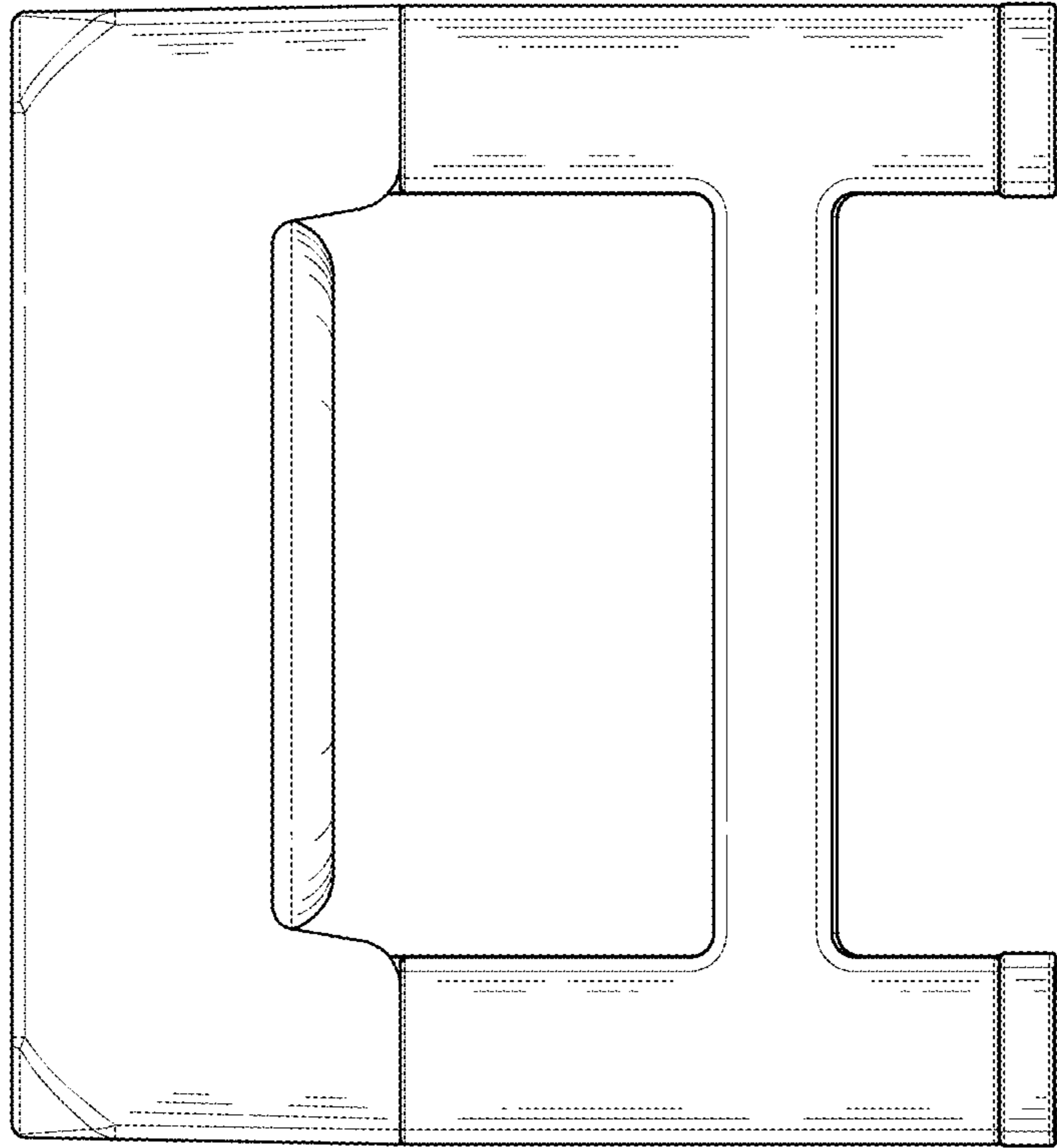


FIG. 7

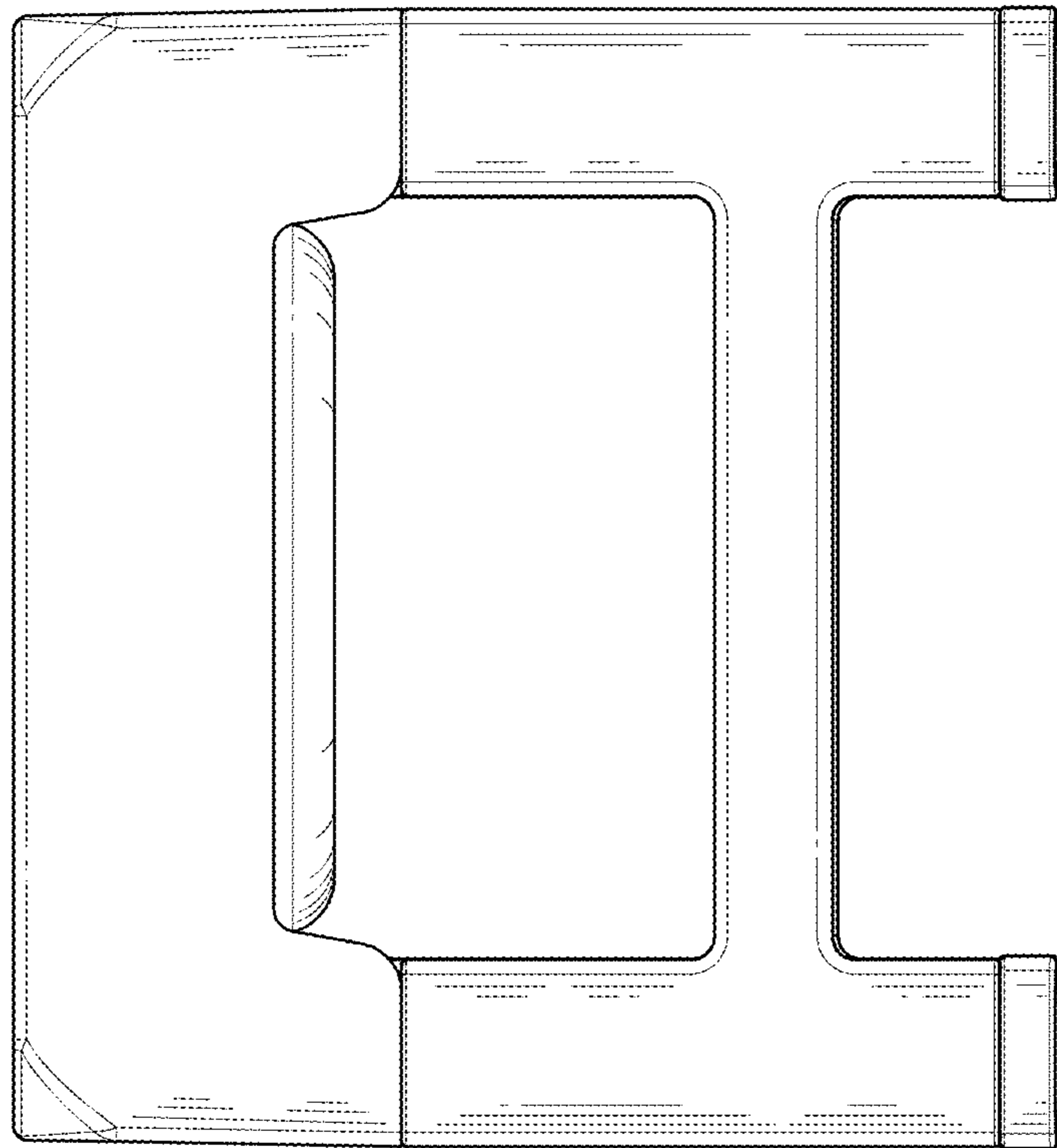


FIG. 8

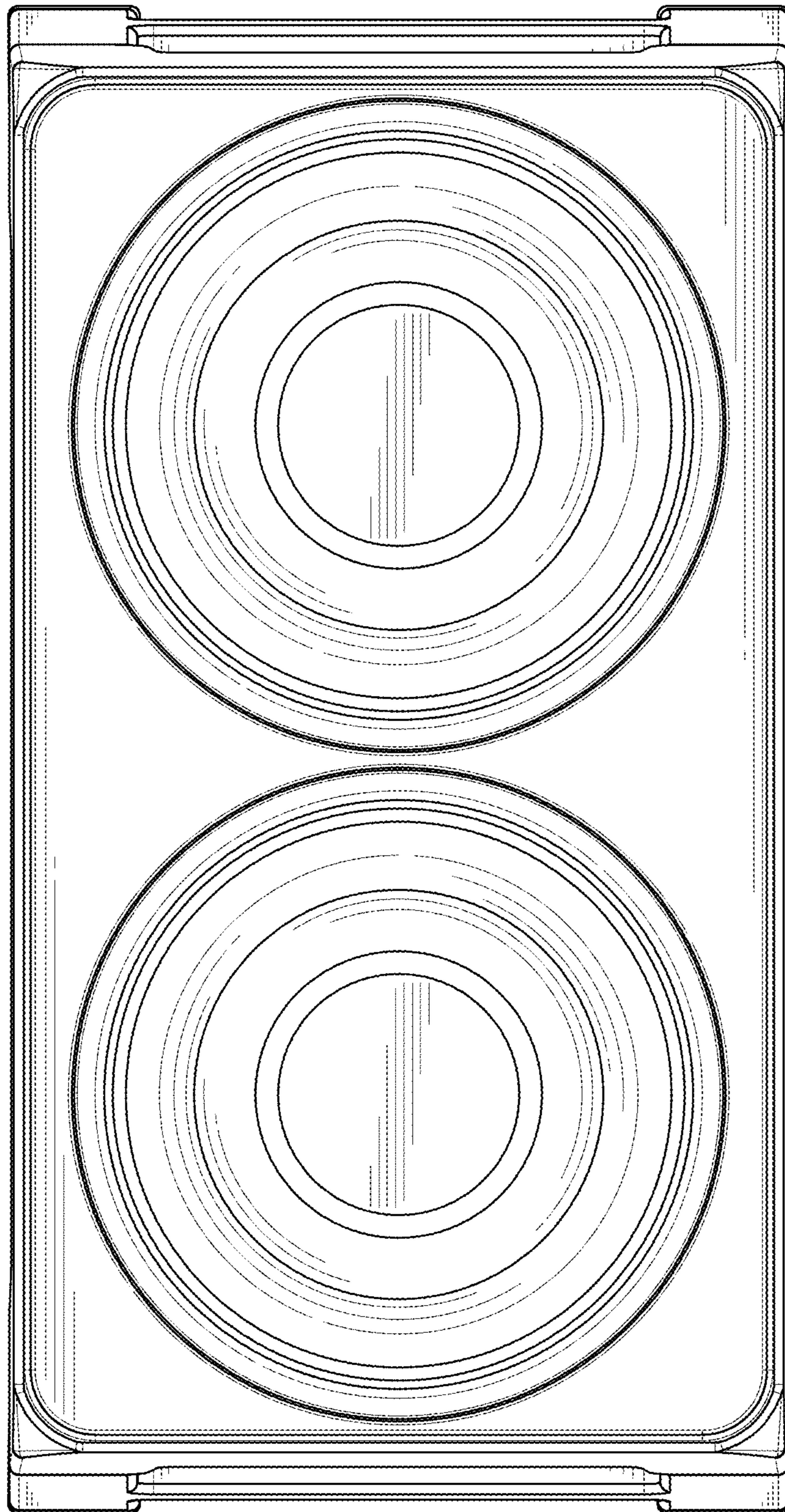


FIG. 9

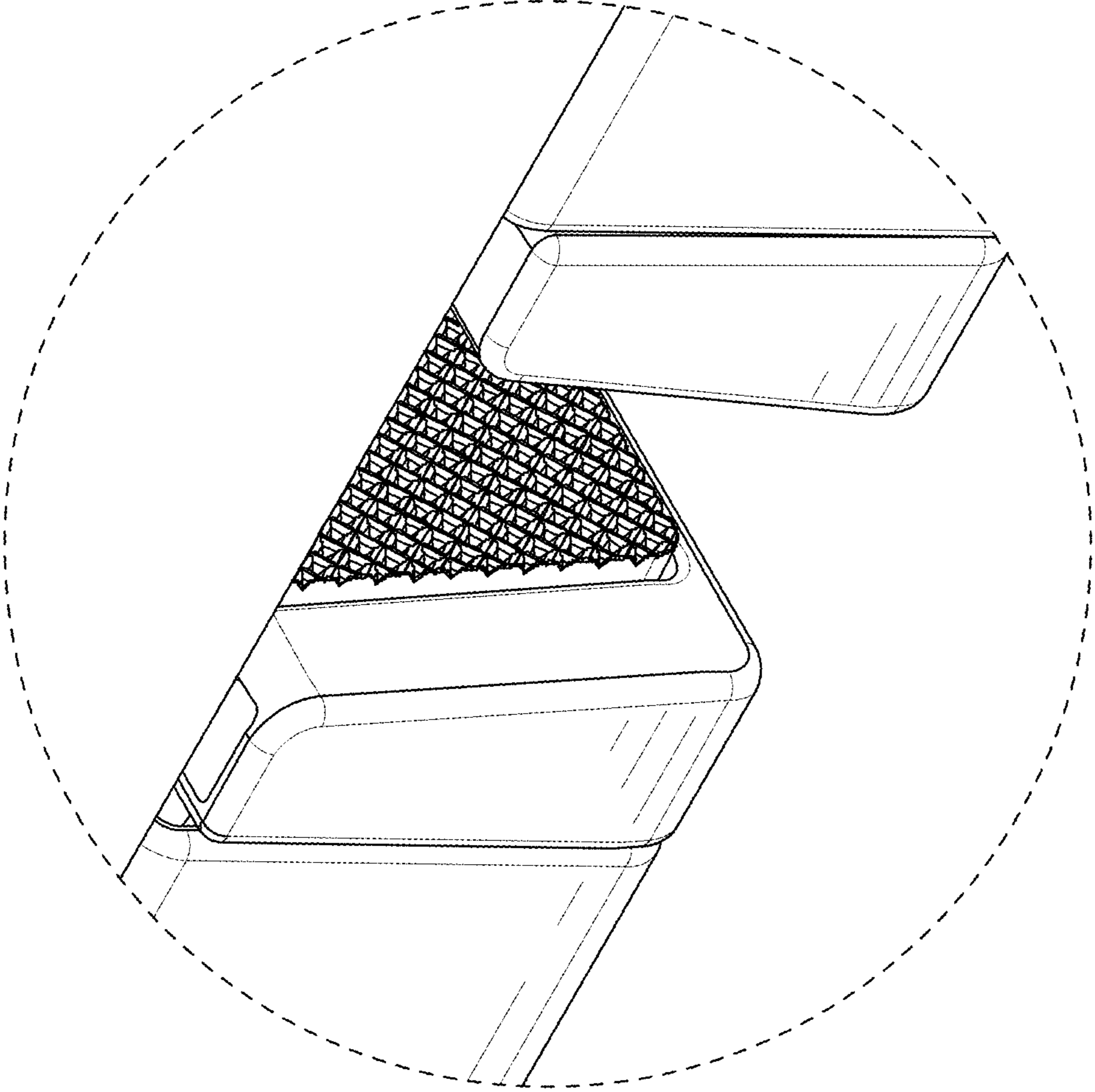


FIG. 10